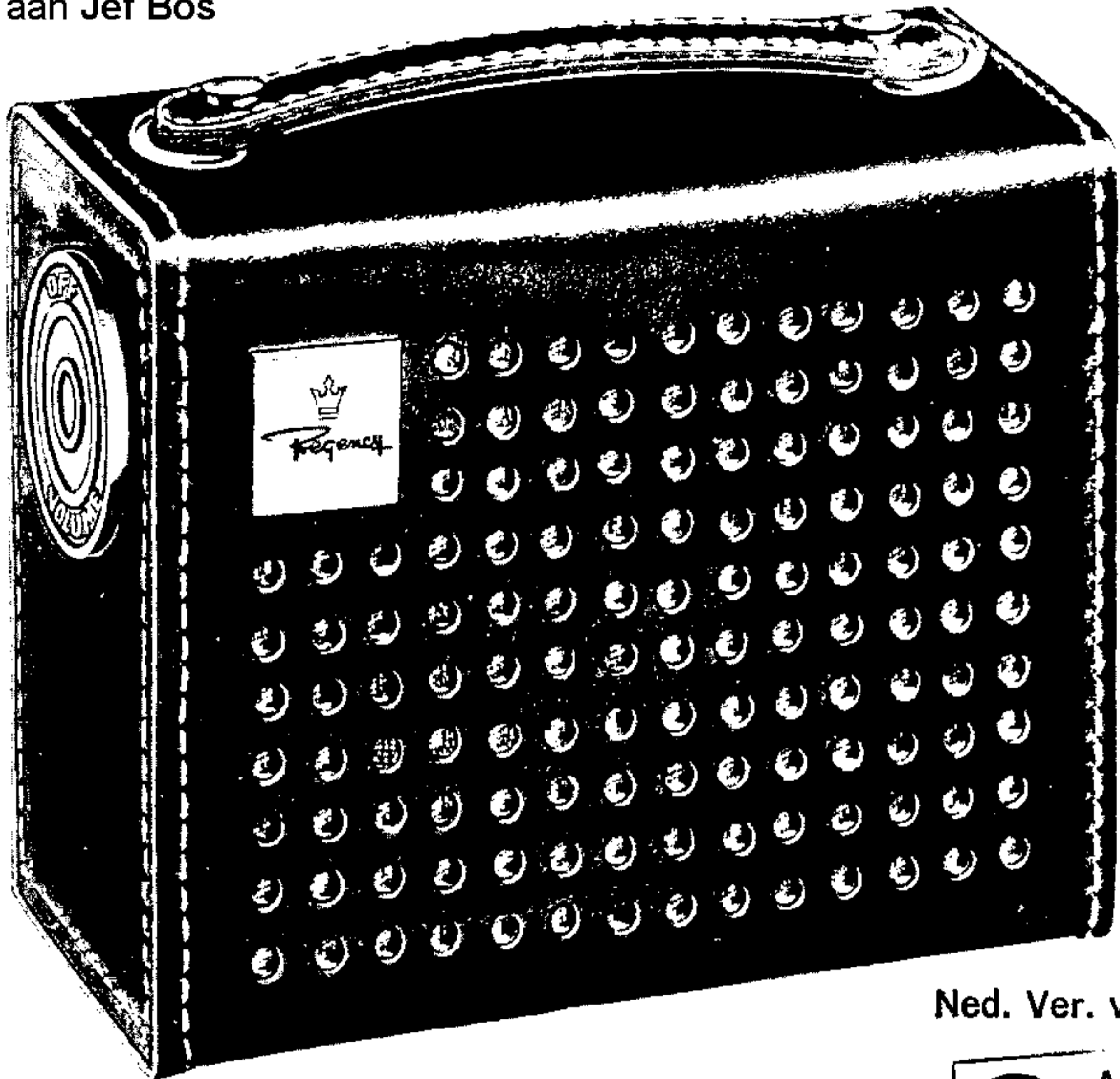




Met dank aan Jef Bos



Ned. Ver. v. Historie



TRADE NAME Regency Model TR-6
MANUFACTURER Regency Div., I. D. E. A. Inc., 7900 Pendleton Pike, Indianapolis, 26, Ind.
TYPE SET Battery Operated Portable Transistorized AM Receiver
POWER SUPPLY 9 Volts DC **RATING** 6.4 MA @ 9 Volts DC
TUNING RANGE—BROADCAST 535KC-1630KC

ALIGNMENT INSTRUCTIONS—READ CAREFULLY BEFORE ATTEMPTING ALIGNMENT

Volume control should be at maximum position. Output of signal generator should be no higher than necessary to obtain an output reading. Use an insulated alignment screwdriver for adjusting.

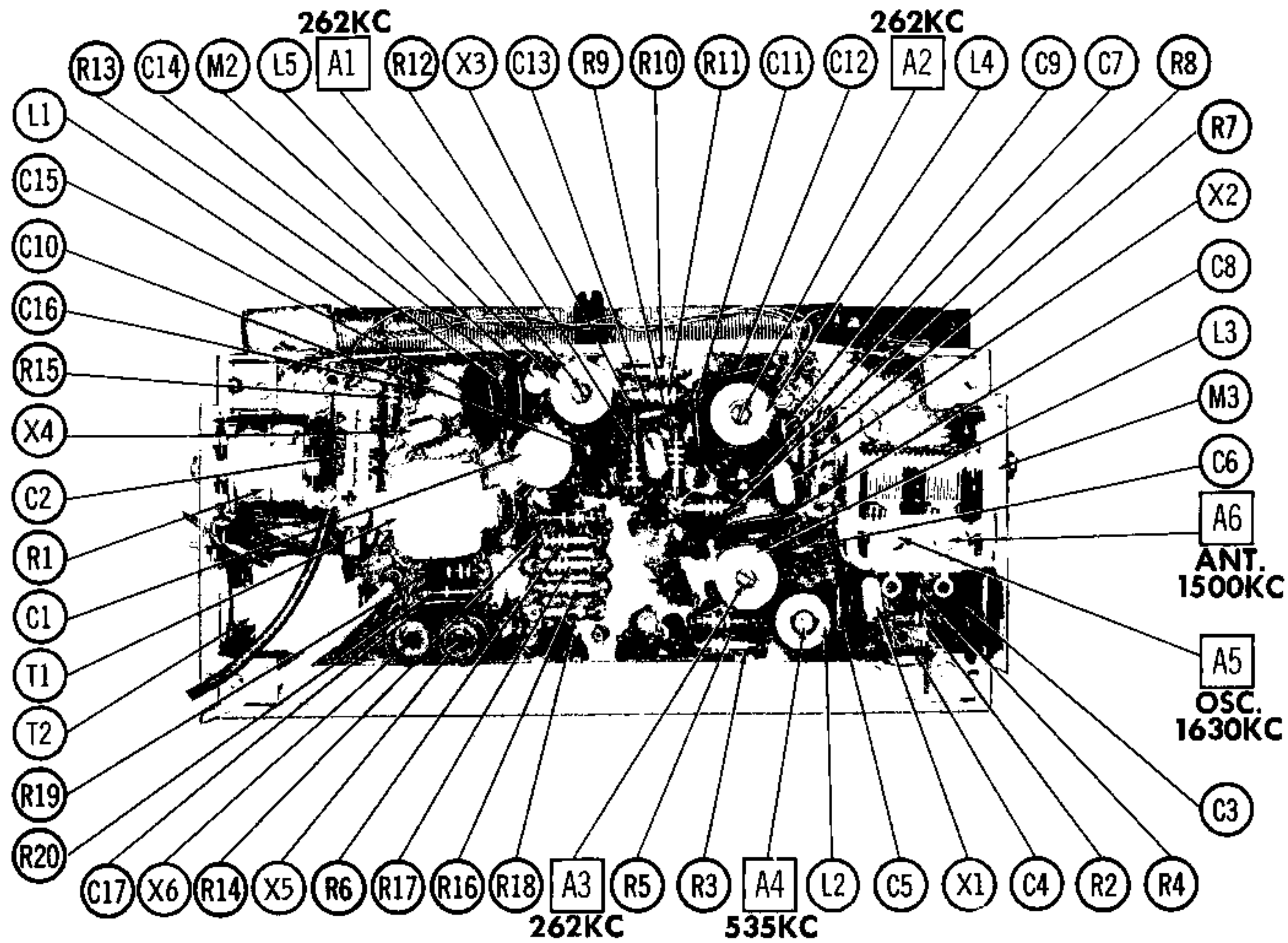
DUMMY ANTENNA	SIGNAL GENERATOR COUPLING	SIGNAL GENERATOR FREQUENCY	RADIO DIAL SETTING	OUTPUT METER	ADJUST	REMARKS
1.	Loop	262KC (400%Mod)	Tuning gang fully open	Across voice coil	A1, A2, A3	Fashion loop of several turns of wire and radiate signal into loop of receiver. Adjust for maximum output.
2.	"	535KC	Tuning gang fully closed	"	A4	"
3.	"	1630KC	Tuning gang fully open	"	A5	Fashion loop of several turns of wire and radiate signal into loop of receiver. Adjust for maximum output. Repeat steps 2 and 3.
4.	"	1500KC	Tune to 1500KC signal	"	A6	Fashion loop of several turns of wire and radiate signal into loop of receiver. Adjust for maximum output.

With tuning gang fully open, freq. range should extend to 1630KC. If not, repeat steps 3 and 4.

HOWARD W. SAMS & CO., INC. • Indianapolis 5, Indiana

"The listing of any available replacement part herein does not constitute in any case a recommendation, warranty or guaranty by Howard W. Sams & Co., Inc., as to the quality and suitability of such replacement part. The numbers of these parts have been compiled from information furnished to Howard W. Sams & Co., Inc., by the manufacturers of the particular type of replacement part listed."
 "Reproduction or use, without express permission, of editorial or pictorial con- G697

tent, in any manner, is prohibited. No patent liability is assumed with respect to the use of the information contained herein. Copyright 1957 by Howard W. Sams & Co., Inc., Indianapolis 5, Indiana, U. S. of America. Copyright under international Copyright Union. All rights reserved under Inter-American Copyright Union (1910) by Howard W. Sams & Co., Inc." Printed in U. S. of America



CHASSIS TOP VIEW

PARTS LIST AND DESCRIPTIONS

TRANSISTORS

ITEM No.	USE	REGENCY PART No.	NOTES
X1	Converter	100-875-4	Type 2N172
X2	1st. IF Amplifier	100-875-5	
X3	2nd. IF Amplifier	100-875-5	

ITEM No.	USE	REGENCY PART No.	NOTES
X4	AF Amplifier	100-875-6	Type 310 or 616
X5	Output	100-875-7	Note 1
X6	Output	100-875-7	Note 1

Note 1. Type 353, 621GE, 2N186 or 2N187 may be used. Type 353 must be replaced as matched units. When replacing X5 or X6 use original type.

ELECTROLYTIC CAPACITORS

ITEM No.	RATING		REPLACEMENT DATA						
	CAP.	VOLT.	REGENCY PART No.	AEROVOX PART No.	CORNELL-DUBILIER PART No.	MALLORY PART No.	PYRAMID PART No.	SANGAMO PART No.	SPRAGUE PART No.
C1A	15	10	300-590						
B	50	10							
C	50	10							
C2	2	10	300-109-7	SRE50V2	BBR2-50	TAW12A2	ML-2-15		TVA-1201

FIXED CAPACITORS

Capacity values given in the rating column are in mfd. for Paper Capacitors, and in mmfd. for Mica and Ceramic Capacitors.

ITEM No.	RATING		REGENCY PART No.	AEROVOX PART No.	CENTRALAB PART No.	CORNELL-DUBILIER PART No.	ERIE PART No.	MALLORY PART No.	SPRAGUE PART No.	NOTES
	CAP.	VOLT								
C3	20000	500	100-772-6	BPD-02	DD-203	K085	ED-02	DC511	5HK-S2	
C4	10000		20-075-22	BPD-01	DD-103	K082	ED-01			
C5	268		100-771-1							
C6	1000		20-075-21	BPD-001	DD-102	K069	ED-001	DC521	5HK-D1	
C7	10		100-772-5	NPO-D10	TCZ-10	Z018	TCO-10	ZT-541	5TCC-Q1	
C8	50000		100-772-7	BPD-05						
C9	1000		20-075-21	BPD-001	DD-102	K069	ED-001	DC521	5HK-D1	
C10	10		100-772-5	NPO-D10	TCZ-10	Z018	TCO-10	ZT-541	5TCC-Q1	
C11	50000		100-772-7	BPD-05						
C12	50000		100-772-7	BPD-05						
C13	1000		20-075-21	BPD-001	DD-102	K069	ED-001	DC521	5HK-D1	
C14	50000		100-772-7	BPD-05						
C15	50000		100-772-7	BPD-05						
C16	1000		20-075-21	BPD-001	DD-102	K069	ED-001	DC521	5HK-D1	
C17	50000		100-772-7	BPD-05						

Note 1. Not used in some versions.

CONTROLS

ITEM No.	RATING		REPLACEMENT DATA					INSTALLATION NOTES
	RESISTANCE	WATTS	REGENCY PART No.	CENTRALAB PART No.	CLAROSTAT PART No.	IRC PART No.	MALLORY PART No.	
R1A	2000Ω	1/2	300-587					Volume Attach to R1A
B	Switch							

RESISTORS

All wattages 1/2 watt, or less, unless otherwise listed.

ITEM No.	RATING		REPLACEMENT DATA		NOTES
	OHMS	WATT	REGENCY PART No.	IRC PART No.	
R2	12K			BTS-12K	Note 1
R3	56K			BTS-56K	
R4	2200Ω			BTS-2200	
R5	560Ω			BTS-560	
R6	68K			BTS-68K	
R7	220Ω			BTS-220	
R8	560Ω			BTS-560	
R9	39K			BTS-39K	
R10	2700Ω			BTS-2700	

ITEM No.	RATING		REPLACEMENT DATA		NOTES
	OHMS	WATT	REGENCY PART No.	IRC PART No.	
R11	390Ω			BTS-390	Note 2
R12	470Ω			BTS-470	
R13	100Ω			BTS-100	
R14	2700Ω			BTS-2700	
R15	12K			BTS-12K	
R16	2200Ω			BTS-2200	
R17	560Ω			BTS-560	
R18	100Ω			BTS-100	
R19	39Ω			BTS-39	
R20	10Ω			BTS-10	

Note 1. Some versions may use 470Ω in this application.

Note 2. Not used in some versions.

Note 3. Some versions may use 27Ω or 33Ω in this application.

PARTS LIST AND DESCRIPTIONS (Continued)

TRANSFORMER (INPUT)

ITEM No.	Resistance		REPLACEMENT DATA					NOTES
	PRI.	SEC.	REGENCY PART No.	Haldorson PART No.	Merit PART No.	Stancor PART No.	Thordarson PART No.	
T1	1250Ω	140Ω CT	300-586-1				TR-24	

TRANSFORMER (AUDIO OUTPUT)

ITEM No.	IMPEDANCE		REPLACEMENT DATA					NOTES
	PRI.	SEC.	REGENCY PART No.	Haldorson PART No.	Merit PART No.	Stancor PART No.	Thordarson PART No.	
T2	725Ω	3-4Ω	300-586-2				TR-29	

SPEAKER

ITEM No.	RATINGS			REPLACEMENT DATA			NOTES
	SIZE	FIELD	V. C. IMP.	REGENCY PART No.	QUAM PART No.	RCA TYPE No.	
SP1	4"	PM	3-4Ω	500-340	4A07	223S1	

COILS (RF-IF)

ITEM No.	USE	REPLACEMENT DATA				NOTES
		REGENCY PART No.	MEISSNER PART No.	MERIT PART No.	MILLER PART No.	
L1	Loop Stick	300-595				
L2	Osc. Coil	300-553				
L3	1st. IF Trans.	300-551-1				
L4	2nd. IF Trans.	300-555-2				
L5	3rd. IF Trans.	300-555-3				

BATTERIES

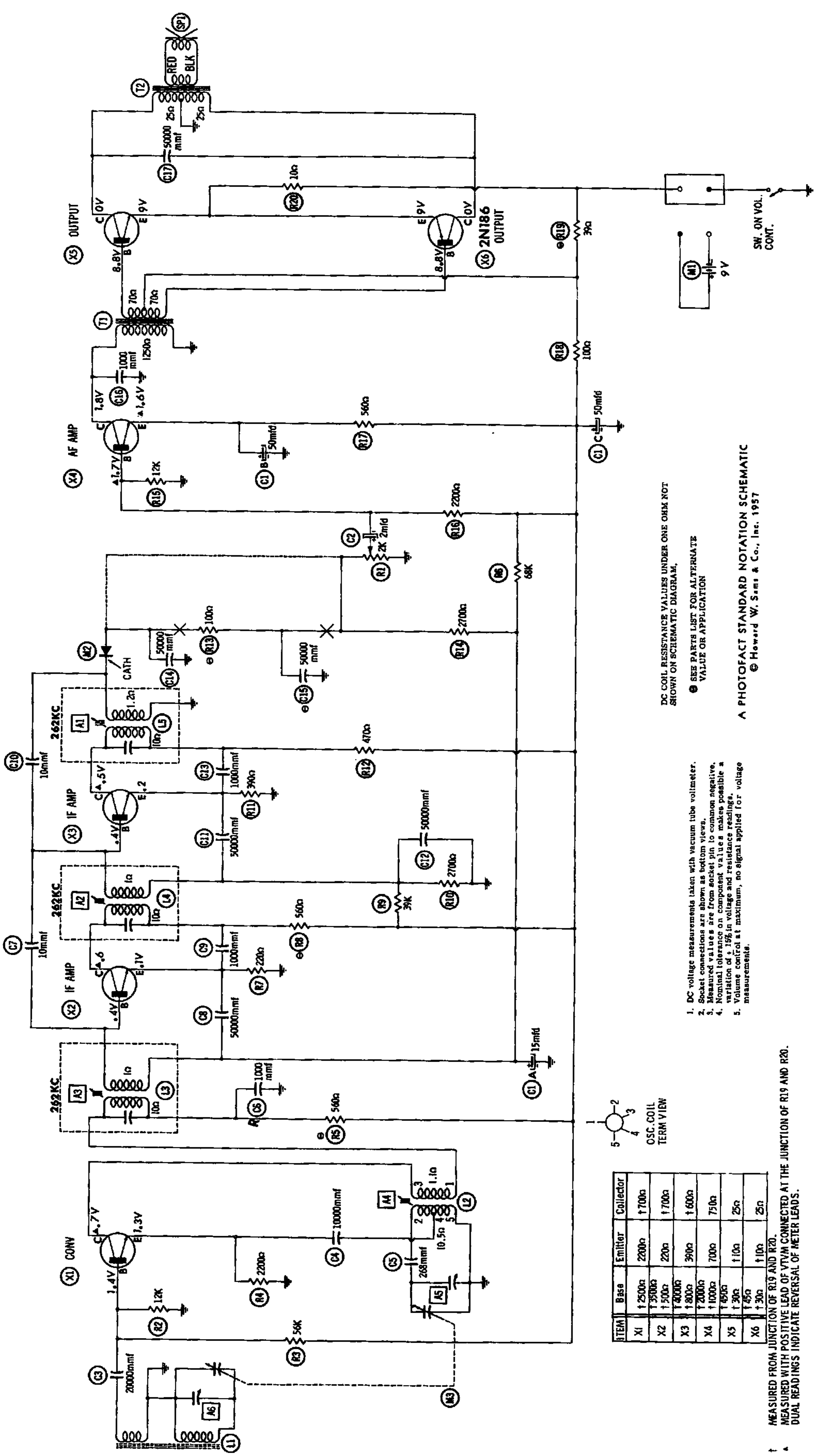
ITEM No.	VOLTAGE	REGENCY PART No.	REPLACEMENT DATA						INSTALLATION NOTES
			EVEREADY			BURGESS			
			"A"	"B"	"A-B"	"A"	"B"	"A-B"	
M1	9V	615					C6X		

CRYSTAL DIODES

ITEM No.	ORIG. TYPE	REPLACEMENT DATA		NOTES
		REGENCY PART No.	SYLVANIA PART No.	
M2	DR117TS	100-773	1N34A	Audio Detector (Pigtail)

MISCELLANEOUS

ITEM No.	PART NAME	REGENCY PART No.	NOTES
M3	Tuning Cap. Leather Case Knob Knob	300-585 100-887 300-556 300-581	2 Gang Includes grill cloth and name plate Tuning (Specify color) On-off-volume (specify color)



DC COIL RESISTANCE VALUES UNDER ONE OHM NOT SHOWN ON SCHEMATIC DIAGRAM.

SEE PARTS LIST FOR ALTERNATE VALUE OR APPLICATION

A PHOTOFACT STANDARD NOTATION SCHEMATIC © Howard W. Sams & Co., Inc. 1957

1. DC voltage measurements taken with vacuum tube voltmeter.
2. Socket connections are shown as bottom views.
3. Measured values are from socket pin to common negative.
4. Nominal tolerance on component value makes possible a variation of $\pm 15\%$ in voltage and resistance readings.
5. Volume control at maximum, no signal applied for voltage measurements.

ITEM	Base	Emitter	Collector
X1	$\uparrow 2500\Omega$	2200Ω	$\uparrow 700\Omega$
X2	$\uparrow 500\Omega$	220Ω	$\uparrow 700\Omega$
X3	$\uparrow 400\Omega$	390Ω	$\uparrow 600\Omega$
X4	$\uparrow 2000\Omega$	700Ω	750Ω
X5	$\uparrow 850\Omega$	110Ω	25Ω
X6	$\uparrow 30\Omega$	$\uparrow 10\Omega$	25Ω

1. MEASURED FROM JUNCTION OF R19 AND R20.
2. MEASURED WITH POSITIVE LEAD OF VTVM CONNECTED AT THE JUNCTION OF R19 AND R20. DUAL READINGS INDICATE REVERSAL OF METER LEADS.

