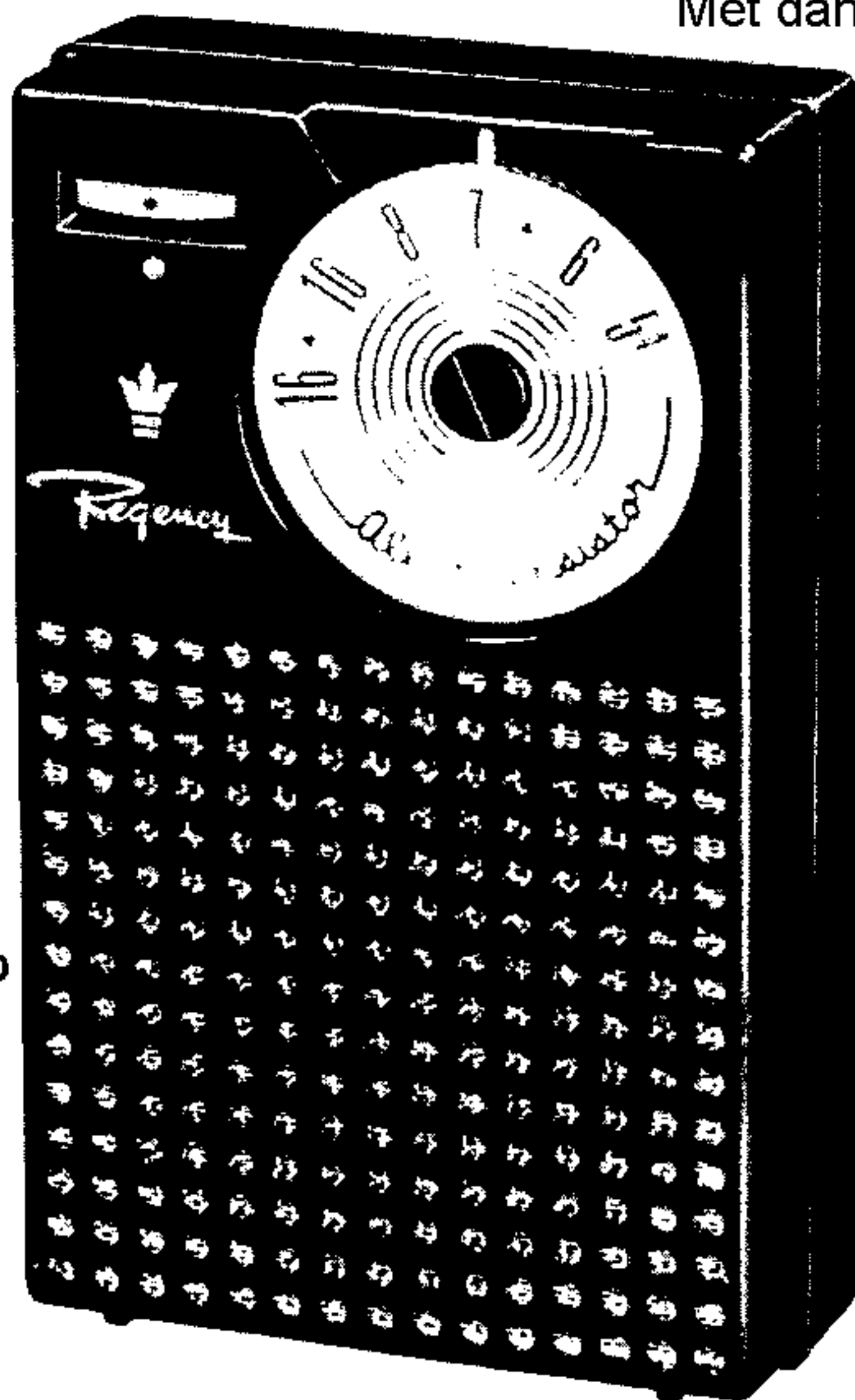




Met dank aan Jef Bos



. Ver. v. Historie v/d Radio



TRADE NAME		Regency Model TR-4				
MANUFACTURER		Regency Div., I. D. E. A., Inc., 7900 Pendleton Pike, Indianapolis 26, Indiana				
TYPE SET		Battery Operated Portable AM Transistorized Receiver				
POWER SUPPLY		9 Volts DC		RATING		9.4 MA @ 9 Volts DC
TUNING RANGE—BROADCAST		540KC-1630KC				
ALIGNMENT INSTRUCTIONS—READ CAREFULLY BEFORE ATTEMPTING ALIGNMENT						
Volume control should be at maximum position. Output of signal generator should be no higher than necessary to obtain an output reading. Use an insulated alignment screwdriver for adjusting.						
DUMMY ANTENNA	SIGNAL GENERATOR COUPLING	SIGNAL GENERATOR FREQUENCY	RADIO DIAL SETTING	OUTPUT METER	ADJUST	REMARKS
1.	Loop	455KC (400% Mod)	Tuning gang fully open	Across ear-phone jack	A1, A2, A3	Fashion loop of several turns of wire and radiate signal into loop of receiver. Adjust for maximum output.
2.	"	535KC	Tuning gang fully closed	"	A4	"
3.	"	1630KC	Tuning gang fully open	"	A5	Fashion loop of several turns of wire and radiate signal into loop of receiver. Adjust for maximum output.
4.	"	1500KC	Tune for maximum signal	"	A6	Fashion loop of several turns of wire and radiate signal into loop of receiver. Adjust for maximum output. With tuning gang fully open, frequency range should extend to 1630KC. If not, repeat step 3 and 4.

HOWARD W. SAMS & CO., INC. • Indianapolis 5, Indiana

The listing of any available replacement part herein does not constitute in any case a recommendation, warranty or guaranty by Howard W. Sams & Co., Inc., as to the quality and suitability of such replacement part. The numbers of these parts have been compiled from information furnished to Howard W. Sams & Co., Inc., by the manufacturers of H351

the particular type of replacement part listed. Reproduction or use, without express permission, of editorial or pictorial content, in any manner, is prohibited. No patent liability is assumed with respect to the use of the information contained herein. © 1957 Howard W. Sams & Co., Inc., Indianapolis 5, Indiana. Printed in U.S. of America

PARTS LIST AND DESCRIPTIONS

RE
MOI

TRANSISTORS

ITEM No.	ORIG. TYPE	USE	REPLACEMENT DATA			NOTES
			CBS PART No.	RAYTHEON PART No.	SYLVANIA PART No.	
X1	2N229	Converter	2N438		2N229	Alternate Types: 2N229, 2N306
X2	2N229	1st IF Amplifier	2N438		2N229	
X3	2N229	2nd IF Amplifier	2N438		2N229	
X4	2N213	Output	2N439		2N213	

ELECTROLYTIC CAPACITORS

ITEM No.	RATING		REPLACEMENT DATA						
	CAP.	VOLT.	REGENCY PART No.	AEROVOX PART No.	CORNELL-DUBILIER PART No.	MALLORY PART No.	PYRAMID PART No.	SANGAMO PART No.	SPRAGUE PART No.
C1	18	10	300-473-9	PWE10020	NL20-15	TT15X20	ML20-15		TE-1157
C2	2	10	300-473-8	PWE10002	NL2-0	TT12X2	ML2-15		
C3	40	10	300-473-10	PWE10040	NL50-10	TT10X50	ML40-15		R2329 *

* Non Catalog Item

FIXED CAPACITORS

Capacity values given in the rating column are in mfd. for Paper Capacitors, and in mmfd. for Mica and Ceramic Capacitors.

ITEM No.	RATING		REPLACEMENT DATA						NOTES	
	CAP.	VOLT	REGENCY PART No.	AEROVOX PART No.	CENTRALAB PART No.	CORNELL-DUBILIER PART No.	ERIE PART No.	MALLORY PART No.		SPRAGUE PART No.
C4	20000		100-772-2	BPD-02	DD-203	BYB6S2	ED-02		5HK-S2	①
C5	10000		20-075-22	BPD-01	DD-103	BYA6S1	ED-01	DC511	TG-S10	
C6	1000		095-71	BPD-001	DD-102	BYA6D1			5HK-D1	
C7	1000000		095-75							
C8	560000		095-74							
C9	1000		095-71	BPD-001	DD-102	BYA6D1		UC-5312	5HK-D1	
C10	120			BPD-00012	DD-121	L10T12	ED-120		5GA-T12	
C11	560000		095-74							
C12	560000		095-74							
C13	1000		095-71	BPD-001	DD-102	BYA6D1			5HK-D1	
C14	39			N750-SI 39	TCN-39	C10Q39U	TC7-39			
C15	20000		100-772-2	BPD-02	DD-203	BYB6S2	ED-02		5HK-S2	
C16	20000		100-772-2	BPD-02	DD-203	BYB6S2	ED-02		5HK-S2	
C17	1000		095-71	BPD-001	DD-102	BYA6D1			5HK-D1	

① Value may vary from 22MMF to 150MMF. Replace with original value.

CONTROLS

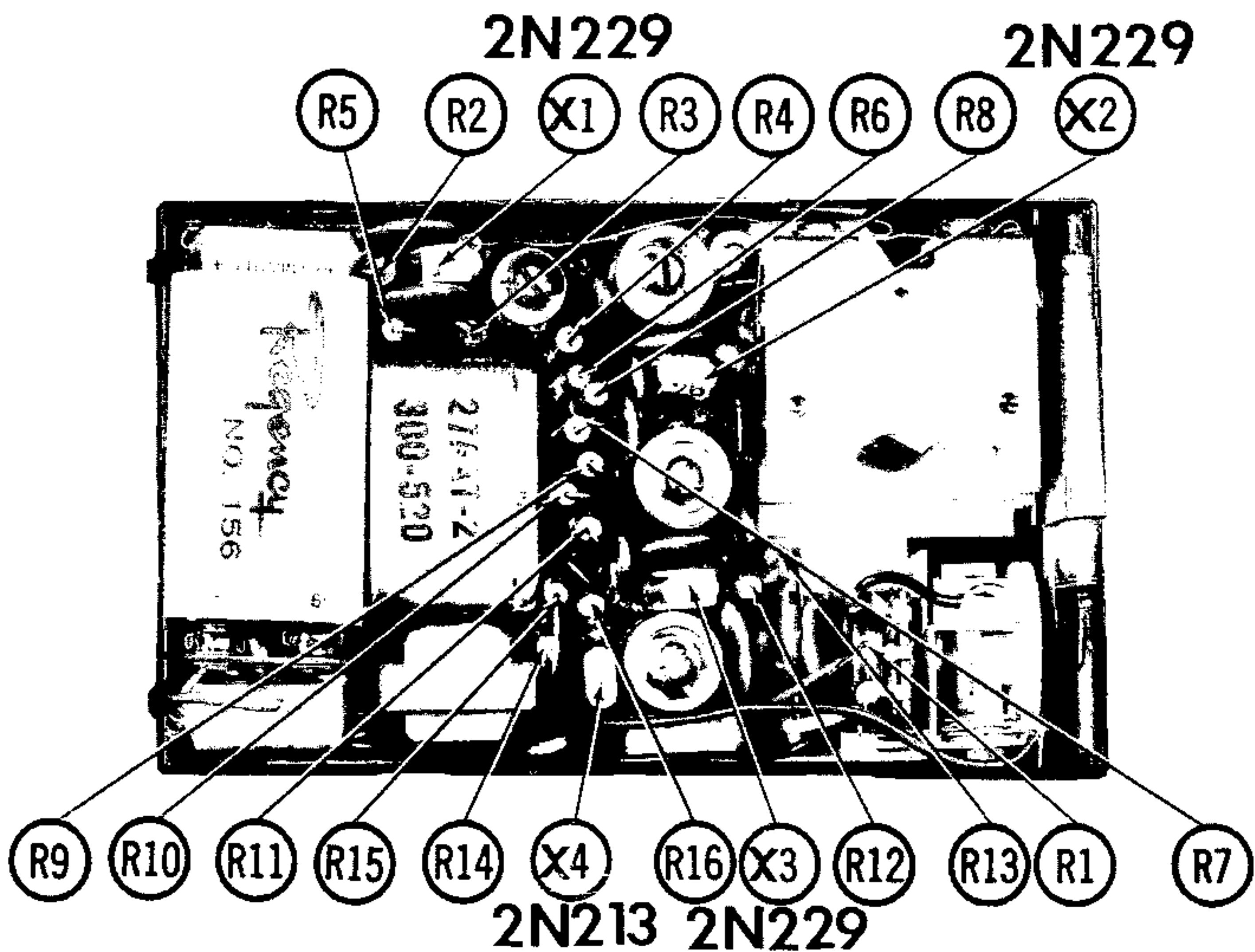
ITEM No.	RATING		REPLACEMENT DATA				INSTALLATION NOTES	
	RESISTANCE	WATTS	REGENCY PART No.	CENTRALAB PART No.	CLAROSTAT PART No.	IRC PART No.		MALLORY PART No.
R1	2000Ω	†	100-596-3					Volume & Switch

RESISTORS

All wattages 1/2 watt, or less, unless otherwise listed.

ITEM No.	RATING		REGENCY PART No.	NOTES	ITEM No.	RATING		REGENCY PART No.	NOTES
	OHMS	WATT				OHMS	WATT		
R2	12K				R9	2700Ω			
R3	56K				R10	68K			
R4	560Ω				R11	330Ω			
R5	2200Ω				R12	100Ω			
R6	88K				R13	2700Ω			
R7	560Ω				R14	1000Ω	5%		
R8	470Ω				R15	5800Ω	5%		
					R16	220Ω	5%		

CHASSIS—TOP VIEW



PARTS LIST AND DESCRIPTIONS (Continued)

TRANSFORMER (AUDIO OUTPUT)

ITEM No.	IMPEDANCE		REPLACEMENT DATA					NOTES
			REGENCY PART No.	Halldorson PART No.	Merit PART No.	Stancor PART No.	Thordarson PART No.	
	PRI.	SEC.						
T1	1500Ω	15Ω	101-049					

SPEAKER

ITEM No.	TYPE			REPLACEMENT DATA		NOTES
				REGENCY PART No.	QUAM PART No.	
	SIZE	FIELD	V. C. IMP.			
SP1	2 3/4"	PM	15Ω	300-520		

COILS (RF-IF)

ITEM No.	USE	REPLACEMENT DATA				NOTES
		REGENCY PART No.	MEISSNER PART No.	MERIT PART No.	MILLER PART No.	
L1	Loop Stick	300-687-1				
L2	Osc. Coll.	300-683-1				
L3	1st IF	300-682-1				
L4	2nd IF	300-682-2				
L5	3rd IF	300-682-3				

BATTERIES

ITEM No.	VOLTAGE	REGENCY PART No.	REPLACEMENT DATA								NOTES
			BURGESS		EVEREADY		MALLORY		RAY-O-VAC		
			"A"	"B"	"A"	"B"	"A"	"B"	"A"	"B"	
M1	9	158		2U6		216				1604	

CRYSTAL DIODES

ITEM No.	ORIG. TYPE	REPLACEMENT DATA			NOTES
		REGENCY PART No.	CBS PART No.	SYLVANIA PART No.	
M2	CK706A	095-91	1N64G	1N64	Detector (Pigtall)

MISCELLANEOUS

ITEM No.	PART NAME	REGENCY PART No.	NOTES
M3	Tuning Cap.	300-685-1	2 Gang (Ant. 8-130MMF)

CABINETS & CABINET PARTS

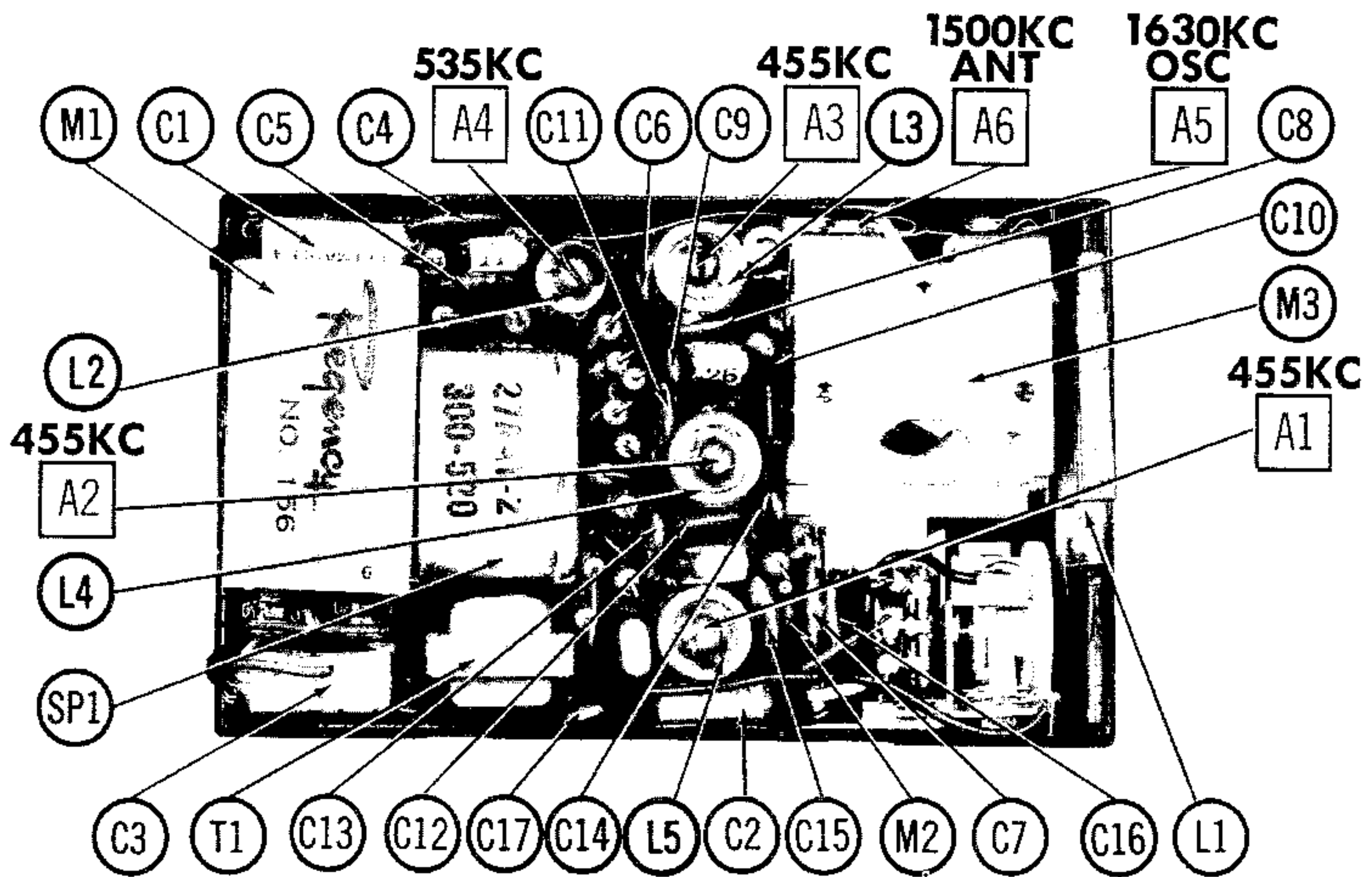
(When Ordering Cabinets & Cabinet Parts, Specify Model, Chassis & Color)

NAME	PART NO.	DESCRIPTION
Knob	101-031	Tuning
Knob	300-435-5	On-Off-Volume
Printed Board	500-377	
Chassis	500-327	
Chassis	500-327A	Includes Antenna Support & On-Off Switch
Case	095-12-14	Includes Grill Cloth (State Color)
Carrying Case	300-474	Leather

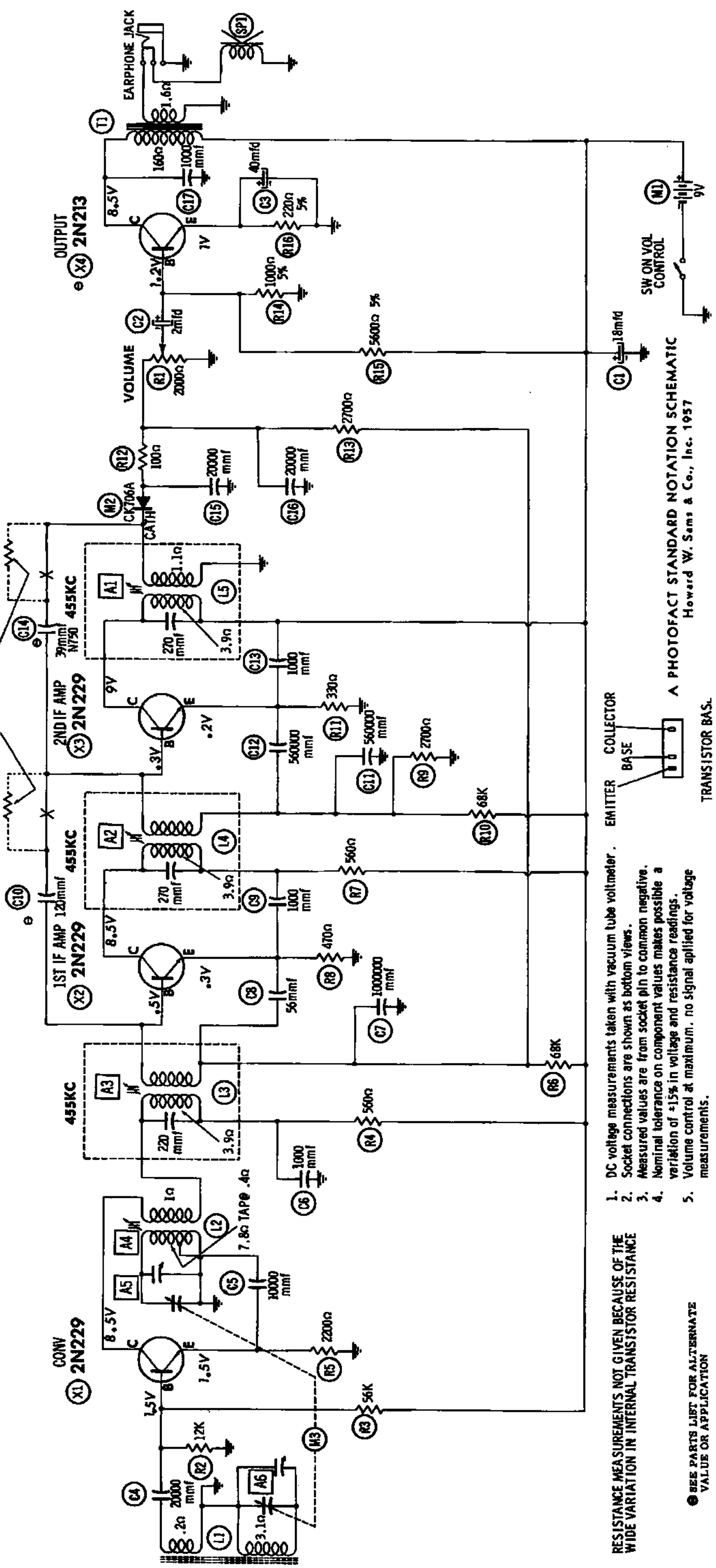
DISASSEMBLY INSTRUCTIONS

1. Turn tuning dial fully counterclockwise.
2. Remove screw from center of dial. Remove dial.
3. Remove screw located under tuning dial.
4. Remove chassis from case.
5. Straighten twisted lugs in the corners of the printed board.
6. Unsolder two connections, one to the tuning gang stator, the other to the twisted lug protruding from the chassis.
7. Printed board can now be moved to a position at right angle to the chassis.

CHASSIS—TOP VIEW



USED ONLY IN EARLY PRODUCTIONS

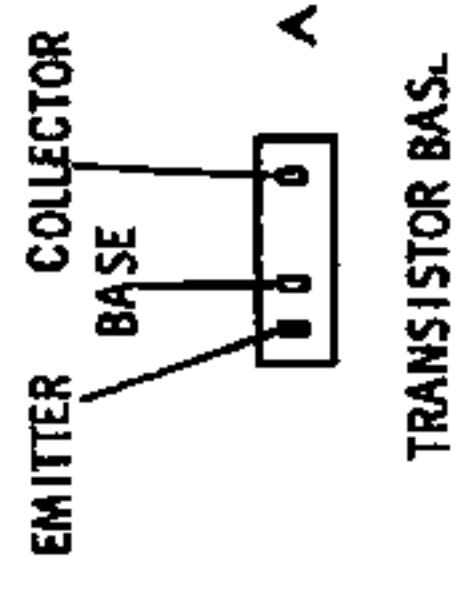


RESISTANCE MEASUREMENTS NOT GIVEN BECAUSE OF THE WIDE VARIATION IN INTERNAL TRANSISTOR RESISTANCE

1. DC voltage measurements taken with vacuum tube voltmeter.
2. Socket connections are shown as bottom views.
3. Measured values are from socket pin to common negative.
4. Nominal tolerance on component values makes possible a variation of $\pm 15\%$ in voltage and resistance readings.
5. Volume control at maximum. no signal applied for voltage measurements.

SEE PARTS LIST FOR ALTERNATE VALUE OR APPLICATION

DC COIL RESISTANCE VALUES UNDER ONE OHM NOT SHOWN ON SCHEMATIC DIAGRAM.



A PHOTOFACT STANDARD NOTATION SCHEMATIC
Howard W. Sams & Co., Inc. 1957