

PHOTOFACT* Folder

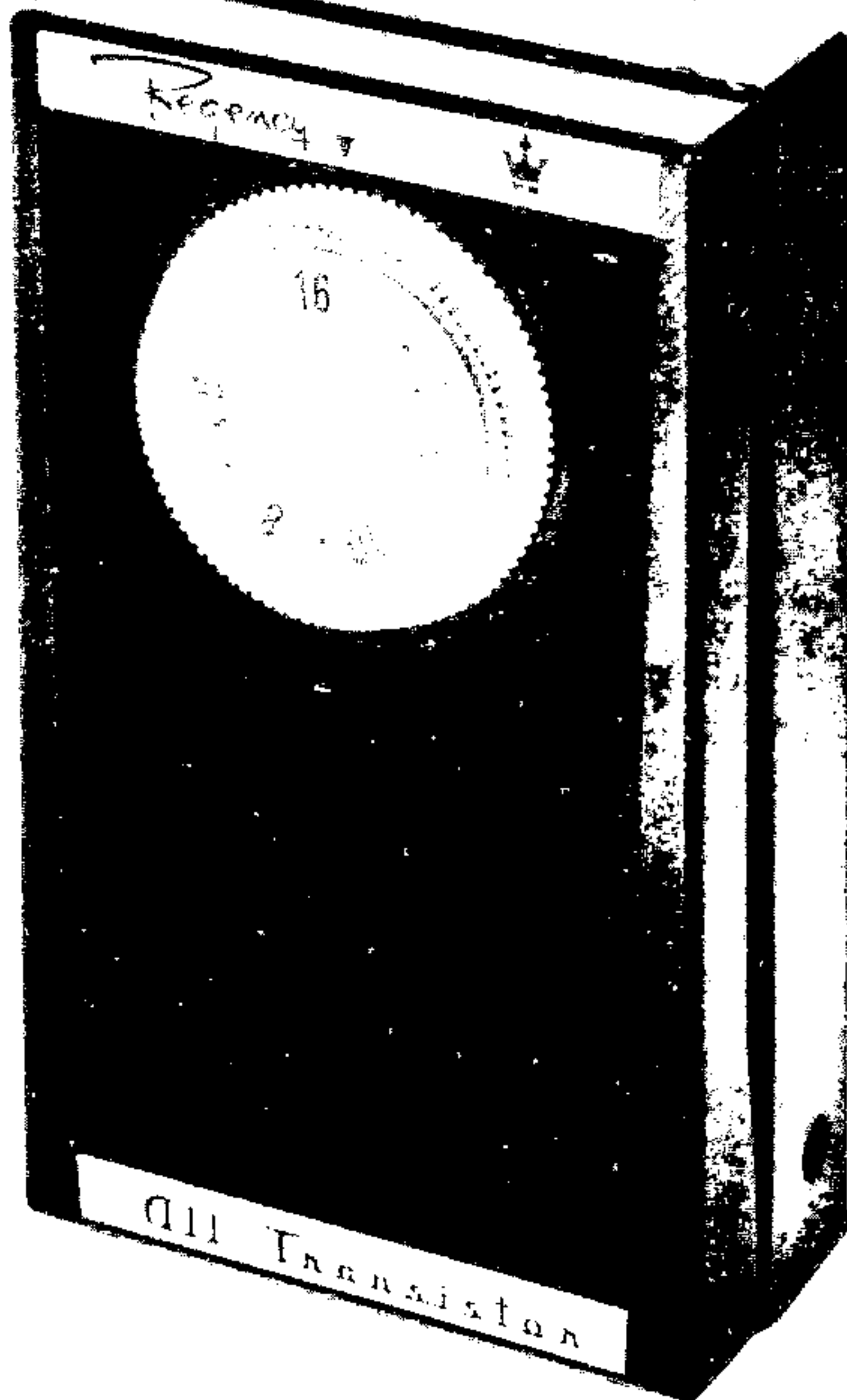
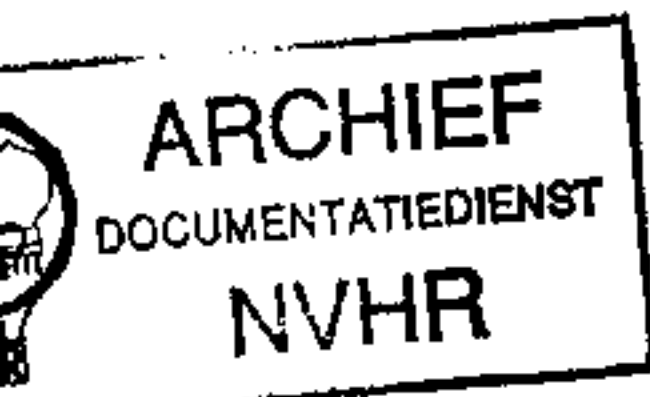


REGENCY
MODEL TR-11

with CIRCUITRACE

Met dank aan Jef Bos

Ver. v. Historie v/d Radio



TRADE NAME	Regency Model TR-11		
MANUFACTURER	Regency Div., I. D. E. A., Inc., 7900 Pendleton Pike, Indianapolis 26, Indiana		
TYPE SET	Battery Operated Portable Transistorized AM Receiver		
POWER SUPPLY	4.5 Volts DC	RATING	7MA @ 4.5 Volts DC (No Signal, Min. Volume)
TUNING RANGE—BROADCAST	535 - 1630KC		10MA @ 4.5 Volts DC (Signal, Normal Volume)

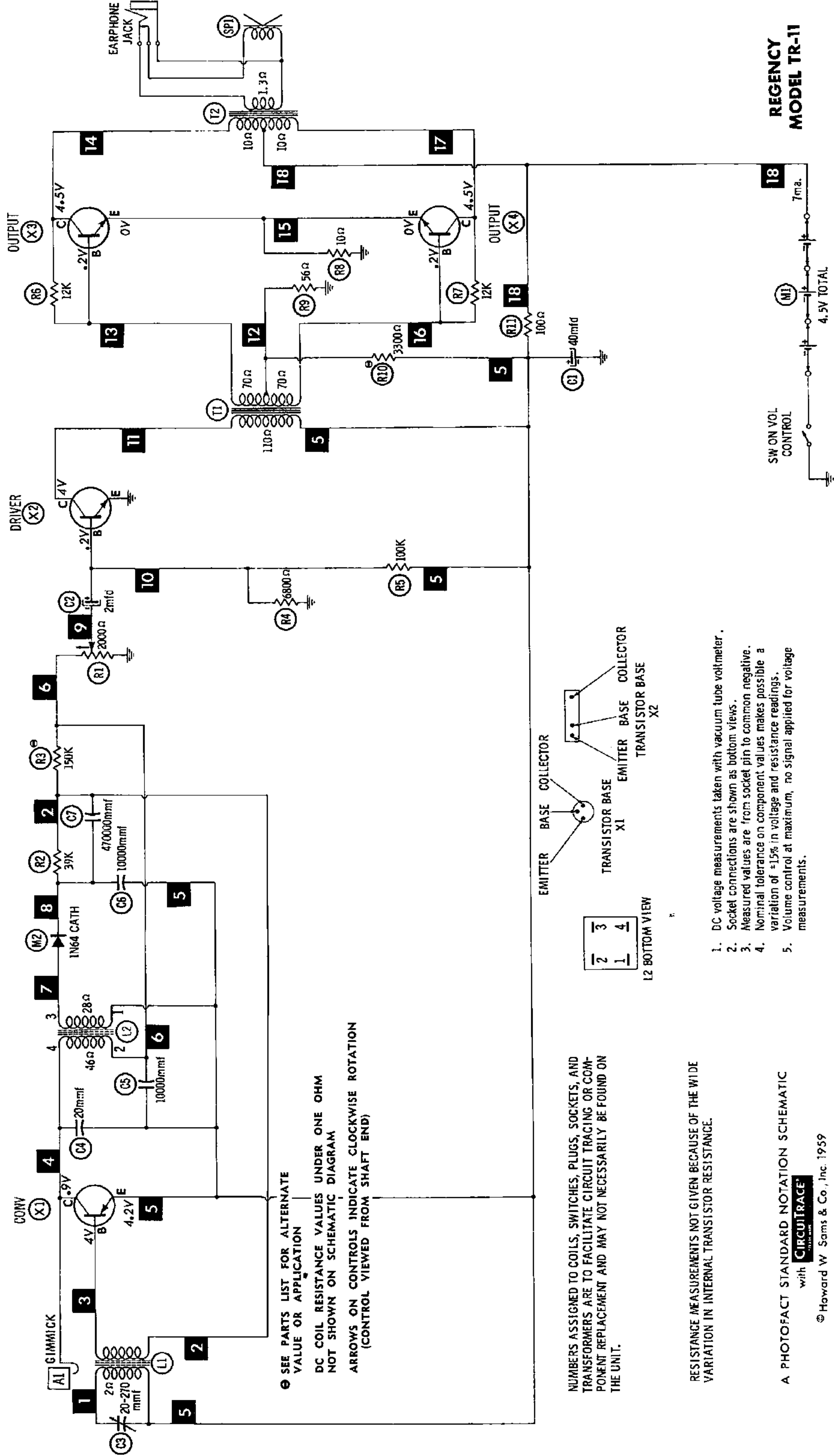
ALIGNMENT INSTRUCTIONS

DUMMY ANTENNA	SIGNAL GENERATOR COUPLING	SIGNAL GENERATOR FREQUENCY	RADIO DIAL SETTING	OUTPUT METER	ADJUST	REMARKS
1.	Loop	535KC (400v Mod.)	Low end of dial	Use speaker	L2	Fashion loop of several turns of wire and radiate signal into loop of receiver. Rotate L2 for maximum regeneration (below oscillation).
2.	"	1630KC	High end of dial	"	A1	Adjust gimmick (A1) for maximum regeneration (below oscillation).
3. Repeat steps 1 and 2 for maximum gain and sensitivity without oscillation throughout the tuning range.						

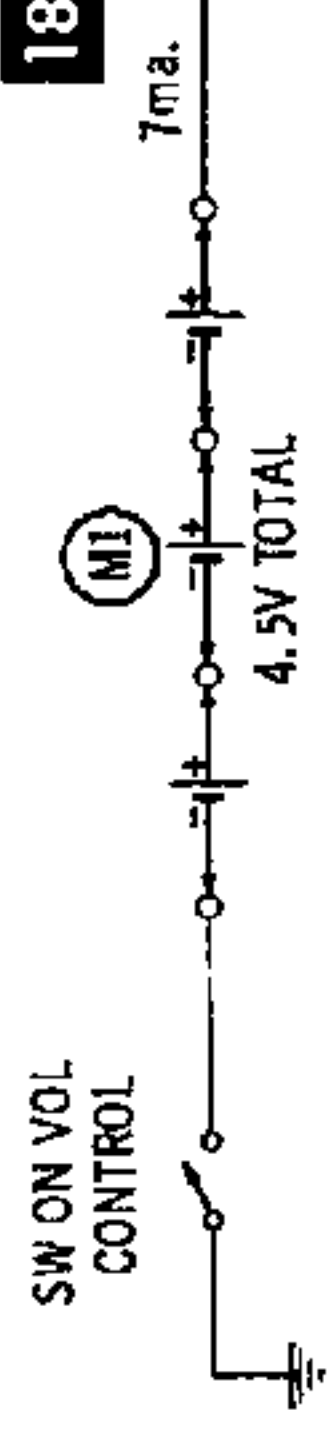
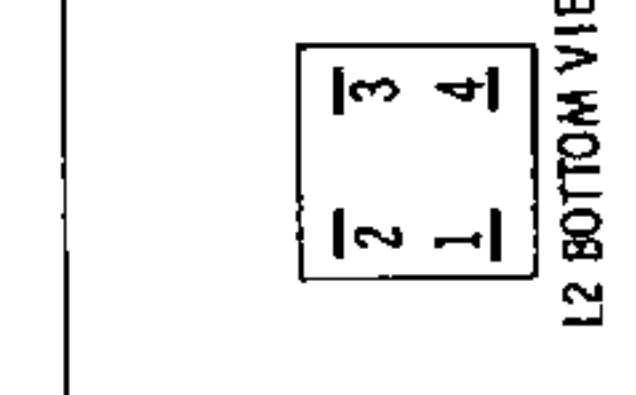
HOWARD W. SAMS & CO., INC. Indianapolis 6, Indiana

The listing of any available replacement part herein does not constitute in any case a recommendation, warranty or guaranty by Howard W. Sams & Co., Inc., as to the quality and suitability of such replacement part. The numbers of these parts have been compiled from information furnished to Howard W. Sams & Co., Inc., by the manufacturers of JF360

the particular type of replacement part listed. Reproduction or use, without express permission, of editorial or pictorial content, in any manner, is prohibited. No patent liability is assumed with respect to the use of the information contained herein. © 1959 Howard W. Sams & Co., Inc., Indianapolis 6, Indiana. Printed in U.S. of America



- 1. DC voltage measurements taken with vacuum tube voltmeter.
- 2. Socket connections are shown as bottom views.
- 3. Measured values are from socket pin to common negative.
- 4. Nominal tolerance on component values makes possible a variation of ±15% in voltage and resistance readings.
- 5. Volume control at maximum, no signal applied for voltage measurements.



PARTS LIST AND DESCRIPTIONS

TRANSISTORS

ITEM No.	REGENCY Part No.	USE	REPLACEMENT DATA				NOTES
			CBS PART No.	RCA PART No.	RAYTHEON PART No.	SYLVANIA PART No.	
X1	300-739	Converter					PNP NPN NPN NPN
X2	300-719	Driver					
X3	300-719	Output					
X4	300-719	Output					

ELECTROLYTIC CAPACITORS

ITEM No.	RATING		REPLACEMENT DATA						NOTES
	CAP.	VOLT.	REGENCY PART No.	AEROVOX PART No.	CORNELL-DUBILIER PART No.	MALLORY PART No.	PYRAMID PART No.	SPRAGUE PART No.	
C1	40	10	300-473-10	PWE10040	EC50-10	TT15X40	ML40-15	TE-1119	
C2	2	3	300-473-1	PWE3001	EC2-3	TT6X2	ML2-6	TE-1051	

FIXED CAPACITORS

Capacity values given in the rating column are in mfd. for Paper Capacitors, and in mmfd. for Mica and Ceramic Capacitors.

ITEM No.	RATING	REMARKS	REPLACEMENT DATA					
			AEROVOX PART No.	CENTRALAB PART No.	CORNELL-DUBILIER PART No.	ELMENCO PART No.	MALLORY PART No.	SPRAGUE PART No.
C3	20-270	#300-870						
C4	20		BPD-00002	DD-200	L10Q2	CCD-200	ZT-542	5GA-Q2
C5	10000		BPD-01	DD-103	H-05S1	CCD-103	TA-110	TG-S10
C6	10000		BPD-01	DD-103	H-05S1	CCD-103	TA-110	TG-S10
C7	470000			UK-474				

Regency Part Number.

CONTROLS

ITEM No.	RATING		REPLACEMENT DATA					INSTALLATION NOTES
	RESISTANCE	WATTS	REGENCY PART No.	CENTRALAB PART No.	CLAROSTAT PART No.	IRC PART No.	MALLORY PART No.	
R1	2000Ω	1/4	101-310-1					Volume and Switch

RESISTORS

All wattages 1/2 watt, or less, unless otherwise listed.

ITEM No.	RATING	REMARKS	ITEM No.	RATING	REMARKS	ITEM No.	RATING	REMARKS
R2	39K	(120K) *	R6	12K		R10	3300Ω	(2700Ω, 3900Ω, 4700Ω) *
R3	150K		R7	12K		R11	100Ω	
R4	6800Ω		R8	10Ω				
R5	100K		R9	56Ω				

* Alternate.

COILS (RF-IF)

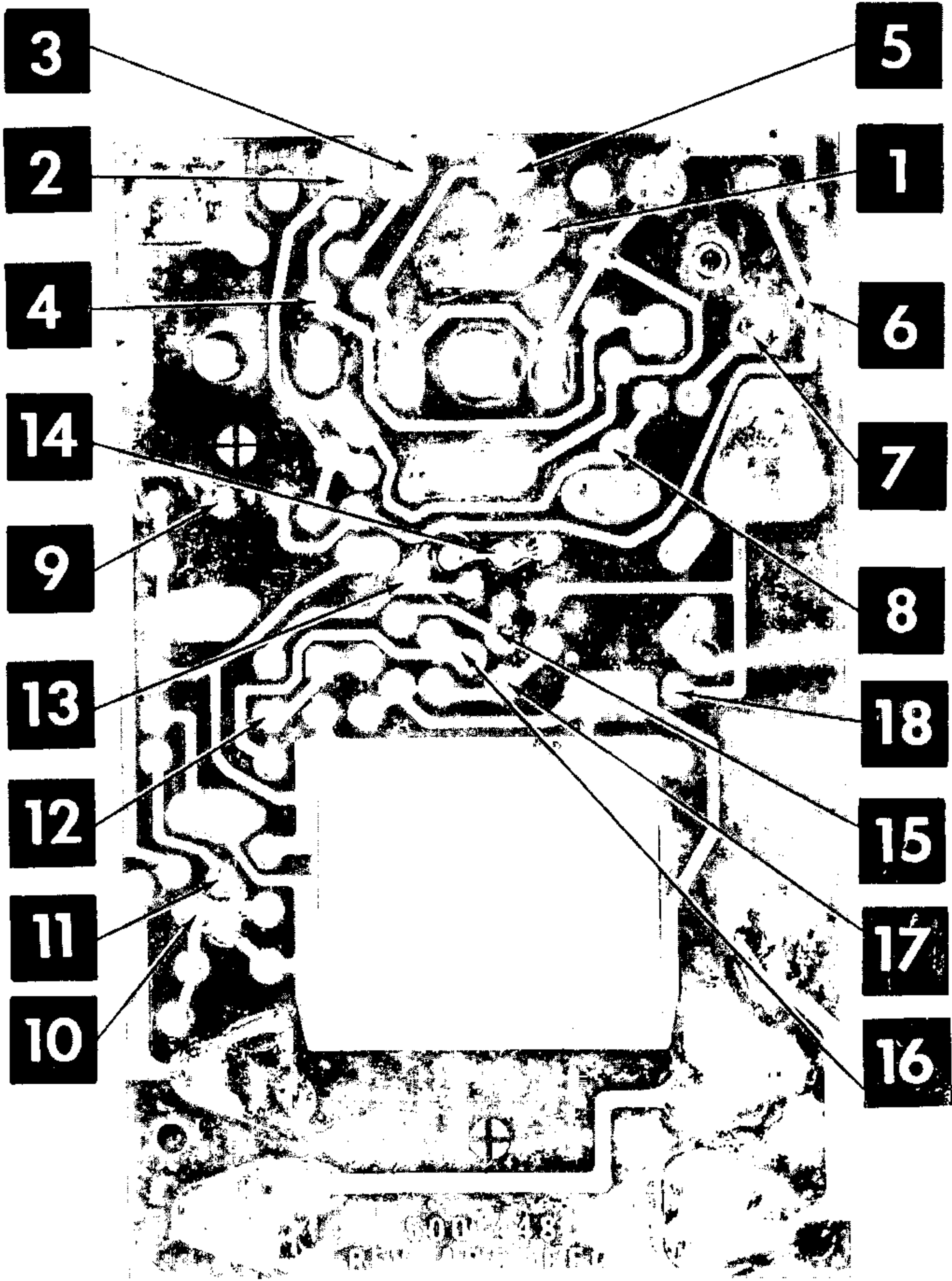
ITEM No.	USE	REPLACEMENT DATA						NOTES
		REGENCY PART No.	Gramer PART No.	Meissner PART No.	Merit PART No.	Miller PART No.	Ram PART No.	
L1	Loopstick	100-740-1						
L2	Det. Trans.	101-028						

TRANSFORMER (DRIVER)

ITEM No.	TURNS RATIO		REPLACEMENT DATA					NOTES
	PRI.	SEC.	REGENCY PART No.	Halldarson PART No.	Merit PART No.	Stancor PART No.	Thordarson PART No.	
T1	1	1	300-704A					

PRINTED BOARD

A Howard W. Sams **CIRCUITRACE[®]** Photo



PARTS LIST AND DESCRIPTIONS (Continued)

TRANSFORMER (AUDIO OUTPUT)

ITEM No.	IMPEDANCE		REPLACEMENT DATA						NOTES	
	PRI.	SEC.	REGENCY PART No.	Halldorson PART No.	Merit PART No.	Ram PART No.	Stancor PART No.	Thordarson PART No.		Triad PART No.
T2	175Ω CT	12Ω	300-705A					TA-19		

SPEAKER

ITEM No.	TYPE			REPLACEMENT DATA		NOTES
	SIZE	FIELD	V. C. IMP.	REGENCY PART No.	QUAM PART No.	
SP1	2 3/4"	PM	14Ω	300-520		

BATTERIES

ITEM No.	VOLTAGE	REGENCY PART No.	REPLACEMENT DATA						NOTES
			BURGESS		EVEREADY		MALLORY		
			"A"	"B"	"A"	"B"	"A"	"B"	
M1	1.5V			Z		915		M-16R	Three required

CRYSTAL DIODES

ITEM No.	ORIG. TYPE	REPLACEMENT DATA				NOTES
		REGENCY PART No.	CBS PART No.	RAYTHEON PART No.	SYLVANIA PART No.	
M2	1N64	1N64	1N64	1N64	1N64	Detector (Pigtal)

MISCELLANEOUS

ITEM No.	PART NAME	REGENCY PART No.	NOTES
	Printed Board	500-448	

CABINETS & CABINET PARTS

(When Ordering Cabinets & Cabinet Parts, Specify Model, Chassis & Color)

NAME	PART NO.	DESCRIPTION
Knob	900-899	Tuning Volume
Knob	101-304	
Case	600-114	

WIRING DATA

General-use Unshielded Hook-up Wire Use BELDEN No. 8530 (Solid) Available in Ten Colors
8524 (Stranded) Available in Ten Colors

OSC
1630KC

CHASSIS—TOP VIEW

