

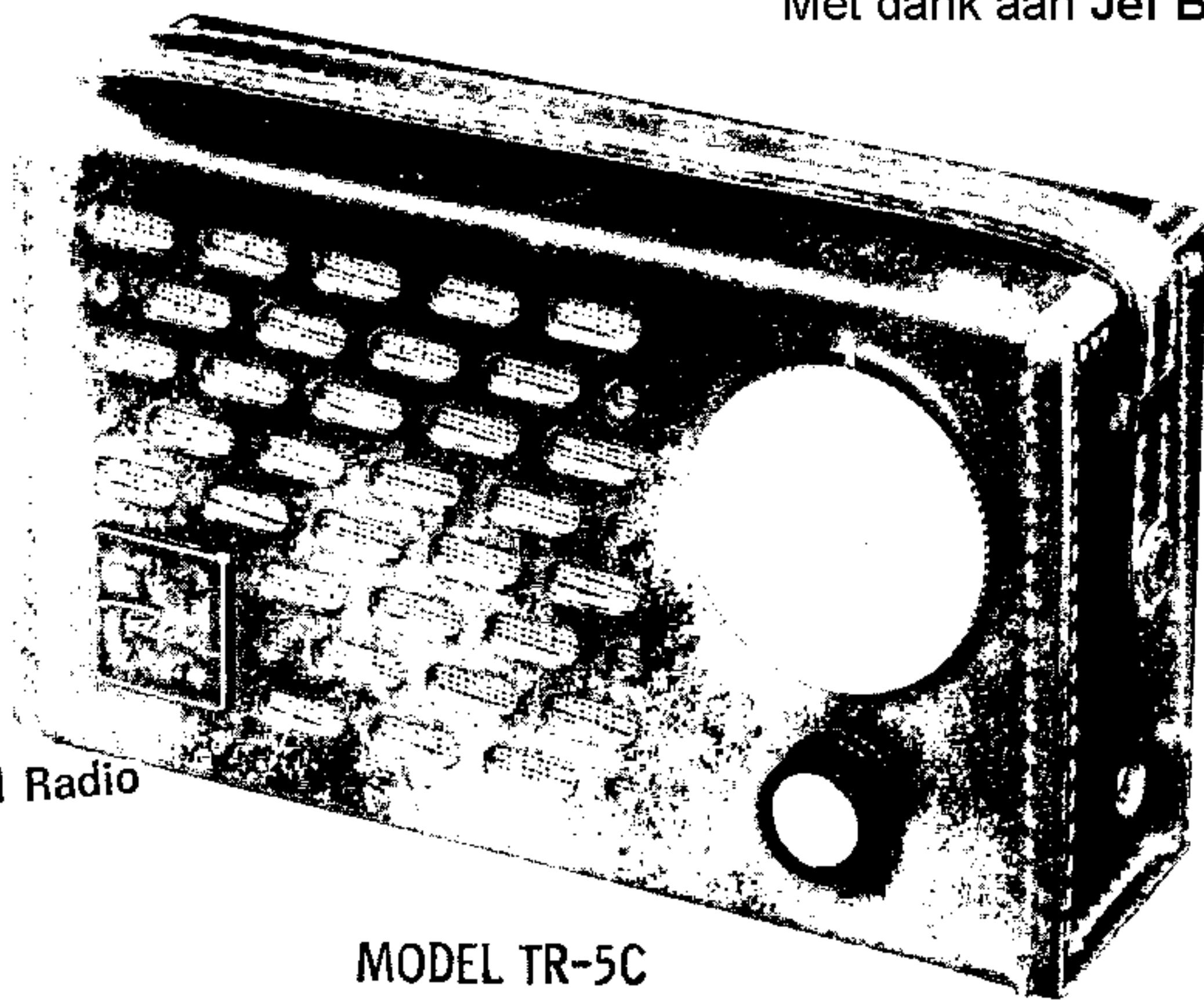
PHOTOFACT* Folder



REGENCY MODELS TCR-2A, TR-5C, TR-7, TR-8A

with CIRCUITRACE*
TRADE MARK

Met dank aan Jef Bos



v. Historie v/d Radio

ARCHIEF
DOCUMENTATIEDIENST
NVHR

MODEL TR-5C

TRADE NAME	Regency Models TCR-2A, TR-5C, TR-7, TR-8A	
MANUFACTURER	Regency Div., I. D. E. A., Inc., 7900 Pendleton Pike, Indianapolis 26, Indiana	
TYPE SET	Battery Operated Portable AM Transistorized Receiver	
POWER SUPPLY	4.5 Volts DC	RATING 14MA @ 4.5 Volts DC (No signal, min. volume)
TUNING RANGE—BROADCAST	535 - 1630KC	17MA @ 4.5 Volts DC (Signal, normal volume)

ALIGNMENT INSTRUCTIONS

ALIGNMENT INSTRUCTIONS—READ CAREFULLY BEFORE ATTEMPTING ALIGNMENT

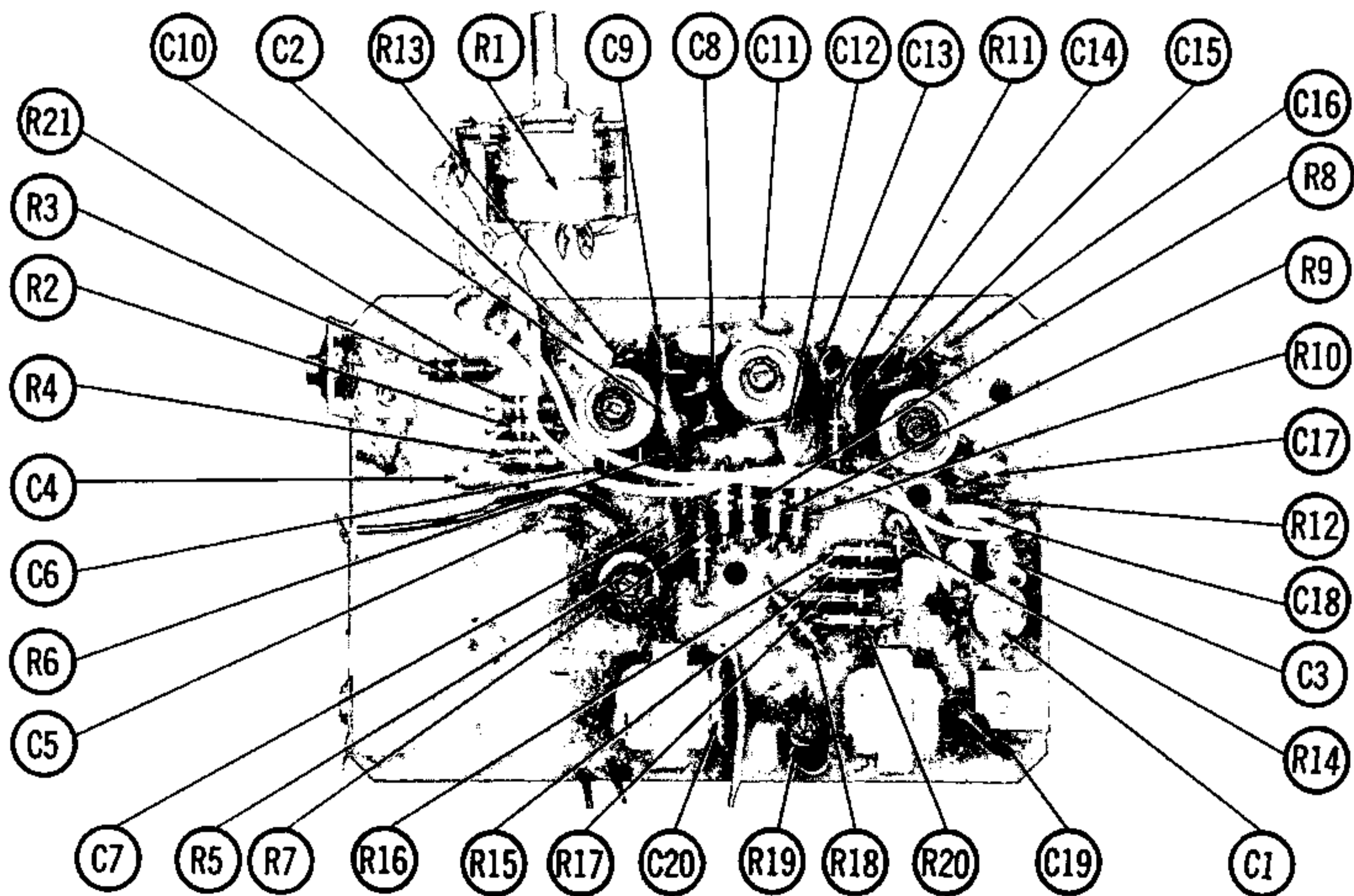
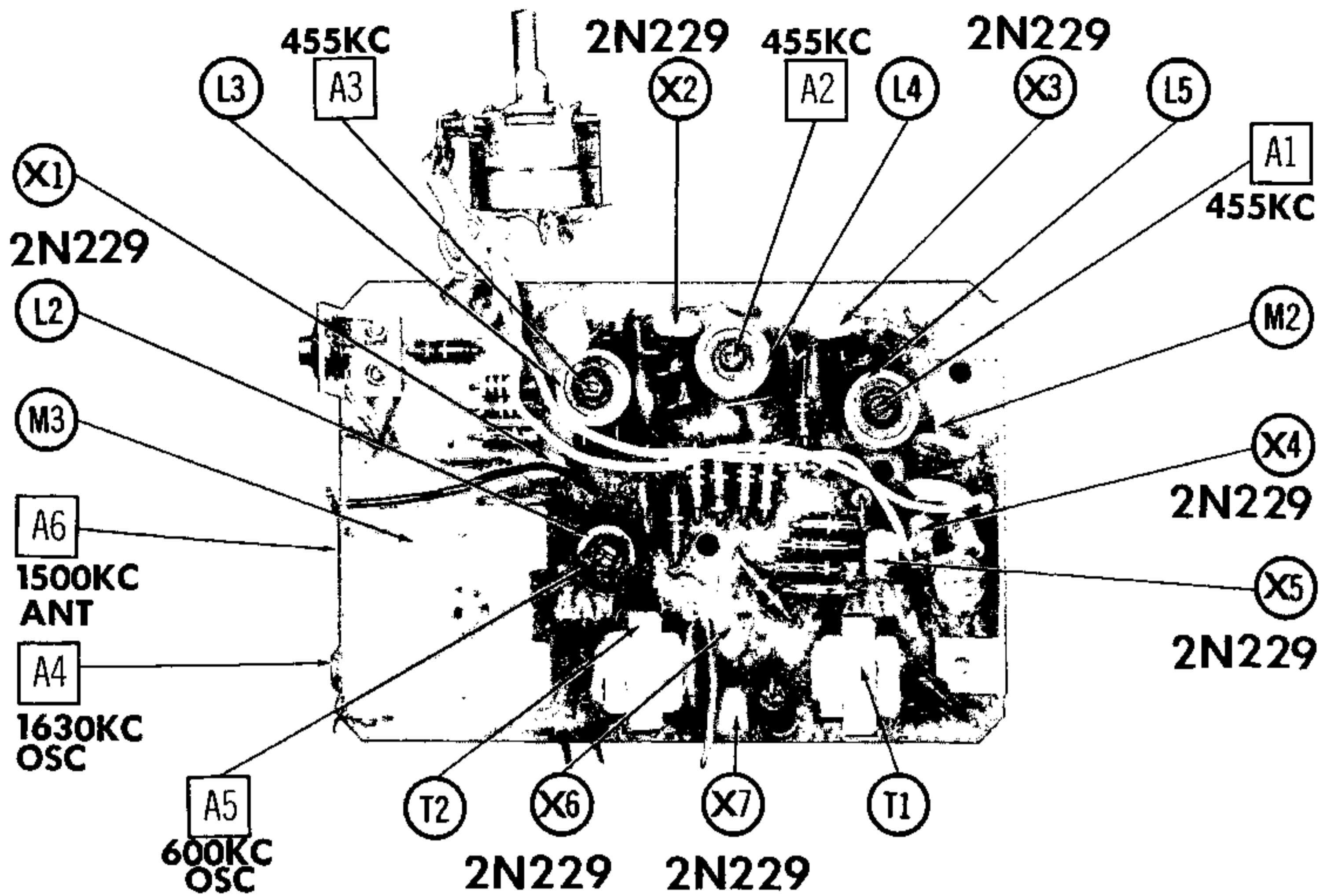
Volume control should be at maximum position. Output of signal generator should be no higher than necessary to obtain an output reading. Use an insulated alignment screwdriver for adjusting.

DUMMY ANTENNA	SIGNAL GENERATOR COUPLING	SIGNAL GENERATOR FREQUENCY	RADIO DIAL SETTING	OUTPUT METER	ADJUST	REMARKS
1.	Loop	455KC (400% Mod)	Tuning gang fully open	Across voice coil	A1, A2, A3	Fashion loop of several turns of wire and radiate signal into loop of receiver. Adjust for maximum output.
2.	"	1630KC	"	"	A4	"
3.	"	600KC	600KC	"	A5	Fashion loop of several turns of wire and radiate signal into loop of receiver. Adjust for maximum output while rocking tuning gang. Repeat steps 2 and 3.
4.	"	1500KC	Tune to 1500KC signal	"	A6	Fashion loop of several turns of wire and radiate signal into loop of receiver. Adjust for maximum output.

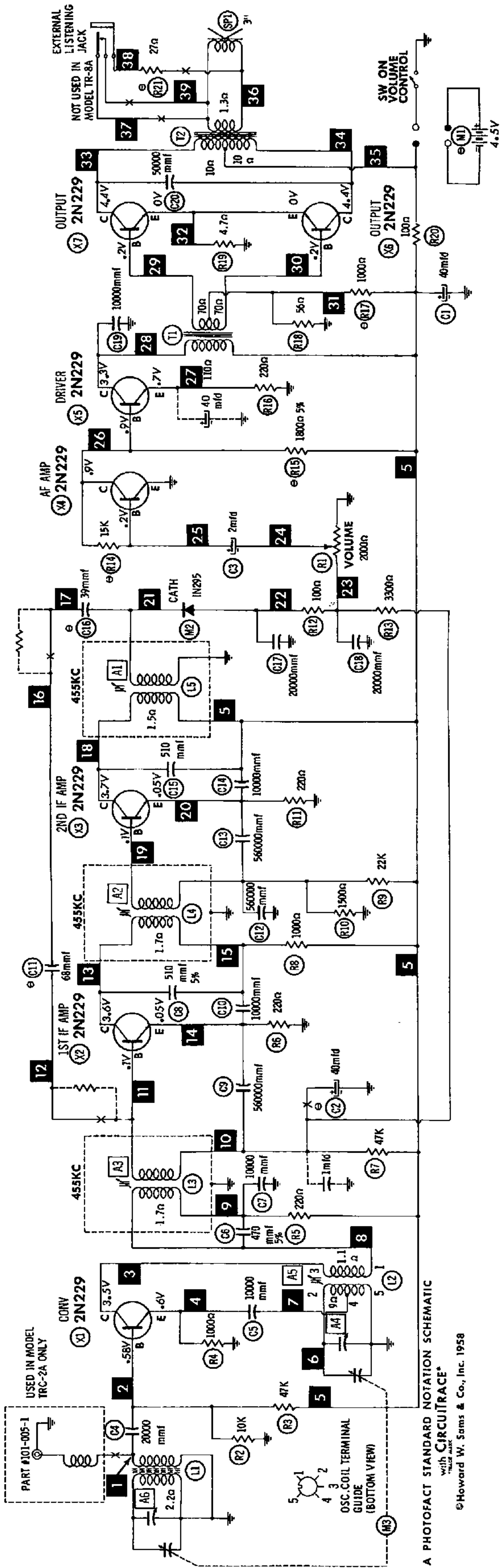
HOWARD W. SAMS & CO., INC. • Indianapolis 5, Indiana

The listing of any available replacement part herein does not constitute in any case a recommendation, warranty or guaranty by Howard W. Sams & Co., Inc., as to the quality and suitability of such replacement part. The numbers of these parts have been compiled from information furnished to Howard W. Sams & Co., Inc., by the manufacturers of H674

the particular type of replacement part listed. Reproduction or use, without express permission, of editorial or pictorial content, in any manner, is prohibited. No patent liability is assumed with respect to the use of the information contained herein. © 1958 Howard W. Sams & Co., Inc., Indianapolis 5, Indiana. Printed in U.S. of America

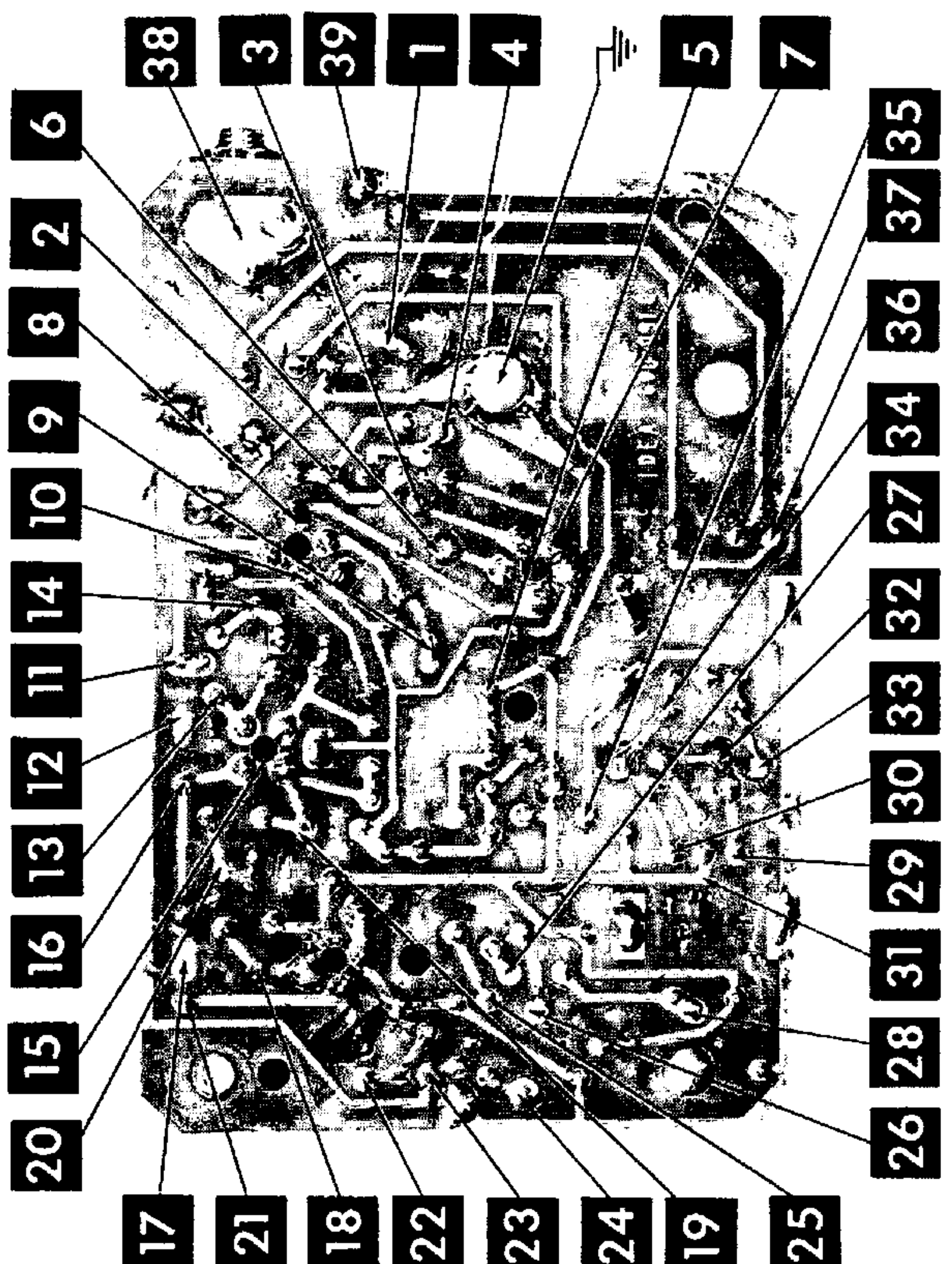


CHASSIS-TOP VIEW



A PHOTOFAC STANDARD NOTATION SCHEMATIC with CIRCUITRACE®

©Howard W. Sams & Co., Inc. 1958



1. DC voltage measurements taken with vacuum tube voltmeter.
2. Socket connections are shown as bottom views.
3. Measured values are from socket pin to common negative.
4. Nominal tolerance on component values makes possible a variation of ±15% in voltage and resistance readings.
5. Volume control at maximum. no signal applied for voltage measurements.

⊕ SEE PARTS LIST FOR ALTERNATE VALUE OR APPLICATION
DC COIL RESISTANCE VALUES UNDER ONE OHM NOT SHOWN ON SCHEMATIC DIAGRAM

TRANSISTORS

PARTS LIST AN

ITEM No.	ORIG. TYPE	USE	REPLACEMENT DATA				NOTES
			CBS PART No.	RCA PART No.	RAYTHEON PART No.	SYLVANIA PART No.	
X1	2N229	Converter	CBS -2N438				NPN
X2	2N229	1st IF Amplifier	CBS -2N438				NPN
X3	2N229	2nd IF Amplifier	CBS -2N438				NPN
X4	2N229	AF Amplifier	CBS -2N438				NPN
X5	2N229	Driver	CBS -2N438				NPN
X6	2N229	Output	CBS -2N438				NPN
X7	2N229	Output	CBS -2N438				NPN

ELECTROLYTIC CAPACITORS

ITEM No.	RATING		REPLACEMENT DATA						
	CAP.	VOLT.	REGENCY PART No.	AEROVOX PART No.	CORNELL-DUBILIER PART No.	MALLORY PART No.	PYRAMID PART No.	SANGAMO PART No.	SPRAGUE PART No.
C1	40	12	30-473-10	XPP-12040	NL50-10	TT15X40	ML40-15	MQ-0130	R2329 *
C2	40	3	↓	PWE3040	NL40-3	TT3X40	ML40-6		TE-1057
C3	2	3	300-473-1	XPP-3002	NL2-3	TT6X2	ML2-6		TE-1051

↓ Not used in some versions.

FIXED CAPACITORS

* Non Catalog Item

ITEM No.	RATING		REPLACEMENT DATA						NOTES
	CAP.	VOLT	REGENCY PART No.	AEROVOX PART No.	CENTRALAB PART No.	CORNELL-DUBILIER PART No.	MALLORY PART No.	SPRAGUE PART No.	
C4	20000		100-772-2	BPD-02	DD-203	BYB6S2		5HK-S2	
C5	10000		20-075-22	BPD-01	DD-103	BYA6S1	DC511	TG-S10	
C6	470			1464-00047		5R5T47		MS-347	5%
C7	10000		20-075-22	BPD-01	DD-103	BYA6S1	DC511	TG-S10	
C8	510			1464-00051		5R5T51		MS-351	5%
C9	560000								
C10	10000		20-075-22	BPD-01	DD-103	BYA6S1	DC511	TG-S10	
C11	68			DI-000068	DD-680	L10Q68	UC-5488	5GA-Q68	Note 1
C12	560000								
C13	560000								
C14	10000		20-075-22	BPD-01	DD-103	BYA6S1	DC511	TG-S10	
C15	510			1464-00051		5R5T51		MS-351	
C16	39			DI-000039	DD-390	L10Q39	UC-5439	5GA-Q39	Note 1
C17	20000		100-772-2	BPD-02	DD-203	BYB6S2		5HK-S2	
C18	20000		100-772-2	BPD-02	DD-203	BYB6S2		5HK-S2	
C19	10000		20-075-22	BPD-01	DD-103	BYA6S1	DC511	TG-S10	
C20	50000		100-772-7	BPD-05				TG-S50	

Note 1. Value may vary from 10mmf to 210mmf. Replace with original value.

CONTROLS

ITEM No.	RATING		REPLACEMENT DATA					INSTALLATION NOTES
	RESISTANCE	WATTS	REGENCY PART No.	CENTRALAB PART No.	CLAROSTAT PART No.	IRC PART No.	MALLORY PART No.	
RIA B	2000Ω Switch	½	300-621-1					Volume & Switch

RESISTORS

All wattages 1/2 watt, or less, unless otherwise listed.

ITEM No.	RATING		REGENCY PART No.	NOTES	ITEM No.	RATING		REGENCY PART No.	NOTES
	OHMS	WATT				OHMS	WATT		
R2	10K				R12	100Ω			
R3	47K				R13	3300Ω			
R4	1000Ω				R14	15K			①
R5	220Ω				R15	1800Ω 5%			②
R6	220Ω				R16	220Ω			
R7	47K				R17	1000Ω			③
R8	1000Ω				R18	56Ω			
R9	22K				R19	4.7Ω			
R10	1500Ω				R20	100Ω			
R11	220Ω				R21	27Ω			④

① Some versions may use 10K in this application.

② Some versions may use 2200Ω or 2500Ω in this application.

③ Some versions may use 1200Ω or 1500Ω in this application.

④ Not used in Model TR-8A.

SPEAKER

ITEM No.	TYPE			REPLACEMENT DATA		NOTES
	SIZE	FIELD	V. C. IMP.	REGENCY PART No.	QUAM PART No.	

DESCRIPTIONS

COILS (RF-IF)

ITEM No.	USE	REPLACEMENT DATA					NOTES
		REGENCY PART No.	Meissner PART No.	Merit PART No.	Miller PART No.	Ram PART No.	
L1	Loop Stick	300-707-1					
L2	Osc. Coil	300-883-3					
L3	1st IF Trans.	300-882-6					
L4	2nd IF Trans.	300-882-6					
L5	3rd IF Trans.	300-882-7					

TRANSFORMER (DRIVER)

ITEM No.	TURNS RATIO	REPLACEMENT DATA					NOTES
		REGENCY PART No.	Halldorson PART No.	Merit PART No.	Stancor PART No.	Thordarson PART No.	
	PRI. SEC.						
T1	1 :1	300-704					

TRANSFORMER (AUDIO OUTPUT)

ITEM No.	IMPEDANCE	REPLACEMENT DATA						NOTES
		REGENCY PART No.	Halldorson PART No.	Merit PART No.	Ram PART No.	Stancor PART No.	Thordarson PART No.	
	PRI. SEC.							
T2	175Ω CT 12Ω	300-705				TA-19		

BATTERIES

ITEM No.	VOLTAGE	REGENCY PART No.	REPLACEMENT DATA				NOTES		
			BURGESS		EVEREADY			MALLORY	
			"A"	"B"	"A"	"B"	"A"	"B"	
M1	4.5V 4.5V	101-105 (#815)		2Z3		243			Models TR-5C, TR-8A & TRC-2A Use 3 Type "AA" in series; Model TR-7

CRYSTAL DIODES

ITEM No.	ORIG. TYPE	REPLACEMENT DATA			NOTES
		REGENCY PART No.	CBS PART No.	SYLVANIA PART No.	
M2	1N295		1N60	1N295	Detector (Pigtail)

MISCELLANEOUS

ITEM No.	PART NAME	REGENCY PART No.	NOTES
M3	Tuning Cap	300-624-2	2 Gang (Ant. 12-137mmf, Osc. 16-98mmf), Model TR-5C
	Tuning Cap	300-738-1	Same as above, Model TR-7
	Tuning Cap	300-654-2	Same as above, Models TR-8A, TCR-2A
	Battery Connector	101-107	Models TR-5C, TR-8A, TCR-2A
	Battery Holder	300-748	Model TR-7
	Earphone	300-501	EP-1, Models TR-5C, TR-7, TCR-2A
	Printed Board	600-091	

CABINETS & CABINET PARTS

(When Ordering Cabinets & Cabinet Parts, Specify Model, Chassis & Color)

NAME	PART NO.	DESCRIPTION
Knob	101-106	Tuning, Model TR-5C
Knob	100-906-4	Tuning, Models TR-8A & TCR-2A
Knob	300-746	Tuning, Outer, Model TR-7
Knob	101-200	Tuning, Inner, Model TR-7
Knob	100-924	On-Off-Volume, Model TR-5C
Knob	101-190-1	On-Off-Volume, Model TR-7
Knob	100-906-3	On-Off-Volume, Models TR-8A & TCR-2A
Case	500-335	Leather (Specify Briarwood, Calif. Saddle or Champagne), Model TR-5C
Cabinet	500-413	Plastic (Black or Ivory), Model TR-7
Cabinet	500-365-1	Metal (Specify Color), Models TR-8A & TCR-2A
Cover	500-395-2	Front, Model TR-8A
Cover	500-391-1	Front, Model TCR-2A
Label	100-955	Color, to match Leather Case
Pointer	100-995	Models TR-8A & TCR-2A

WIRING DATA

General-use Unshielded Hook-up Wire Use BELDEN No. 8530 (Solid) Available in Ten Colors
8524 (Stranded) Available in Ten Colors