

PHOTOFACT® Folder

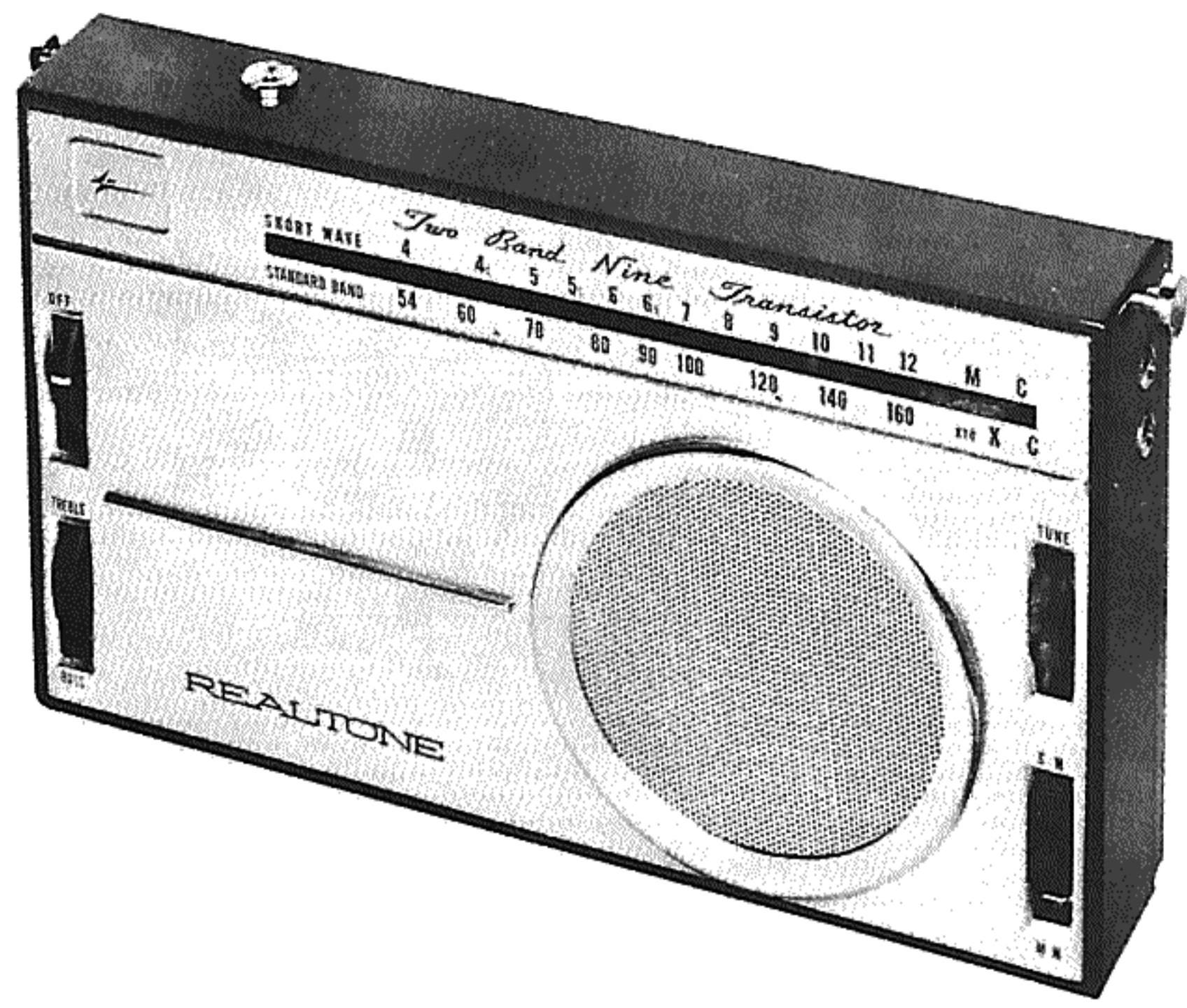
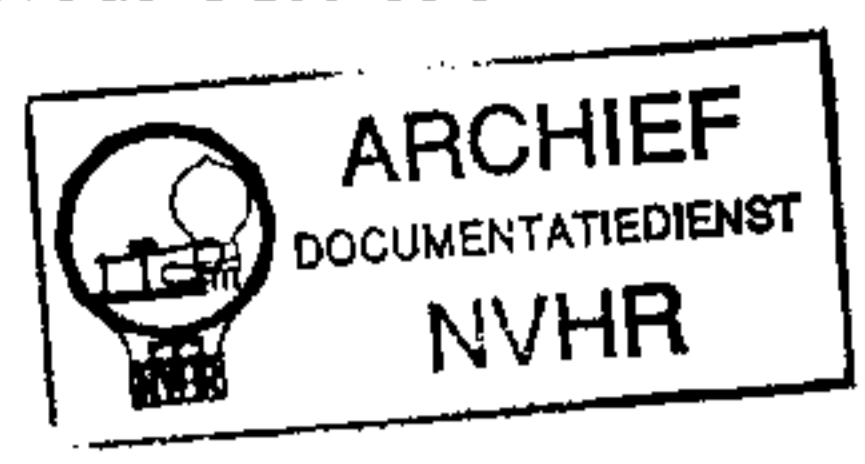
with **CIRCUITRACE®**

REALTONE MODEL TR-2925



Ned. Ver. v. Historie v/d Radio

Met dank aan Jef Bos



TRADE NAME	Realtone Model TR-2925		
SUPPLIER	Realtone Electronics, 71 Fifth Avenue, New York 3, N. Y.		
TYPE SET	Battery Operated 9 Transistor, 2 Band Portable Receiver		
POWER SUPPLY	9 Volts DC	RATING	6MA @ 9 Volts DC (No Signal, Min. Volume)
TUNING RANGE - BROADCAST	540 - 1800KC		12MA @ 9 Volts DC (Signal, Normal Volume)
	SHORT WAVE	4-12MC	

ALIGNMENT INSTRUCTIONS

Use only enough generator output to provide a usable indication.
 Selector Switch as indicated.
 Suggested Alignment Tools:
 A1 thru A4, A6, A7, A9.... GENERAL CEMENT #5066, 5000, 9089
 A5, A8..... GENERAL CEMENT #8282, 8606, 9091

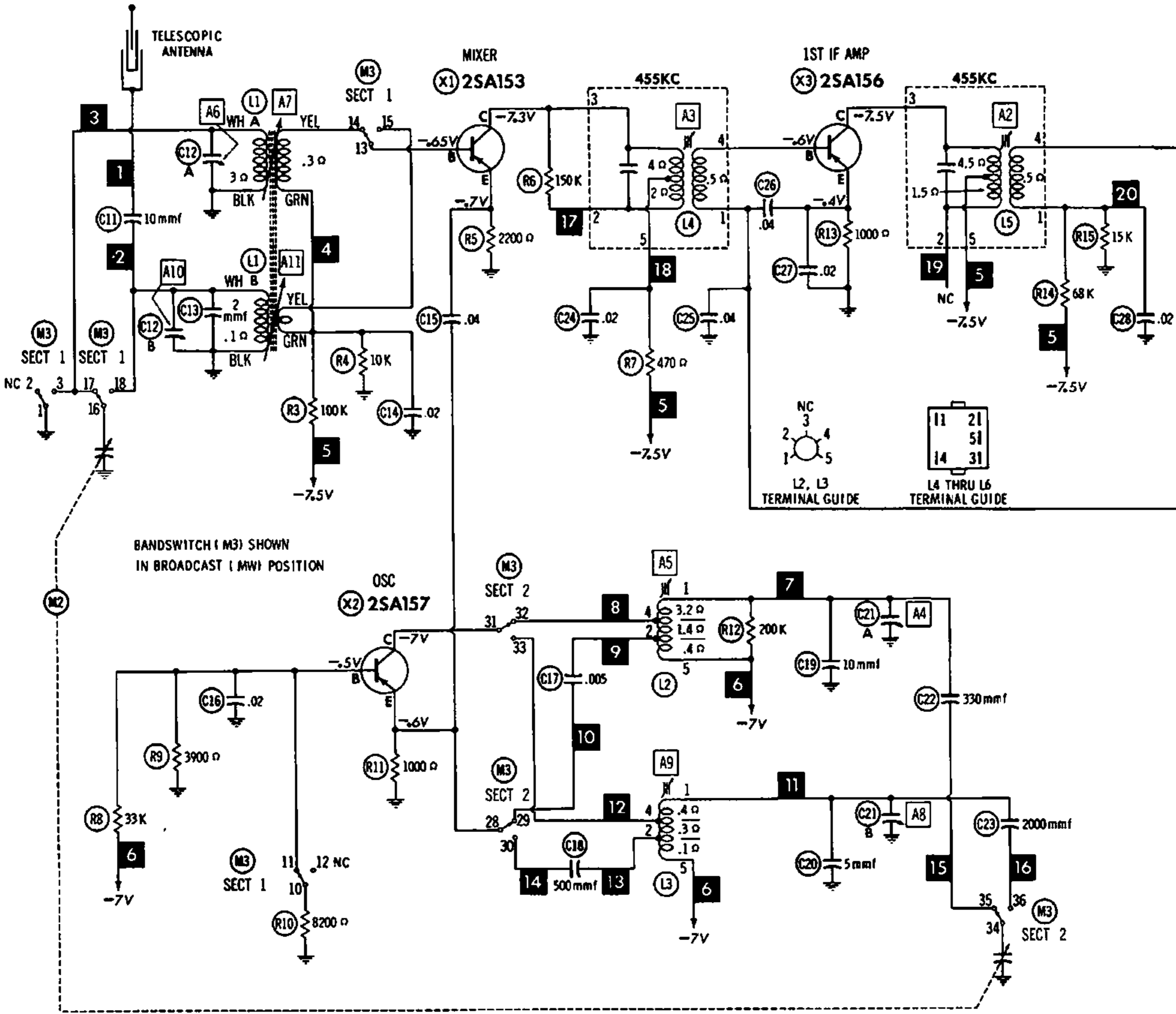
	SIGNAL GENERATOR COUPLING	SIGNAL GENERATOR FREQUENCY	RADIO DIAL SETTING	INDICATOR	ADJUST	REMARKS
1.	Fashion loop of several turns of wire and radiate signal into loop of receiver.	455KC (Unmod.)	(BC) Tuning gang fully open.	DC VTVM across volume control.	A1, A2, A3	Adjust for maximum output.
2.	"	1600KC	1600KC	"	A4	Adjust for maximum output.
3.	"	540KC	540KC	"	A5	Adjust for maximum output. Repeat steps 2 and 3.
4.	"	1400KC	1400KC	"	A6	Adjust for maximum output.
5.	"	12MC	(SW) 12MC	"	A7	Adjust for maximum output.
6.	"	4MC	4MC	"	A8	Adjust for maximum output. Repeat steps 5 and 6.
7.	"	10MC	10MC	"	A9	Adjust for maximum output.

HOWARD W. SAMS & CO., INC. Indianapolis 6, Indiana

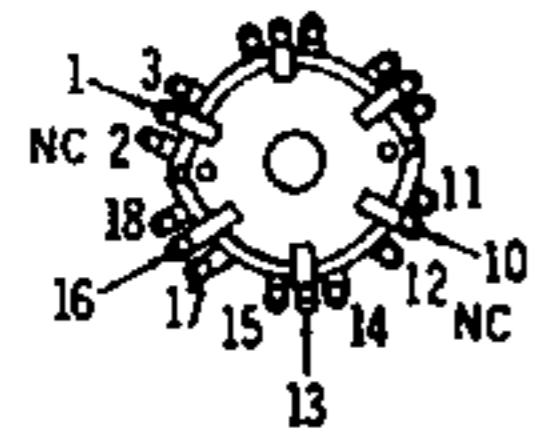
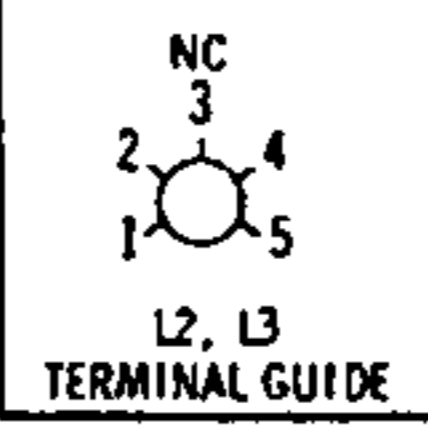
The listing of any available replacement part herein does not constitute in any case a recommendation, warranty or guaranty by Howard W. Sams & Co., Inc., as to the quality and suitability of such replacement part. The numbers of these parts have been compiled from information furnished to Howard W. Sams & Co., Inc., by the manufacturers of the particular type of replacement
LF818

part listed. Reproduction or use, without express permission, of editorial or pictorial content, in any manner, is prohibited. No patent liability is assumed with respect to the use of the information contained herein. ©1963 Howard W. Sams & Co., Inc., Indianapolis 6, Indiana.

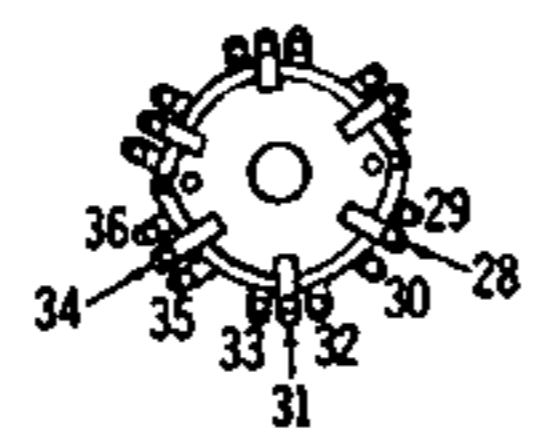
Printed in U.S. of America



BANDSWITCH (M3) SHOWN IN BROADCAST (MW) POSITION



M3 TERMINAL GUIDE (FRONT VIEW)



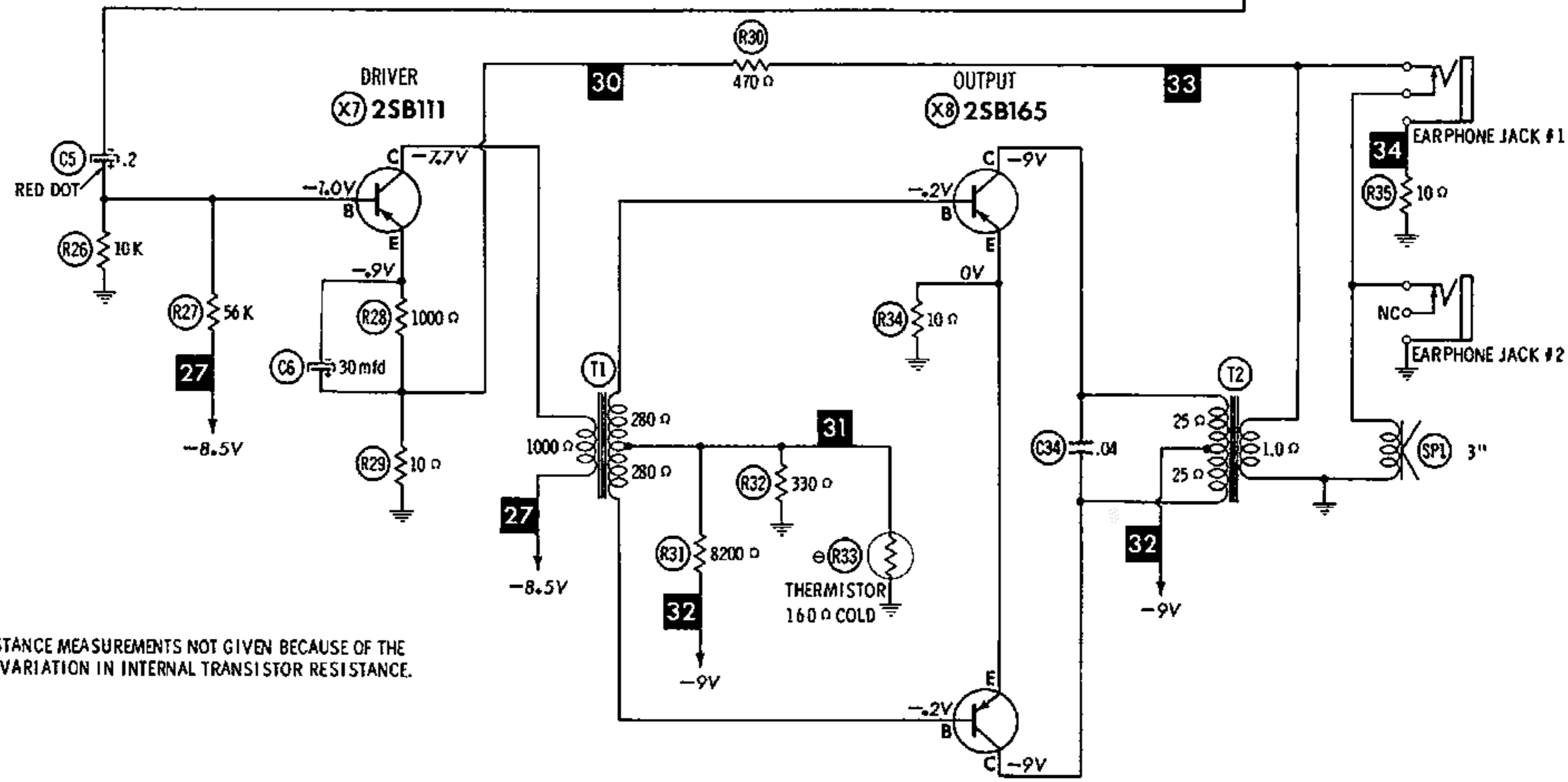
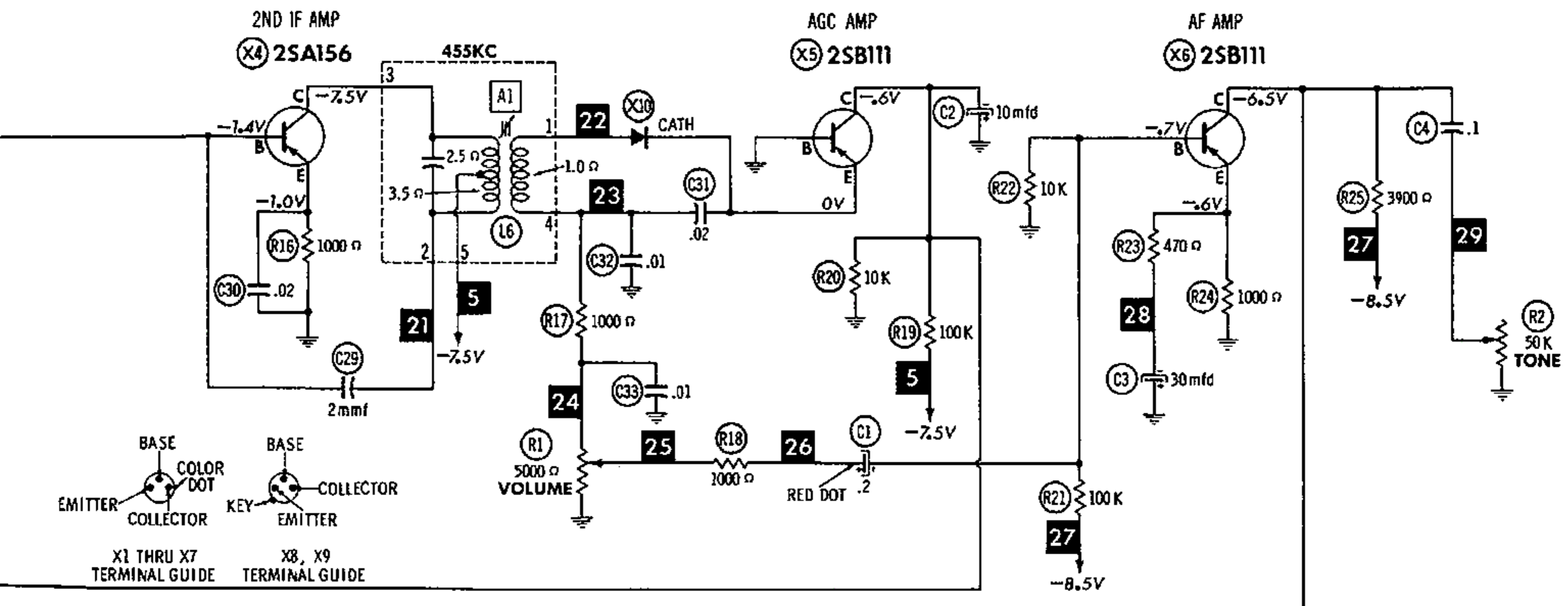
SECT 2

SEE PARTS LIST FOR ALTERNATE VALUE OR APPLICATION

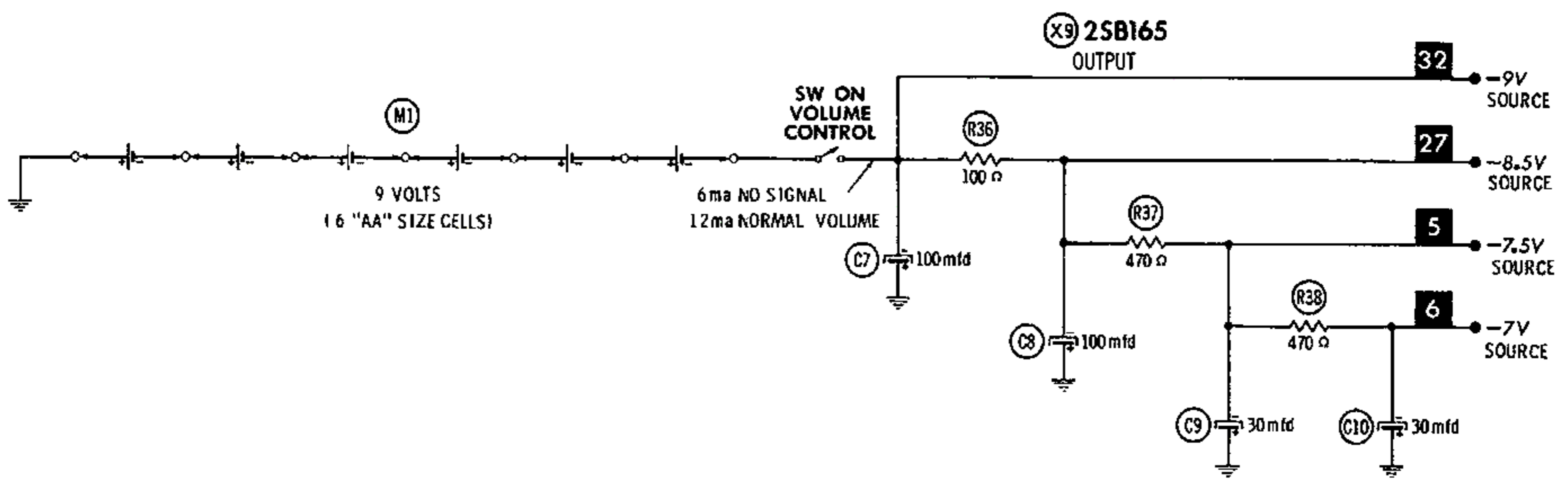
1. DC voltage measurements taken with vacuum tube voltmeter.
2. Socket connections or transistor terminals are shown as bottom views.
3. Measured values are from socket pin or terminal to common ground.
4. Nominal tolerance on component values makes possible a variation of $\pm 15\%$ in voltage and resistance readings.
5. Volume control at maximum, no signal applied for voltage measurements.

NUMBERS ASSIGNED TO COILS, SWITCHES, PLUGS, SOCKETS, AND TRANSFORMERS ARE TO FACILITATE CIRCUIT TRACING OR COMPONENT REPLACEMENT AND MAY NOT NECESSARILY BE FOUND ON THE UNIT.

A PHOTOFACIT STANDARD NOTATION SCHEMATIC with CIRCUITRACE



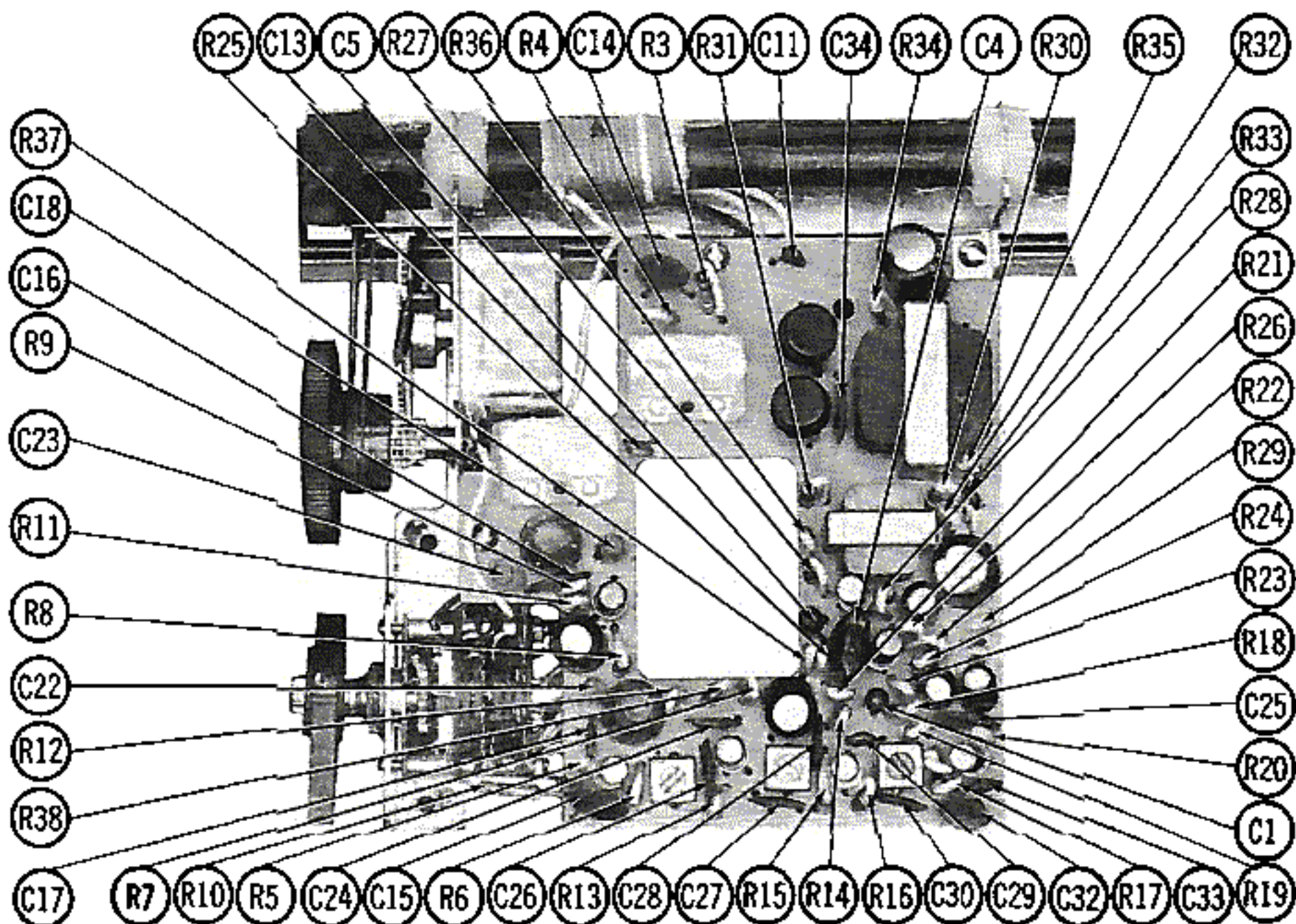
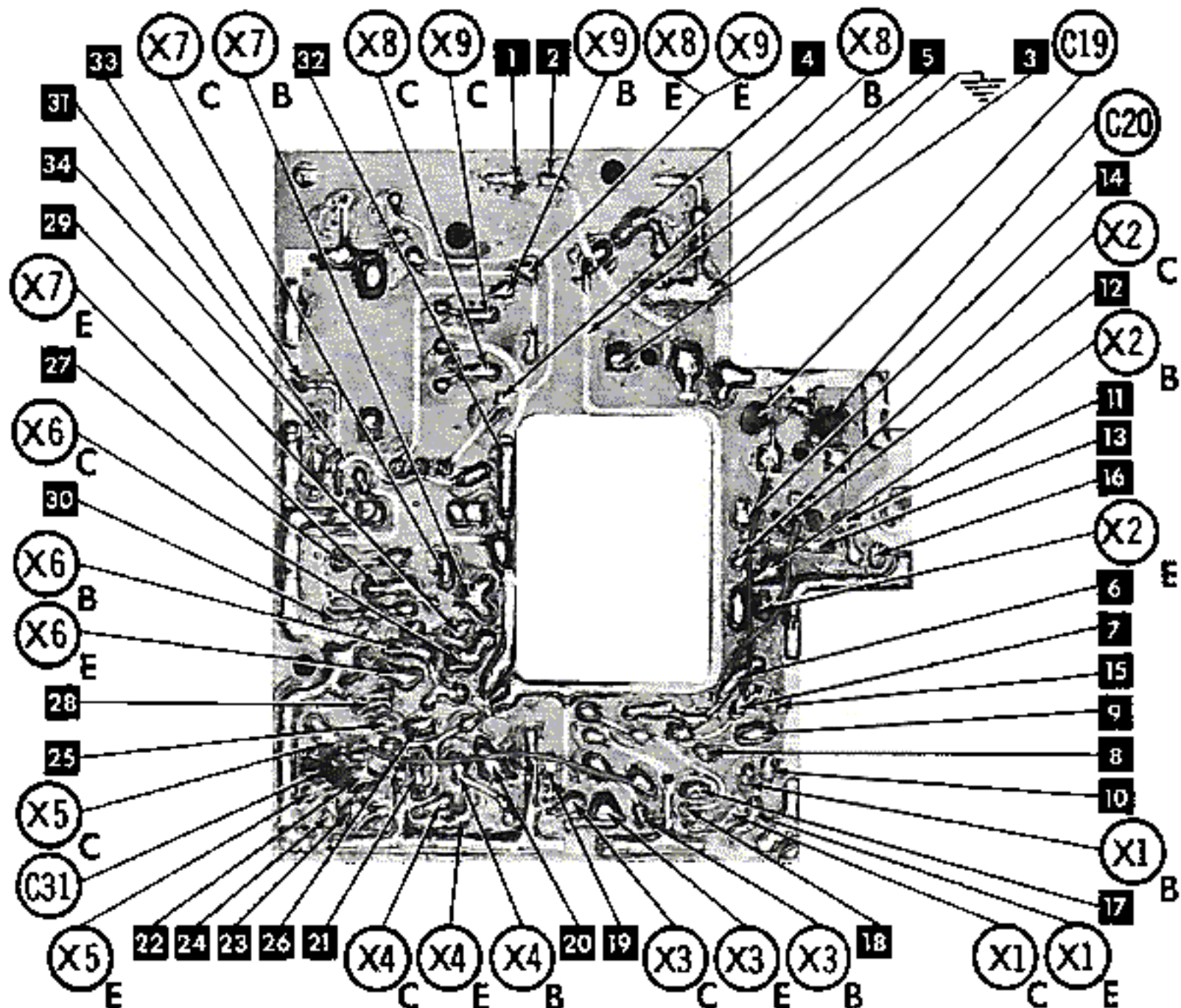
RESISTANCE MEASUREMENTS NOT GIVEN BECAUSE OF THE WIDE VARIATION IN INTERNAL TRANSISTOR RESISTANCE.



PRINTED
BOARD

B-BASE
E-EMITTER
C-COLLECTOR

A Howard W. Sams
CIRCUITRACE Photo



PRINTED BOARD

TRANSISTORS

ITEM No.	ORIG. TYPE	USE	REPLACEMENT DATA			NOTES
			DELCO PART No.	GENERAL ELECTRIC PART No.	RCA PART No.	
X1	2SA153	Mixer	DS25	GE-1		PNP
X2	2SA157	Oscillator	DS25	GE-1		PNP
X3	2SA156	1st IF Amp.	DS25	GE-1		PNP
X4	2SA156	2nd IF Amp.	DS25	GE-1		PNP
X5	2SB111	AGC	DS26	GE-2	2N406	PNP
X6	2SB111	AF Amp.	DS26	GE-2	2N406	PNP
X7	2SB111	Driver	DS26	GE-2	2N406	PNP
X8	2SB165	Output	DS26	GE-2	2N408	PNP
X9	2SB165	Output	DS26	GE-2	2N408	PNP

POWER RECTIFIERS & SIGNAL DIODES

ITEM No.	CURRENT RATING (Measured)	ORIGINAL Part or Type No.	RECTIFIERS		DIODES	NOTES
			RCA PART No.	SARKES TARZIAN PART No.		
X10		SD46				Detector

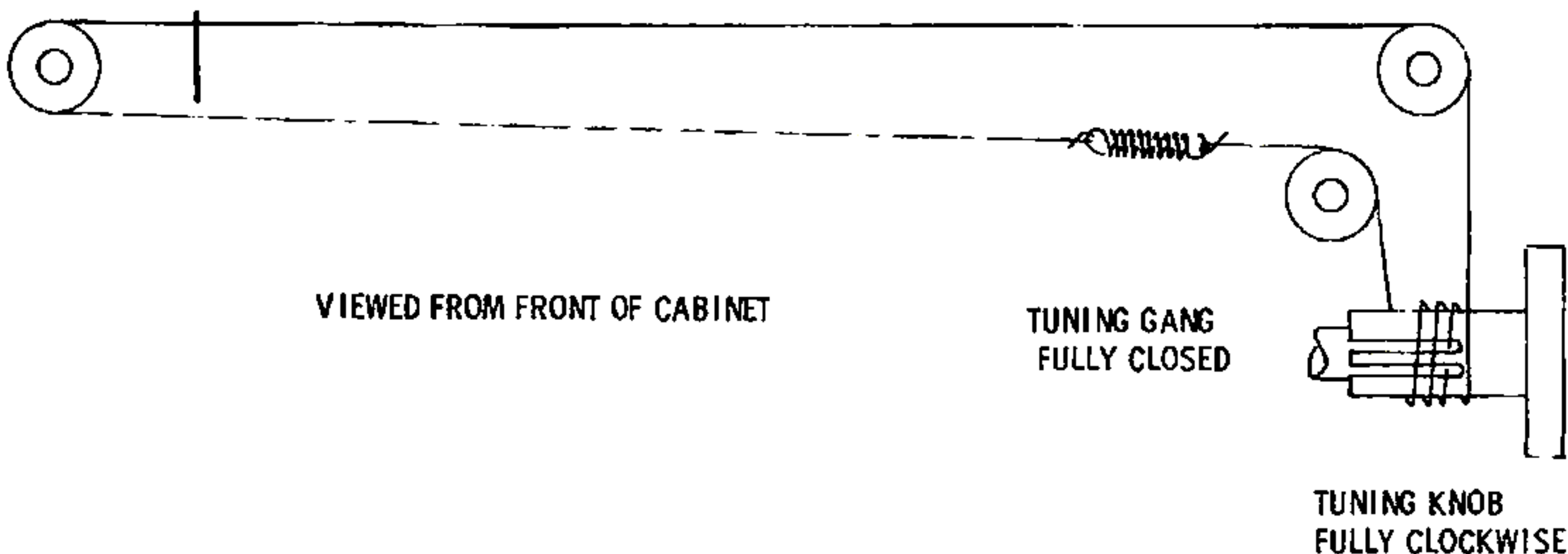
ELECTROLYTIC CAPACITORS

ITEM No.	RATING		REALTONE PART No.	REPLACEMENT DATA					
	CAP.	VOLT.		AEROVOX PART No.	CORNELL-DUBILIER PART No.	GENERAL ELECTRIC PART No.	MALLORY PART No.	PYRAMID PART No.	SPRAGUE PART No.
C1	.2	6	CA0.2R8						
C2	10	3	V-10-3	PTT6	NLW10-6	MT1-5	TT3X10	MLV10-3	TE-1053
C3	30	3	V-30-3	PTT10	NLW30-6			MLV30-6	TE-1056
C4	.1	50NP	CL104M50C						
C5	.2	6	CA0.2R6						
C6	30	3	V-10-3	PTT10	NLW30-6			MLV30-6	TE-1056
C7	100	10	V-100-10	BCD10100	NLW100-12				
C8	100	10	V-100-10	BCD10100	NLW100-12				
C9	30	10	V-30-10	BCD10025	NLW30-15	MT1-10	TT10X30	MLV25-10	VL-1132
C10	30	10	V-30-10	BCD10025	NLW30-15	MT1-10	TT10X30	MLV25-10	VL-1132

FIXED CAPACITORS

ITEM No.	RATING	REMARKS	REPLACEMENT DATA						
			AEROVOX PART No.	CENTRALAB PART No.	CORNELL-DUBILIER PART No.	ELMenco PART No.	MALLORY PART No.	SPRAGUE PART No.	
C11	10	#CT-013	DI-10	DD-100	L10Q1	CCD-100	GP-410	10TS-Q10	
C12A									
C13	2			DI-2.2	DTZ-2R2	C10V2C	CCTO-2R2	CNO-522	10TCC-V22
C14	.02			TTD-02	CK-203	H05S2		TA-120	TG-S20
C15	.04			TTD-05	CK-503	H05S5			TG-S50
C16	.02			TTD-02	CK-203	H05S2		TA-120	TG-S20
C17	.005			TTD-005	CK-502	H05D5	CCD-502	TA-250	TG-D50
C18	500			DI-10	DD-100	L10Q1	CCD-100	GP-410	10TS-Q10
C19	10			DI-10	DD-100	L10Q1	CCD-100	GP-410	10TS-Q10
C20	5			DI-5	DD-050		CCD-050	GP-550	10TS-V50
C21A		#CT-013							
C22	330			DI-330	DD-331	L10T33	CCD-331	GP-333	10TS-T33
C23	.002			DI-2000	DD-202	L10D2	CCD-202	GP-220	10TS-D20
C24	.02			TTD-02	CK-203	H05S2		TA-120	TG-S20
C25	.04			TTD-05	CK-503	H05S5			TG-S50
C26	.04			TTD-05	CK-503	H05S5			TG-S50
C27	.02			TTD-02	CK-203	H05S2		TA-120	TG-S20
C28	.02			TTD-02	CK-203	H05S2		TA-120	TG-S20
C29	2			DI-2.2	DTZ-2R2	C10V2C	CCTO-2R2	CNO-522	10TCC-V22
C30	.02			TTD-02	CK-203	H05S2		TA-120	TG-S20
C31	.02			TTD-02	CK-203	H05S2		TA-120	TG-S20
C32	.01			TTD-01	CK-103	H05S1		TA-110	TG-S10
C33	.01			TTD-01	CK-103	H05S1		TA-110	TG-S10
C34	.04			TTD-05	CK-503	H05S5			TG-S50

Realtone Part Number.



PARTS LIST AND DESCRIPTION

CONTROLS

All wattages 1/2 watt, or less, unless otherwise listed.

ITEM No.	USE	RESIST- ANCE	REPLACEMENT DATA				
			REALTONE PART No.	CENTRALAB PART No.	CLAROSTAT PART No.	CTS-IRC PART No.	MALLORY PART No.
R1 R2	Volume & Switch Tone	5000Ω 50K	RV-084 RV-083				

RESISTORS (Power and Special)

ITEM No.	RATING	REPLACEMENT DATA			ITEM No.	RATING	REPLACEMENT DATA		
		IRC PART No.	WORKMAN PART No.	REMARKS			IRC PART No.	WORKMAN PART No.	REMARKS
R33	160Ω Cold			#D32S					

Realtone Part Number.

COILS (RF-IF)

ITEM No.	USE	REPLACEMENT DATA					NOTES
		REALTONE PART No.	MERIT PART No.	MILLER PART No.	STANCOR PART No.	WORKMAN PART No.	
LLA B L2 L3 L4 L5 L6	MW Ant. SW Ant. MW Osc. SW Osc. 1st IF 2nd IF 3rd IF	HA-132 HA-142 HO-100 HO-096b HI-042 HI-052 HI-063					
			BC-569 BC-570 BC-571				

TRANSFORMER (DRIVER)

ITEM No.	TURNS RATIO		REPLACEMENT DATA					NOTES
	PRI.	SEC.	REALTONE	MERIT	STANCOR	THORDARSON	TRIAD	
			PART No.	PART No.	PART No.	PART No.	PART No.	
T1	1.3	1	LI-025					

TRANSFORMER (AUDIO OUTPUT)

ITEM No.	IMPEDANCE		REPLACEMENT DATA					NOTES
	PRI.	SEC.	REALTONE	Merit	Stancor	Thordarson	Triad	
			PART No.	PART No.	PART No.	PART No.	PART No.	
T2	450Ω CT	6-8Ω	LO-025					

SPEAKER

ITEM No.	TYPE			REPLACEMENT DATA		NOTES
				REALTONE PART No.	QUAM PART No.	
	SIZE	FIELD	V. C. IMP.			
SP1	3"	PM	6-8Ω	AS-080	30A05RZ8	

BATTERIES

ITEM No.	VOLTAGE	REALTONE PART No.	REPLACEMENT DATA		
			BURGESS	EVEREADY	MALLORY
M1	1.5V		930	1015	M15R(1) MN1500(2) ZM-9(3)

MISCELLANEOUS

ITEM No.	PART NAME	REALTONE PART No.	NOTES
M2 M3	Tuning Cap. Switch	CV-070	2 Gang Band

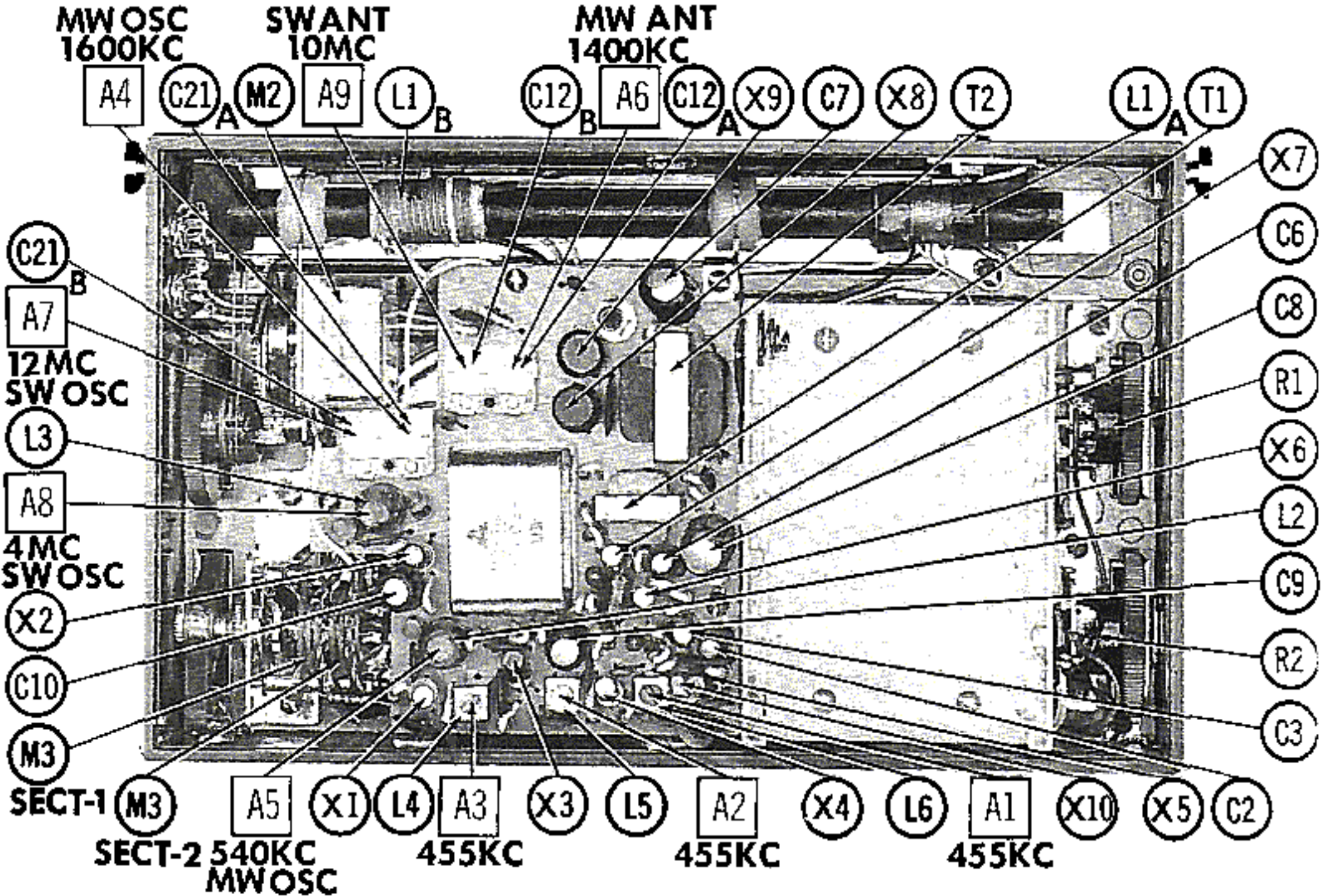
CABINETS & CABINET PARTS

(When Ordering Cabinets & Cabinet Parts, Specify Model, Chassis & Color)

NAME	PART NO.	DESCRIPTION
Pointer	L80-0014	Dial
Handle	L80-0023	Leather
Knob	L80-0005	Tuning
Knob	K80-0005	Band Switch
Knob	L80-0006	Volume, Tone
Cabinet	C-2925	Plastic (Includes Trim)

WIRING DATA

General-use Unshielded Hook-up Wire	Use BELDEN No. 8530 (Solid 22AWG) 8524 (Stranded 22AWG) 8570 (Stranded 26AWG)
-------------------------------------------	-------------------------------------------------------------------------------------



CHASSIS—TOP VIEW