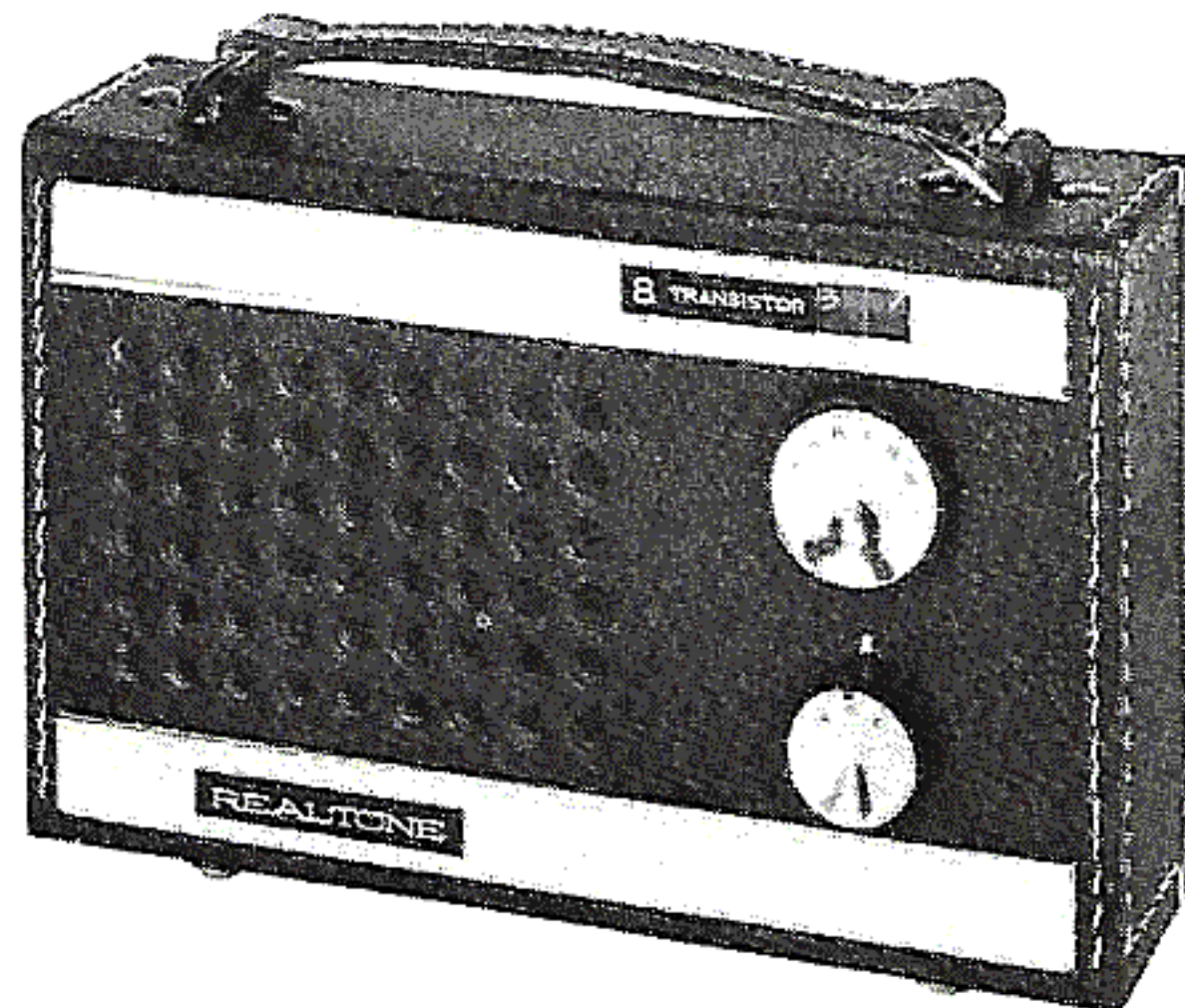
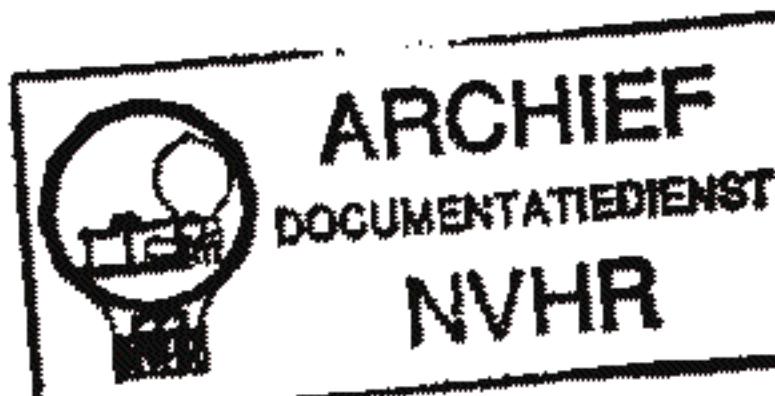




# PHOTOFACT<sup>®</sup> with

**CIRCUITRACE<sup>®</sup>**

Ned. Ver. v. Historie v/d Radio



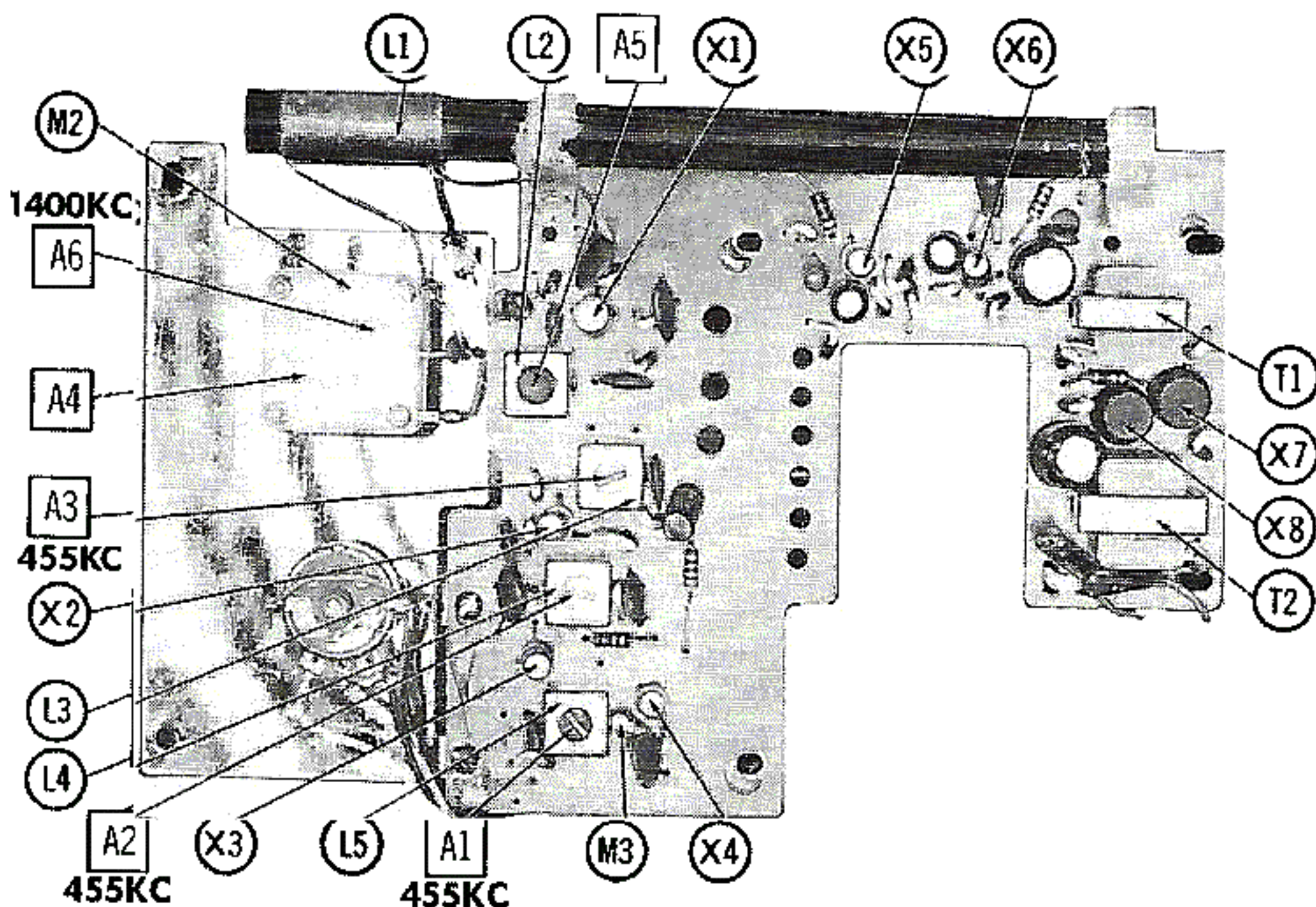
TRADE NAME: Realtone Model TR-1844  
 SUPPLIER: Realtone Electronics  
 71 Fifth Ave., New York 3, N. Y.  
 TYPE SET: 8 Transistor AM Receiver  
 POWER SUPPLY: 6 Volts DC  
 RATING: 9MA@6VDC (No Signal, Min. Volume)  
 24MA@6VDC (Signal, Normal Volume)  
 TUNING RANGE: BROADCAST 540 - 1620KC

## ALIGNMENT INSTRUCTIONS

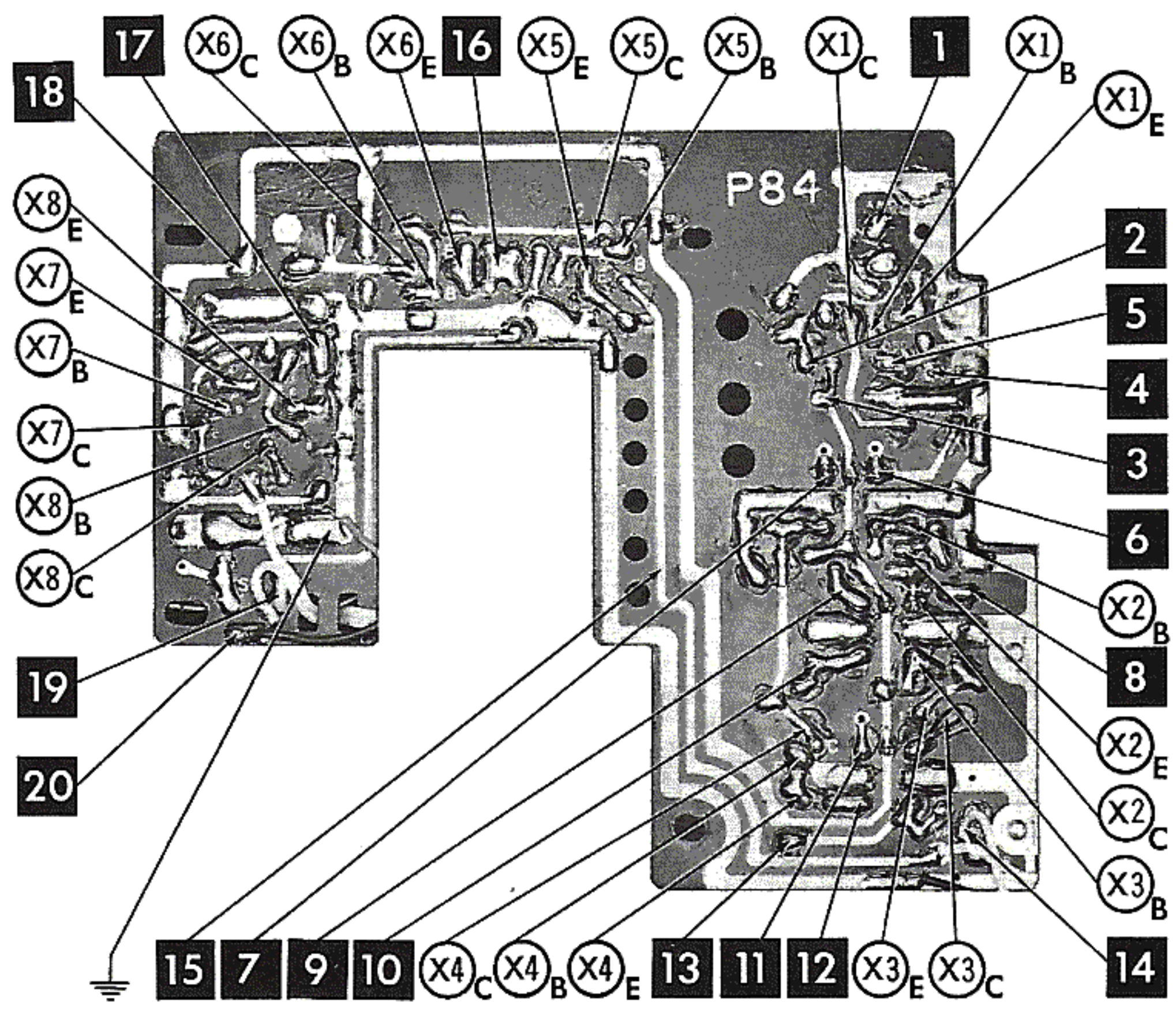
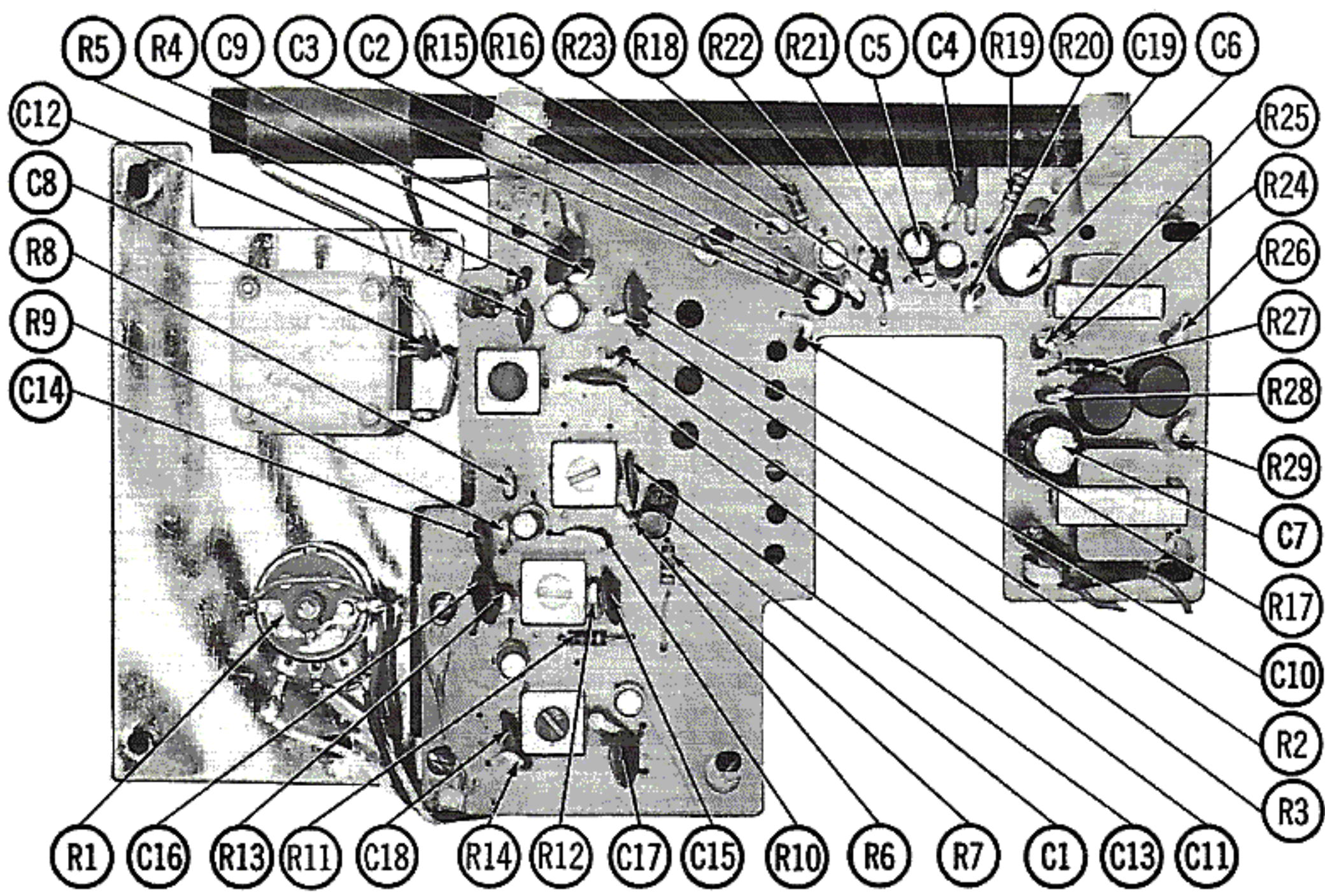
Check for specified source voltage.  
 Fashion loop of several turns of wire and connect generator across loop.  
 Adjust output of generator to radiate only enough signal into receiver to obtain a suitable indication.  
 Suggested Alignment Tools:

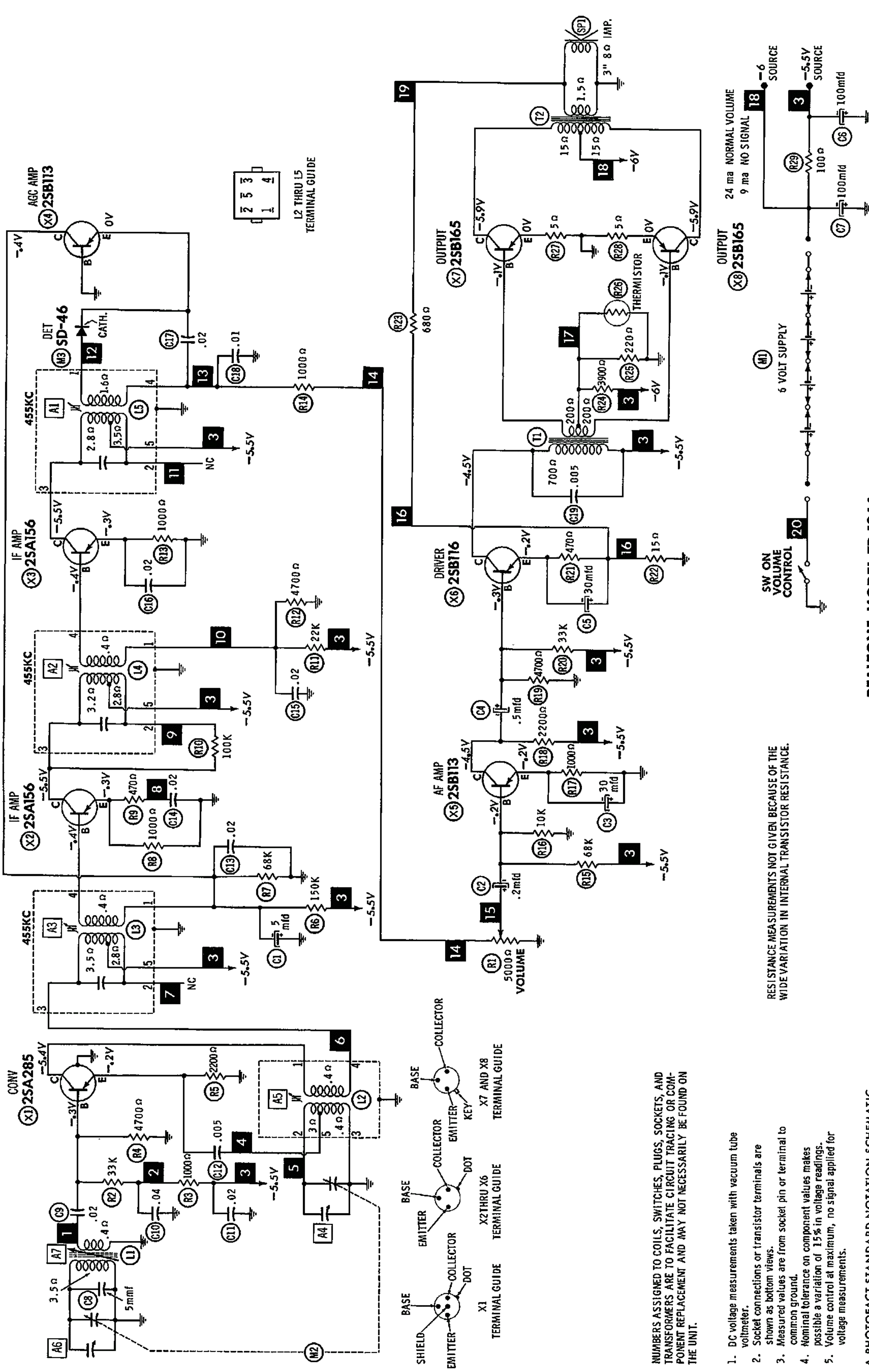
A1, A2, A3, A5..... GENERAL CEMENT #5067, 8282, 8606  
 WALSCO #2526, 2543  
 A4, A6..... GENERAL CEMENT #5000, 5066, 8290  
 WALSCO #2525

	SIGNAL GENERATOR FREQUENCY	RADIO DIAL SETTING	INDICATOR	ADJUST	REMARKS
1.	455KC (400% Mod.)	Tuning gang fully open.	Output Meter across voice coil.	A1, A2, A3	Adjust for maximum. Repeat as required.
2.	1620KC	"	"	A4	Adjust for maximum.
3.	600KC	Tune to Signal.	"	A5	Rock tuning gang and adjust for maximum. Repeat steps 2 and 3.
4.	1400KC	"	"	A6	Adjust for maximum.



**HOWARD W. SAMS & CO., INC.** Indianapolis 6, Indiana





NUMBERS ASSIGNED TO COILS, SWITCHES, PLUGS, SOCKETS, AND TRANSFORMERS ARE TO FACILITATE CIRCUIT TRACING OR COMPONENT REPLACEMENT AND MAY NOT NECESSARILY BE FOUND ON THE UNIT.

1. DC voltage measurements taken with vacuum tube voltmeter.
2. Socket connections or transistor terminals are shown as bottom views.
3. Measured values are from socket pin or terminal to common ground.
4. Nominal tolerance on component values makes possible a variation of 15% in voltage readings.
5. Volume control at maximum, no signal applied for voltage measurements.

RESISTANCE MEASUREMENTS NOT GIVEN BECAUSE OF THE WIDE VARIATION IN INTERNAL TRANSISTOR RESISTANCE.

## WIRING DATA

General-use Unshielded Hook-up Wire .....	Use BELDEN No. 8530 (Solid 22AWG) 8524 (Stranded 22AWG) 8570 (Stranded 26AWG)	Available in 12 Colors
---	---	------------------------------

## TRANSISTORS

ITEM No.	ORIG. TYPE	USE	REPLACEMENT DATA			NOTES
			DELCO PART No.	GENERAL ELECTRIC PART No.	RCA PART No.	
X1	2SA285	Converter	DS-25	GE-1		PNP
X2	2SA156	1st IF Amplifier	DS-25	GE-1	2N410	PNP
X3	2SA156	2nd IF Amplifier	DS-25	GE-1	2N410	PNP
X4	2SB113	AGC Amplifier	DS-26	GE-2	2N406	PNP
X5	2SB113	AF Amplifier	DS-26	GE-2	2N406	PNP
X6	2SB116	Driver	DS-26	GE-2	2N406	PNP
X7	2SB165	Output	DS-26	GE-2	2N270	PNP
X8	2SB165	Output	DS-26	GE-2	2N270	PNP

## ELECTROLYTIC CAPACITORS

ITEM No.	RATING		REPLACEMENT DATA						
	CAP.	VOLT.	REALTONE PART No.	AEROVOX PART No.	CORNELL-DUBILIER PART No.	GENERAL ELECTRIC PART No.	GENERAL INSTRUMENT PART No.	MALLORY PART No.	SPRAGUE PART No.
C1	5	6	V-5-6	BCD6005	NLW5-15	MT1-3		PET1210	TE-1084
C2	.2		CA0.2R6		ECPB401				
C3	30	6	V-30-6		NLW30-6	MT1-13			
C4	.5		CA0.5R6		ECPB401				
C5	30	6	V-30-6	BCD6025	NLW30-6	MT1-13			
C6	100	10	V-100-10						
C7	100	10	V-100-10						

## FIXED CAPACITORS

ITEM No.	RATING	REMARKS	REPLACEMENT DATA					
			AEROVOX PART No.	CENTRALAB PART No.	CORNELL-DUBILIER PART No.	ELMENCO PART No.	MALLORY PART No.	SPRAGUE PART No.
C8	5		NPO-DI 5.0	DTZ-4R7	C10V47C	CCTO-050	CNO-547	10TCC-V50
C9	.02		TTD-02	CK-203	H3		TA-120	TG-S20
C10	.04		TTD-05	CK-503	H5		TA-150	TG-S50
C11	.02		TTD-02	CK-203	H3		TA-120	TG-S20
C12	.005		TTD-005	CK-502	H1		TA-250	TG-D50
C13	.02		TTD-02	CK-203	H3		TA-120	TG-S20
C14	.02		TTD-02	CK-203	H3		TA-120	TG-S20
C15	.02		TTD-02	CK-203	H3		TA-120	TG-S20
C16	.02		TTD-02	CK-203	H3		TA-120	TG-S20
C17	.02		TTD-02	CK-203	H3		TA-120	TG-S20
C18	.01		TTD-01	CK-103	H2		TA-110	TG-S10
C19	.005		TTD-005	CK-502	H1		TA-250	TG-D50

## CONTROLS

All wattages 1/2 watt, or less, unless otherwise listed.

ITEM No.	USE	RESISTANCE	REPLACEMENT DATA				
			REALTONE PART No.	CENTRALAB PART No.	CLAROSTAT PART No.	CTS-IRC PART No.	MALLORY PART No.
R1	Volume & Switch	5000Ω	RV-043				

# DESCRIPTION

## COILS (RF-IF)

ITEM No.	USE	REPLACEMENT DATA					NOTES
		REALTONE PART No.	MERIT PART No.	MILLER PART No.	STANCOR PART No.	WORKMAN PART No.	
L1	Loopstick	HA-024					
L2	Osc.	HO-011	BC-577				
L3	1st IF	HI-012	BC-574	2066	RTC-9266		
L4	2nd IF	HI-022	BC-575	2067	RTC-9267		
L5	3rd IF	HI-033	BC-576	2068	RTC-9268		

## TRANSFORMER (DRIVER)

ITEM No.	TURNS RATIO		REPLACEMENT DATA					NOTES
	PRI.	SEC.	REALTONE PART No.	MERIT PART No.	STANCOR PART No.	THORDARSON PART No.	TRIAD PART No.	
T1	1.3	1	LI-009					

## TRANSFORMER (AUDIO OUTPUT)

ITEM No.	IMPEDANCE		REPLACEMENT DATA					NOTES
	PRI.	SEC.	REALTONE PART No.	MERIT PART No.	STANCOR PART No.	THORDARSON PART No.	TRIAD PART No.	
T2	200Ω CT	6-8Ω	LO-014					

## SPEAKER

ITEM No.	TYPE	REPLACEMENT DATA		NOTES
		REALTONE PART No.	QUAM PART No.	
SPI	3" PM 8Ω	AS-080	30A05Z8	

## BATTERIES

ITEM No.	VOLTAGE	REALTONE PART No.	REPLACEMENT DATA			NOTES
			BURGESS	EVEREADY	MALLORY	
M1	1.5V		930 (or AL-9, Hg-9)	1015 (or E9L, E9)	M-15R (or MNI500, ZM-9)	4 Required

## MISCELLANEOUS

ITEM No.	PART NAME	REALTONE PART No.	NOTES
M2 M3	Tuning Cap. Detector (SD-46)	CV-019	

## CABINETS & CABINET PARTS

(When Ordering Specify Model, Chassis & Color)

ITEM	PART No.	ITEM	PART No.
Knob - Tuning	P81-0008	Cabinet	C-1844
Knob - Volume	P81-0009		