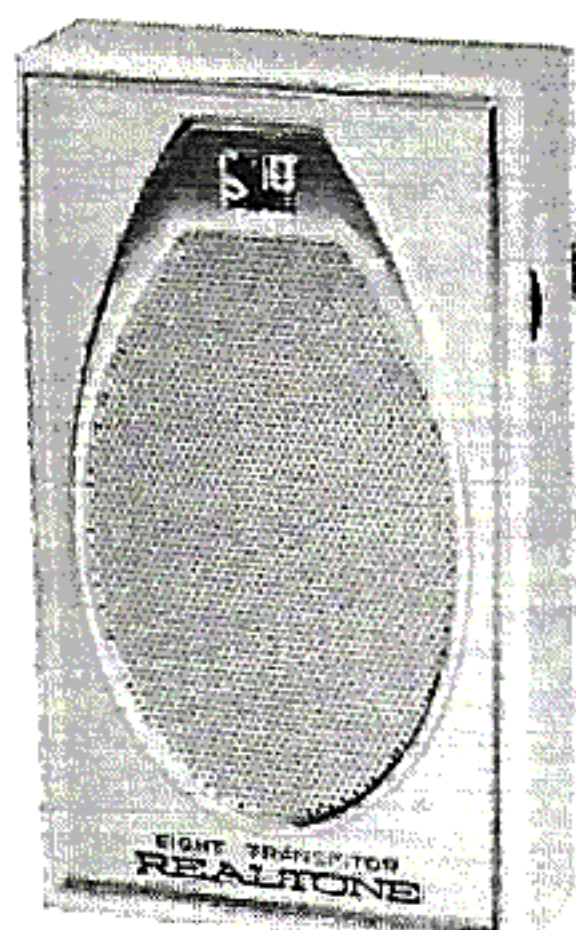


PHOTOFACT[®] with

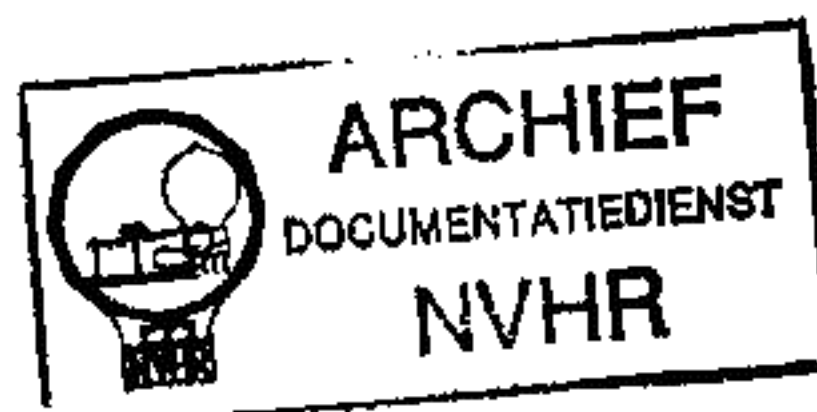
CIRCUITRACE[®]



Met dank aan Jef Bos

TRADE NAME : Realtone Model TR-1843
 SUPPLIER : Realtone Electronics
 71 Fifth Ave., New York 3, N. Y.
 TYPE SET : 8 Transistor AM Receiver
 POWER SUPPLY : 9 Volts DC
 RATING : 6MA @ 9VDC (No Signal, Min. Volume)
 8MA @ 9VDC (Signal, Normal Volume)
 TUNING RANGE : BROADCAST 540 - 1620KC

Ned. Ver. v. Historie v/d Radio



ALIGNMENT INSTRUCTIONS

Check for specified source voltage.

Fashion loop of several turns of wire and connect generator across loop.

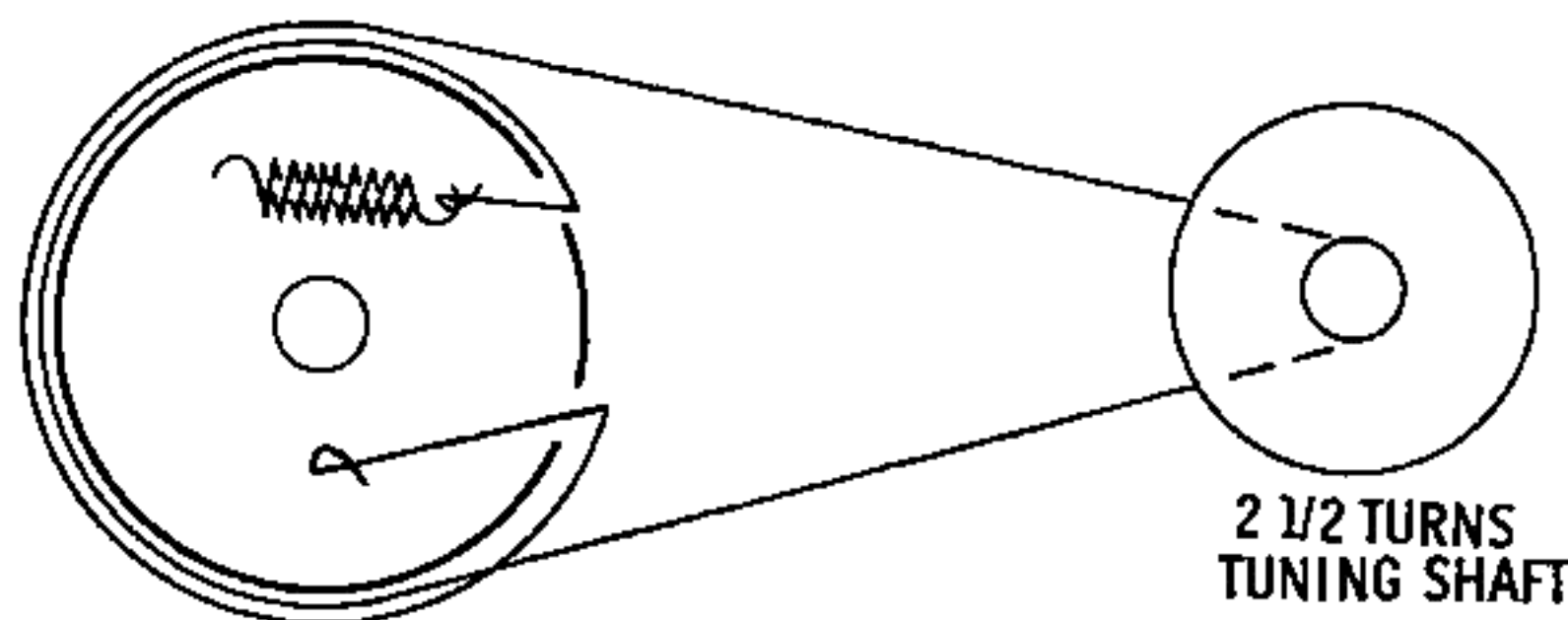
Adjust output of generator to radiate only enough signal into receiver to obtain a suitable indication.

Suggested Alignment Tools:

A1, A2, A3.... GENERAL CEMENT #5067, 8282, 8606... WALSCO #2526, 2543
 A4, A6..... GENERAL CEMENT #5000, 5066, 8290... WALSCO #2512, 2525, 2528
 A5..... GENERAL CEMENT #9440..... WALSCO #2501

	SIGNAL GENERATOR FREQUENCY	RADIO DIAL SETTING	INDICATOR	ADJUST	REMARKS
1.	455KC (400% Mod.)	Tuning gang fully open.	Output Meter across voice coil.	A1, A2, A3	Adjust for maximum. Repeat as required.
2.	1620KC	"	"	A4	Adjust for maximum.
3.	600KC	Tune to Signal.	"	A5	Rock tuning gang and adjust for maximum. Repeat steps 2 and 3.
4.	1400KC	"	"	A6	Adjust for maximum.

DIAL CORD STRINGING



HOWARD W. SAMS & CO., INC. Indianapolis 6, Indiana

TRANSISTORS

ITEM No.	ORIG. TYPE	USE	REPLACEMENT DATA			NOTES
			DELCO PART No.	GENERAL ELECTRIC PART No.	RCA PART No.	
X1	2SA285	Mixer	DS-25	GE-9		PNP
X2	2SA160	Osc.	DS-25	GE-9		PNP
X3	2SA158	1st IF Amp.	DS-25	GE-9		PNP
X4	2SA156	2nd IF Amp.	DS-25	GE-8		PNP
X5	2SB111	AF Amp.			2N406	PNP
X6	2SB111	Driver			2N406	PNP
X7	2SB116	Output			2N408	PNP
X8	2SB116	Output			2N408	PNP

POWER RECTIFIERS

ITEM No.	MEASURED CURRENT	ORIGINAL Part or Type No.	RECTIFIERS		
			MALLORY PART No.	RCA PART No.	SARKES TARZIAN PART No.
X9		SD-48			

ELECTROLYTIC CAPACITORS

ITEM No.	RATING		REPLACEMENT DATA						
	CAP.	VOLT.	REALTONE PART No.	AEROVOX PART No.	CORNELL-DUBILIER PART No.	GENERAL ELECTRIC PART No.	GENERAL INSTRUMENT PART No.	MALLORY PART No.	SPRAGUE PART No.
C1	5	6	V-5-6	CRE304A	NLW5-15	MT1-3			TE-1084
C2	.5	6	CA0.5R8	CRE300A	NLW1-6	MT1-1			TE-1080
C3	50	10	V-50-10						

FIXED CAPACITORS

ITEM No.	RATING	REMARKS	REPLACEMENT DATA						
			AEROVOX PART No.	CENTRALAB PART No.	CORNELL-DUBILIER PART No.	ELMENCO PART No.	MALLORY PART No.	SPRAGUE PART No.	
C4	.02		TTD-02	CK-203	H3			TA-120	TG-S20
C5	.02		TTD-02	CK-203	H3			TA-120	TG-S20
C6	.02		TTD-02	CK-203	H3			TA-120	TG-S20
C7	.005		TTD-005	CK-502	H1			TA-250	TG-D50
C8	.04		TTD-05	CK-503	H5			TA-150	TG-S50
C9	2		NPO-DI 2.2	DTZ-2R2	C10V22C	CCTO-2R2		CNO-522	10TCC-V22
C10	.02		TTD-02	CK-203	H3			TA-120	TG-S20
C11	.02		TTD-02	CK-203	H3			TA-120	TG-S20
C12	2		NPO-DI 2.2	DTZ-2R2	C10V22C	CCTO-2R2		CNO-522	10TCC-V22
C13	.02		TTD-02	CK-203	H3			TA-120	TG-S20
C14	.005		TTD-005	CK-502	H1			TA-250	TG-D50
C15	.04		TTD-05	CK-503	H5			TA-150	TG-S50

CONTROLS

All wattages 1/2 watt, or less, unless otherwise listed.

ITEM No.	USE	RESISTANCE	REPLACEMENT DATA				
			REALTONE PART No.	CENTRALAB PART No.	CLAROSTAT PART No.	CTS-IRC PART No.	MALLORY PART No.
R1	Volume & Switch	5000Ω	RV-020				

DESCRIPTION

COILS (RF-IF)

ITEM No.	USE	REPLACEMENT DATA					NOTES
		REALTONE PART No.	MERIT PART No.	MILLER PART No.	STANCOR PART No.	WORKMAN PART No.	
L1	Loopstick Oscillator 1st IF 2nd IF 3rd IF	HA-081					
L2		HO-082					
L3		HI-040	BC-569				
L4		HI-050	BC-570				
L5		HI-080	BC-571				

TRANSFORMER (DRIVER)

ITEM No.	TURNS RATIO		REPLACEMENT DATA					NOTES
			REALTONE PART No.	MERIT PART No.	STANCOR PART No.	THORDARSON PART No.	TRIAD PART No.	
	PRI.	SEC.						
T1	1.3	1	LI-007	A-2704		TR-39		

TRANSFORMER (AUDIO OUTPUT)

ITEM No.	IMPEDANCE		REPLACEMENT DATA					NOTES
			REALTONE PART No.	MERIT PART No.	STANCOR PART No.	THORDARSON PART No.	TRIAD PART No.	
	PRI.	SEC.						
T2	400Ω CT	6-8Ω	LO-007					

SPEAKER

ITEM No.	TYPE	REPLACEMENT DATA		NOTES
		REALTONE PART No.	QUAM PART No.	
SP1	2 1/4" PM 6-8Ω	AS-031		

BATTERIES

ITEM No.	VOLTAGE	REALTONE PART No.	REPLACEMENT DATA			NOTES
			BURGESS	EVEREADY	MALLORY	
M1	9V		2U6 (or H148)	216 (or E148)	M-1604 (or MN1604, TR-148)	

MISCELLANEOUS

ITEM No.	PART NAME	REALTONE PART No.	NOTES
M2	Tuning Cap.	CV-063	

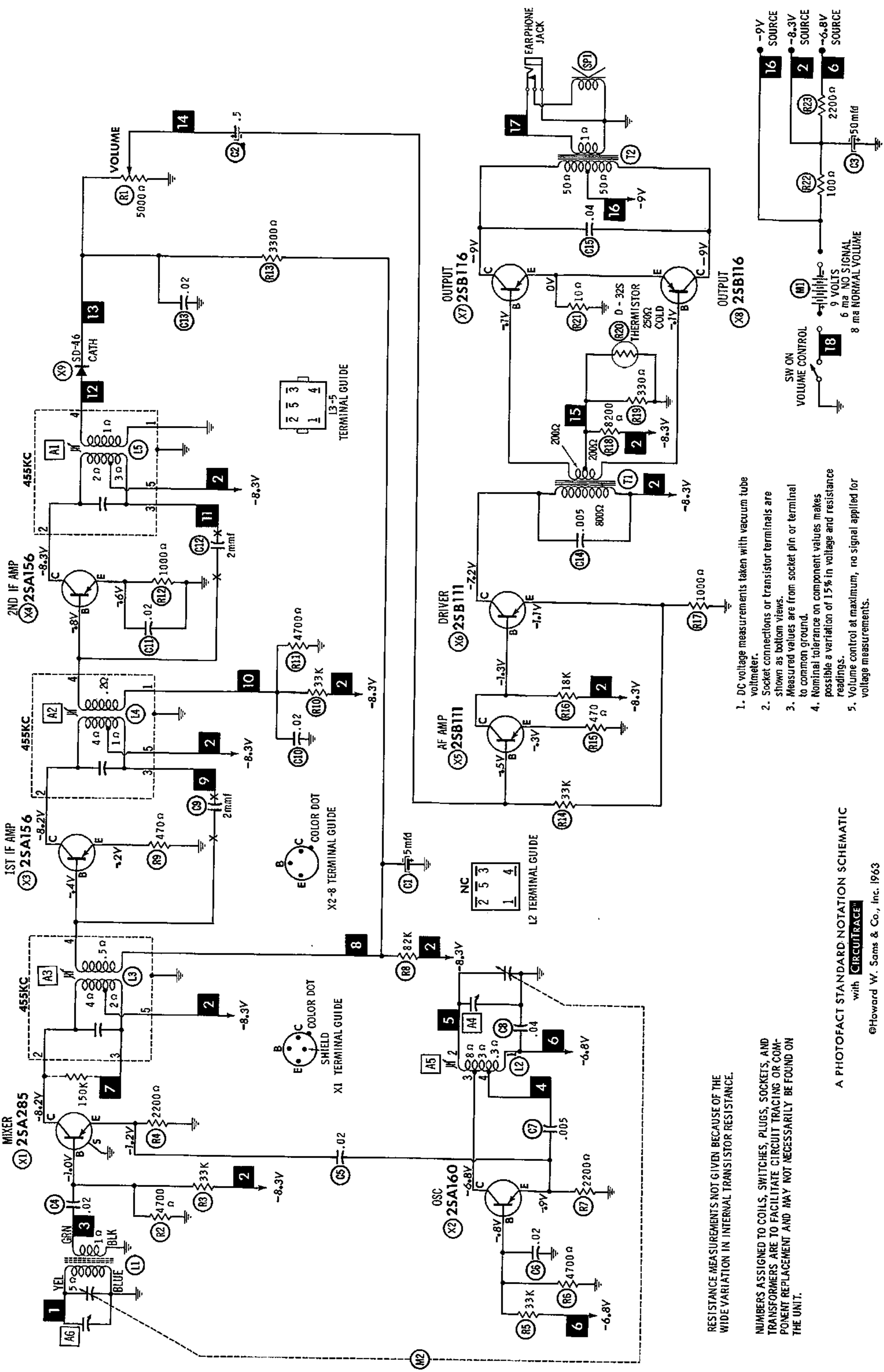
CABINETS & CABINET PARTS

(When Ordering Specify Model, Chassis & Color)

ITEM	PART No.	ITEM	PART No.
Knob - Tuning	P820-0012	Cabinet Complete	C-1843
Knob - Volume	P820-0021		

WIRING DATA

General-use Unshielded Hook-up Wire	Use BELDEN No. 8530 (Solid 22AWG)	Available in 12 Colors
	8524 (Stranded 22AWG)	
	8570 (Stranded 26AWG)	



RESISTANCE MEASUREMENTS NOT GIVEN BECAUSE OF THE WIDE VARIATION IN INTERNAL TRANSISTOR RESISTANCE.

NUMBERS ASSIGNED TO COILS, SWITCHES, PLUGS, SOCKETS, AND TRANSFORMERS ARE TO FACILITATE CIRCUIT TRACING OR COMPONENT REPLACEMENT AND MAY NOT NECESSARILY BE FOUND ON THE UNIT.

1. DC voltage measurements taken with vacuum tube voltmeter.
2. Socket connections or transistor terminals are shown as bottom views.
3. Measured values are from socket pin or terminal to common ground.
4. Nominal tolerance on component values makes possible a variation of 15% in voltage and resistance readings.
5. Volume control at maximum, no signal applied for voltage measurements.

A PHOTOFAC T STANDARD NOTATION SCHEMATIC with **CIRCUITRACE**

©Howard W. Sams & Co., Inc. 1963

