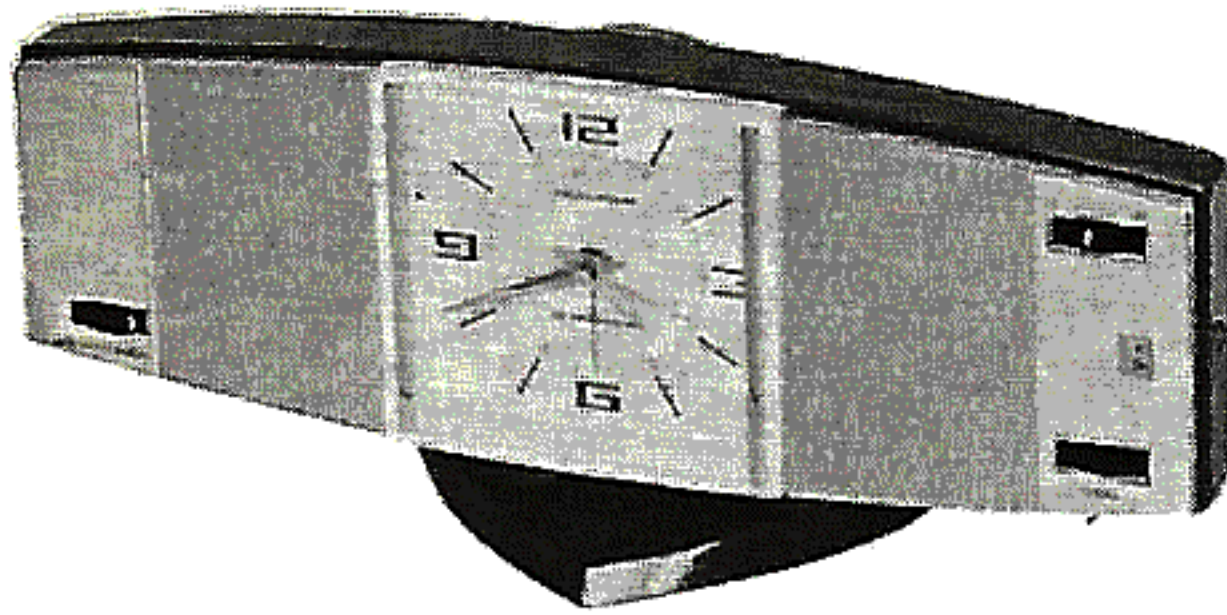


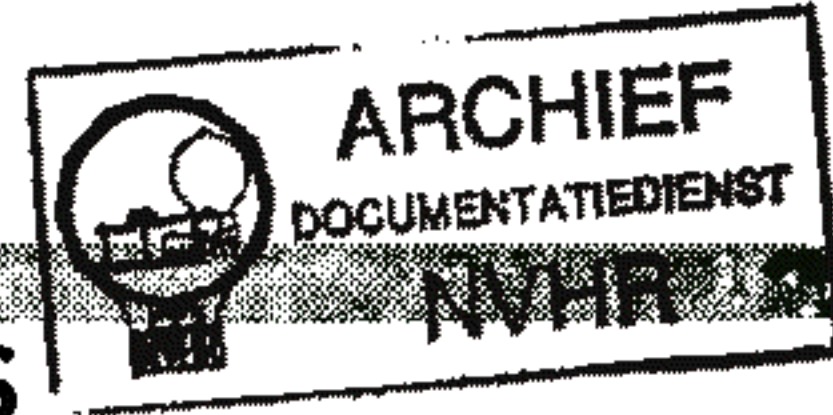
PHOTOFACT[®] with

CIRCUITRACE[®]

Met dank aan Jef Bos



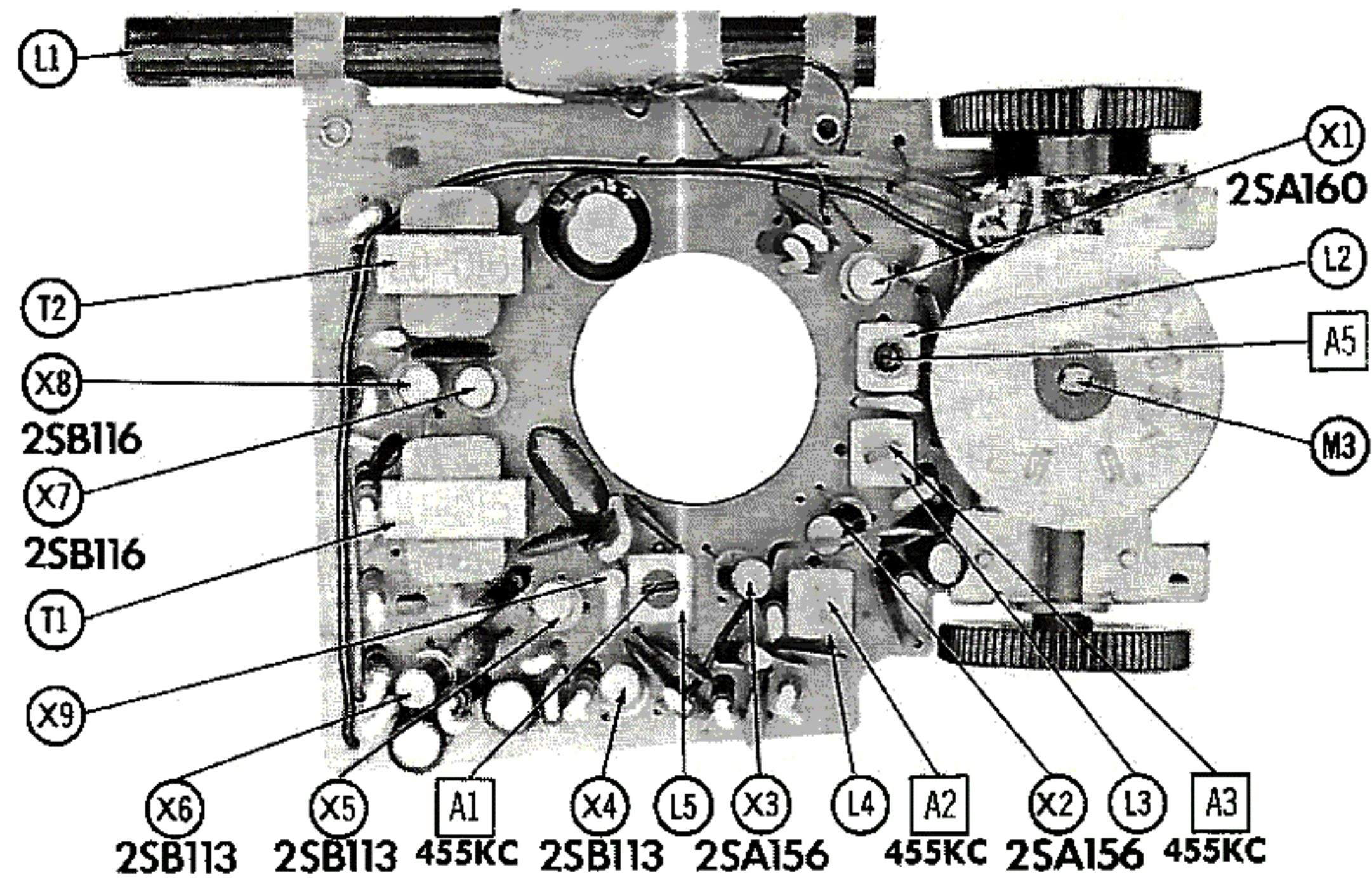
TRADE NAME: Realtone Model TR-1827
 SUPPLIER: Realtone Electronics
 71 Fifth Ave., New York 3, N. Y.
 TYPE SET: 8 Transistor AM Receiver
 POWER SUPPLY: 6 Volts DC
 RATING: 7MA @ 6 VDC (No Signal, Min. Volume)
 12MA @ 6 VDC (Signal, Normal Volume)
 TUNING RANGE: BROADCAST 525 - 1650KC
 Ned. Ver. v. Historie v/d



ALIGNMENT INSTRUCTIONS

Check for specified source voltage.
 Fashion loop of several turns of wire and connect generator across loop.
 Adjust output of generator to radiate only enough signal into receiver to obtain a suitable indication.
 Suggested Alignment Tools:
 A1, A2, A3.... GENERAL CEMENT #5067, 8282, 8606... WALSCO #2526, 2543
 A4, A6..... GENERAL CEMENT #5000, 5066, 8290... WALSCO #2512, 2525, 2528

SIGNAL GENERATOR FREQUENCY	RADIO DIAL SETTING	INDICATOR	ADJUST	REMARKS
1. 455KC (400% Mod.)	Tuning gang fully open.	Output Meter across voice coil.	A1, A2, A3	Adjust for maximum. Repeat as required.
2. 1650KC	"	"	A4	Adjust for maximum.
3. 525KC	Tune to Signal.	"	A5	Rock tuning gang and adjust for maximum. Repeat steps 2 and 3.
4. 1400KC	"	"	A6	Adjust for maximum.



HOWARD W. SAMS & CO., INC. Indianapolis 6, Indiana

TRANSISTORS

ITEM No.	ORIG. TYPE	USE	REPLACEMENT DATA			NOTES
			DELCO PART No.	GENERAL ELECTRIC PART No.	RCA PART No.	
X1	2SA160	Converter	DS-25	GE-1		PNP
X2	2SA156	1st IF Amplifier	DS-25	GE-1		PNP
X3	2SA156	2nd IF Amplifier	DS-25	GE-1		PNP
X4	2SB113	AVC Amplifier	DS-26	GE-2	2N406	PNP
X5	2SB113	AF Amplifier	DS-26	GE-2	2N406	PNP
X6	2SB113	Driver	DS-26	GE-2	2N406	PNP
X7	2SB116	Output	DS-26	GE-2	2N408	PNP
X8	2SB116	Output	DS-26	GE-2	2N408	PNP

POWER RECTIFIERS & SIGNAL DIODES

ITEM No.	MEASURED CURRENT	ORIGINAL Part or Type No.	RECTIFIERS			NOTES
			MALLORY PART No.	RCA PART No.	SARKES TARZIAN PART No.	
X9		SD-46				Detector

ELECTROLYTIC CAPACITORS

ITEM No.	RATING		REPLACEMENT DATA						
	CAP.	VOLT.	REALTONE PART No.	AEROVOX PART No.	CORNELL-DUBILIER PART No.	GENERAL ELECTRIC PART No.	GENERAL INSTRUMENT PART No.	MALLORY PART No.	SPRAGUE PART No.
C1	5	6	V-5-6	BCD6005	ECPB405	MT1-3	MLV5-6	TT6X5	VL-1084
C2	30	6	V-30-6	BCD6025	ECPB411	MT1-13	MLV30-6	TT6X30	VL-1092
C3	30	6	V-30-6	BCD6025	ECPB411	MT1-13	MLV30-6	TT6X30	VL-1092
C4	100	6	V-100-6	BCD6100	ECPB117	MT1-18	MLV100-6		VL-1100
C5	100	6	V-100-6	BCD6100	ECPB117	MT1-18	MLV100-6		VL-1100

FIXED CAPACITORS

ITEM No.	RATING	REMARKS	REPLACEMENT DATA						
			AEROVOX PART No.	CENTRALAB PART No.	CORNELL-DUBILIER PART No.	ELMENCO PART No.	MALLORY PART No.	SPRAGUE PART No.	
C6	.02		TTD-02	CK-203	H3			TA-120	TG-S20
C7	.005		TTD-005	CK-502	H1			TA-250	TG-D50
C8	.5			UK10-404	HCC10474Z				HY-330
C9	.02		TTD-02	CK-203	H3			TA-120	TG-S20
C10	.02		TTD-02	CK-203	H3			TA-120	TG-S20
C11	.02		TTD-02	CK-203	H3			TA-120	TG-S20
C12	.02		TTD-02	CK-203	H3			TA-120	TG-S20
C13	.02		TTD-02	CK-203	H3			TA-120	TG-S20
C14	.01		TTD-01	CK-103	H2			TA-110	TG-S10
C15	.02		TTD-02	CK-203	H3			TA-120	TG-S20
C16	.02		TTD-02	CK-203	H3			TA-120	TG-S20
C17	.1		TTD-1	CK-104	H6			TA-010	TG-P10
C18	.01		TTD-01	CK-103	H2			TA-110	TG-S10

CONTROLS

All wattages 1/2 watt, or less, unless otherwise listed.

ITEM No.	USE	RESISTANCE	REPLACEMENT DATA				
			REALTONE PART No.	CENTRALAB PART No.	CLAROSTAT PART No.	CTS-IRC PART No.	MALLORY PART No.
R1	Volume & Switch	5000Ω	RV026	B16-214 ①			

① Use Original Knob.

D DESCRIPTION

COILS (RF-IF)

ITEM No.	USE	REPLACEMENT DATA					NOTES
		REALTONE PART No.	MERIT PART No.	MHLER PART No.	STANCOR PART No.	WORKMAN PART No.	
L1	Loopstick Oscillator 1st IF 2nd IF 3rd IF	HA-023					
L2		HO-116	BC-572				
L3		HI-042	BC-569				
L4		HI-052	BC-570	2062	RTC-9263		
L5		HI-062	BC-571	2063	RTC-9264		

TRANSFORMER (DRIVER)

ITEM No.	TURNS RATIO		REPLACEMENT DATA					NOTES
			REALTONE PART No.	MERIT PART No.	STANCOR PART No.	THORDARSON PART No.	TRIAD PART No.	
	PRI.	SEC.						
T1	1, 2	1	LI-015					

TRANSFORMER (AUDIO OUTPUT)

ITEM No.	IMPEDANCE		REPLACEMENT DATA					NOTES
			REALTONE PART No.	MERIT PART No.	STANCOR PART No.	THORDARSON PART No.	TRIAD PART No.	
	PRI.	SEC.						
T2	280Ω CT	6-8Ω	LO-016					

SPEAKER

ITEM No.	TYPE	REPLACEMENT DATA		NOTES
		REALTONE PART No.	QUAM PART No.	
SP1	2 1/2" PM 6-8Ω	AS-026		

BATTERIES

ITEM No.	VOLTAGE	REALTONE PART No.	REPLACEMENT DATA			NOTES
			BURGESS	EVEREADY	MALLORY	
M1	6		930 (or AL-9, Hg-9)	1015 (or E91, E9)	M-15R (or MN1500, ZM-9)	4 Required

MISCELLANEOUS

ITEM No.	PART NAME	REALTONE PART No.	NOTES
M2 M3	Switch, Auto-Manual Tuning Cap.	CV-011	2 Gang

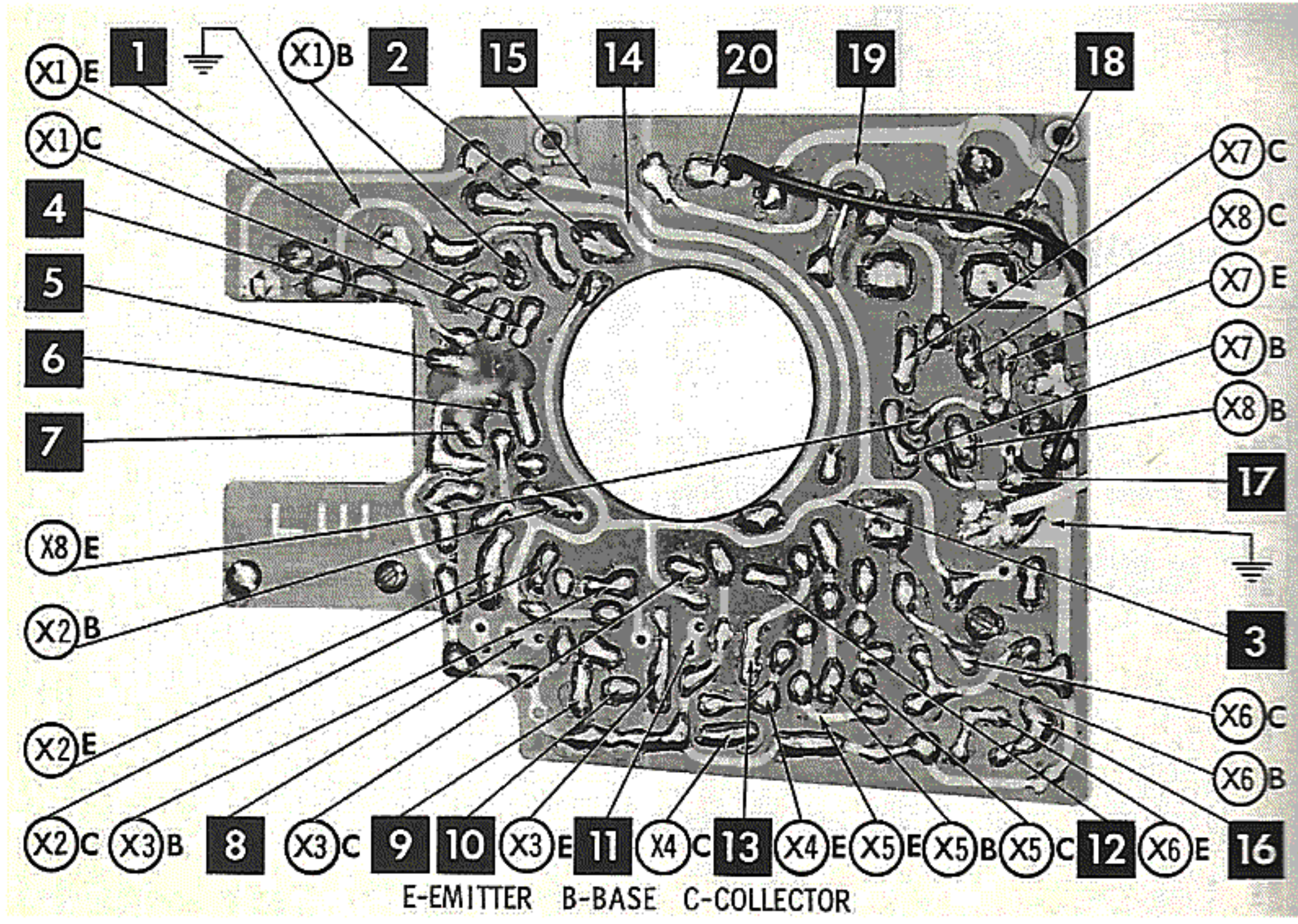
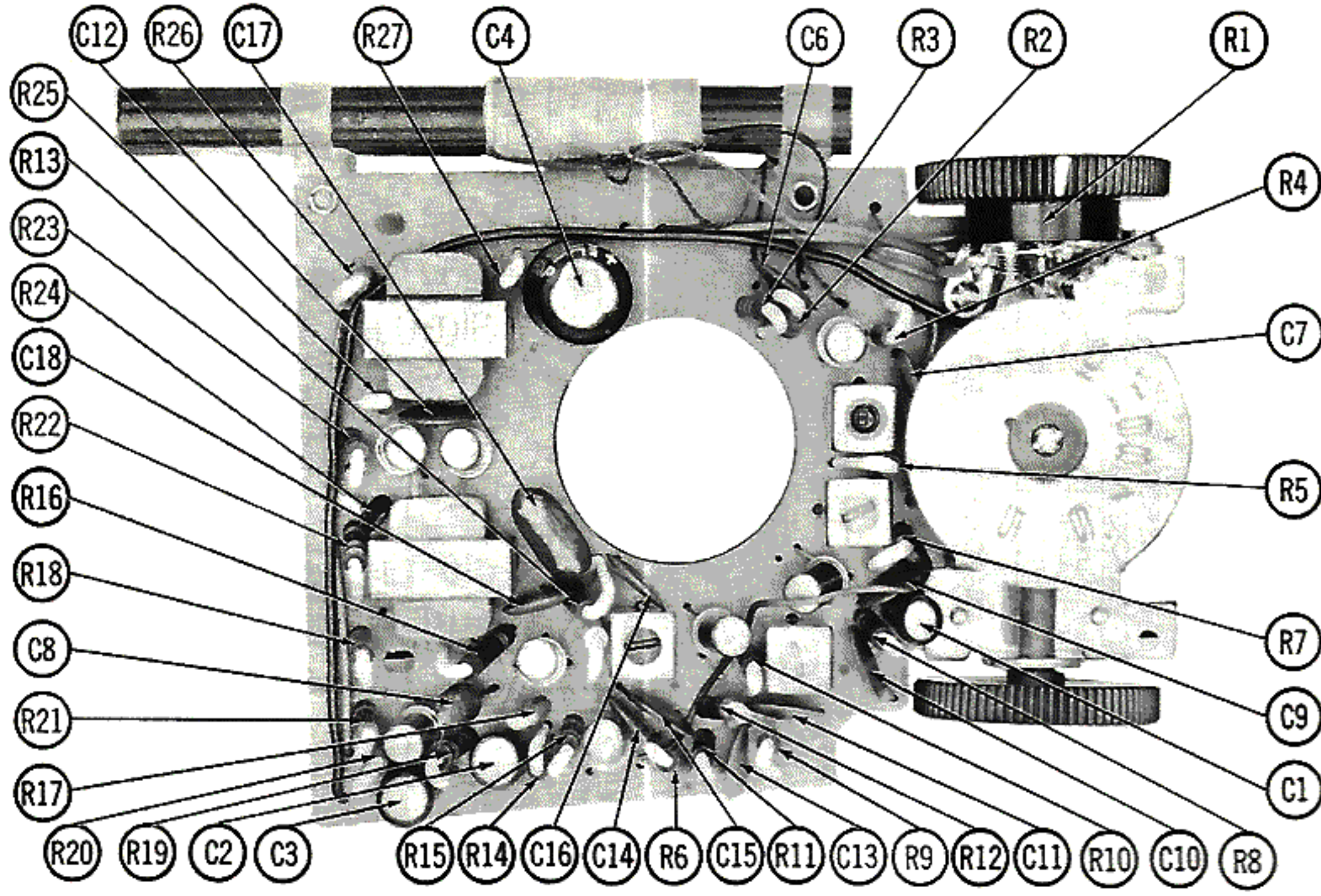
CABINETS & CABINET PARTS

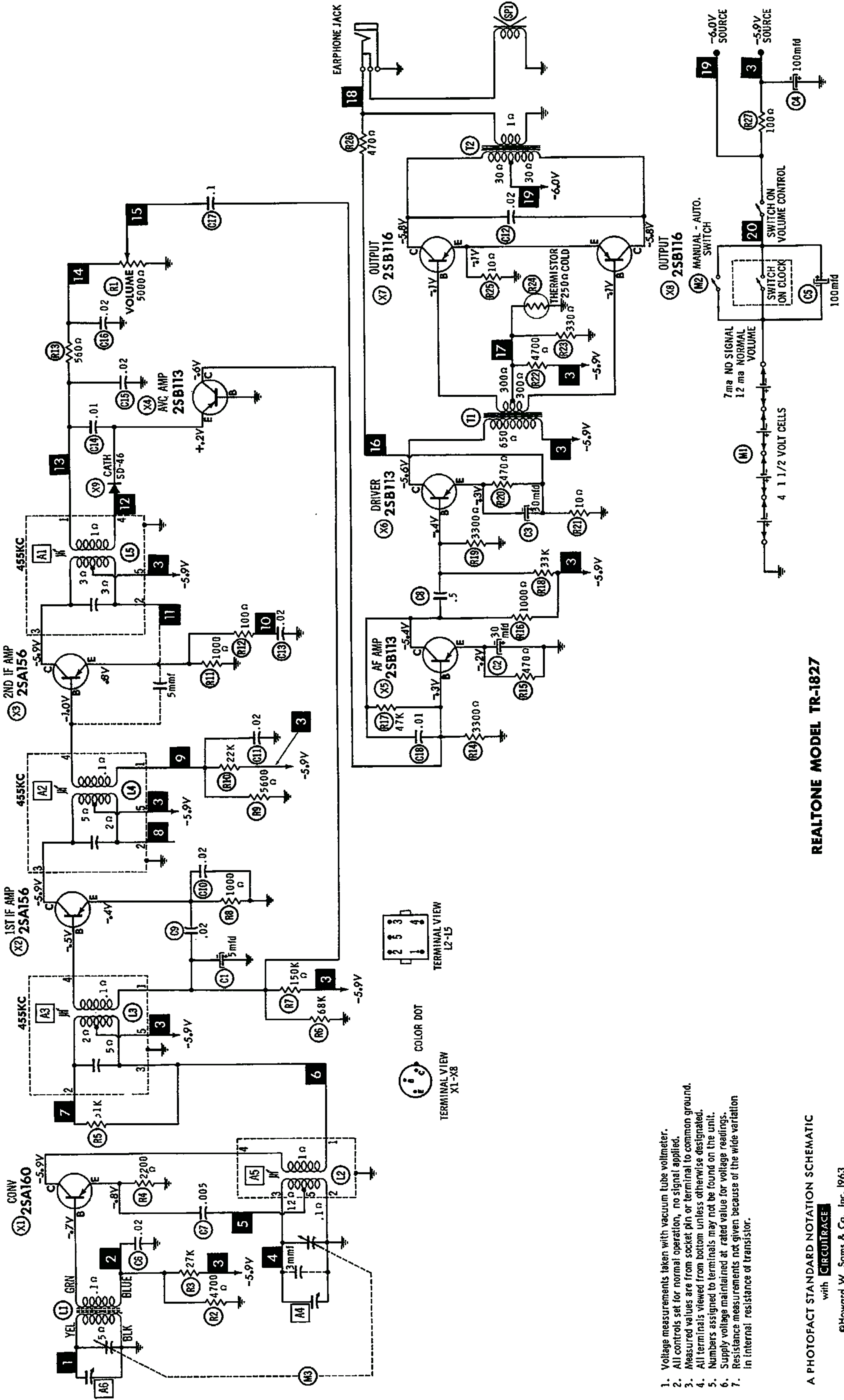
(When Ordering Specify Model, Chassis & Color)

ITEM	PART No.	ITEM	PART No.
Knob - All Controls	L111-0015	Cabinet - Complete	C-1827

WIRING DATA

General-use Unshielded Hook-up Wire	Use BELDEN No. 8530 (Solid 22AWG) 8524 (Stranded 22AWG) 8570 (Stranded 26AWG)	Available in 12 Colors
---	---	---------------------------





1. Voltage measurements taken with vacuum tube voltmeter.
2. All controls set for normal operation, no signal applied.
3. Measured values are from socket pin or terminal to common ground.
4. All terminals viewed from bottom unless otherwise designated.
5. Numbers assigned to terminals may not be found on the unit.
6. Supply voltage maintained at rated value for voltage readings.
7. Resistance measurements not given because of the wide variation in internal resistance of transistor.