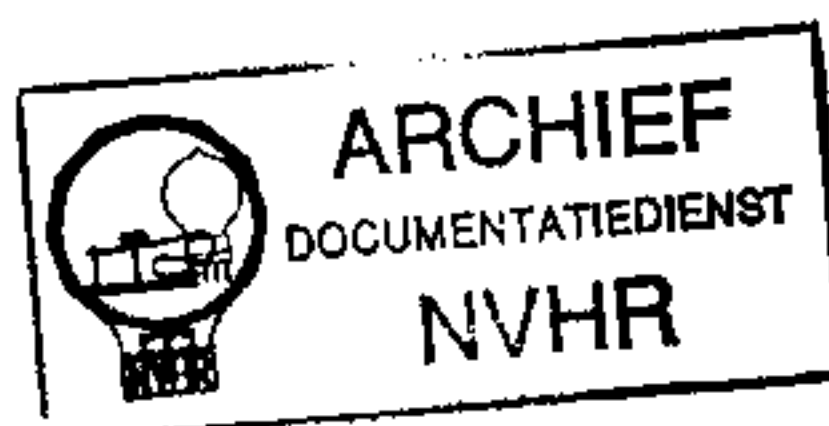


Met dank aan Jef Bos

TRADE NAME : Realtone Model TR-1628
 SUPPLIER : Realtone Electronics,
 71 Fifth Ave., New York 3, N. Y.
 TYPE SET : 6 Transistor AM Receiver
 POWER SUPPLY : 9 Volts DC
 RATING : 4MA@9 VDC (No Signal, Min. Volume)
 8MA@9 VDC (Signal, Normal Volume)
 TUNING RANGE: BROADCAST 530 -- 1650KC

Ned. Ver. v. Historie v/d Radio



ALIGNMENT INSTRUCTIONS

Check for specified source voltage.

Fashion loop of several turns of wire and connect generator across loop.

Adjust output of generator to radiate only enough signal into receiver to obtain a suitable indication.

Suggested Alignment Tools:

A1 thru A4, A7, A8..... GENERAL CEMENT #5000, 5066, 9089...WALSCO #2515, 2516, 2518
 A5..... GENERAL CEMENT #9302
 A6..... GENERAL CEMENT #8282, 9302, 9440
 WALSCO #2526, 2543, 2544

	SIGNAL GENERATOR FREQUENCY	RADIO DIAL SETTING	INDICATOR	ADJUST	REMARKS
1.	455KC (400v Mod.)	Tuning gang fully open.	Output Meter across voice coil.	A1, A2, A3	Adjust for maximum. Repeat as required.
2.	1620KC	"	"	A4	Adjust for maximum.
3.	600KC	Tune to Signal.	"	A5, A6	Rock tuning gang and adjust for maximum. Repeat steps 2 and 3.
4.	1400KC	"	"	A7,A8	Adjust for maximum.

WIRING DATA

General-use Unshielded Hook-up Wire	Use BELDEN No. 8530 (Solid 22AWG) 8524 (Stranded 22AWG) 8570 (Stranded 26AWG)	Available in 12 Colors
---	---	------------------------------

TRANSISTORS

ITEM No.	ORIG. TYPE	USE	REPLACEMENT DATA			NOTES
			DELCO PART No.	GENERAL ELECTRIC PART No.	RCA PART No.	
X1	2SA73	Converter	DS-25	GE-1		PNP
X2	2SA49	1st IF Amplifier	DS-25	GE-1		PNP
X3	2SA53	2nd IF Amplifier	DS-25	GE-1		PNP
X4	2SB54	Driver	DS-26	GE-2	2N406	PNP
X5	2SB56	Output	DS-26	GE-2	2N408	PNP
X6	2SB56	Output	DS-26	GE-2	2N408	PNP

ELECTROLYTIC CAPACITORS

ITEM No.	RATING		REPLACEMENT DATA						
	CAP.	VOLT.	REALTONE PART No.	AEROVOX PART No.	CORNELL-DUBILIER PART No.	GENERAL ELECTRIC PART No.	MALLORY PART No.	PYRAMID PART No.	SPRAGUE PART No.
C1	5	6	V-5-6	CRE304	NLW5-15	MT1-3			TE-1084
C2	10	6	V-10-6	CRE307	NLW10-6				TE-1087
C3	30	6	V-30-6						
C4	100	10	V-100-10						

FIXED CAPACITORS

ITEM No.	RATING	REMARKS	REPLACEMENT DATA					
			AEROVOX PART No.	CENTRALAB PART No.	CORNELL-DUBILIER PART No.	ELMENCO PART No.	MALLORY PART No.	SPRAGUE PART No.
C5	.02		TTD-02	CK-203	H05S2		TA-120	TG-S20
C6	.005		TTD-005	CK-502	H05D5		TA-250	TG-D50
C7	.02		TTD-02	CK-203	H05S2		TA-120	TG-S20
C8	5		NPO-DI 5.0	DTZ-4R7	C10V5C	CCTO-4R7	CNO-547	10TCC-V50
C9	.02		TTD-02	CK-203	H05S2		TA-120	TG-S20
C10	.02		TTD-02	CK-203	H05S2		TA-120	TG-S20
C11	5		NPO-DI 5.0	DTZ-4R7	C10V5C	CCTO-4R7	CNO-547	10TCC-V50
C12	.02		TTD-02	CK-203	H05S2		TA-120	TG-S20
C13	.002			DM-202				
C14	.02		TTD-02	CK-203	H05S2		TA-120	TG-S20

CONTROLS

All wattages 1/2 watt, or less, unless otherwise listed.

ITEM No.	USE	RESISTANCE	REPLACEMENT DATA				
			REALTONE PART No.	CENTRALAB PART No.	CLAROSTAT PART No.	CTS-IRC PART No.	MALLORY PART No.
R1	Volume & Switch	5000Ω	RV-010	B16-214 Ⓢ			

Ⓢ Use Original Knob.

RESISTORS (Power and Special)

ITEM No.	RATING	REPLACEMENT DATA			ITEM No.	RATING	REPLACEMENT DATA		
		IRC PART No.	WORKMAN PART No.	REMARKS			IRC PART No.	WORKMAN PART No.	REMARKS
R18	200Ω (Cold)			#D-32S					

DESCRIPTION

COILS (RF-IF)

ITEM No.	USE	REPLACEMENT DATA					NOTES
		REALTONE PART No.	MERIT PART No.	MILLER PART No.	STANCOR PART No.	WORKMAN PART No.	
L1	Loopstick Oscillator 1st IF 2nd IF 3rd IF	HA-082b		2009			① Alternate Part #HI-080
L2		HO-017	BC-572	2060	RTC-9261		
L3		HI-040	BC-569	2061	RTC-9262		
L4		HI-050	BC-570	2062	RTC-9263		
L5		HI-063①	BC-571	2063	RTC-9264		

TRANSFORMER (DRIVER)

ITEM No.	TURNS RATIO		REPLACEMENT DATA				NOTES
			REALTONE PART No.	MERIT PART No.	STANCOR PART No.	THORDARSON PART No.	
T1	PRI. 1.3	SEC. 1	LI-007	A-2704		TR-39	

TRANSFORMER (AUDIO OUTPUT)

ITEM No.	IMPEDANCE		REPLACEMENT DATA				NOTES
			REALTONE PART No.	MERIT PART No.	STANCOR PART No.	THORDARSON PART No.	
T2	PRI. 300Ω CT	SEC. 6-8Ω	LO-007				

SPEAKER

ITEM No.	TYPE	REPLACEMENT DATA		NOTES
		REALTONE PART No.	QUAM PART No.	
SP1	2" PM 6-8Ω	AS-031		

BATTERIES

ITEM No.	VOLTAGE	REALTONE PART No.	REPLACEMENT DATA			NOTES
			BURGESS	EVEREADY	MALLORY	
M1	9V	1701	2U6	216	M1604 (or MN-1604, TR146)	

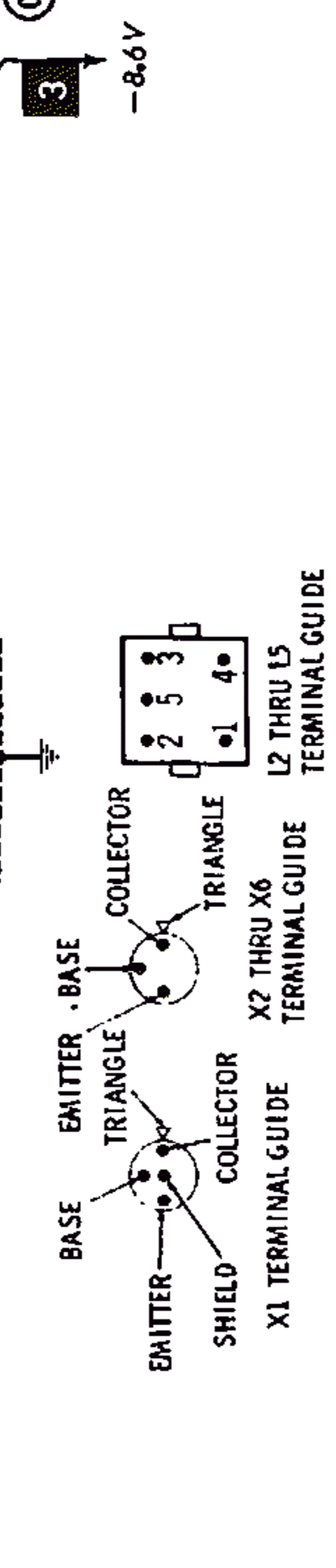
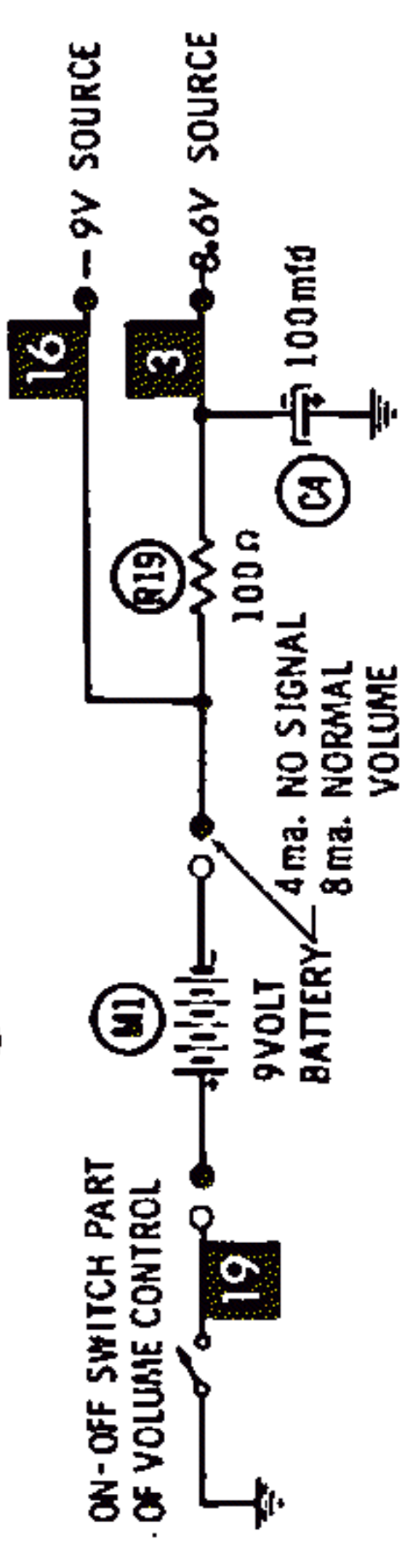
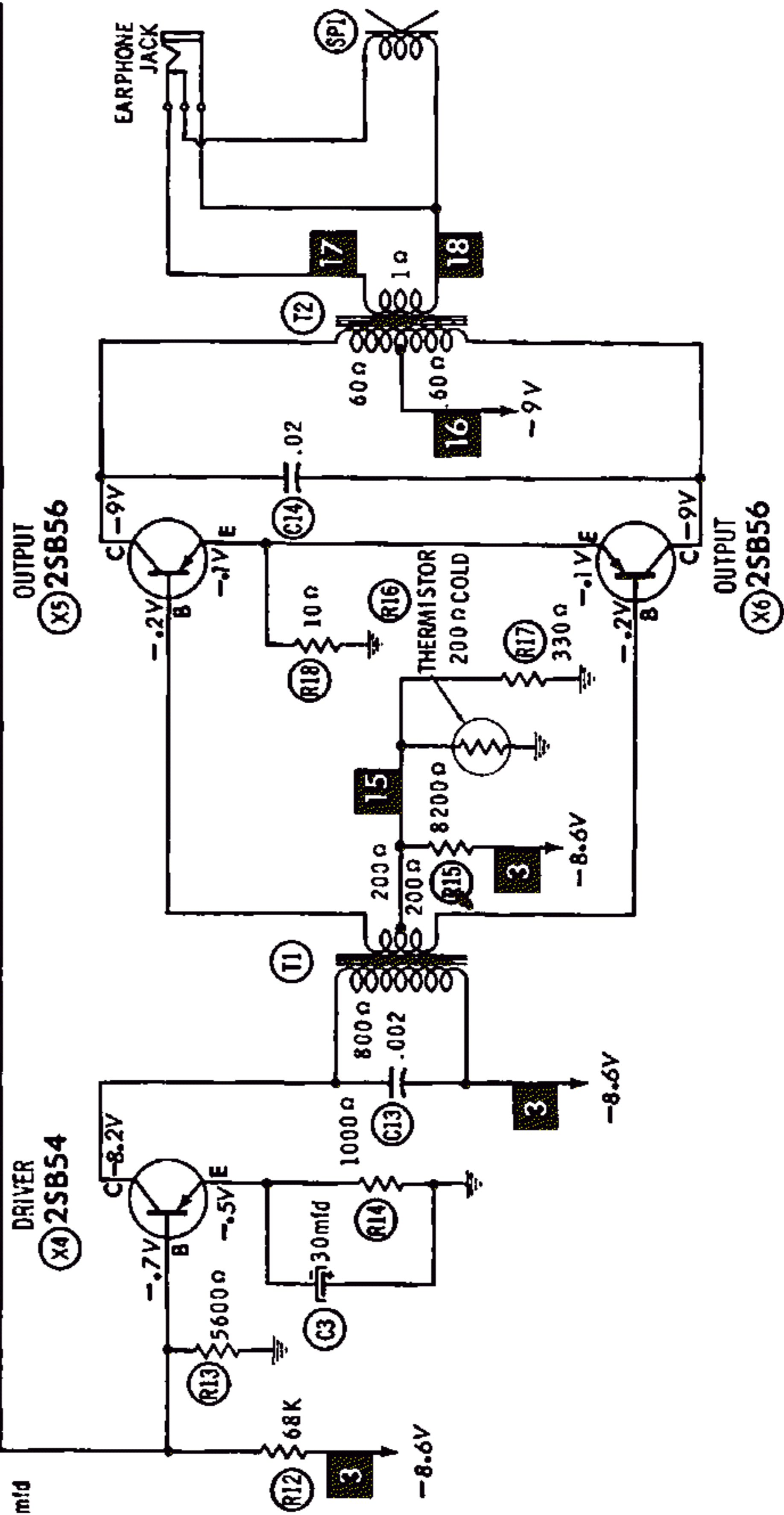
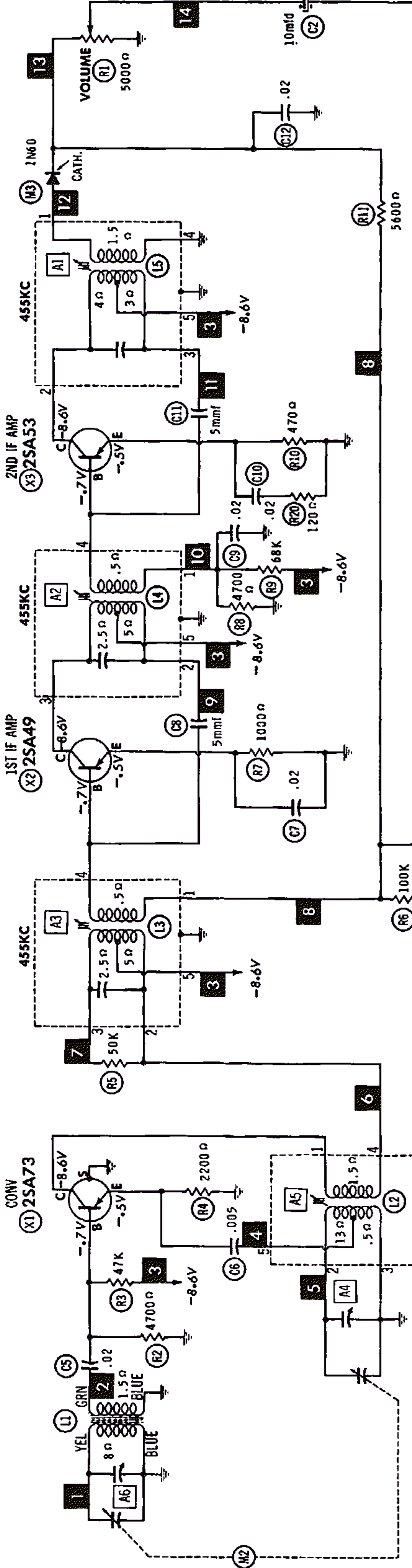
MISCELLANEOUS

ITEM No.	PART NAME	REALTONE PART No.	NOTES
M2 M3	Tuning Cap. Detector	CV-062 IN60	2 Gang

CABINETS & CABINET PARTS

(When Ordering Specify Model, Chassis & Color)

ITEM	PART No.	ITEM	PART No.
Knob, Tuning Knob, Volume	P-67-0004 P-67-0005	Cabinet	C-1628



1. Voltage measurements taken with vacuum tube voltmeter.
2. All controls set for normal operation, no signal applied.
3. Measured values are from socket pin or terminal to common ground.
4. All terminals viewed from bottom unless otherwise designated.
5. Numbers assigned to terminals may not be found on the unit.
6. Supply voltage maintained at rated value for voltage readings.
7. Resistance measurements not given because of the wide variation in internal resistance of transistor.

A PHOTOFAC STANDARD NOTATION SCHEMATIC

with CIRCUITRACE

Cityward, W. Sams & Co., Inc. 1963

REALTONE MODEL TR-1628

