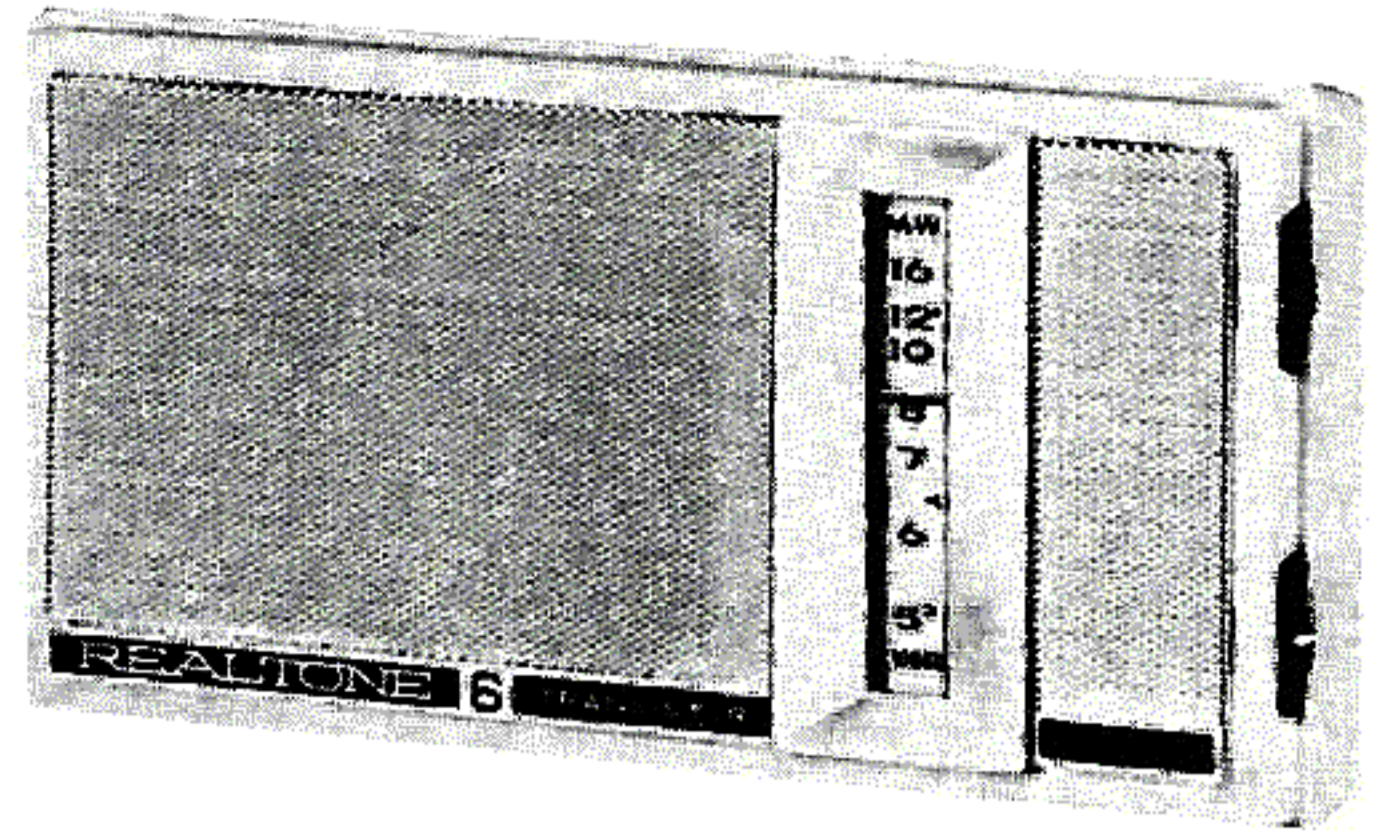




Met dank aan Jef Bos



TRADE NAME: Realtone Model TR-1618
SUPPLIER: Realtone Electronics
 71 Fifth Ave., New York 3, N. Y.
TYPE SET: 6 Transistor AM Receiver
POWER SUPPLY: 4.5 Volts DC
RATING: 10MA@4.5VDC (No Signal, Min. Volume)
 20MA@4.5VDC (Signal, Normal Volume)
TUNING RANGE: BROADCAST 535 - 1620KC

er. v. Historie v/d Radio

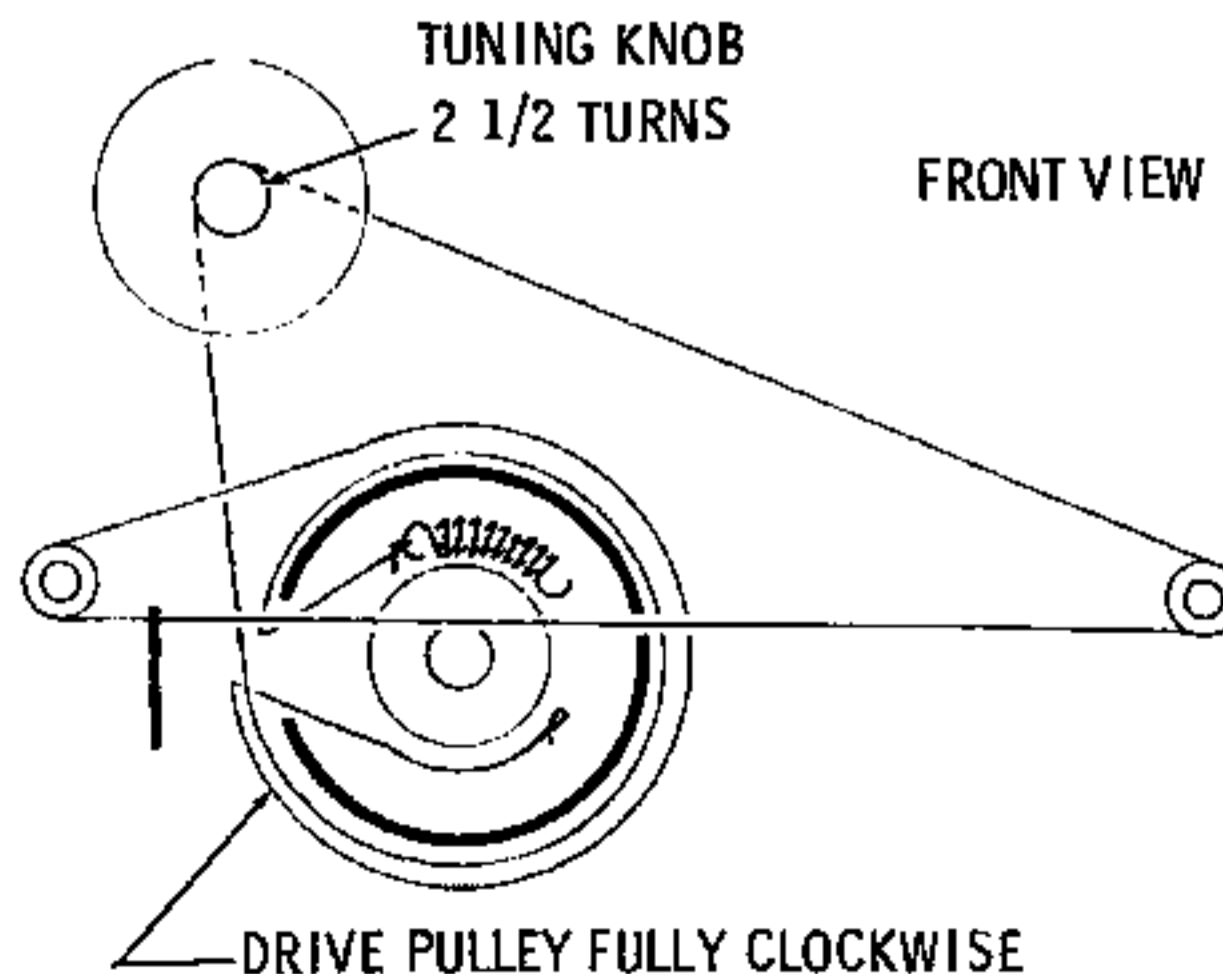
ARCHIEF
 DOCUMENTATIEDIENST
 NVHR

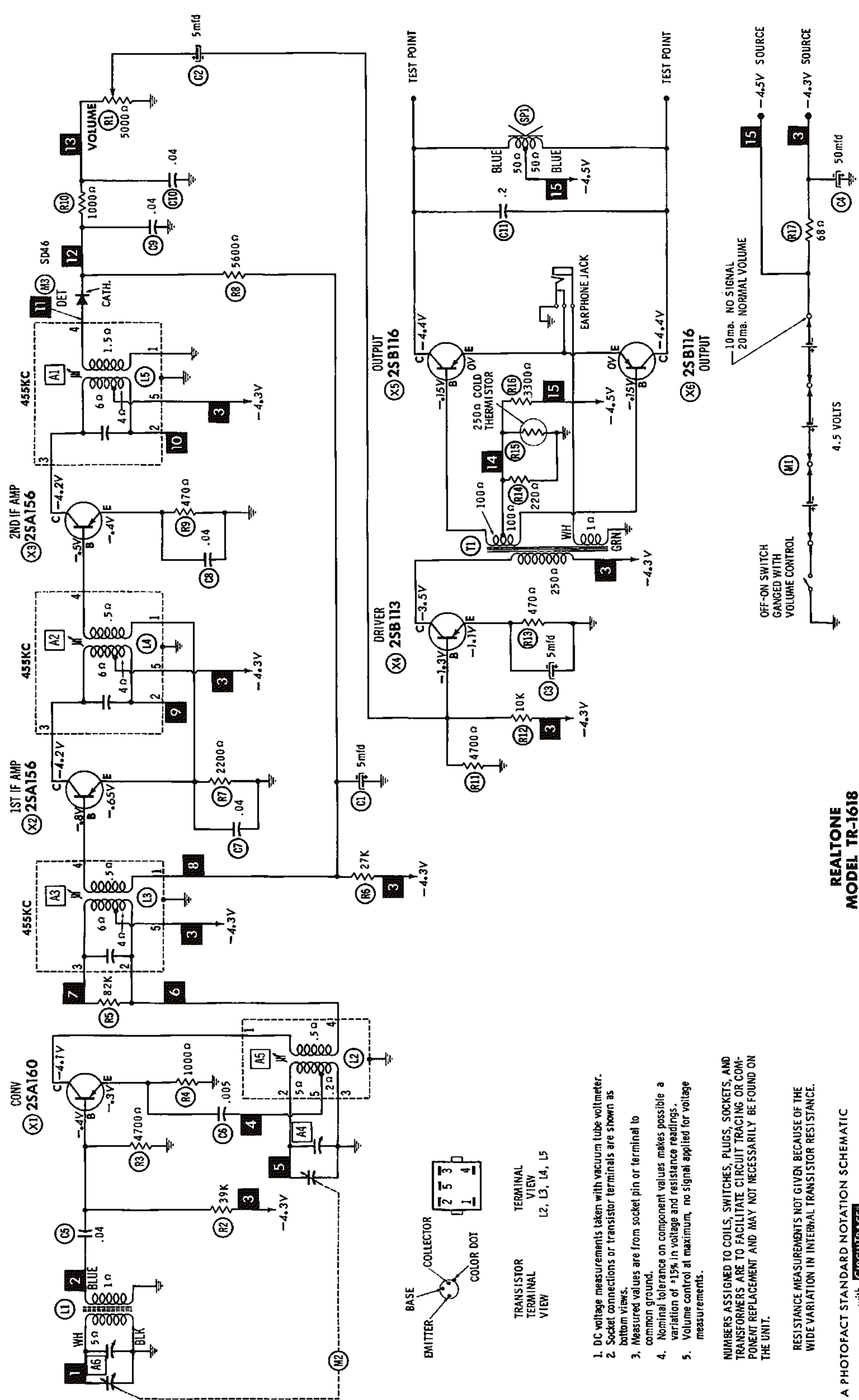
ALIGNMENT INSTRUCTIONS

Check for specified source voltage.
 Fashion loop of several turns of wire and connect generator across loop.
 Adjust output of generator to radiate only enough signal into receiver to obtain a suitable indication.
 Suggested Alignment Tools:
 A4, A6... GENERAL CEMENT #5000, 5066, 8290
 WALSCO #2525

	SIGNAL GENERATOR FREQUENCY	RADIO DIAL SETTING	INDICATOR	ADJUST	REMARKS
1.	455KC (400v Mod.)	Tuning gang fully open.	Output Meter across voice coil.	A1, A2, A3	Adjust for maximum. Repeat as required.
2.	1620KC	"	"	A4	Adjust for maximum.
3.	600KC	Tune to Signal.	"	A5	Rock tuning gang and adjust for maximum. Repeat steps 2 and 3.
4.	1400KC	"	"	A6	Adjust for maximum.

DIAL CORD STRINGING





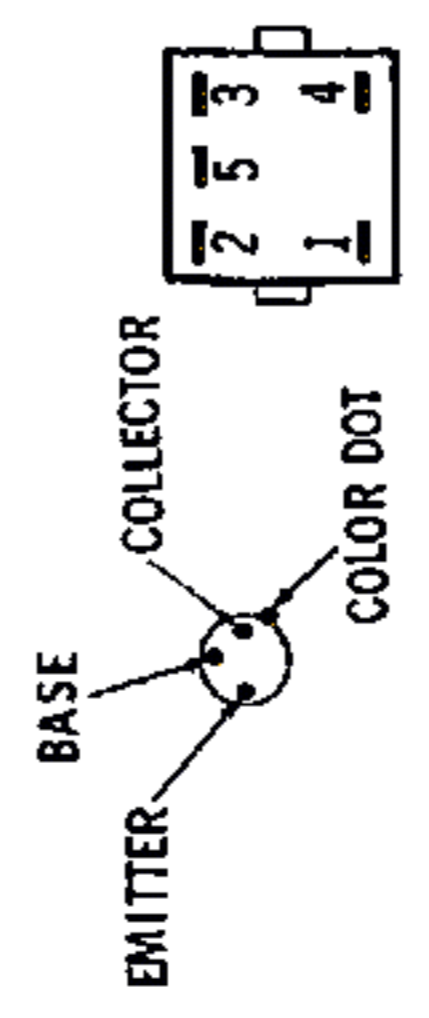
**REALTONE
MODEL TR-1618**

A PHOTOFAC STANDARD NOTATION SCHEMATIC
with **CIRCUITRACE**
©Howard W. Sams & Co., Inc. 1963

1. DC voltage measurements taken with vacuum tube voltmeter.
2. Socket connections or transistor terminals are shown as bottom views.
3. Measured values are from socket pin or terminal to common ground.
4. Nominal tolerance on component values makes possible a variation of ±15% in voltage and resistance readings.
5. Volume control at maximum, no signal applied for voltage measurements.

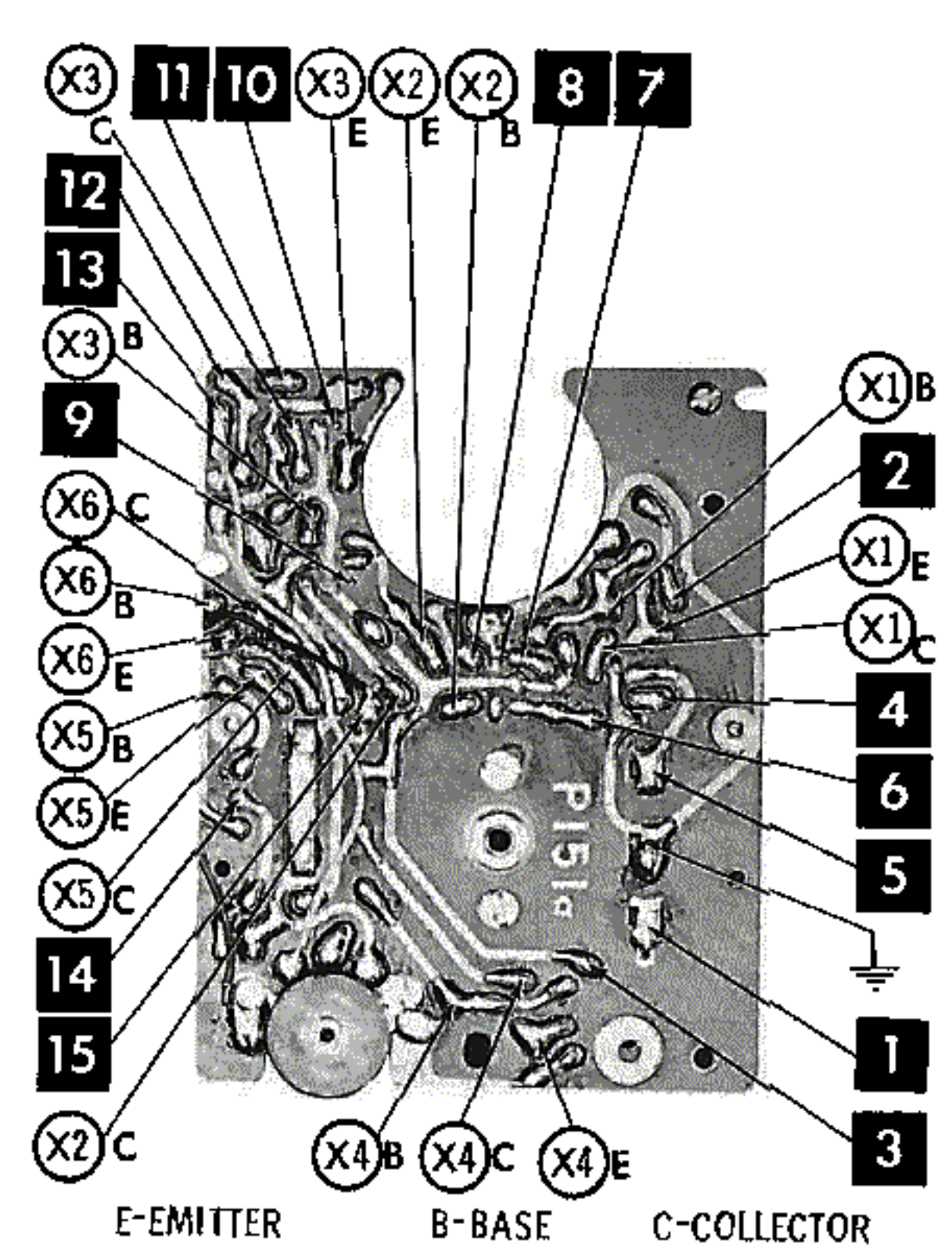
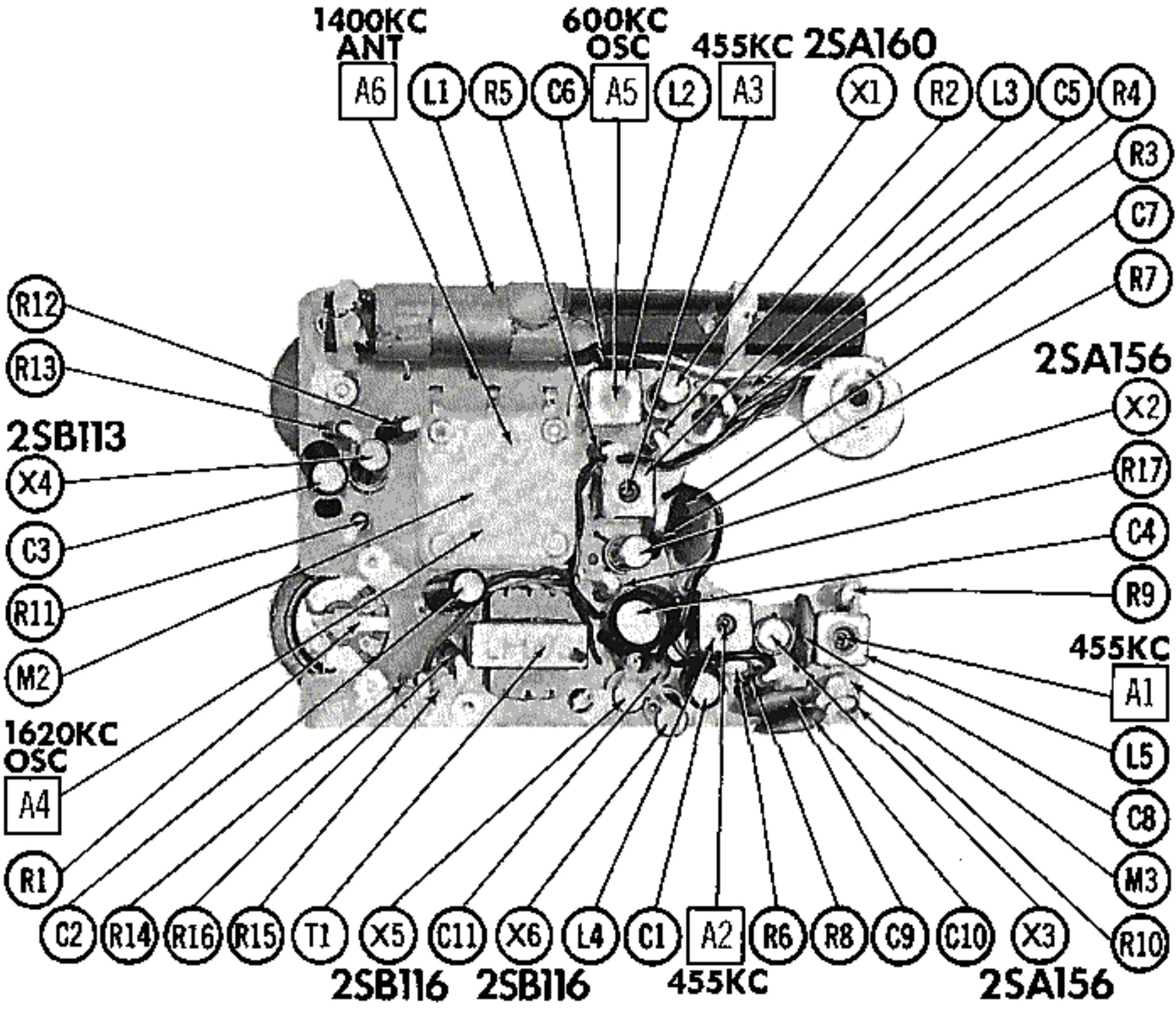
NUMBERS ASSIGNED TO COILS, SWITCHES, PLUGS, SOCKETS, AND TRANSFORMERS ARE TO FACILITATE CIRCUIT TRACING OR COMPONENT REPLACEMENT AND MAY NOT NECESSARILY BE FOUND ON THE UNIT.

RESISTANCE MEASUREMENTS NOT GIVEN BECAUSE OF THE WIDE VARIATION IN INTERNAL TRANSISTOR RESISTANCE.



TRANSISTOR TERMINAL VIEW
EMITTER COLLECTOR BASE
COLOR DOT

INDUCTOR TERMINAL VIEW
L2, L3, L4, L5



WIRING DATA

General-use Unshielded Hook-up Wire	Use BELDEN No. 8530 (Solid 22AWG)	Available in 12 Colors
	8524 (Stranded 22AWG)	
	8570 (Stranded 26AWG)	

TRANSISTORS

ITEM No.	ORIG. TYPE	USE	REPLACEMENT DATA			NOTES
			DELCO PART No.	GENERAL ELECTRIC PART No.	RCA PART No.	
X1	2SA160	Converter	DS-25		2N412	PNP
X2	2SA156	1st IF Amplifier	DS-25		2N410	PNP
X3	2SA156	2nd IF Amplifier	DS-25		2N410	PNP
X4	2SB113	Driver	DS-26	GE-2	2N406	PNP
X5	2SB116	Output			2N408	PNP
X6	2SB116	Output			2N408	PNP

ELECTROLYTIC CAPACITORS

ITEM No.	RATING		REPLACEMENT DATA						
	CAP.	VOLT.	REALTONE PART No.	AEROVOX PART No.	CORNELL-DUBILIER PART No.	GENERAL ELECTRIC PART No.	GENERAL INSTRUMENT PART No.	MALLORY PART No.	SPRAGUE PART No.
C1	5	6	V-5-6	CRE304	MLW5-15	MT1-3			TE-1084
C2	5	6	V-5-6	CRE304	NLW5-15	MT1-3			TE-1084
C3	5	6	V-5-6	CRE304	NLW5-15	MT1-3			TE-1084
C4	50	6	V-50-6						

FIXED CAPACITORS

ITEM No.	RATING	REMARKS	REPLACEMENT DATA					
			AEROVOX PART No.	CENTRALAB PART No.	CORNELL-DUBILIER PART No.	ELMENCO PART No.	MALLORY PART No.	SPRAGUE PART No.
C5	.04		TTD-05	CK-503	H05S5		TA-150	TG-S50
C6	.005		TTD-005	CK-502	H05D5		TA-250	TG-D50
C7	.04		TTD-05	CK-503	H05S5		TA-150	TG-S50
C8	.04		TTD-05	CK-503	H05S5		TA-150	TG-S50
C9	.04		TTD-05	CK-503	H05S5		TA-150	TG-S50
C10	.04		TTD-05	CK-503	H05S5		TA-150	TG-S50
C11	.2	Note 1		UK20-204	HCC25224Z			HY-325

Note 1. Some versions may use an electrolytic in this application.

CONTROLS

All wattages 1/2 watt, or less, unless otherwise listed.

ITEM No.	USE	RESISTANCE	REPLACEMENT DATA				
			REALTONE PART No.	CENTRALAB PART No.	CLAROSTAT PART No.	CTS-IRC PART No.	MALLORY PART No.
R1	Volume & Switch	5000Ω	RV-020				

D DESCRIPTION

COILS (RF-IF)

ITEM No.	USE	REPLACEMENT DATA					NOTES
		REALTONE PART No.	MERIT PART No.	MILLER PART No.	STANCOR PART No.	WORKMAN PART No.	
L1	Loopstick	HA-031					
L2	Osc.	HO-091	BC-572	2060	RTC-9261		
L3	1st IF	HI-122	BC-569	2061	RTC-9262		
L4	2nd IF	HI-132	BC-570	2062	RTC-9263		
L5	3rd IF	HI-142	BC-571	2063	RTC-9264		

TRANSFORMER (DRIVER)

ITEM No.	TURNS RATIO		REPLACEMENT DATA					NOTES
			REALTONE PART No.	MERIT PART No.	STANCOR PART No.	THORDARSON PART No.	TRIAD PART No.	
	PRI.	SEC.						
T1	1	.7	LI-003					

SPEAKER

ITEM No.	TYPE	REPLACEMENT DATA		NOTES
		REALTONE PART No.	QUAM PART No.	
SP1	2" PM 90-100Ω CT	AS-090a		

BATTERIES

ITEM No.	VOLTAGE	REALTONE PART No.	REPLACEMENT DATA			NOTES
			BURGESS	EVEREADY	MALLORY	
M1	4.5		Z (or AL-9)	915	M-15F (or MN-1500)	3 Required

MISCELLANEOUS

ITEM No.	PART NAME	REALTONE PART No.	NOTES
M2	Tuning Cap.	CV-061	
M3	Detector	SD-46	

CABINETS & CABINET PARTS

(When Ordering Specify Model, Chassis & Color)

ITEM	PART No.	ITEM	PART No.
Cabinet	C-1618	Knob	P151-0005