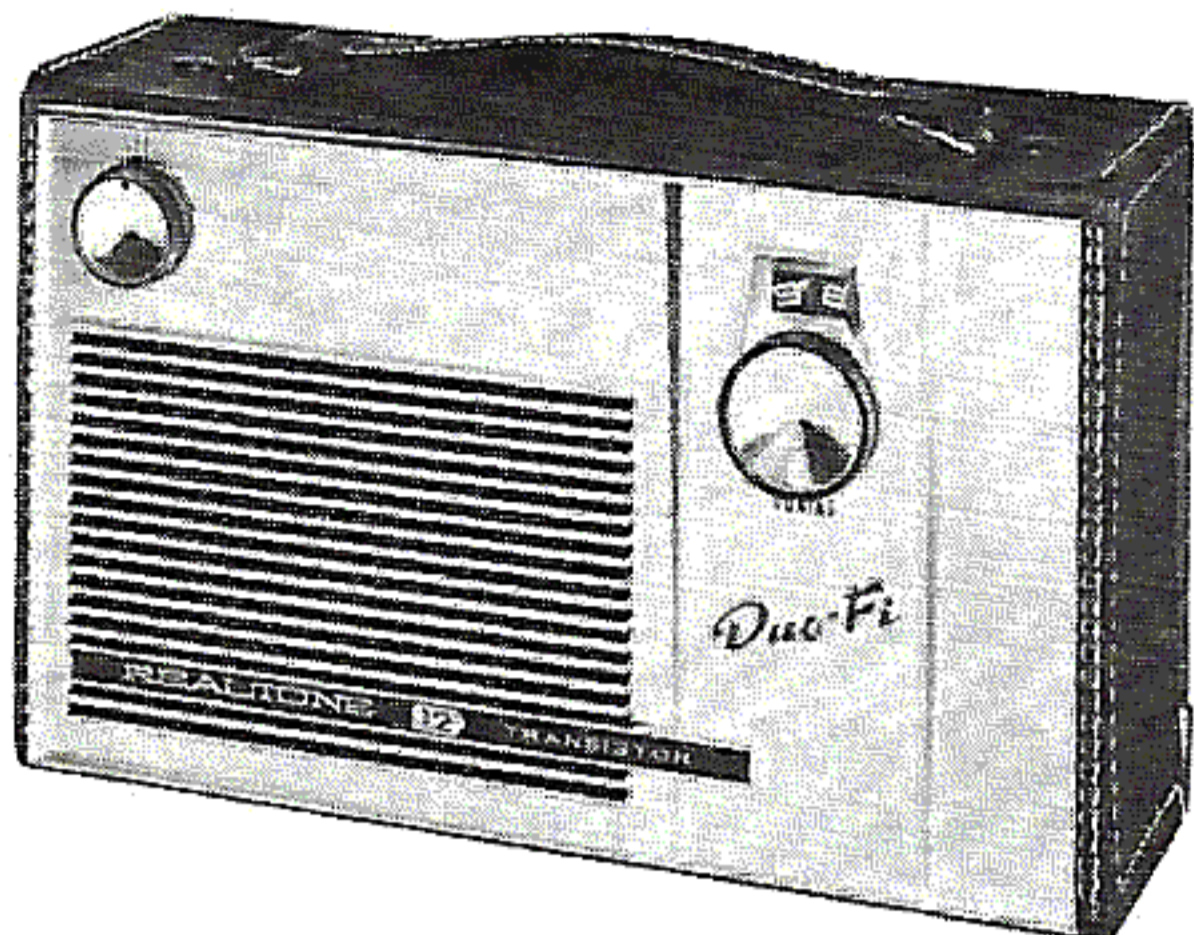


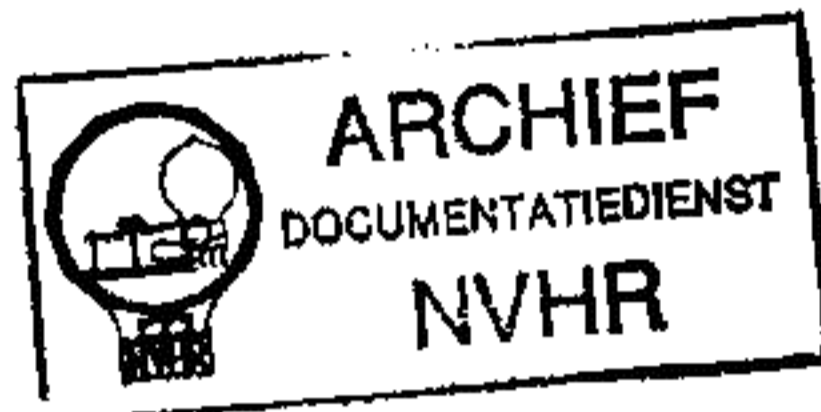


PHOTOFACT[®] with CIRCUITRACE[®]



TRADE NAME : Realtone Model TR-1256
 SUPPLIER : Realtone Electronics
 71 Fifth Ave., New York 3, N. Y.
 TYPE SET : 12 Transistor AM Receiver
 POWER SUPPLY : 6 Volts DC
 RATING : 14MA@6VDC (No Signal, Min. Volume)
 30MA@6VDC (Signal, Normal Volume)
 TUNING RANGE : BROADCAST 540 - 1620KC

Ned. Ver. v. Historie v/c

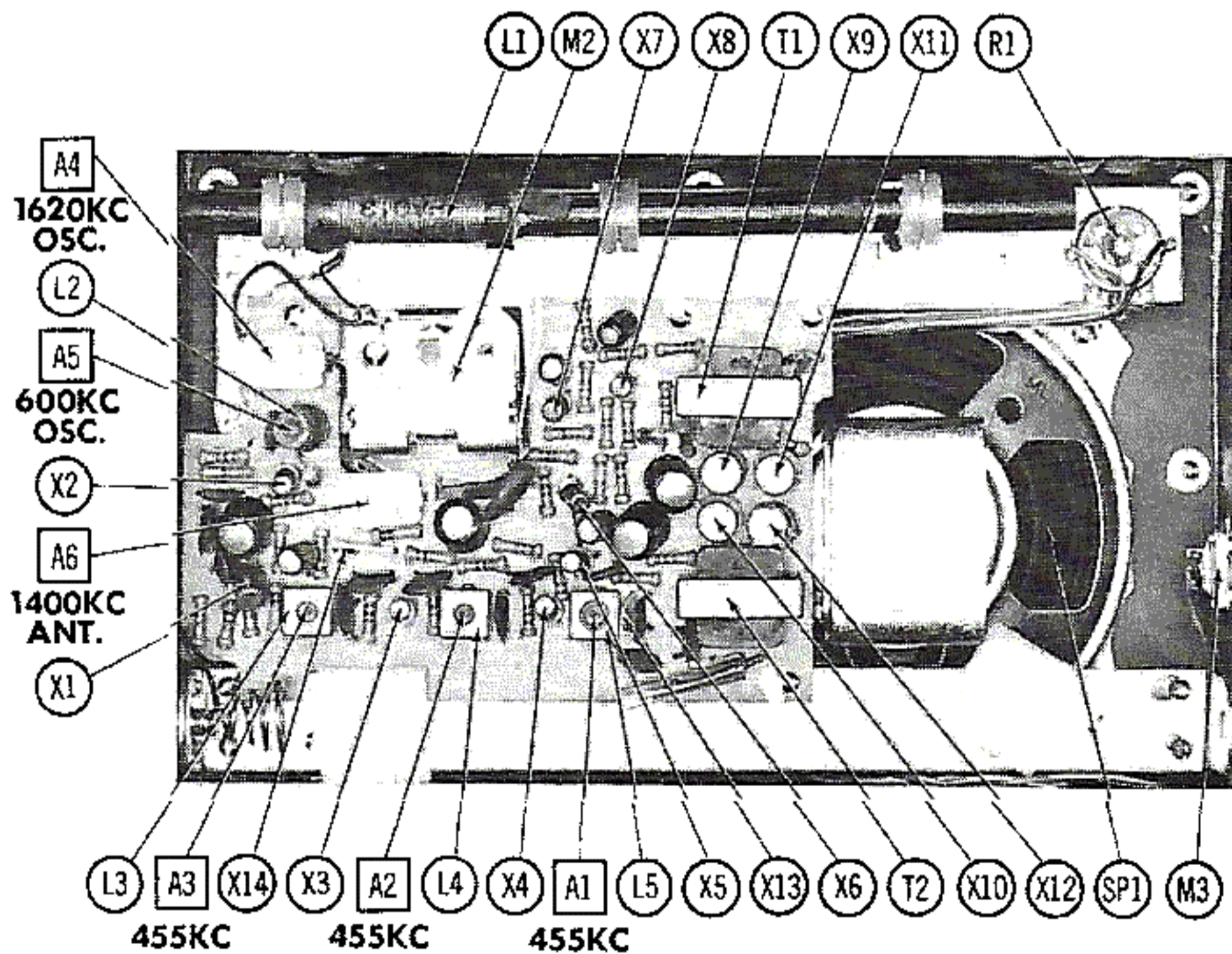


ALIGNMENT INSTRUCTIONS

Check for specified source voltage.
 Fashion loop of several turns of wire and connect generator across loop.
 Adjust output of generator to radiate only enough signal into receiver to obtain a suitable indication.
 Suggested Alignment Tools:

- A1, A2, A3, A5.....GENERAL CEMENT #9440
 WALSCO #2501
- A4, A6.....GENERAL CEMENT #5000, 8290, 9089
 WALSCO #2525, 2528

SIGNAL GENERATOR FREQUENCY	RADIO DIAL SETTING	INDICATOR	ADJUST	REMARKS
1. 455KC (400v Mod.)	Tuning gang fully open.	Output Meter across voice coil.	A1, A2, A3	Adjust for maximum. Repeat as required.
2. 1620KC	"	"	A4	Adjust for maximum.
3. 600KC	Tune to Signal.	"	A5	Rock tuning gang and adjust for maximum. Repeat steps 2 and 3.
4. 1400KC	"	"	A6	Adjust for maximum.



TRANSISTORS

ITEM No.	ORIG. TYPE	USE	REPLACEMENT DATA			NOTES
			DELCO PART No.	GENERAL ELECTRIC PART No.	RCA PART No.	
X1	2SA285	Mixer	DS-25	GE-1		PNP
X2	2SA160	Osc.	DS-25	GE-1	2N412	PNP
X3	2SA158	1st IF Amp.	DS-25	GE-1	2N410	PNP
X4	2SA156	2nd IF Amp.	DS-25	GE-1	2N410	PNP
X5	2SB113	AGC Amp.	DS-26	GE-2	2N408	PNP
X6	2SB111	1st AF Amp.	DS-26	GE-2	2N408	PNP
X7	2SB113	2nd AF Amp.	DS-26	GE-2	2N408	PNP
X8	2SB116	Driver	DS-26	GE-2	2N408	PNP
X9	2SB165	Output	DS-26	GE-2	2N109	PNP
X10	2SB165	Output	DS-26	GE-2	2N109	PNP
X11	2SB165	Output	DS-26	GE-2	2N109	PNP
X12	2SB165	Output	DS-26	GE-2	2N109	PNP

POWER RECTIFIERS & SIGNAL DIODES

ITEM No.	MEASURED CURRENT	ORIGINAL Part or Type No.	RECTIFIERS			NOTES
			MALLORY PART No.	RCA PART No.	SARKES TARZIAN PART No.	
X13		SD46				Detector Overload
X14		SD46				

ELECTROLYTIC CAPACITORS

ITEM No.	RATING		REPLACEMENT DATA						
	CAP.	VOLT.	REALTONE PART No.	AEROVOX PART No.	CORNELL-DUBILIER PART No.	GENERAL ELECTRIC PART No.	GENERAL INSTRUMENT PART No.	MALLORY PART No.	SPRAGUE PART No.
C1	10	6	V-10-6	BCD6010	ECPB408	MT1-5	MLV10-6	PET1340	VL-1087
C2	10	6	V-10-6	BCD6010	ECPB408	MT1-5	MLV10-6	PET1340	VL-1087
C3	10	6	V-10-6	BCD6010	ECPB408	MT1-5	MLV10-6	PET1340	VL-1087
C4	30	3	V-30-3	BCD3025	ECPB412	MT1-13	MLV30-6	PET130	VL-1043
C5	100	10	V-100-10	BCD10100	ECPB417	MT1-19	MLV100-10	PET1400	VL-1140
C6	100	10	V-100-10	BCD10100	ECPB417	MT1-19	MLV100-10	PET1400	VL-1140
C7	100	10	V-100-10	BCD10100	ECPB417	MT1-19	MLV100-10	PET1400	VL-1140
C8	100	10	V-100-10	BCD10100	ECPB417	MT1-19	MLV100-10	PET1400	VL-1140

FIXED CAPACITORS

ITEM No.	RATING	REMARKS	REPLACEMENT DATA					
			AEROVOX PART No.	CENTRALAB PART No.	CORNELL-DUBILIER PART No.	ELMENCO PART No.	MALLORY PART No.	SPRAGUE PART No.
C9		#CT-014						
C10	.02 50V		TTD-02	CK-203	H3		TA-120	TG-S20
C11	.04 50V		TTD-05	CK-503	H5		TA-150	TG-S50
C12	.02 50V		TTD-02	CK-203	H3		TA-120	TG-S20
C13	.005 50V		TTD-005	CK-502	H1		TA-250	TG-D50
C14		#CT-014						
C15	.04 50V		TTD-05	CK-503	H5		TA-150	TG-S50
C16	.04 50V		TTD-05	CK-503	H5		TA-150	TG-S50
C17	.04 50V		TTD-05	CK-503	H5		TA-150	TG-S50
C18	.04 50V		TTD-05	CK-503	H5		TA-150	TG-S50
C19	.04 50V		TTD-05	CK-503	H5		TA-150	TG-S50
C20	.02 50V		TTD-02	CK-203	H3		TA-120	TG-S20
C21	.02 50V		TTD-02	CK-203	H3		TA-120	TG-S20
C22	.005 50V		TTD-005	CK-502	H1		TA-250	TG-D50
C23	.1	(.2) †	TTD-1	CK-104	H6		TA-010	TG-P10
C24	.1	Note 1	TTD-1	CK-104	H6		TA-010	TG-P10
C25	.01 50V		TTD-01	CK-103	H2		TA-110	TG-S10
C26	.01 50V	Note 1	TTD-01	CK-103	H2		TA 110	TG-S10

† Alternate Value.

Realtone Part Number.

Note 1. Not used in some versions.

D DESCRIPTION

CONTROLS

All wattages 1/2 watt, or less, unless otherwise listed.

ITEM No.	USE	RESIST-ANCE	REPLACEMENT DATA				
			REALTONE PART No.	CENTRALAB PART No.	CLAROSTAT PART No.	CTS-IRC PART No.	MALLORY PART No.
R1	Volume & Switch	5000Ω	RV-043				

COILS (RF-IF)

ITEM No.	USE	REPLACEMENT DATA					NOTES
		REALTONE PART No.	MERIT PART No.	MILLER PART No.	STANCOR PART No.	WORKMAN PART No.	
L1	Loopstick Oscillator 1st IF 2nd IF 3rd IF	HA-013					
L2		HO-101					
L3		HI-073	BC-574	2066	RTC-9266		
L4		HI-082	BC-575	2067	RTC-9267		
L5		HI-092	BC-576	2068	RTC-9268		

TRANSFORMER (DRIVER)

ITEM No.	TURNS RATIO		REPLACEMENT DATA					NOTES
			REALTONE PART No.	MERIT PART No.	STANCOR PART No.	THORDARSON PART No.	TRIAD PART No.	
	PRI.	SEC.						
T1	1.8	1	LI-010					

TRANSFORMER (AUDIO OUTPUT)

ITEM No.	IMPEDANCE		REPLACEMENT DATA					NOTES
			REALTONE PART No.	MERIT PART No.	STANCOR PART No.	THORDARSON PART No.	TRIAD PART No.	
	PRI.	SEC.						
T2	72Ω	8-10Ω	LO-010					

SPEAKER

ITEM No.	TYPE	REPLACEMENT DATA		NOTES
		REALTONE PART No.	QUAM PART No.	
SP1	4" PM 8-10Ω	AS-043	4A0528	

BATTERIES

ITEM No.	VOLTAGE	REALTONE PART No.	REPLACEMENT DATA			NOTES
			BURGESS	EVEREADY	MALLORY	
M1	6		130 (or AL-1)	635 (or E93)	M-14R (or MN1400)	4 Required

MISCELLANEOUS

ITEM No.	PART NAME	REALTONE PART No.	NOTES
M2 M3	Tuning Cap. Switch(Tone)	CV-031 SH-051	

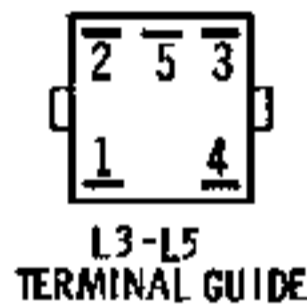
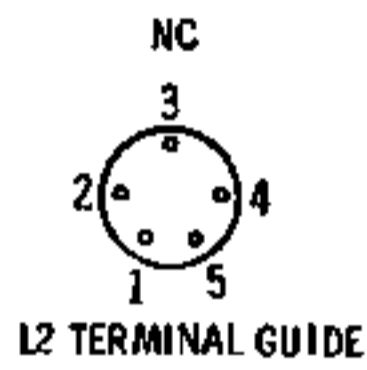
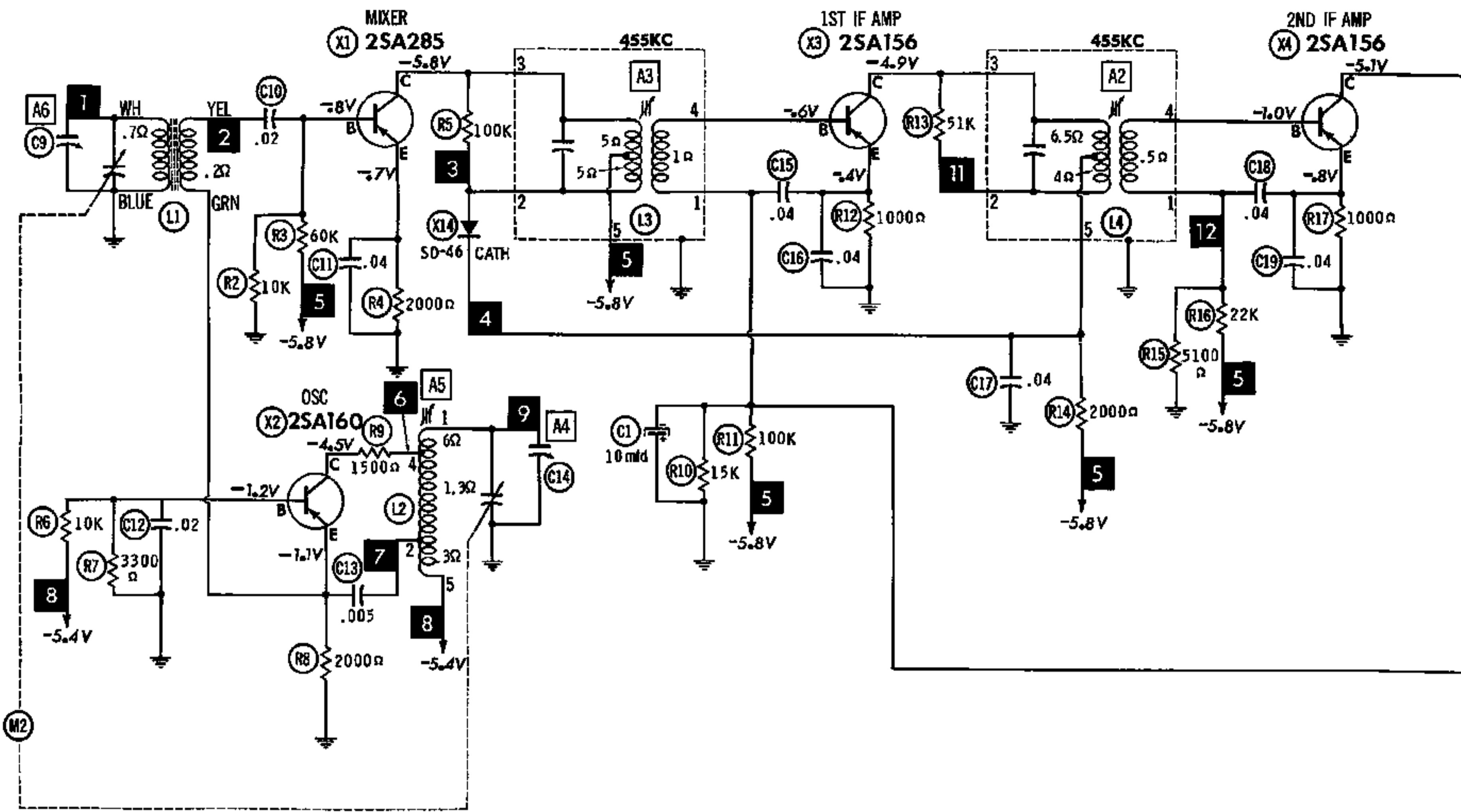
CABINETS & CABINET PARTS

(When Ordering Specify Model, Chassis & Color)

ITEM	PART No.	ITEM	PART No.
Knob - Tuning Knob - Volume	P101-0030 P101-0040	Cabinet - Complete	P1256-0001

WIRING DATA

General-use Unshielded Hook-up Wire Use BELDEN No. 8530 (Solid 22AWG) Available in 12 Colors
 8524 (Stranded 22AWG)
 8570 (Stranded 26AWG)



1. Voltage measurements taken with vacuum tube voltmeter.
2. All controls set for normal operation, no signal applied.
3. Measured values are from socket pin or terminal to common ground.
4. All terminals viewed from bottom unless otherwise designated.
5. Numbers assigned to terminals may not be found on the unit.
6. Supply voltage maintained at rated value for voltage readings.
7. Resistance measurements not given because of the wide variation in internal resistance of transistor.

