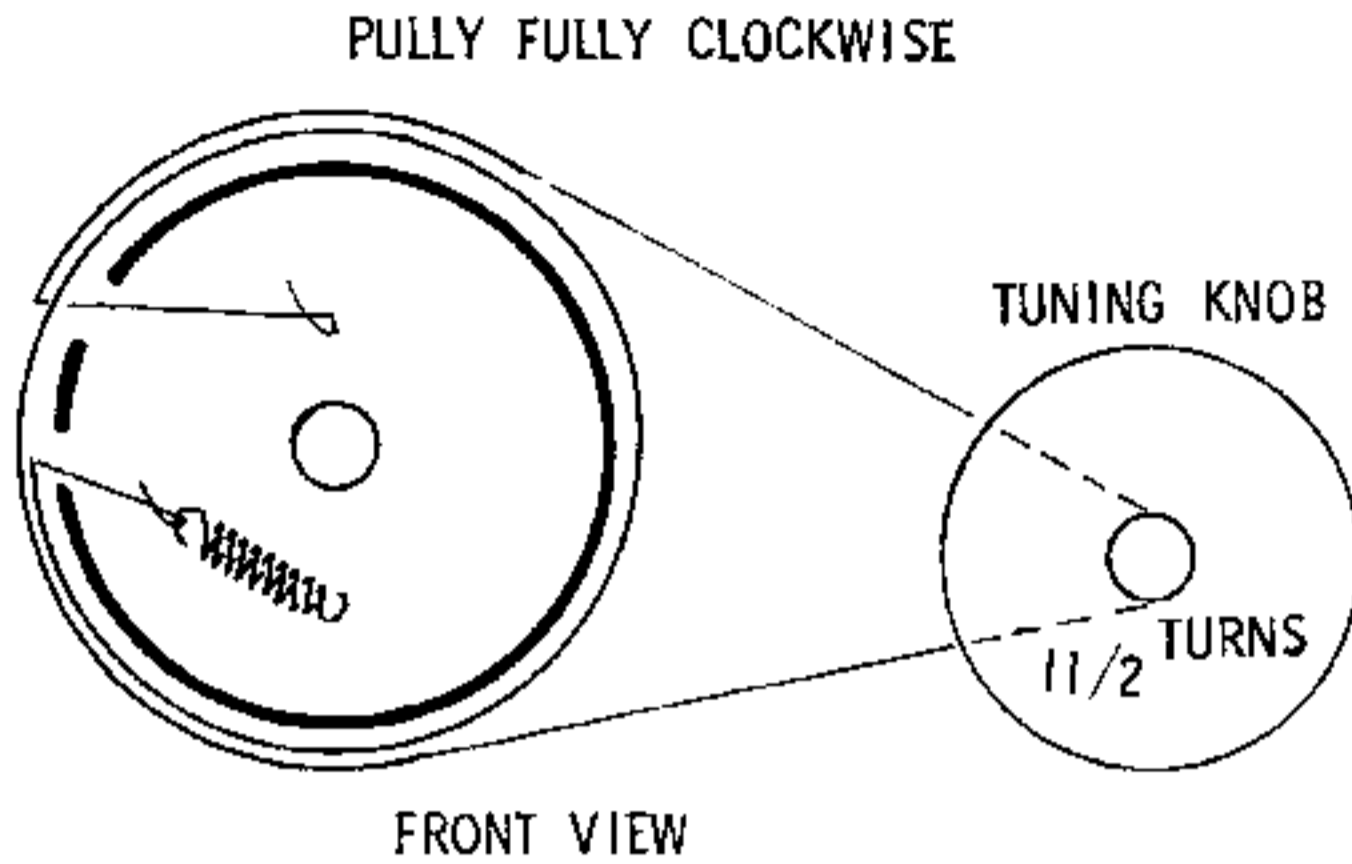
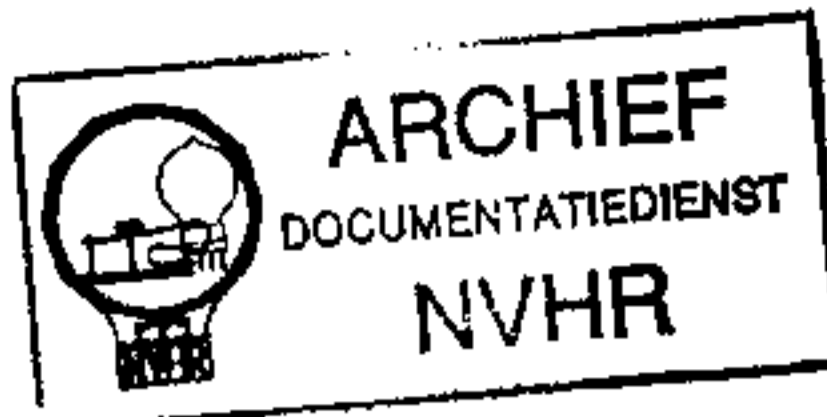


Ned. Ver. v. Historie v/d Radio

Met dank aan Jef Bos



TRADE NAME	Realtone Model TR-1088 (Comet)		
IMPORTER	Realtone Electronics, 71 Fifth Ave., New York 3, N. Y.		
TYPE SET	Battery Operated Transistorized Portable AM Receiver		
POWER SUPPLY	9 Volts DC	RATING	9MA @ 9 Volts DC (No Signal, Min. Volume)
TUNING RANGE—BROADCAST	540 — 1600KC		12MA @ 9 Volts DC (Signal, Normal Volume)

ALIGNMENT INSTRUCTIONS

ALIGNMENT INSTRUCTIONS—READ CAREFULLY BEFORE ATTEMPTING ALIGNMENT

Volume control should be at maximum position. Output of signal generator should be no higher than necessary to obtain an output reading.

Suggested Alignment Tools:

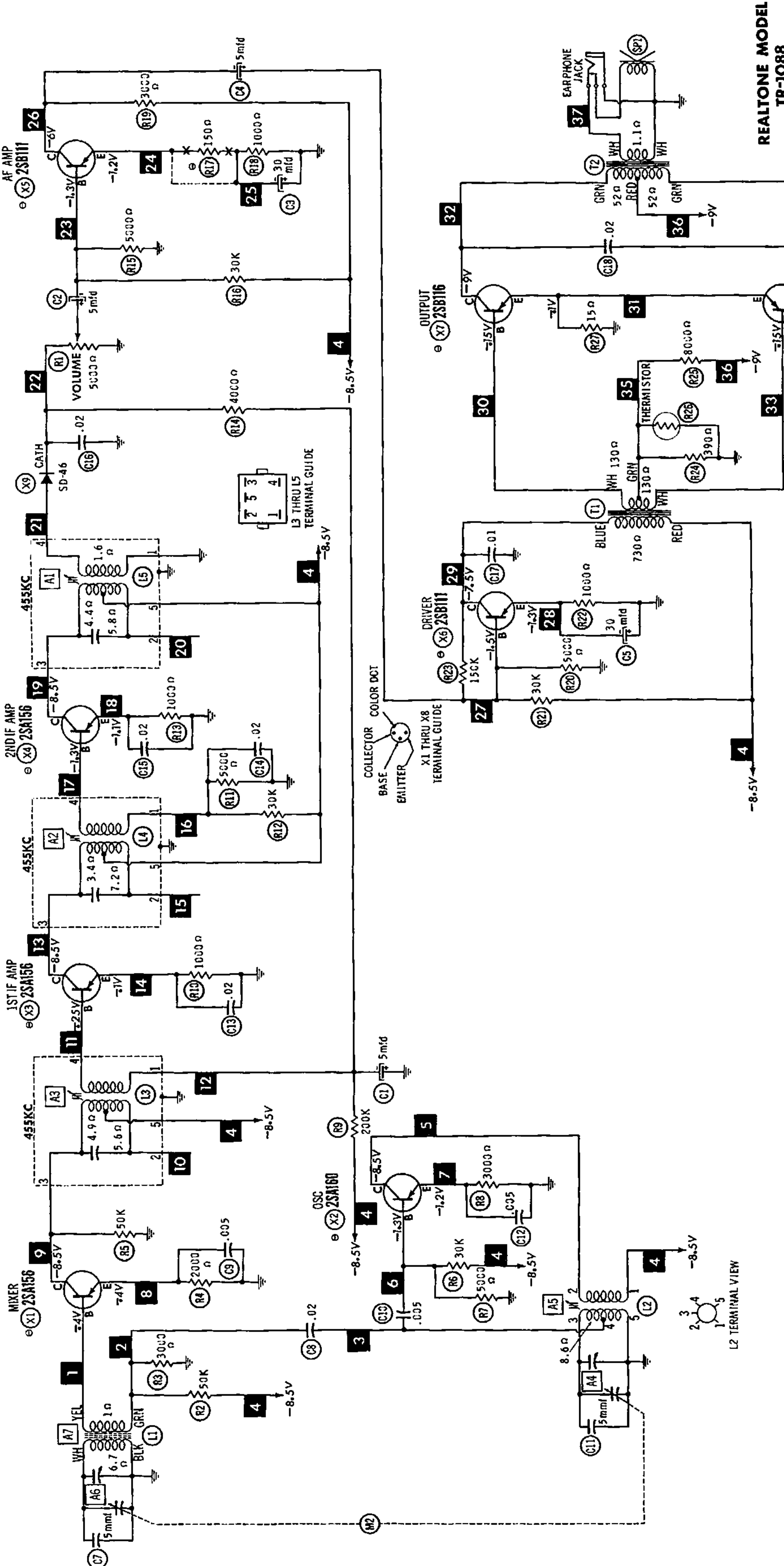
- A1, A2, A3..... GENERAL CEMENT #9440
- A4, A5, A6..... GENERAL CEMENT #5000, 5003, 5066, 8276, 8290, 9087, 9089
- WALSCO #2512, 2525, 2528

	SIGNAL GENERATOR COUPLING	SIGNAL GENERATOR FREQUENCY	RADIO DIAL SETTING	OUTPUT METER	ADJUST	REMARKS
1.	Fashion loop of several turns of wire and radiate signal into loop of receiver.	455KC (400% Mod.)	Tuning gang fully open.	Across voice coil.	A1, A2, A3	Adjust for maximum output.
2.	"	1600KC	1600KC	"	A4	"
3.	"	600KC	600KC	"	A5	Adjust for maximum output while rocking tuning gang.
4.	"	1400KC	1400KC Signal.	"	A6	Adjust for maximum output.
5.	"	600KC	600KC Signal.	"	A7	Adjust for maximum output by moving antenna coil turns along ferrite core. Repeat steps 2 thru 5.

HOWARD W. SAMS & CO., INC. Indianapolis 6, Indiana

The listing of any available replacement part herein does not constitute in any case a recommendation, warranty or guaranty by Howard W. Sams & Co., Inc., as to the quality and suitability of such replacement part. The numbers of these parts have been compiled from information furnished to Howard W. Sams & Co., Inc., by the manufacturers of LF072

the particular type of replacement part listed. Reproduction or use, without express permission, of editorial or pictorial content, in any manner, is prohibited. No patent liability is assumed with respect to the use of the information contained herein. ©1962 Howard W. Sams & Co., Inc., Indianapolis 6, Indiana. Printed in U.S. of America



**REALTONE MODEL
TR-1088**

RESISTANCE MEASUREMENTS NOT GIVEN BECAUSE OF THE WIDE VARIATION IN INTERNAL TRANSISTOR RESISTANCE.

NUMBERS ASSIGNED TO COILS, SWITCHES, PLUGS, SOCKETS, AND TRANSFORMERS ARE TO FACILITATE CIRCUIT TRACING OR COMPONENT REPLACEMENT AND MAY NOT NECESSARILY BE FOUND ON THE UNIT.

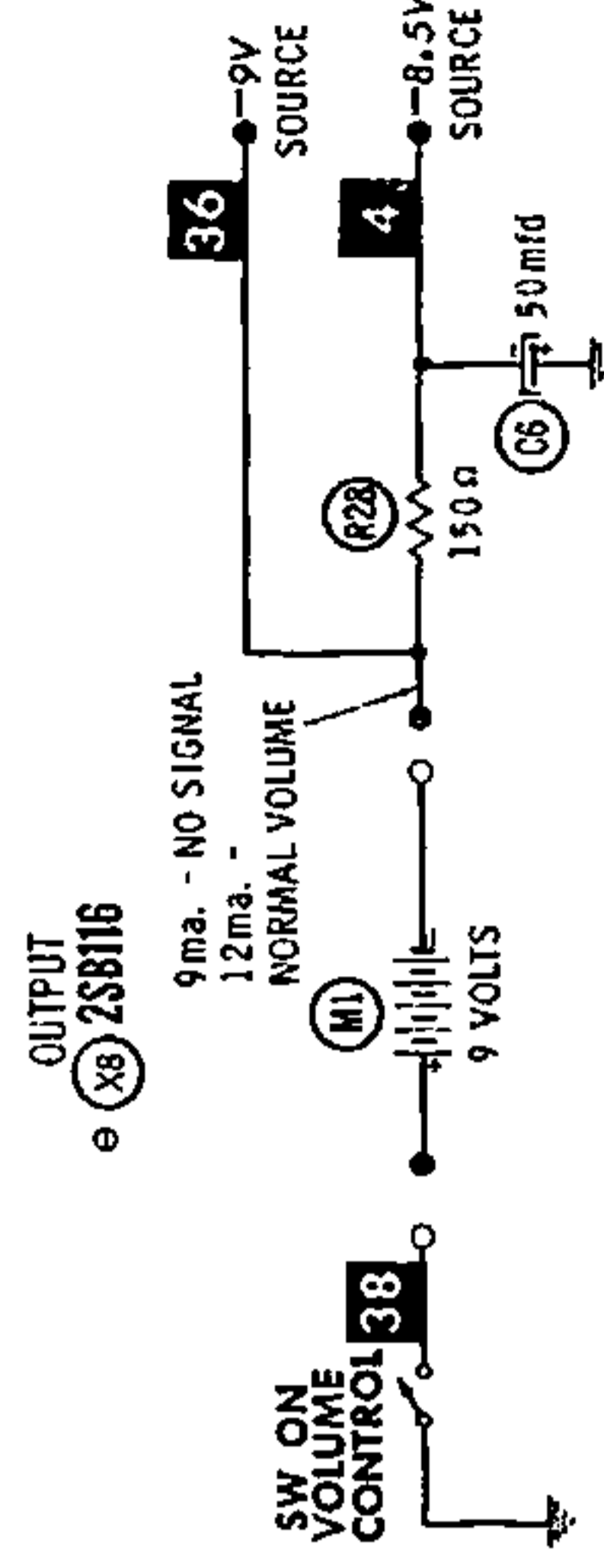
SEE PARTS LIST FOR ALTERNATE VALUE OR APPLICATION

DC COIL RESISTANCE VALUES UNDER ONE OHM NOT SHOWN ON SCHEMATIC DIAGRAM

A PHOTOFACIT STANDARD NOTATION SCHEMATIC with **Circuitrace**

© Howard W. Sams & Co. Inc. 1962

1. DC voltage measurements taken with vacuum tube voltmeter.
2. Socket connections or transistor terminals are shown as bottom views.
3. Measured values are from socket pin or terminal to common ground.
4. Nominal tolerance on component values makes possible a variation of ±15% in voltage and resistance readings.
5. Volume control at maximum, no signal applied for voltage measurements.



L2 TERMINAL VIEW

PARTS LIST AND DESCRIPTIONS

TRANSISTORS

ITEM No.	ORIG. TYPE	USE	REPLACEMENT DATA		NOTES
			RCA PART No.	RAYTHEON PART No.	
X1	2SA156 2SA155*	Mixer	2N410		PNP
X2	2SA160 2SA159*	Mixer Oscillator	2N412		PNP PNP
X3	2SA156 2SA155*	Oscillator 1st IF Amplifier	2N410		PNP PNP
X4	2SA156 2SA155*	1st IF Amplifier 2nd IF Amplifier	2N410		PNP PNP
X5	2SB111 2SB113*	2nd IF Amplifier AF Amplifier	2N408		PNP PNP
X6	2SB111 2SB113*	AF Amplifier Driver	2N408		PNP PNP
X7	2SB116 2SB114*	Driver Output	2N408		PNP PNP
X8	2SB116 2SB114*	Output Output	2N408		PNP PNP

* Alternate

POWER RECTIFIERS & SIGNAL DIODES

ITEM No.	CURRENT RATING (Measured)	ORIGINAL Part or Type No.	RECTIFIERS		DIODES		NOTES
			RCA PART No.	SARKES TARZIAN PART No.	GENERAL ELECTRIC PART No.	RAYTHEON PART No.	
X9		1088D1				1N60	Detector (SD-46)

ELECTROLYTIC CAPACITORS

ITEM No.	RATING		REALTONE PART No.	REPLACEMENT DATA					
	CAP.	VOLT.		AEROVOX PART No.	CORNELL-DUBILIER PART No.	GENERAL ELECTRIC PART No.	MALLORY PART No.	PYRAMID PART No.	SPRAGUE PART No.
C1	5	6		PTT21	NLW5-15	MT1-3	TT6X5	MLV5-8	TE-1084
C2	5	6		PTT21	NLW5-15	MT1-3	TT6X5	MLV5-8	TE-1084
C3	30	3		PTT10	NLW30-8	MT1-13	TT6X30	MLV30-8	TE-1092
C4	5	6		PTT21	NLW5-15	MT1-3	TT6X5	MLV5-8	TE-1084
C5	30	3		PTT10	NLW30-8	MT1-13	TT6X30	MLV30-8	TE-1092
C6	50	10			NLW50-10	MT1-16	TT10X50	MLV50-10	TE-1119

FIXED CAPACITORS

ITEM No.	RATING	REMARKS	REPLACEMENT DATA					
			AEROVOX PART No.	CENTRALAB PART No.	CORNELL-DUBILIER PART No.	ELMENCO PART No.	MALLORY PART No.	SPRAGUE PART No.
C7	5		DI-5	DD-050	L10V5	CCD-050	GP550	10TS-V50
C8	.02			DA-203	H-05S2		TA-120	TG-S20
C9	.005		BPD-005	DM-502	H-05D5	CCD-502	TA-250	5HK-D50
C10	.005		BPD-005	DM-502	H-05D5	CCD-502	TA-250	5HK-D50
C11	5		DI-5	DD-050	L10V5	CCD-050	GP550	10TS-V50
C12	.005		BPD-005	DM-502	H-05D5	CCD-502	TA-250	5HK-D50
C13	.02			DA-203	H-05S2		TA-120	TG-S20
C14	.02			DA-203	H-05S2		TA-120	TG-S20
C15	.02			DA-203	H-05S2		TA-120	TG-S20
C16	.02			DA-203	H-05S2		TA-120	TG-S20
C17	.01			DM-103	H-05S1		TA-110	TG-S10
C18	.02			DA-203	H-05S2		TA-120	TG-S20

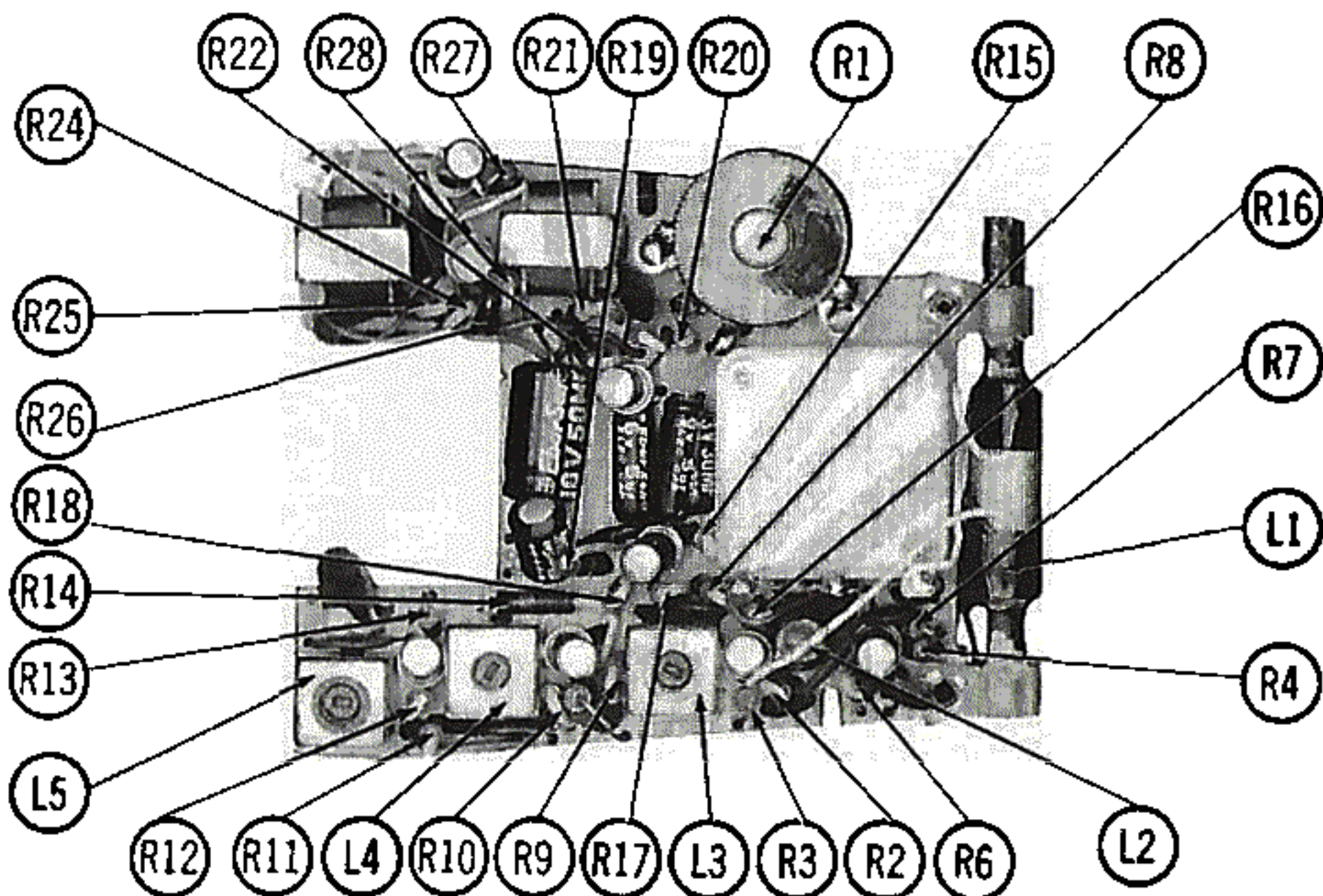
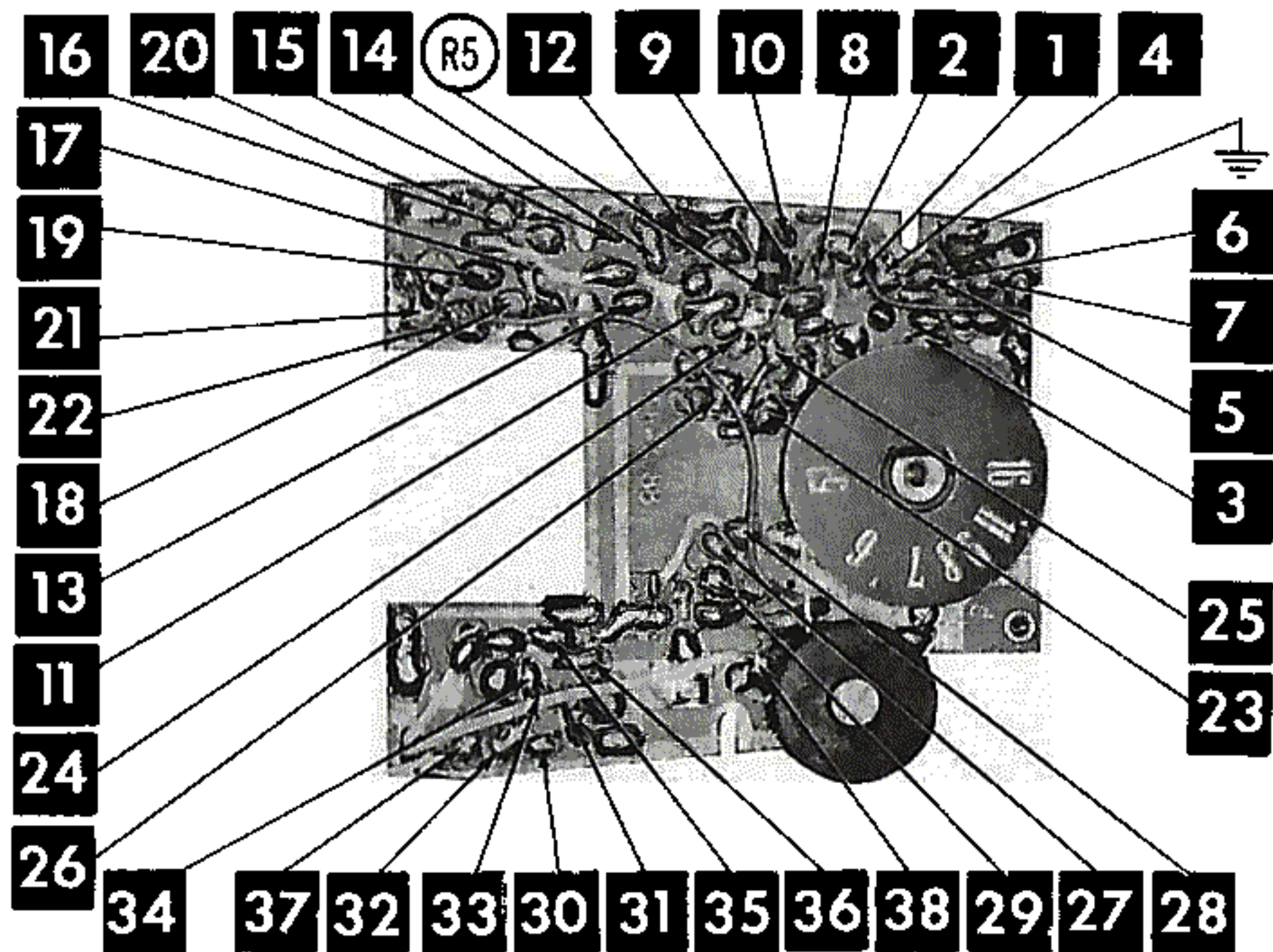
CONTROLS

All wattages 1/2 watt, or less, unless otherwise listed.

ITEM No.	USE	RESISTANCE	REPLACEMENT DATA				
			REALTONE PART No.	CENTRALAB PART No.	CLAROSTAT PART No.	CTS-IRC PART No.	MALLORY PART No.
R1	Volume & Switch	5000Ω	1088-VR				

PRINTED BOARD

A Howard W. Sams **CIRCUITRACE⁺** Photo



PARTS LIST AND DESCRIPTIONS (Continued)

RESISTORS

All wattages 1/2 watt, or less, unless otherwise listed.

ITEM No.	RATING	REPLACEMENT DATA			ITEM No.	RATING	REPLACEMENT DATA		
		IRC PART No.	WORKMAN TV PART No.	REMARKS			IRC PART No.	WORKMAN TV PART No.	REMARKS
R2	50K				R16	30K			Note 1
R3	3000Ω				R17	150Ω			
R4	2000Ω				R18	1000Ω			
R5	50K				R19	3000Ω			
R6	30K				R20	5000Ω			
R7	5000Ω				R21	30K			
R8	3000Ω				R22	1000Ω			
R9	200K				R23	150K			
R10	1000Ω				R24	390Ω			
R11	5000Ω				R25	8000Ω			
R12	30K				R26	Thermistor			
R13	1000Ω				R27	15Ω			
R14	4000Ω				R28	150Ω			
R15	5000Ω								

Note 1. Not used in some versions.

COILS (RF-IF)

ITEM No.	USE	REPLACEMENT DATA					NOTES
		REALTONE PART No.	Merit PART No.	Miller PART No.	Stancor PART No.	Workman TV PART No.	
L1	Loopstick	1088-A1					
L2	Osc.	1088-O1					
L3	1st IF	1088-IFT ₁					
L4	2nd IF	1088-IFT ₂					
L5	3rd IF	1088-IFT ₃					

TRANSFORMER (DRIVER)

ITEM No.	TURNS RATIO		REPLACEMENT DATA					NOTES
			REALTONE PART No.	Merit PART No.	Stancor PART No.	Thordarson PART No.	Triad PART No.	
	PRI.	SEC.						
T1	1.4	1	1088-IT1					

TRANSFORMER (AUDIO OUTPUT)

ITEM No.	IMPEDANCE		REPLACEMENT DATA					NOTES
			REALTONE PART No.	Merit PART No.	Stancor PART No.	Thordarson PART No.	Triad PART No.	
	PRI.	SEC.						
T2	1200Ω CT	6-8Ω	1088-OT1					

SPEAKER

ITEM No.	TYPE			REPLACEMENT DATA		NOTES
				REALTONE PART No.	QUAM PART No.	
	SIZE	FIELD	V. C. IMP.			
SP1	2½"	PM	6-8Ω	1088-SP1		(AS-031)

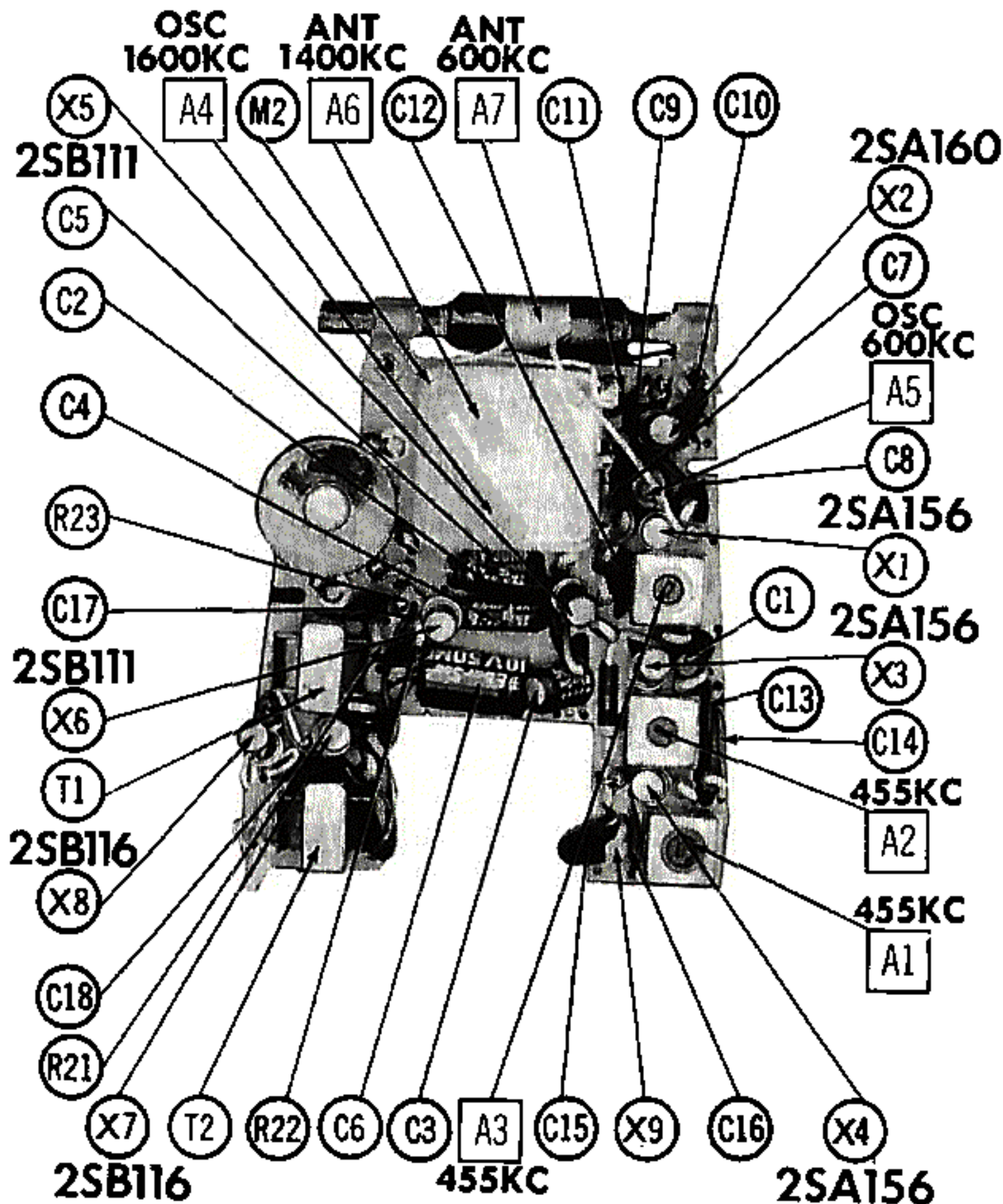
BATTERIES

ITEM No.	VOLTAGE	REALTONE PART No.	REPLACEMENT DATA						NOTES
			BURGESS		EVEREADY		MALLORY		
			"A"	"B"	"A"	"B"	"A"	"B"	
M1	9V			2U6		216		M-1604	

MISCELLANEOUS

ITEM No.	PART NAME	REALTONE PART No.	NOTES
M2	Tuning Cap.	1000 5V1	5.0mm (Ant) & 17.0mm (Tun) & 9.0mm (M)

CHASSIS—TOP VIEW



CABINETS & CABINET PARTS

(When Ordering Cabinets & Cabinet Parts, Specify Model, Chassis & Color)

NAME	PART NO.	DESCRIPTION
Dial Scale	1088-113	Tuning Volume
Dial Glass	1088-105	
Knob	1088-103	
Knob	1088-104	
Cabinet Back	1088-102	
Cabinet Front	1088-101	

WIRING DATA

General use Unshielded Hook up Wire Use HEIDEN No. 8530 (Solid) Available in Ten Colors
8524 (Stranded) Available in Ten Colors