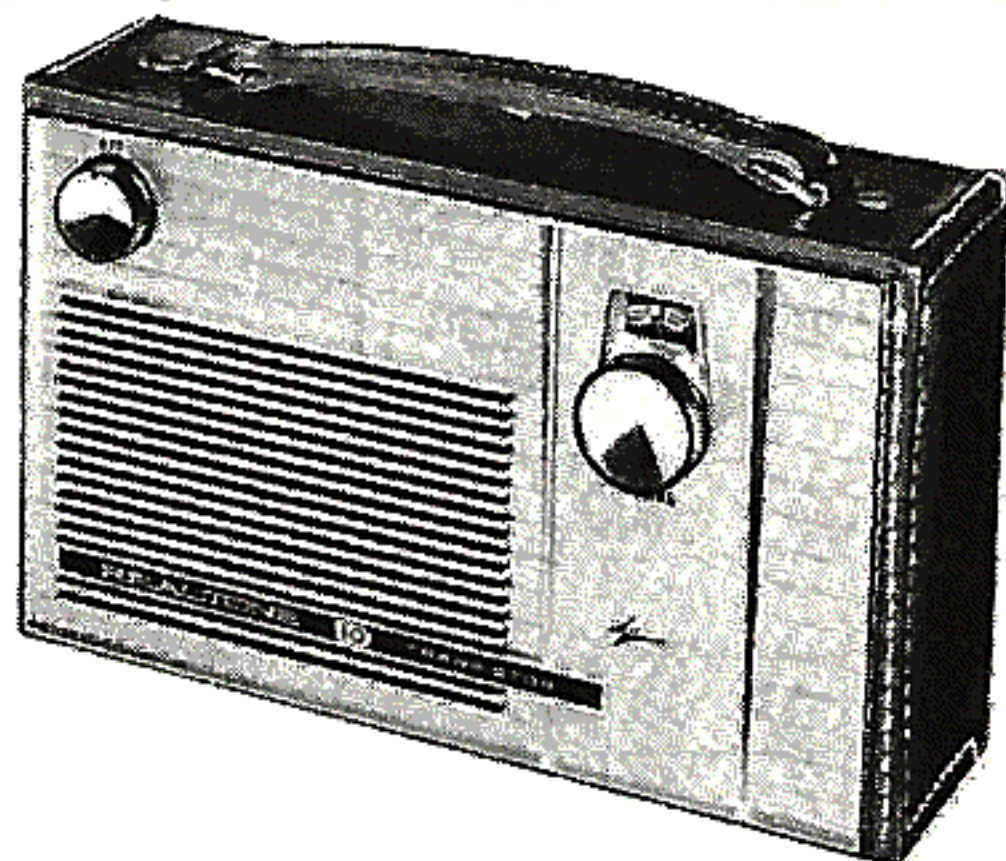


**TRADE NAME:** Realtone Model TR-1030  
**SUPPLIER:** Realtone Electronics, 71 Fifth Ave., New York 3, New York  
**TYPE SET:** 10 Transistor AM Receiver  
**POWER SUPPLY:** 6 Volts DC  
**RATING:** 11 MA @ 6VDC (No Signal)  
 13MA @ 8VDC (Normal Signal)  
**TUNING RANGE:** BROADCAST 525 - 1650KC

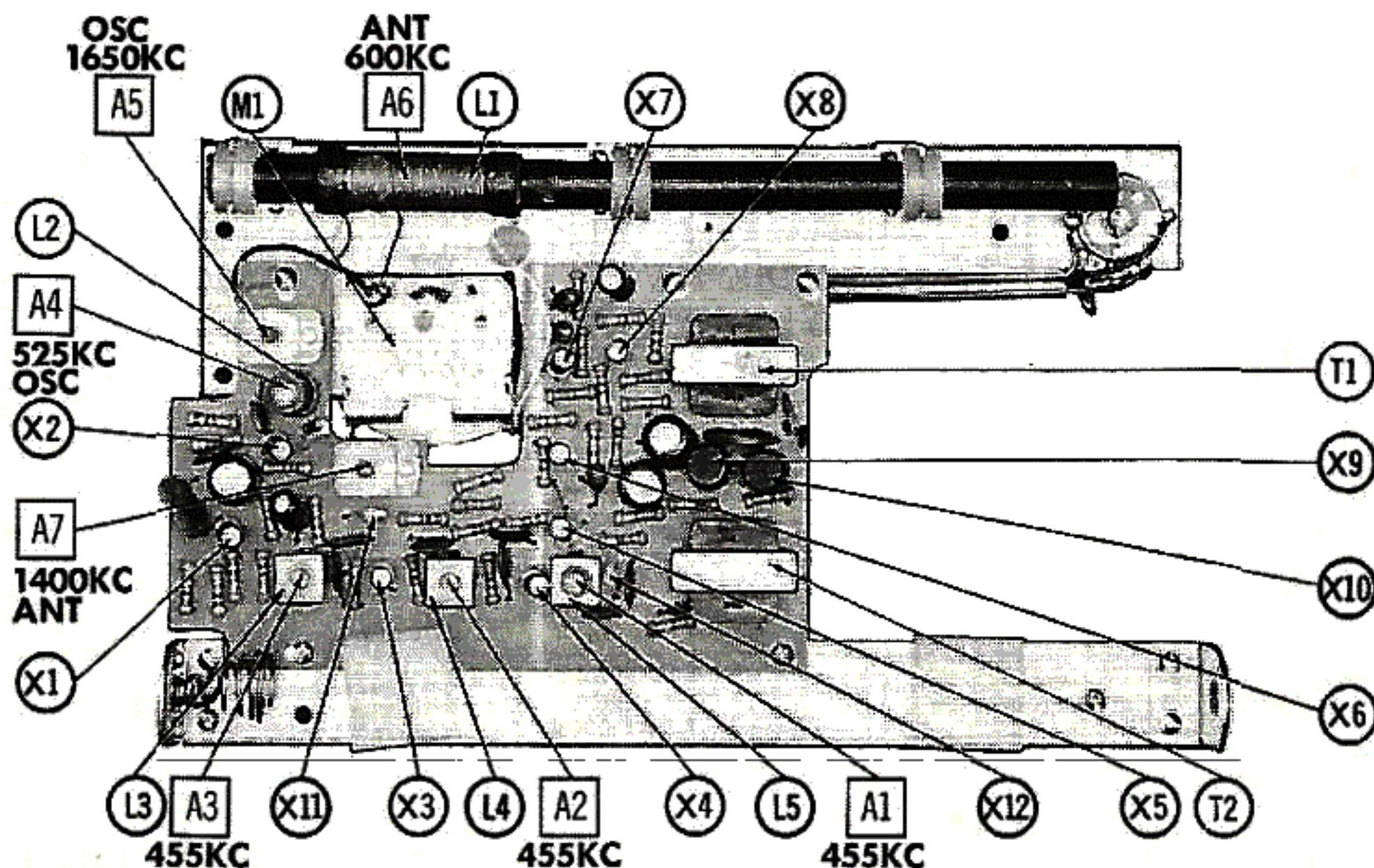


## ALIGNMENT INSTRUCTIONS

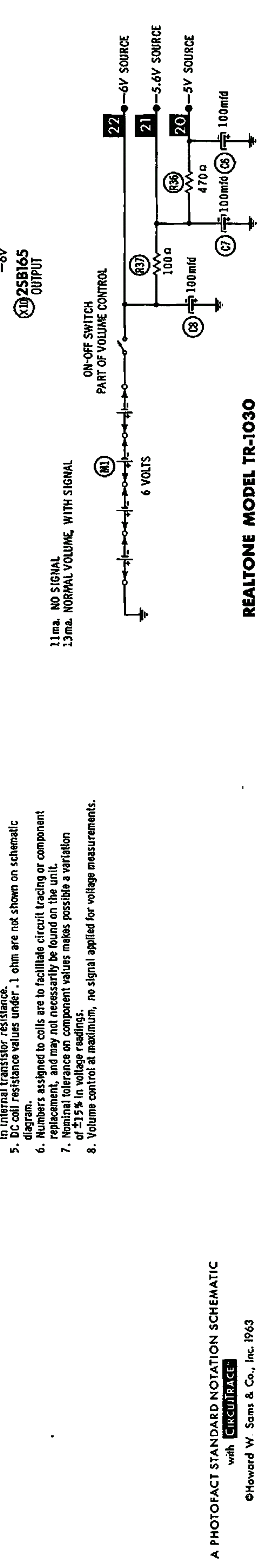
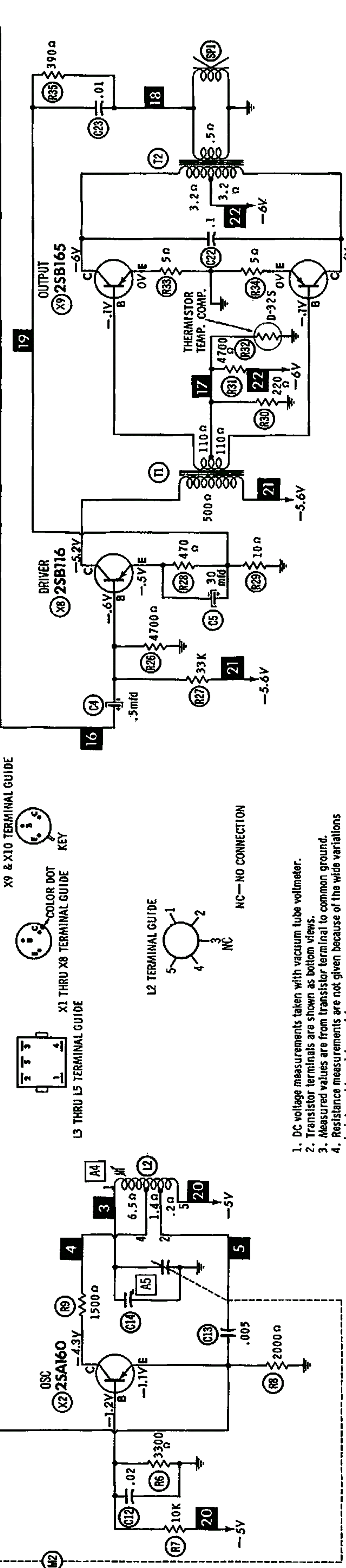
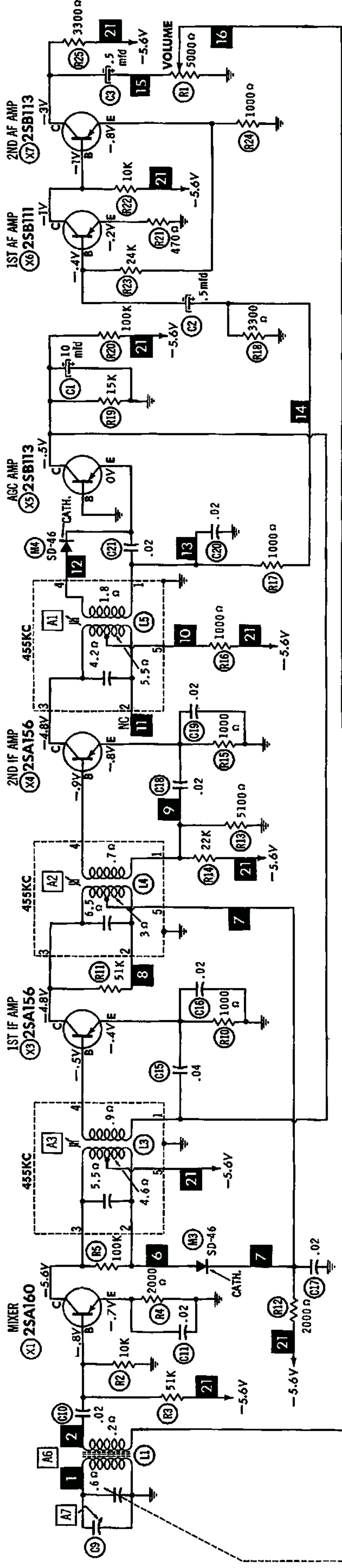
Volume control should be at maximum position. Output of signal generator should be no higher than necessary to obtain an output reading.

Suggested Alignment Tools: A1, A2, A3, A4 .. GENERAL CEMENT #9440  
 WALSCO #2501  
 A5, A7 ..... GENERAL CEMENT #5066, 8290  
 WALSCO #2512, 2525, 2528

	SIGNAL GENERATOR COUPLING	SIGNAL GENERATOR FREQUENCY	RADIO DIAL SETTING	INDICATOR	ADJUST	REMARKS
1.	Fashion loop of several turns of wire and radiate signal into loop of receiver	455KC (400v, Mod.)	Tuning gang fully closed.	Output meter across voice coil.	A1, A2, A3	Adjust for maximum output.
2.	"	525KC	"	"	A4	Adjust for maximum output while rocking tuning gang.
3.	"	1650KC	Tuning gang fully open.	"	A5	Adjust for maximum output. Repeat Steps 2 and 3.
4.	"	600KC	600KC	"	A6	Adjust for maximum output by moving antenna coil bobbin along ferrite core.
5.	"	1400KC	1400KC	"	A7	Adjust for maximum output. Repeat Steps 4 and 5.



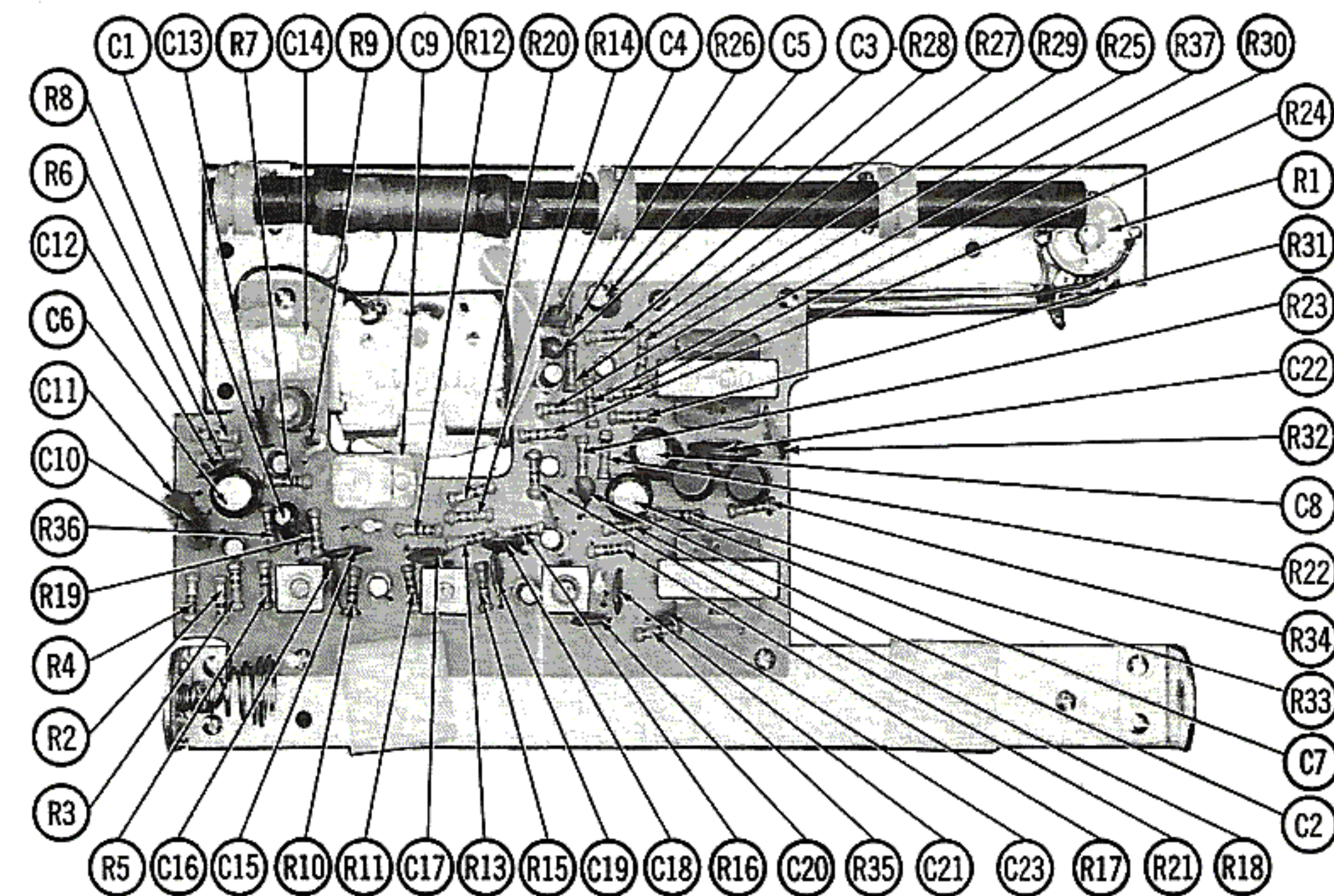
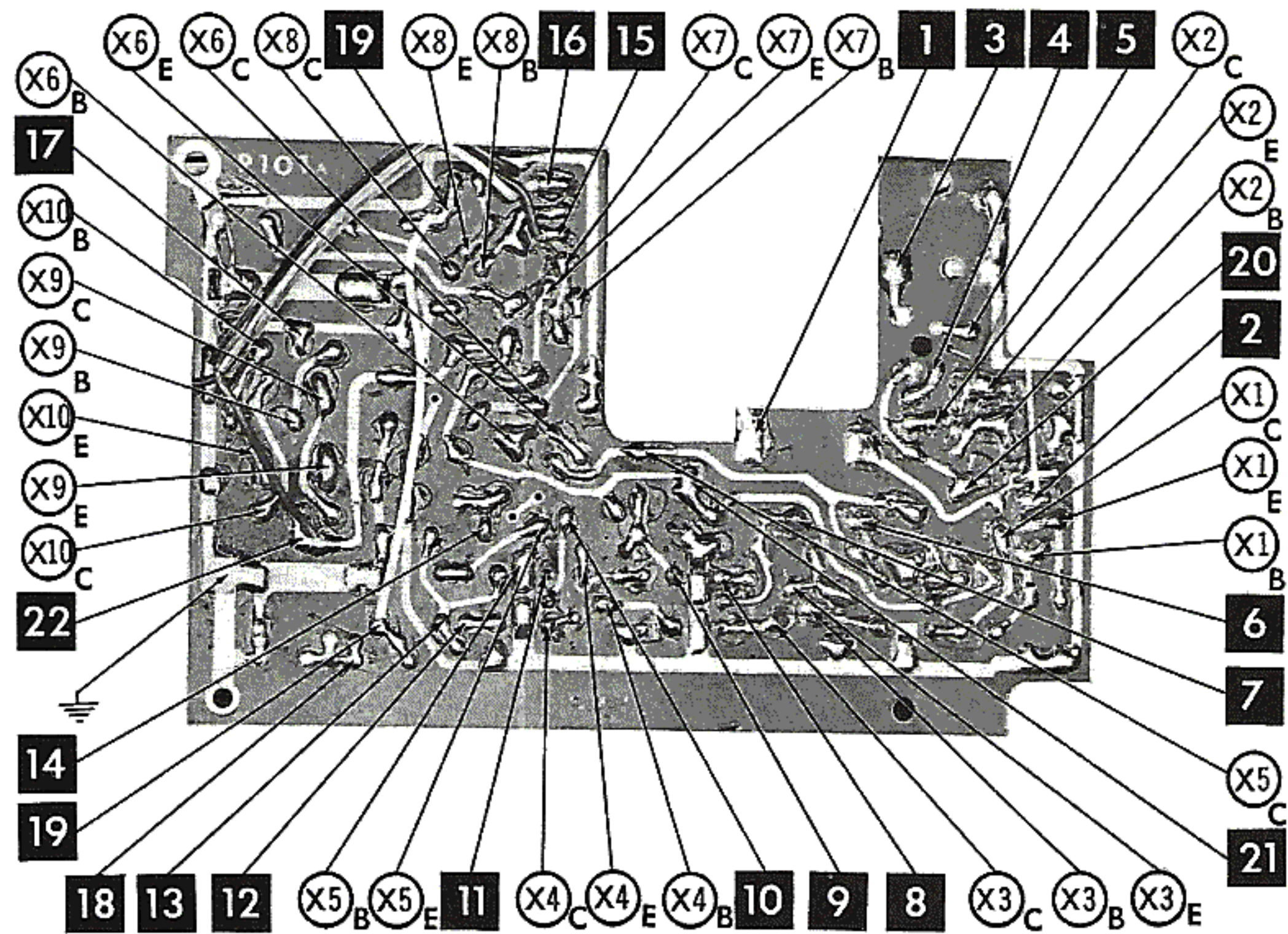




1.1 ma. NO SIGNAL  
 1.3 ma. NORMAL VOLUME, WITH SIGNAL

1. DC voltage measurements taken with vacuum tube voltmeter.
2. Transistor terminals are shown as bottom views.
3. Measured values are from transistor terminal to common ground.
4. Resistance measurements are not given because of the wide variations in internal transistor resistance.
5. DC coil resistance values under .1 ohm are not shown on schematic diagram.
6. Numbers assigned to coils are to facilitate circuit tracing or component replacement, and may not necessarily be found on the unit.
7. Nominal tolerance on component values makes possible a variation of  $\pm 15\%$  in voltage readings.
8. Volume control at maximum, no signal applied for voltage measurements.







## TRANSISTORS

ITEM No.	ORIG. TYPE	USE	REPLACEMENT DATA			NOTES
			DELCO PART No.	GENERAL ELECTRIC PART No.	RCA PART No.	
X1	28A160	Mixer	DS-25	GE-1		PNP
X2	28A160	Oscillator	DS-25	GE-1		PNP
X3	28A156	1st IF Amplifier	DS-25	GE-1		PNP
X4	28A156	2nd IF Amplifier	DS-25	GE-1		PNP
X5	2SB113	AGC Amplifier	DS-26	GE-2		PNP
X6	2SB111	1st AF Amplifier	DS-26	GE-2		PNP
X7	2SB113	2nd AF Amplifier	DS-26	GE-2	2N408	PNP
X8	2SB116	Driver	DS-26	GE-2	2N408	PNP
X9	2SB165	Output	DS-26	GE-2	2N270	PNP
X10	2SB165	Output	DS-26	GE-2	2N270	PNP

## ELECTROLYTIC CAPACITORS

ITEM No.	RATING		REPLACEMENT DATA						
	CAP.	VOLT.	REALTONE PART No.	AEROVOX PART No.	CORNELL-DUBILIER PART No.	GENERAL ELECTRIC PART No.	GENERAL INSTRUMENT PART No.	MALLORY PART No.	SPRAGUE PART No.
C1	10	8	V-10-6	BCD8010	ECSP10-15	MT1-5	MLV10-6	PET1340	VL-1087
C2	.5		CA0.5Z8					TT-150X1	
C3	.5		CA0.5Z8					TT-150X1	
C4	.5		CA0.5Z8					TT-150X1	
C5	30	3	V-30-3	CRE213A	NLW30-6	MT1-13	MLV30-6	PET130	VL1043
C6	100	10	V-100-10	BCD10100	NLW100-12				
C7	100	10	V-100-10	BCD10100	NLW100-12				
C8	100	10	V-100-10	BCD10100	NLW100-12				

## FIXED CAPACITORS

ITEM No.	RATING	REMARKS	REPLACEMENT DATA						
			AEROVOX PART No.	CENTRALAB PART No.	CORNELL-DUBILIER PART No.	ELMENCO PART No.	MALLORY PART No.	SPRAGUE PART No.	
C9									
C10	.02		TTD-02	CK-203	H3			TA-120	TG-S20
C11	.02		TTD-02	CK-203	H3			TA-120	TG-S20
C12	.02		TTD-02	CK-203	H3			TA-120	TG-S20
C13	.005		TTD-005	CK-502	H1			TA-250	TG-D50
C14									
C15	.04		TTD-05	CK-503	H6			TA-150	TG-S50
C16	.02		TTD-02	CK-203	H3			TA-120	TG-S20
C17	.02		TTD-02	CK-203	H3			TA-120	TG-S20
C18	.02		TTD-02	CK-203	H3			TA-120	TG-S20
C19	.02		TTD-02	CK-203	H3			TA-120	TG-S20
C20	.02		TTD-02	CK-203	H3			TA-120	TG-S20
C21	.02		TTD-02	CK-203	H3			TA-120	TG-S20
C22	.1		TTD-1	CK-104	H6			TA-010	TG-P10

## CONTROLS

All wattages 1/2 watt, or less, unless otherwise listed.

ITEM No.	USE	RESISTANCE	REPLACEMENT DATA				
			REALTONE PART No.	CENTRALAB PART No.	CLAROSTAT PART No.	CTS-IRC PART No.	MALLORY PART No.
R1	Volume & Switch	5000Ω	RV-043				

# DESCRIPTION

## COILS (RF-IF)

ITEM No.	USE	REPLACEMENT DATA					NOTES
		REALTONE PART No.	MERIT PART No.	MILLER PART No.	STANCOR PART No.	WORKMAN PART No.	
L1	Loopstick	HA-013					
L2	Osc.	HO-101					
L3	1st IF	HI-072	BC-574	2066	RTC-9266		
L4	2nd IF	HI-082	BC-575	2067	RTC-9267		
L5	3rd IF	HI-092	BC-576	2068	RTC-9268		

## TRANSFORMER (AUDIO OUTPUT)

ITEM No.	IMPEDANCE		REPLACEMENT DATA					NOTES
			REALTONE PART No.	MERIT PART No.	STANCOR PART No.	THORDARSON PART No.	TRIAD PART No.	
	PRI.	SEC.						
T2	125Ω CT	6-8Ω	LO-010					

## TRANSFORMER (DRIVER)

ITEM No.	TURNS RATIO		REPLACEMENT DATA					NOTES
			REALTONE PART No.	MERIT PART No.	STANCOR PART No.	THORDARSON PART No.	TRIAD PART No.	
	PRI.	SEC.						
T1	1.4	1	LI-010					

## SPEAKER

ITEM No.	TYPE	REPLACEMENT DATA		NOTES
		REALTONE PART No.	QUAM PART No.	
SPI	4" PM 8Ω	AS-061	4A07Z8	

## BATTERIES

ITEM No.	VOLTAGE	REALTONE PART No.	REPLACEMENT DATA			NOTES
			BURGESS	EVEREADY	MALLORY	
M1	1½V		120 or AL-1	635 or E93	M-14R or MN1400	4 required

## MISCELLANEOUS

ITEM No.	PART NAME	REALTONE PART No.	NOTES
M2	Tuning Cap.	CV-031	
M3	Diode	SD-46	Limiter (SD-46)
M4	Diode	SD-46	Detector (SD-46)

## CABINETS & CABINET PARTS

(When Ordering Specify Model, Chassis & Color)

ITEM	PART No.	ITEM	PART No.
Dial Window Knob, Tuning	P101-0005 P101-0030	Knob, Volume Cabinet, Leather	P101-0040 C-1030

## WIRING DATA

General-use Unshielded Hook-up Wire .....	Use BELDEN No. 8530 (Solid 22AWG)	Available
	8524 (Stranded 22AWG)	in
	8570 (Stranded 26AWG)	12 Colors