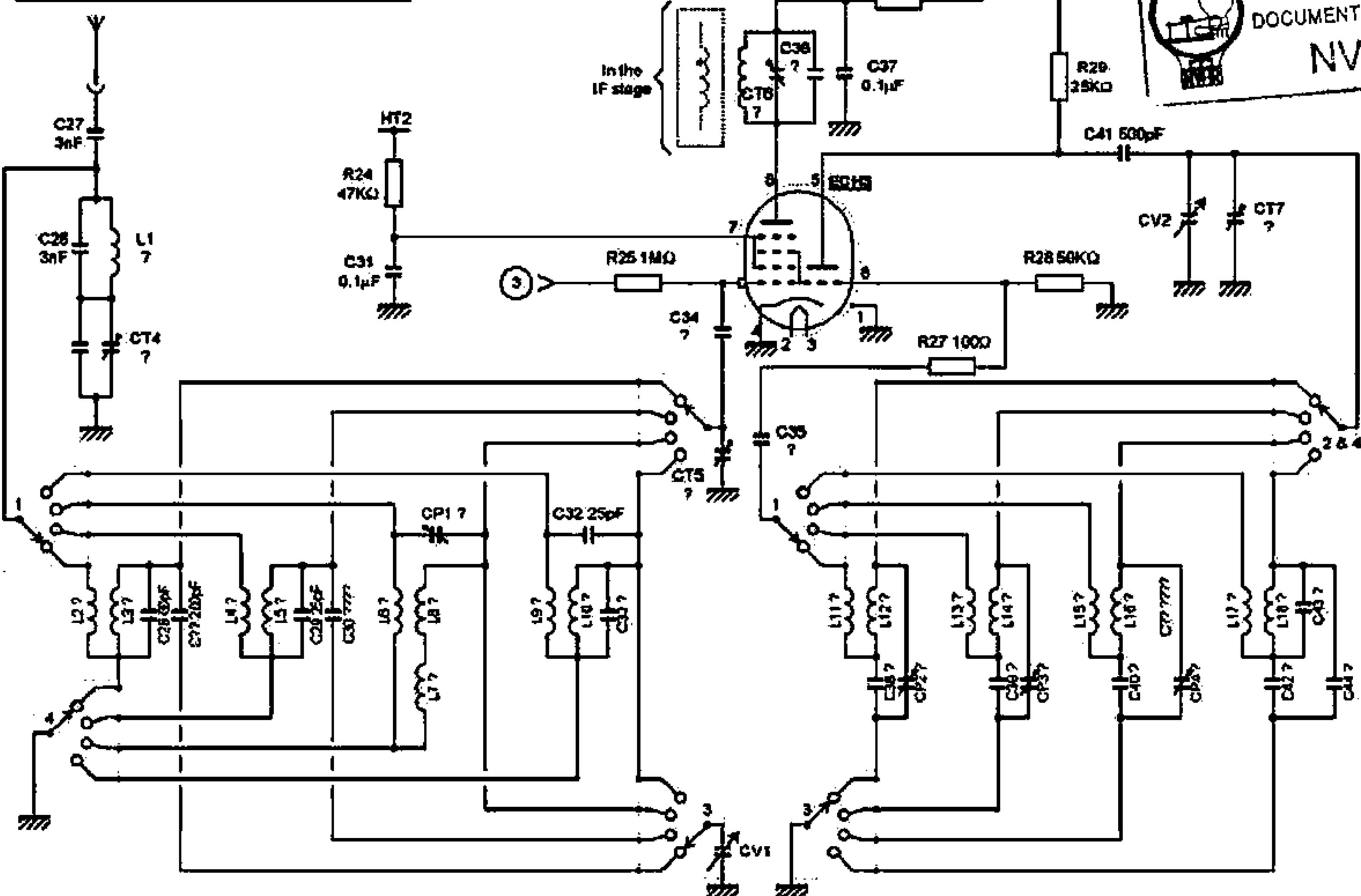
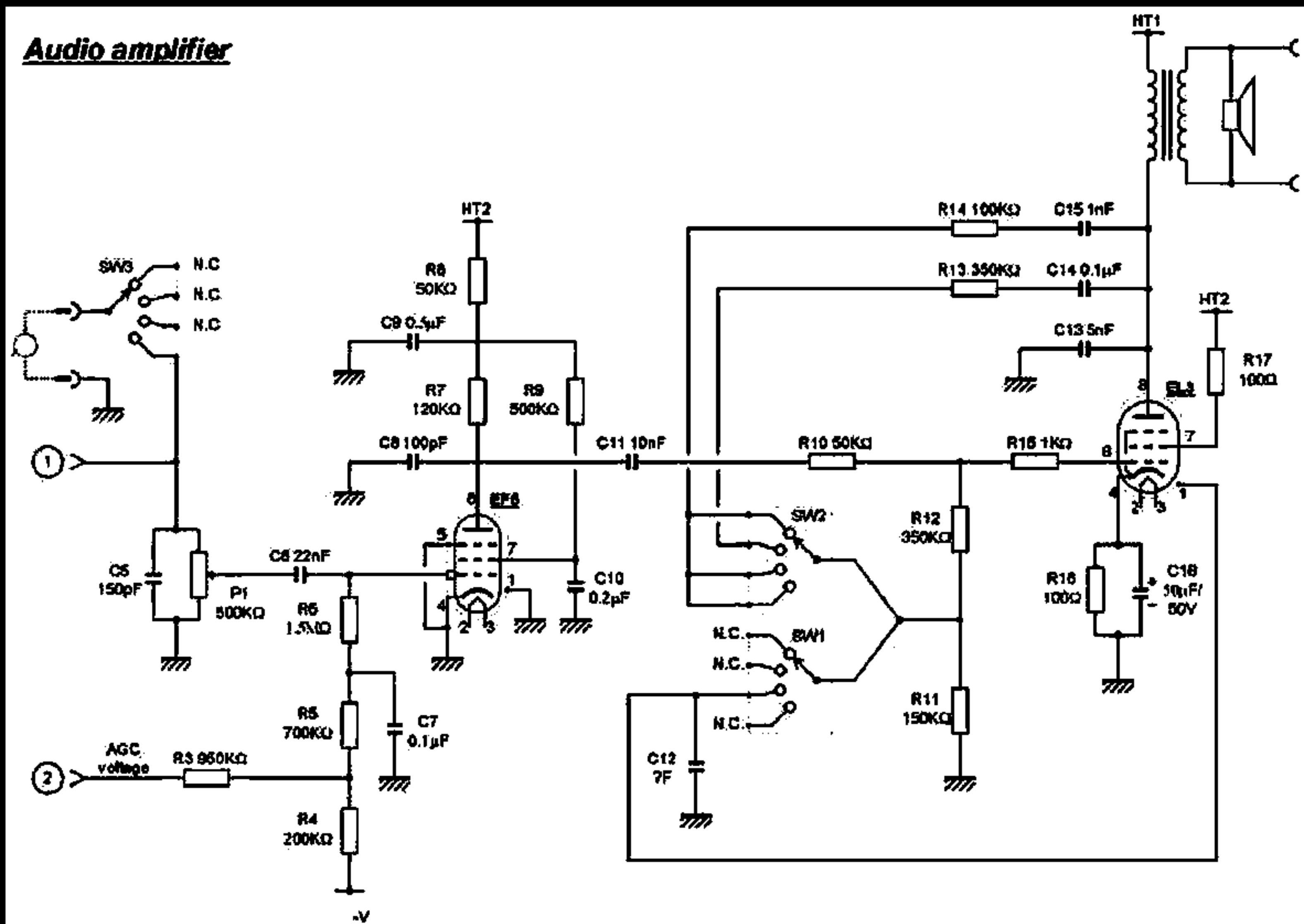


# Aerial Circuit and Local Oscillator





# Audio amplifier



# Power supply

