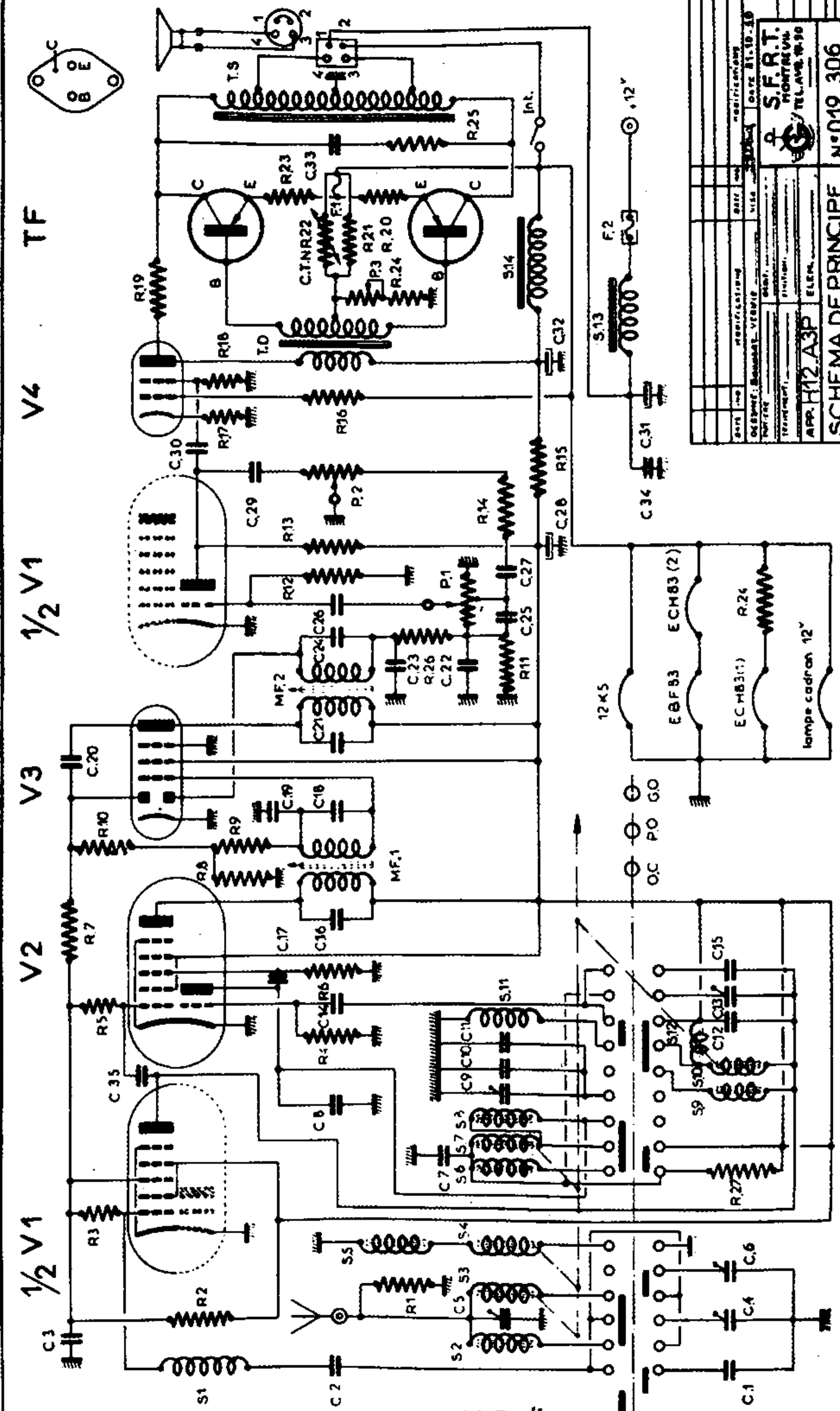


S4 S2 S3 S4 S5 S6 S7 S8 S9 S10 S12 S11 MF.1 MF.2 T.D.S13 S14 F2 F.1 T.S

R2 R4 R27 R3 R4 R6 R5 R7 R8 R9 R10 R12 R13 R17 R19 R22 C.T.M R23 R25 C2 C3 C5 C7 C8 C.35 C14 C17 C.19 C.20 C.18 C.21 C.23 C.24 C.26 C.22 C.25 C.27 C.28 C.34 C.30 C.31 C.32 C.33 C.34 C.35 C.16 C.15 C.18 C.19 C.20 C.21 C.22 C.23 C.24 C.25 C.26 C.27 C.28 C.29 C.30 C.31 C.32 C.33 C.34 C.35



DATE	VERIFICATION	PAR	NOTIFICATIONS
DESIGN: BONAVAL VERVIE	DATE: 11.10.50		
PROF: ...			
TRANSFORM: ...			
APP: H12.A3P	ELEM.		

S.F.R.T.
MONTREAL
TEL. AV. 19-30

SCHEMA DE PRINCIPE N° 019_306