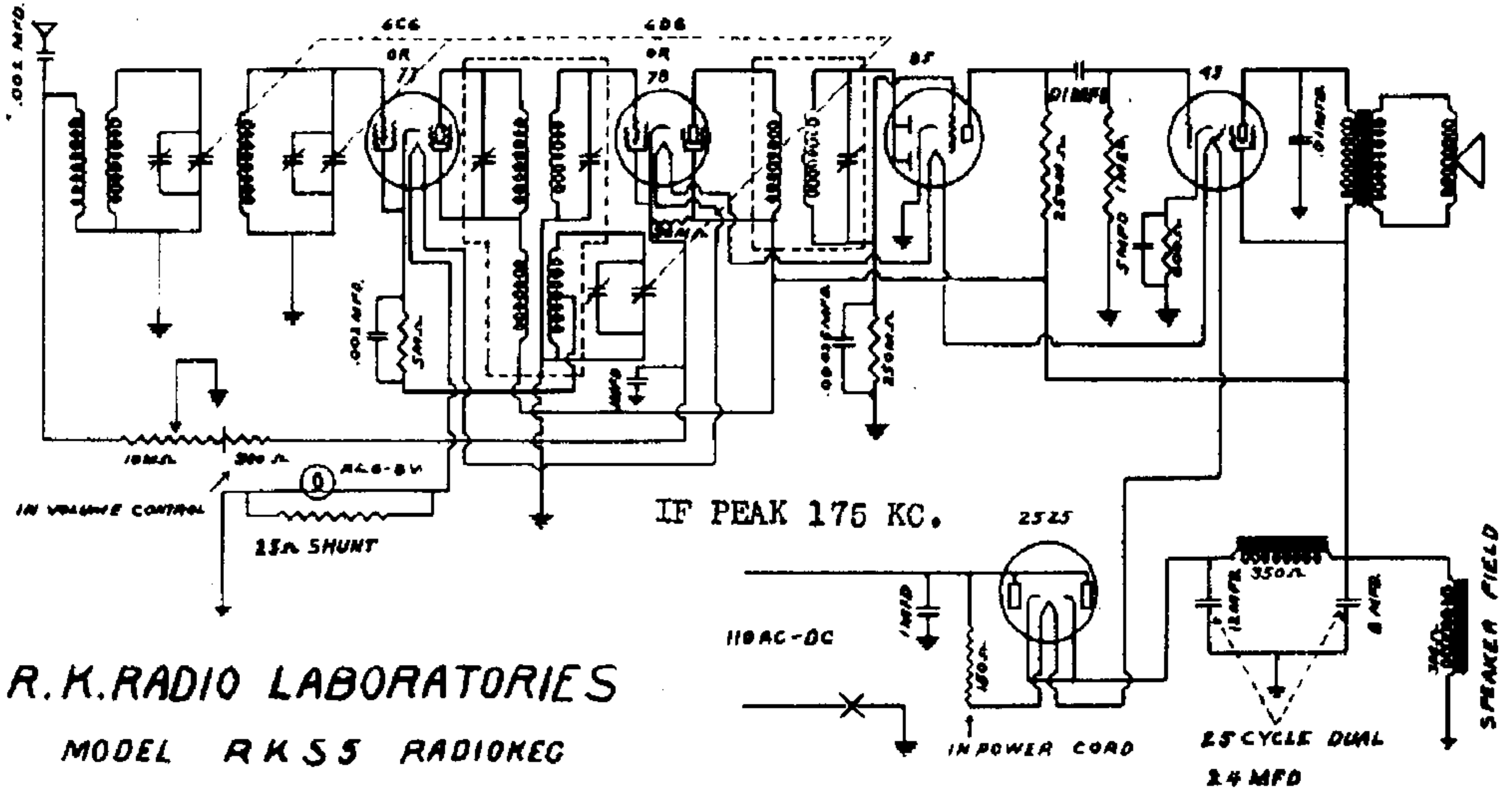


# CLAGO RADIO CORP. RK RADIO LABORATORIES, INC.

MODEL RK-S-5 Radiokog  
MODEL Radiochron "B"



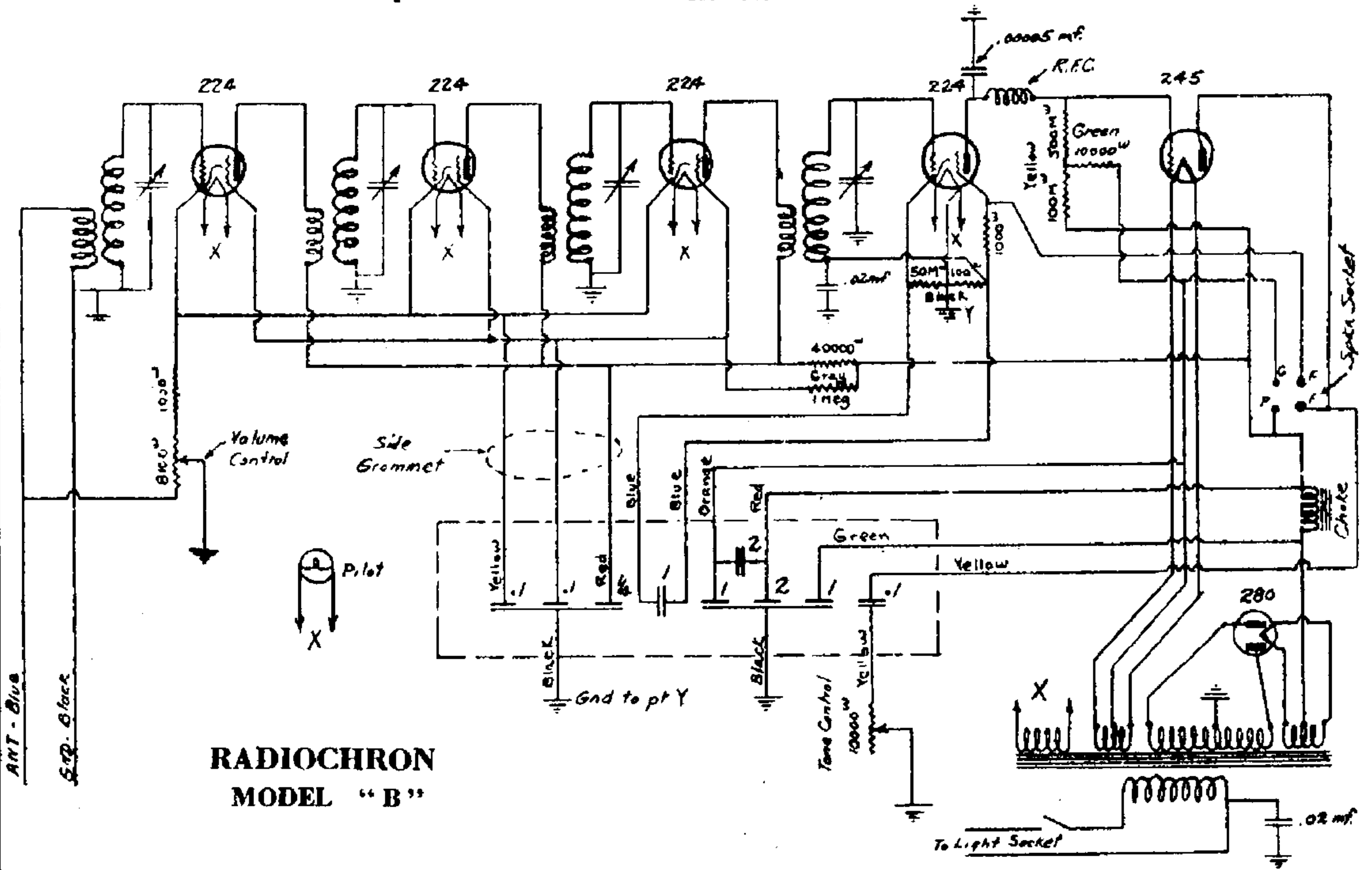
R.K. RADIO LABORATORIES  
MODEL RK S 5 RADIOKEG

ENGINEER J. ZOLOYCHICK

DRAWN BY ASSISTANT ENG. J.R. MAKO

**VOLTAGE ANALYSIS:** The following voltage analysis was taken with a 1000 ohms per volt meter. Socket to ground on chassis. Volume control set at maximum and line potential 115.

	<u>Filament</u> volts	<u>Screen Grid</u> volts	<u>Bias</u> volts	<u>Plate Voltage</u> volts
77	6.3	105	5	105
78	6.3	105	3.5	105
85	6.3	--	--	15
43	25	105	15	98
25Z5	25	output	--	115 volts



RADIOCHRON  
MODEL "B"