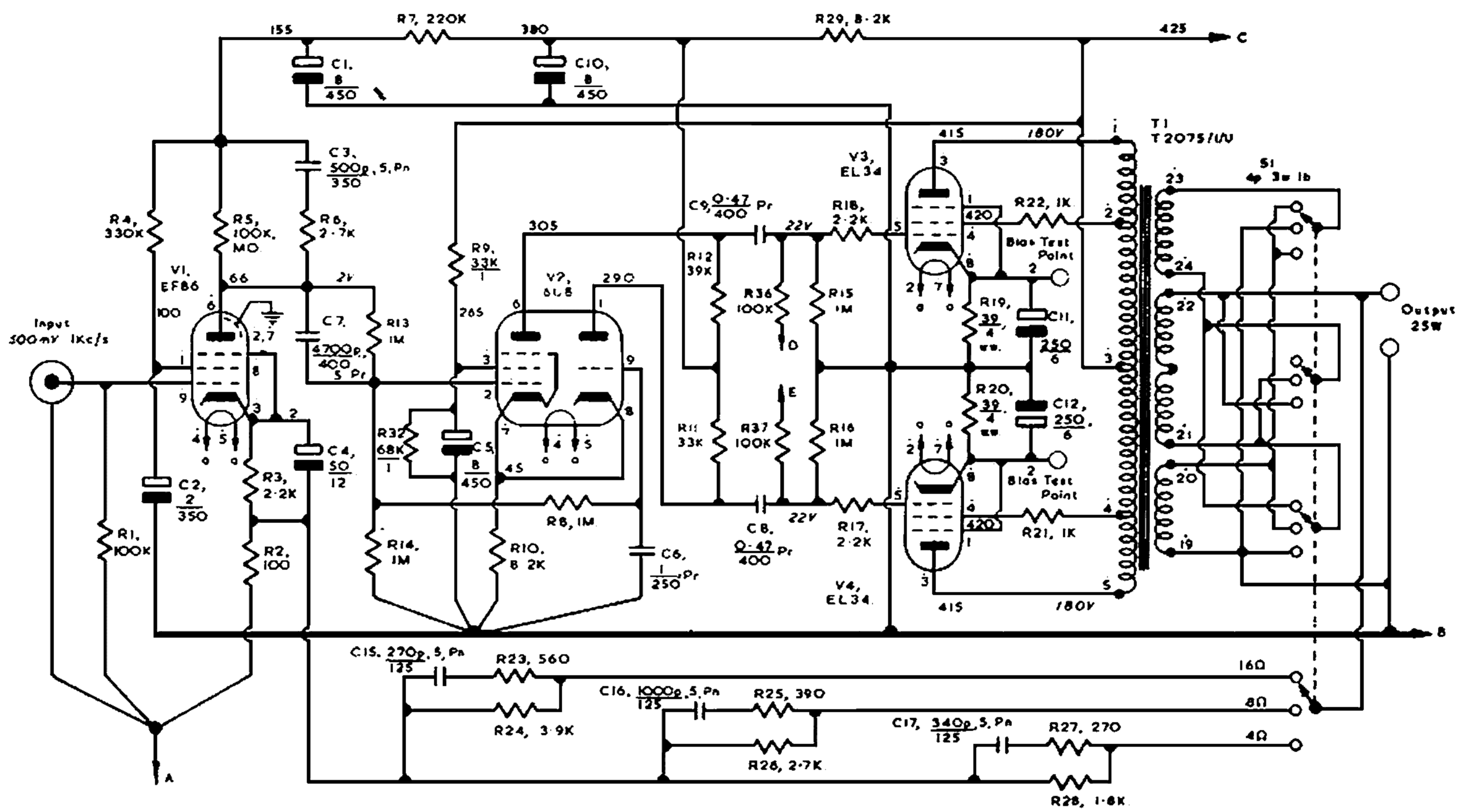


# BASIC AMPLIFIER CIRCUIT

# 25 WATTS



# POWER SUPPLY

## MA 25

## STA 25

