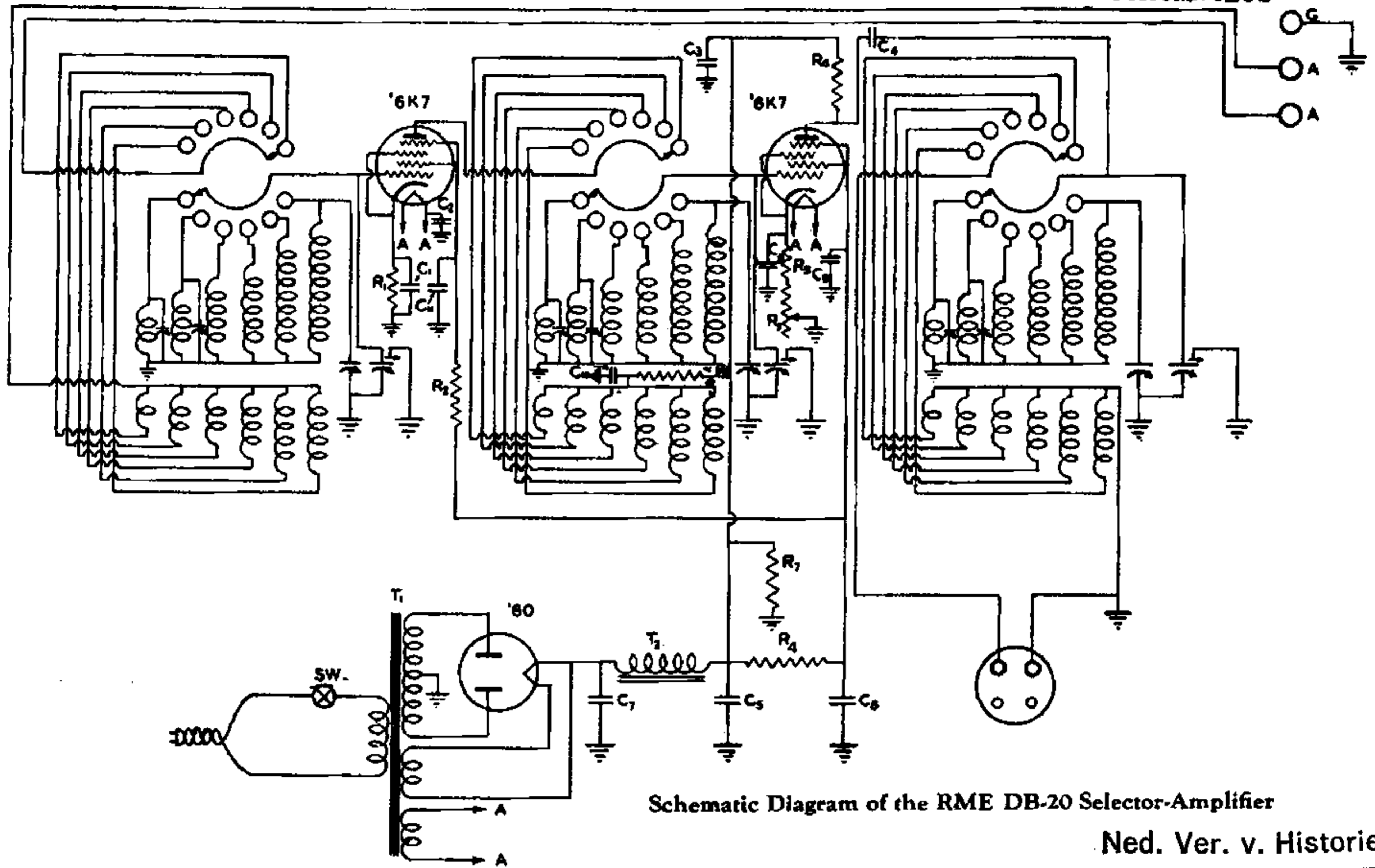


MODEL RME DB-20
Amplifier Schematic

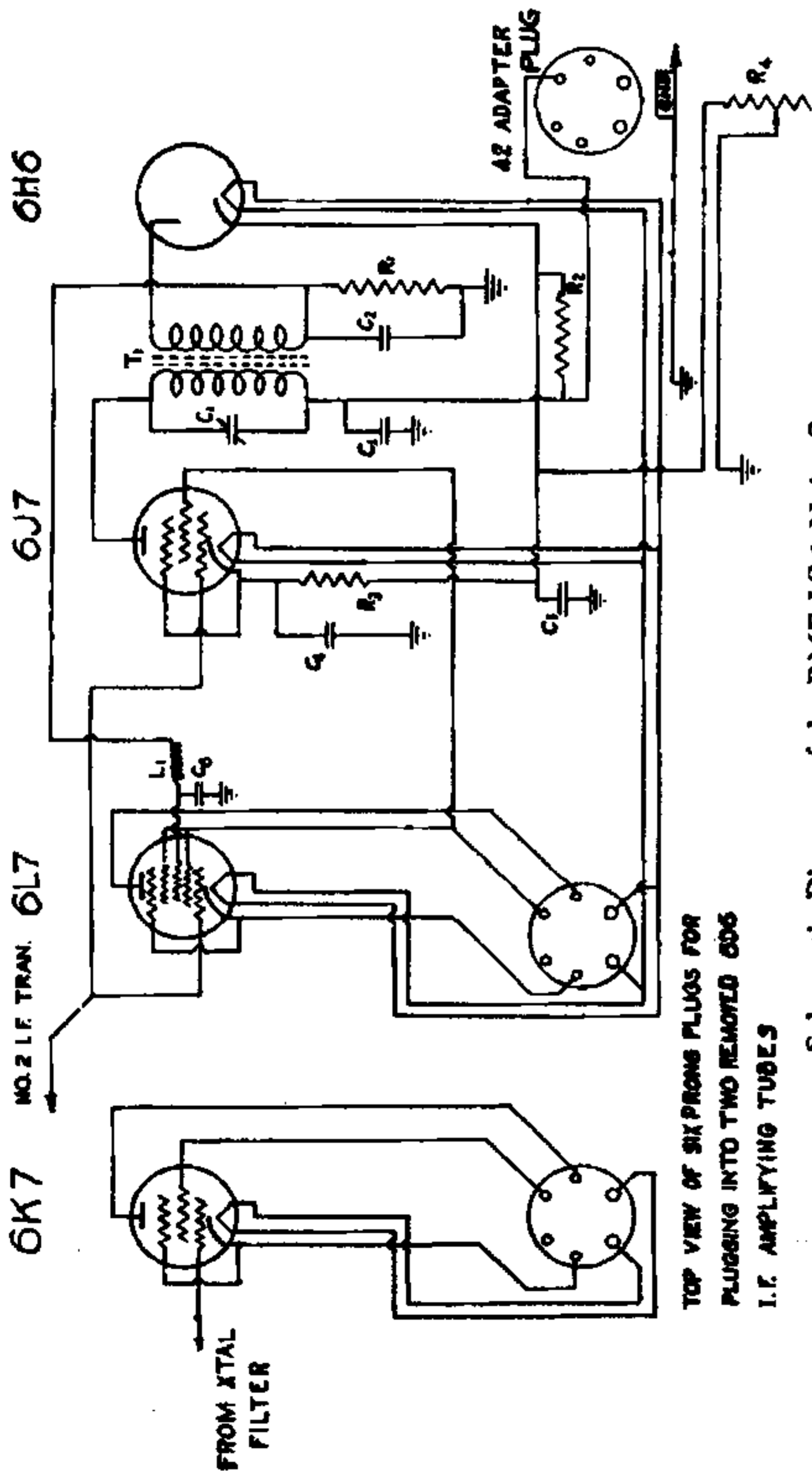
RADIO MFG. ENGINEERS, INC.

MODEL RME LS-1
MODEL RME LS-2
Noise Suppressors
Schematics

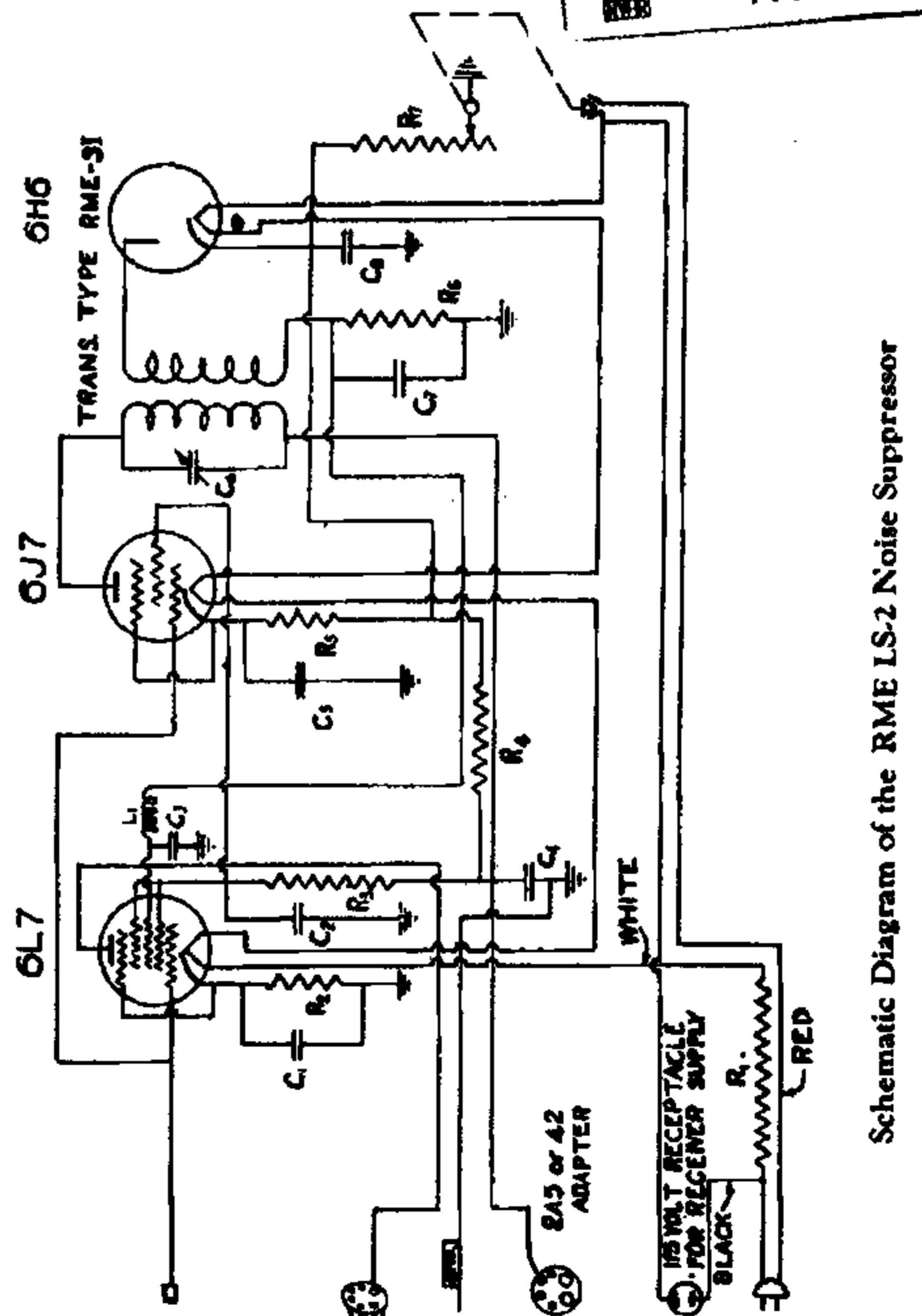


Schematic Diagram of the RME DB-20 Selector-Amplifier

Ned. Ver. v. Historie v/d



Schematic Diagram of the RME LS-1 Noise Suppressor



Schematic Diagram of the RME LS-2 Noise Suppressor

TOP VIEW OF SIX PRONG PLUGS FOR
PLUGGING INTO TWO REMOVED 6D6
I.E. AMPLYING TUBES