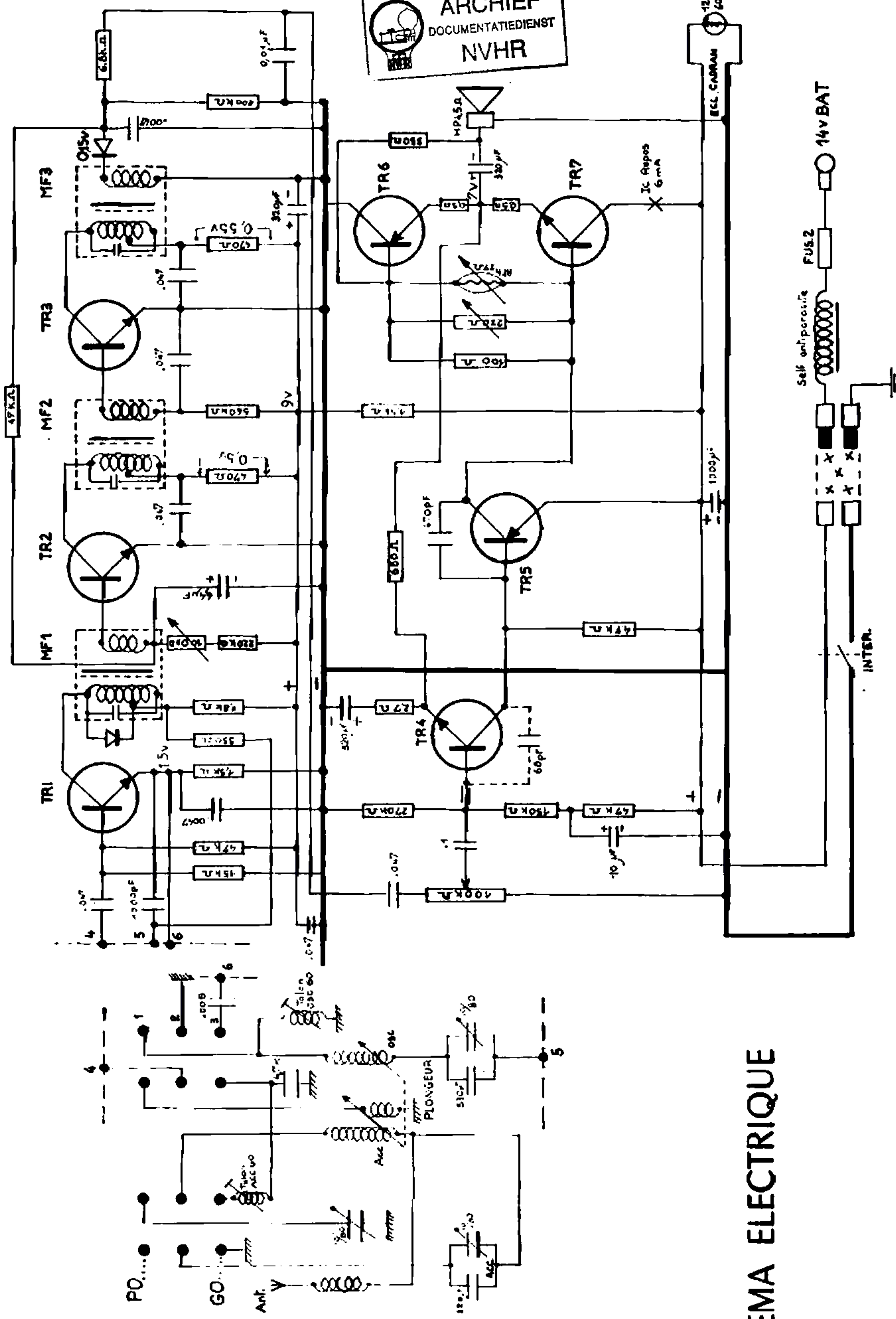


# VT 6

TRANSISTORS						
T1	T2	T3	T4	T5	T6	T7
BC 107	BC 107	BC 107	BC 107	BC 107	BC 107	BC 107
BC 107	BC 107	BC 107	BC 107	BC 107	BC 107	BC 107

GAMES	COUVERTES
PO	REGAGES 520kcs-1620 gcc-1620kcs
GO	150kcs-264kcs gcc-165.265kcs



SCHEMA ELECTRIQUE

