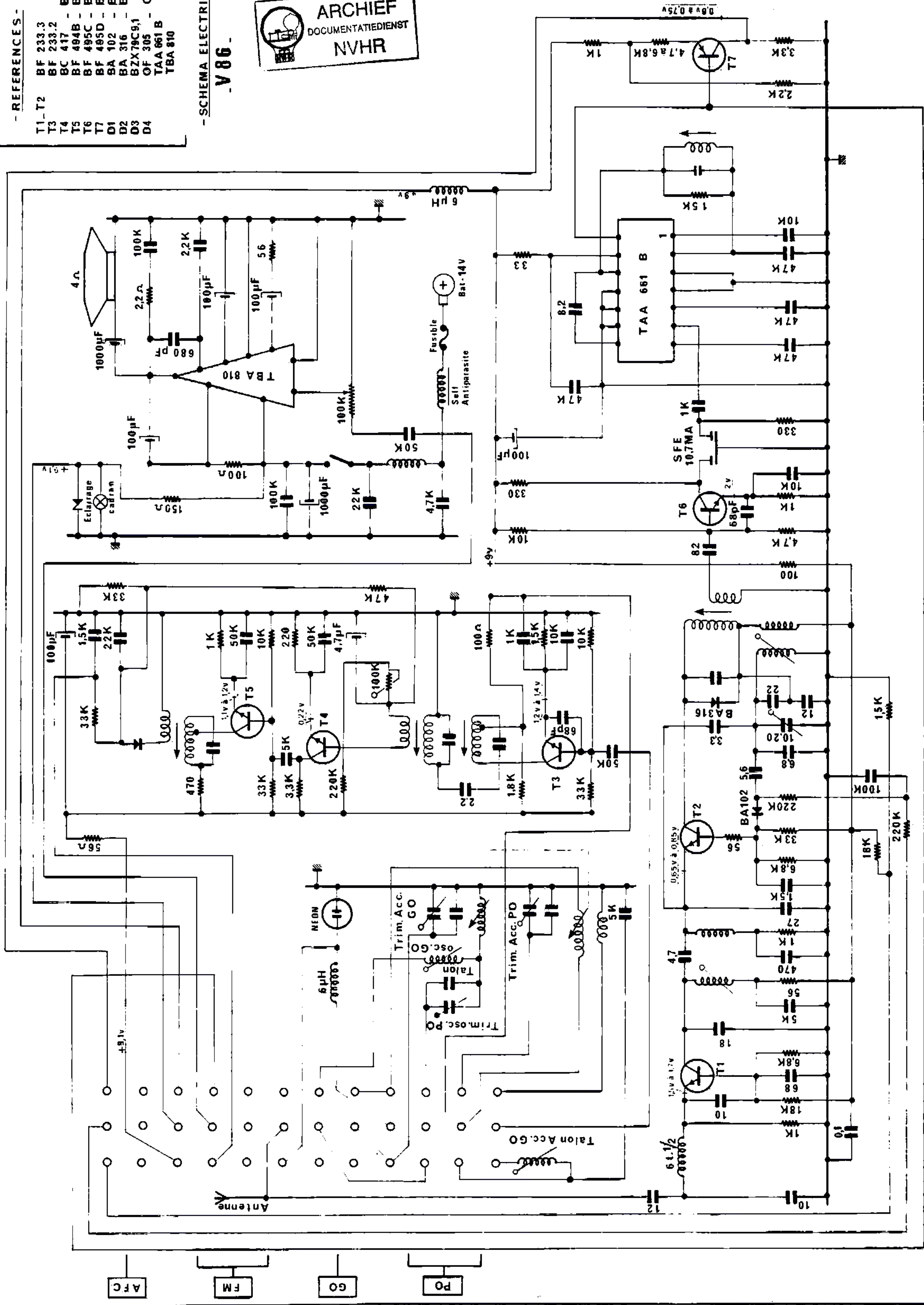


REFERENCES -

- T1-T2 BF 233.3
- T3 BF 233.2
- T4 BC 417
- T5 BF 494B
- T6 BF 495C
- T7 BF 495D
- D1 BA 102
- D2 BA 316
- D3 BZX79C9.1
- D4 OF 305
- OA 92 TAA 661 B
- TBA 810

SCHEMA ELECTRIQUE -

V 86



AFC

FM

GO

PO