

SYSTEME MOSTA TYPE MBS (IF-BF)

R33-220Ω R29-0,5Ω
R30-150Ω (THERMISTANCE)
R28-2,2k R31-150Ω R32-2,2k

R25-0,5Ω
R26-150Ω (THERMISTANCE)
R27-180Ω

R21-33k
R20-4,7k R22-3,3k R24-220Ω
R23-22k

R19-220k

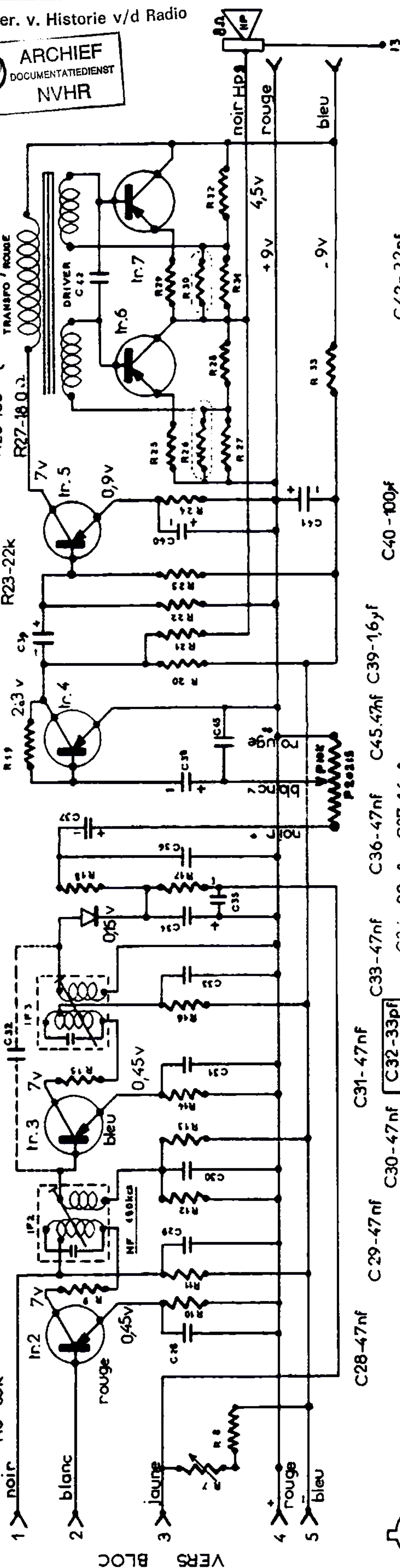
R16-470 R18-2,2k
R17-68k

R14-1k R15-470

R9-470Ω R12-39k R13-47k

R10-1k R11-22k

R7-100k
R8-33k



C40-100μf
C41-100μf
C42-22nf

C39-1,6μf
C38-1,6μf

C37-16μf
C36-47nf
C35-10μf

C34-22nf
C33-47nf
C32-33pf

C31-47nf
C30-47nf
C29-47nf

C28-47nf
C27-180Ω
C26-150Ω (THERMISTANCE)

C25-0,5Ω
C24-220Ω
C23-22k

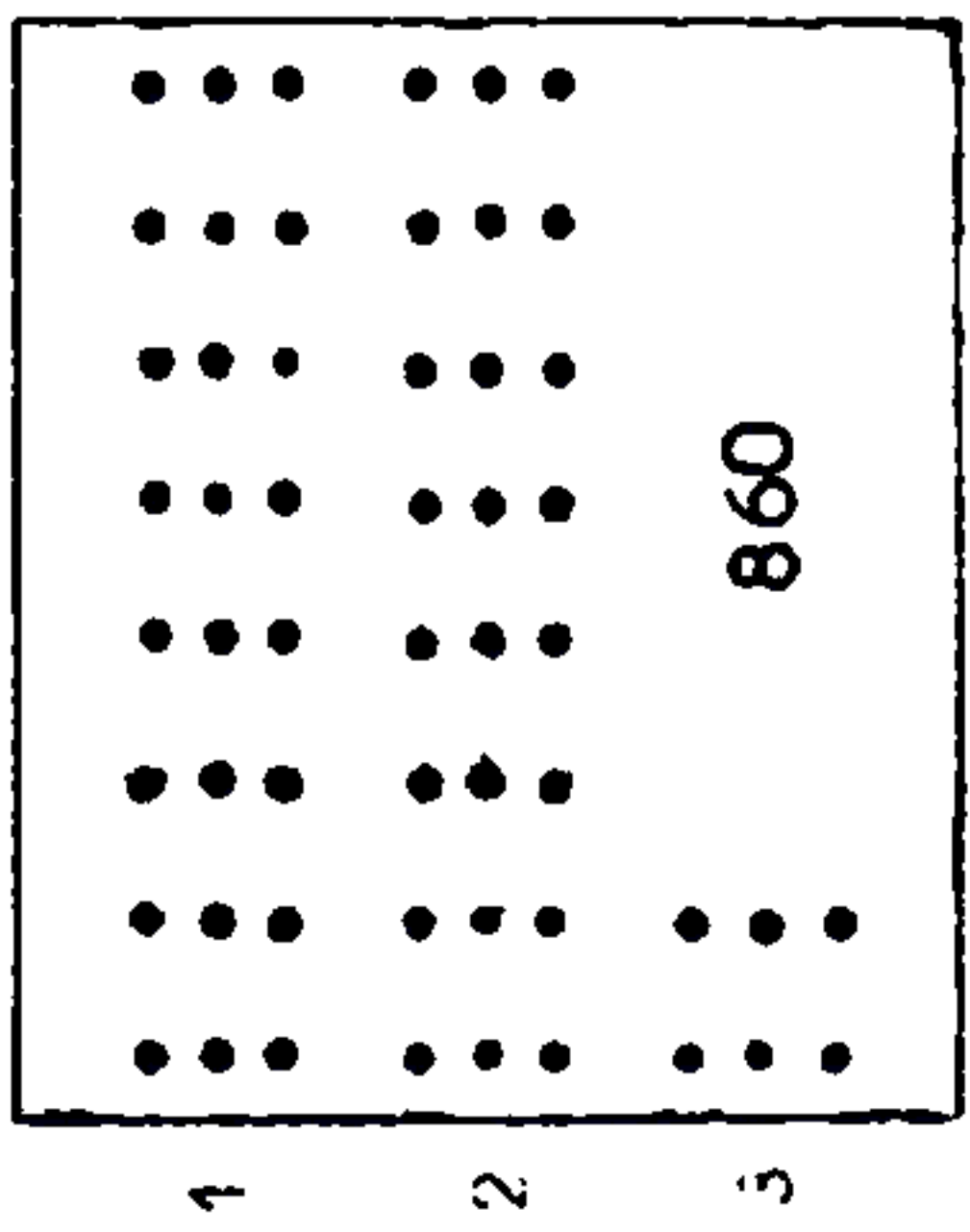
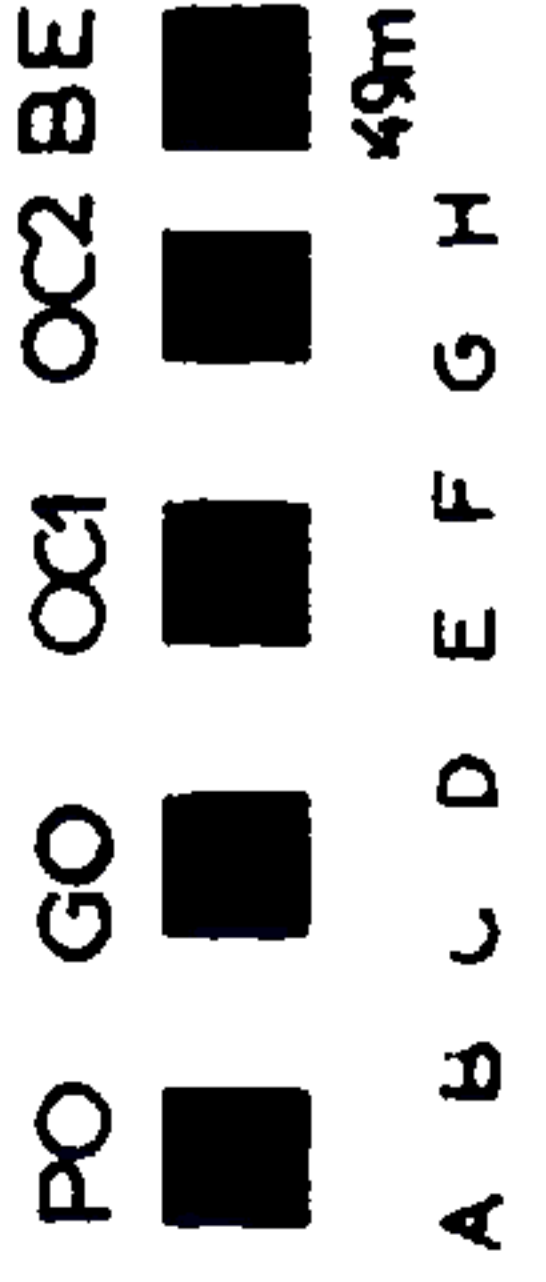


SORTIES TRANSISTORS

- Ir.2-AF127
- Ir.3-AF127
- Ir.4-2R13
- Ir.5-2R13
- Ir.6-AC128
- Ir.7-AC128

GAMMES ACCORDS

PO	520-1620kc	600 - 1400kcs
GO	150-280kcs	220 kcs
OC1	83-23mcs	9,5 mcs
OC2	3.7-81mcs	4,8 mcs
BE	5.9.7.7mcs	



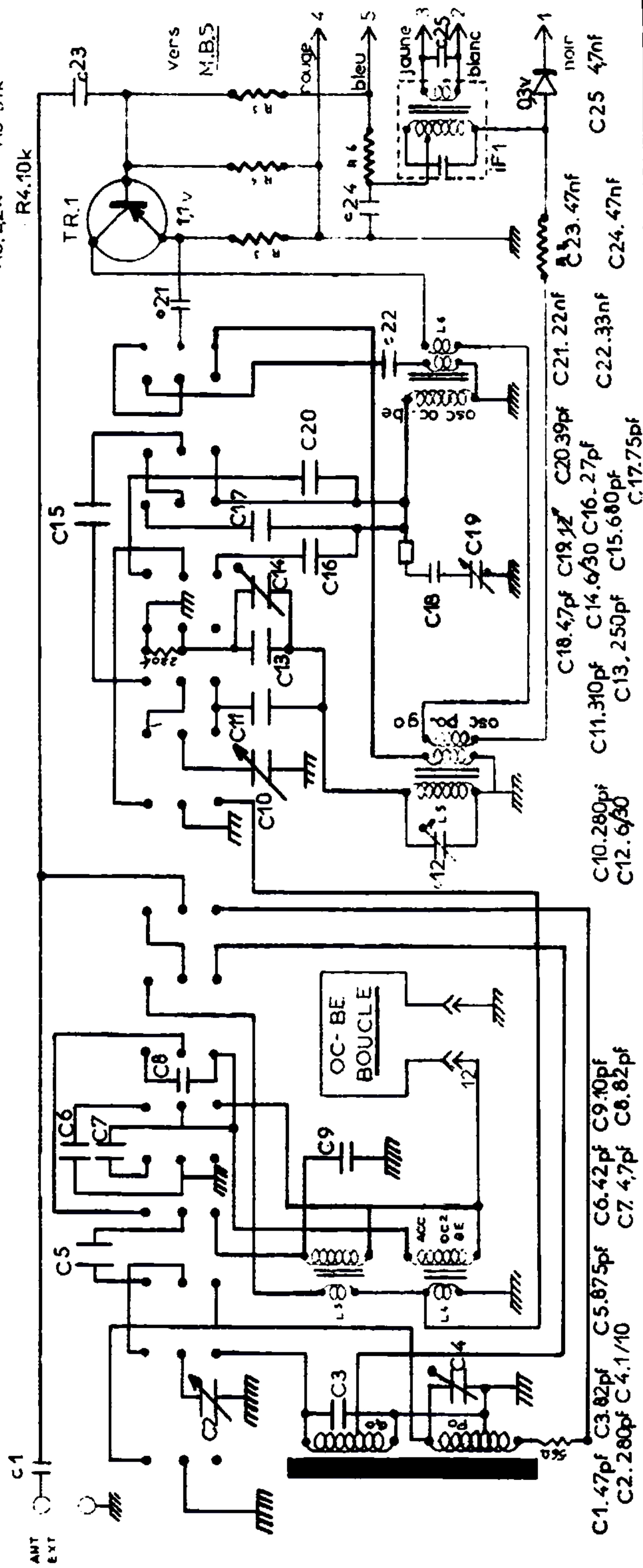
CONTACTEUR

COULEURS STANDARD DES SORTIES

NOIR: bornes de modulation ~
 BLANC: entrées " " " E~
 ROUGE: bornes continues positives
 JAUNE: polarisation ou autres

860

A2 D1 A1 E2 H2 F2 G2 C1 B1 F1 B2 C2 A3 H1 G1 E1 B3 D2



TR 1.A.F125

R2.220 R6.1k
 R3.22k R5.51k
 R4.10k

C1.47pf C3.82pf C5.875pf C6.42pf C9.10pf
 C2.280pf C4.1/10 C7.4.7pf C8.82pf

C10.280pf C11.310pf C12.6/30 C13.250pf C15.680pf
 C18.47pf C19.1/2 C20.39pf C21.22nf C22.33nf
 C23.47nf C24.47nf C25.47nf

Vers N.B.5

NOIR

C25 47nf

C24.47nf

CONNECTIONS DU SYSTEME-MOSTA

