

PRIVAT-EAR INSTRUCTION AND
SERVICE NOTES

OPERATION - To place the PRIVAT-EAR radio in operation, pull out the plastic bead on top of case. This extends the built-in telescopic antenna. When all four telescoping sections are exposed, the receiver power is automatically turned "ON". The radio is turned "OFF" by pushing the plastic bead down until all sections of the telescopic antenna are inside the case.

Note: The set is not turned "ON" and "OFF" by means of volume control knob.

EARPHONE - Place earphone on ear so that it fits comfortably.

VOLUME CONTROL - This control appears above the VOL marking on the case. Turn the knob about $3/4$ of its full clockwise rotation.

STATION SELECTOR - The right hand knob is the station selector. Numbers 6 and 9 and 16 on the case correspond to approximately 600, 900 and 1600 kilocycles. Turn knob slowly until maximum volume of desired station is obtained. Adjust the volume control to desired volume.

NOTE: DO NOT TRY TURNING SET "ON" OR "OFF" BY ROTATING VOLUME CONTROL BEYOND STOP.

RECOMMENDED SERVICE PROCEDURE

1. Set Does Not Work:

- a) Remove bottom half of back and check batteries.
- b) With antenna fully extended, press down on metal contact which is actuated by antenna section. If set plays when the contact is pressed, it indicates a dirty contact or insufficient pressure. A slight bend near the riveted section of this contact will increase the pressure.

2. Set Performs, But Is Weak:

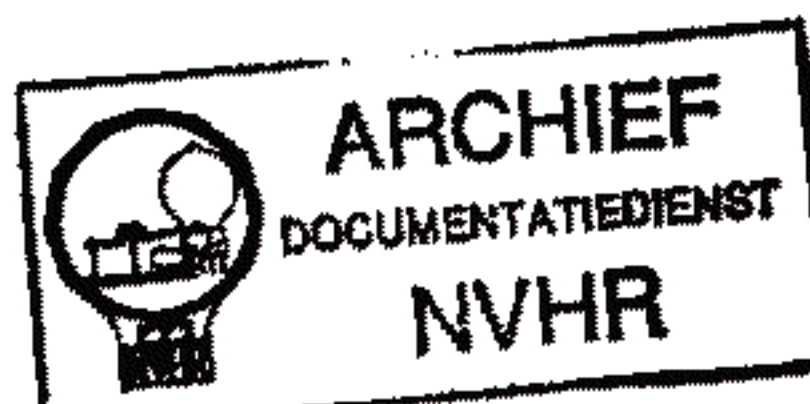
- a) Check batteries.
- b) Set may be operating in a poor reception area.
- c) Antenna may not be extended fully.

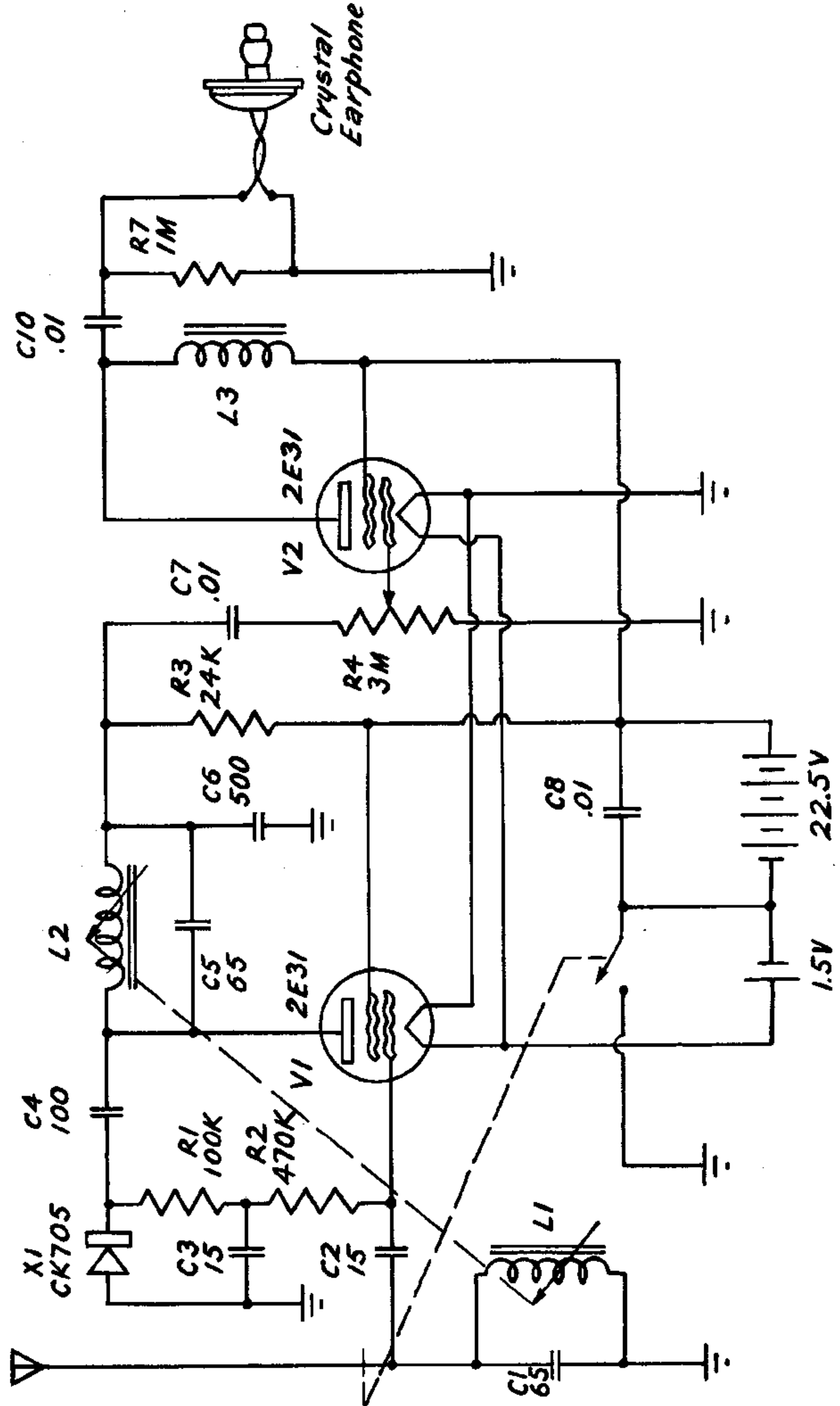
3. Receiver Alignment:

NOTE: The receiver was properly aligned before it left the factory. Actual alignment will be required if a coil is being replaced or if it has become loose.

- a) Remove upper half of back of case.
- b) Adjust modulated signal generator to 1600 kilocycles.
- c) Place "hot" side of generator output lead about 2 inches away from telescopic antenna.
- d) Turn station selector knob so that iron slugs are as far as possible outside the coils.
- e) Move each coil relative to the slug until maximum signal from the signal generator is heard.
- f) Carefully fasten coils to plastic chassis, using a quick drying radio cement.

Ned. Ver. v. Historie v/d Radio





Crystal Earphone

22.5V
1.5V