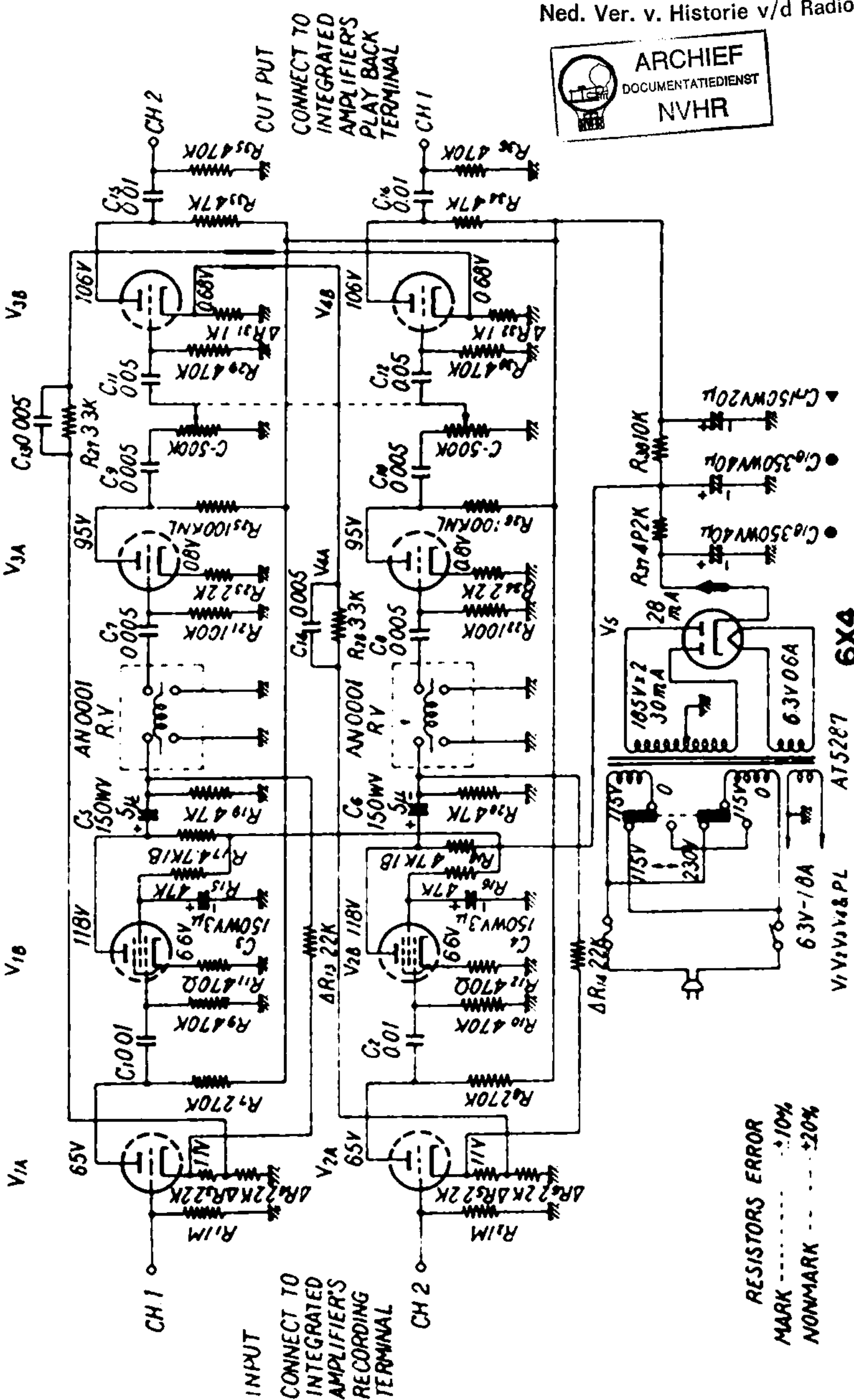


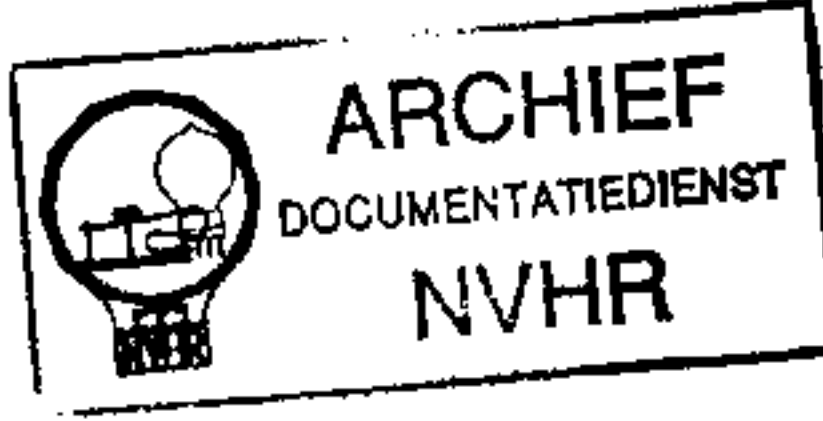
# SR-101

6BM8 x2

12AX7 x2



Ned. Ver. v. Historie v/d Radio



6X4 AT5287 V1V2V3V4&PL