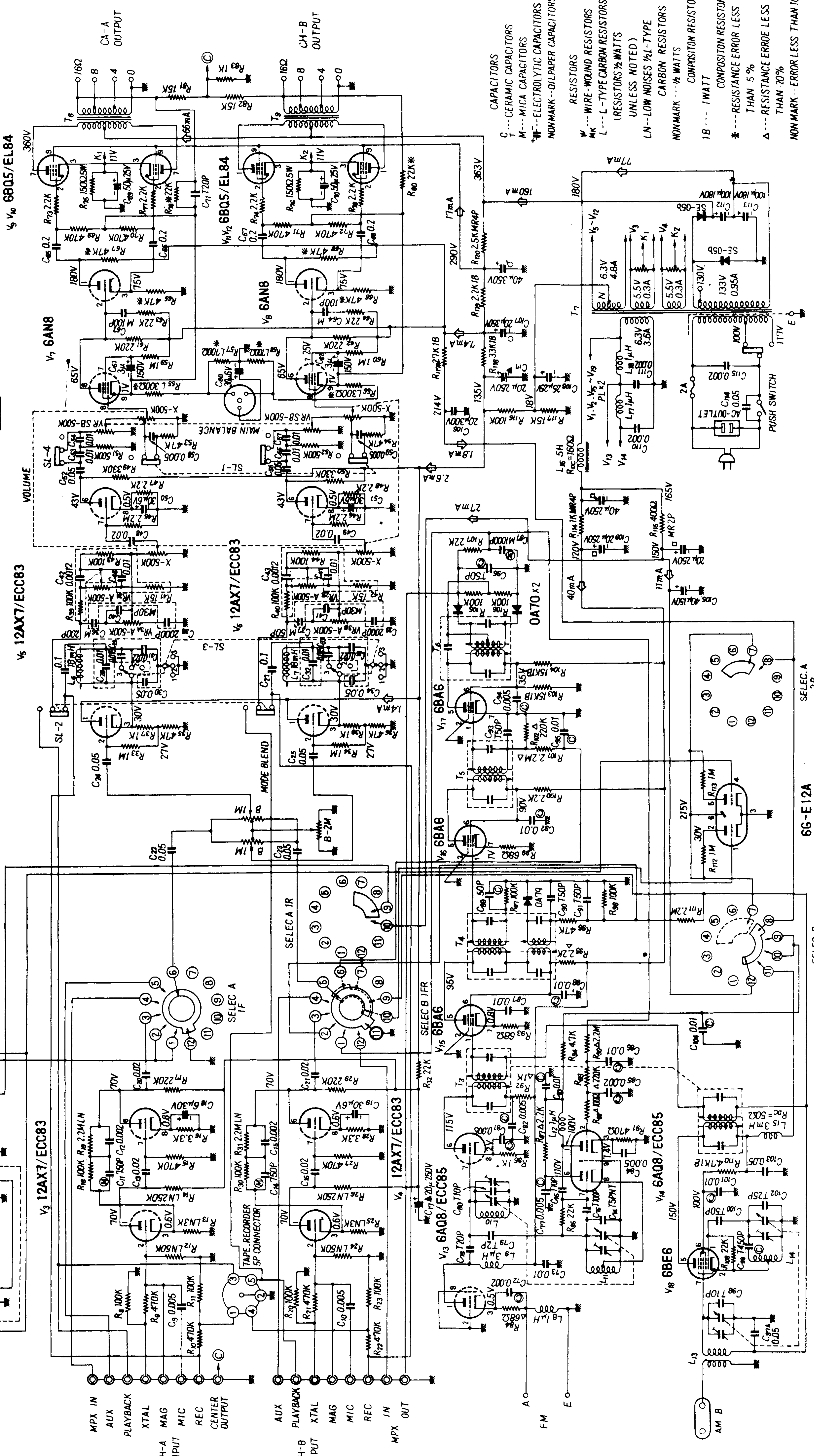
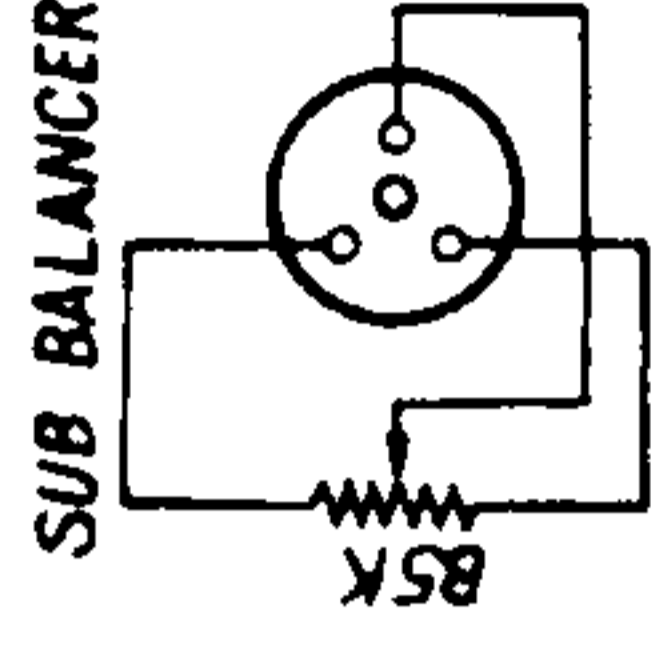


- SL-1 --- LOUDNESS
- 2 --- TAPE MONITOR
- 3 --- 1. WHISTLE FILTER
- 4 --- 2. OFF
- 5 --- 3. SCRATCH FILTER
- 6 --- 4. RUMBLE FILTER

- MODE BLEND**
- 1 STEREO NORMAL
 - 2 MONO A+B
 - 3 STEREO REVERS
- SELECTOR B**
- 1 OFF
 - 2 FM MPX
 - 3 FM
 - 4 MW
 - 5 PHONO
 - 6 AUX
- SELECTOR A**
- 1 OFF
 - 2 SW
 - 3 MW
 - 4 PHONO
 - 5 FM MPX
 - 6 AUX



- CAPACITORS**
- C --- CERAMIC CAPACITORS
 - M --- MICA CAPACITORS
 - W --- ELECTROLYTIC CAPACITORS
 - NON MARK --- OIL PAPER CAPACITORS
- RESISTORS**
- W --- WIRE-WOUND RESISTORS
 - M --- L-TYPE CARBON RESISTORS (RESISTORS 1/2 WATTS UNLESS NOTED)
 - LN --- LOW NOISES 1/2 L-TYPE CARBON RESISTORS
 - NON MARK --- 1/2 WATTS COMPOSITION RESISTORS
 - 1B --- 1 WATT COMPOSITION RESISTORS
 - * --- RESISTANCE ERROR LESS THAN 5%
 - Δ --- RESISTANCE ERROR LESS THAN 20%
 - NON MARK --- ERROR LESS THAN 10%

66-E12A
SELEC. A
2R

SELEC. B
2R