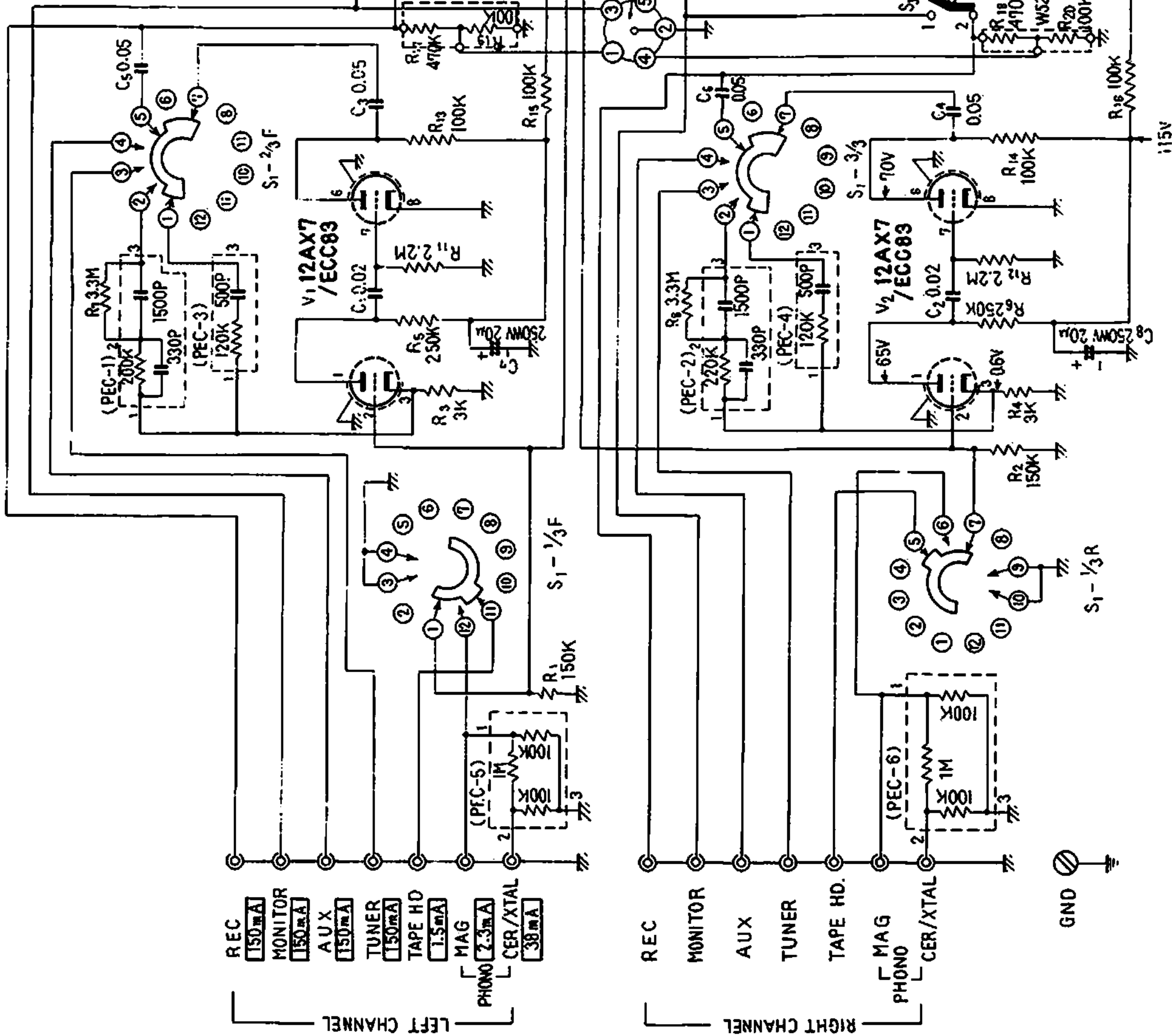


- POTENTIOMETERS**
 VR₁ VOLUME CONTROL
 VR₂ TREBLE CONTROL
 VR₃ BASS CONTROL
 VR₄ MAIN HUM ADJ.
- TOGGLE SWITCHES**
 S₁ INPUT SELECTOR
 S₂ MODE SELECTOR 1 MONO 2 STEREO
 S₃ TAPE MONITOR 1 ON 2 OFF
 S₄ LOUDNESS CONTOUR 1 ON 2 OFF
 S₅ SPEAKER SLIDE SWITCH
 S₆ SPEAKER IMPEDANCE SELECTOR 1 16Ω 2 8Ω
- PACKAGED ELECTRONIC CIRCUITS**
 PEC-1 }
 PEC-2 }
 PEC-3 }
 PEC-4 }
 PEC-5 }
 PEC-6 }
 PEC-7 }
 PEC-8 }
- POWER SWITCH**
 S₇ ON OF
 VOLTAGE SELECTOR
 S₈ 117V ↔ 100V



← (NO INPUT SIGNAL) DC CURRENT
 ← (NO INPUT SIGNAL) DC VOLTAGE
 * ALL VOLTAGE ARE MEASURED WITH V.T.V.M
 * ALL CURRENTS ARE MEASURED WITH PRECISION CURRENT METER
 CAPACITORS
 IN μF UNLESS OTHERWISE NOTED
 P = μμF

RESISTORS
 1/2 WATT UNLESS OTHERWISE NOTED
 K = KILOHM M = MEGOHM
 W = WATT NONMARK = OHM

Model SA-400

| ITEM NO. | VACANT |
|----------------------------------|----------------------------------|
| R ₁ ~ R ₉₁ | R ₉ , R ₁₀ |
| C ₁ ~ C ₄₆ | C ₄₇ |

