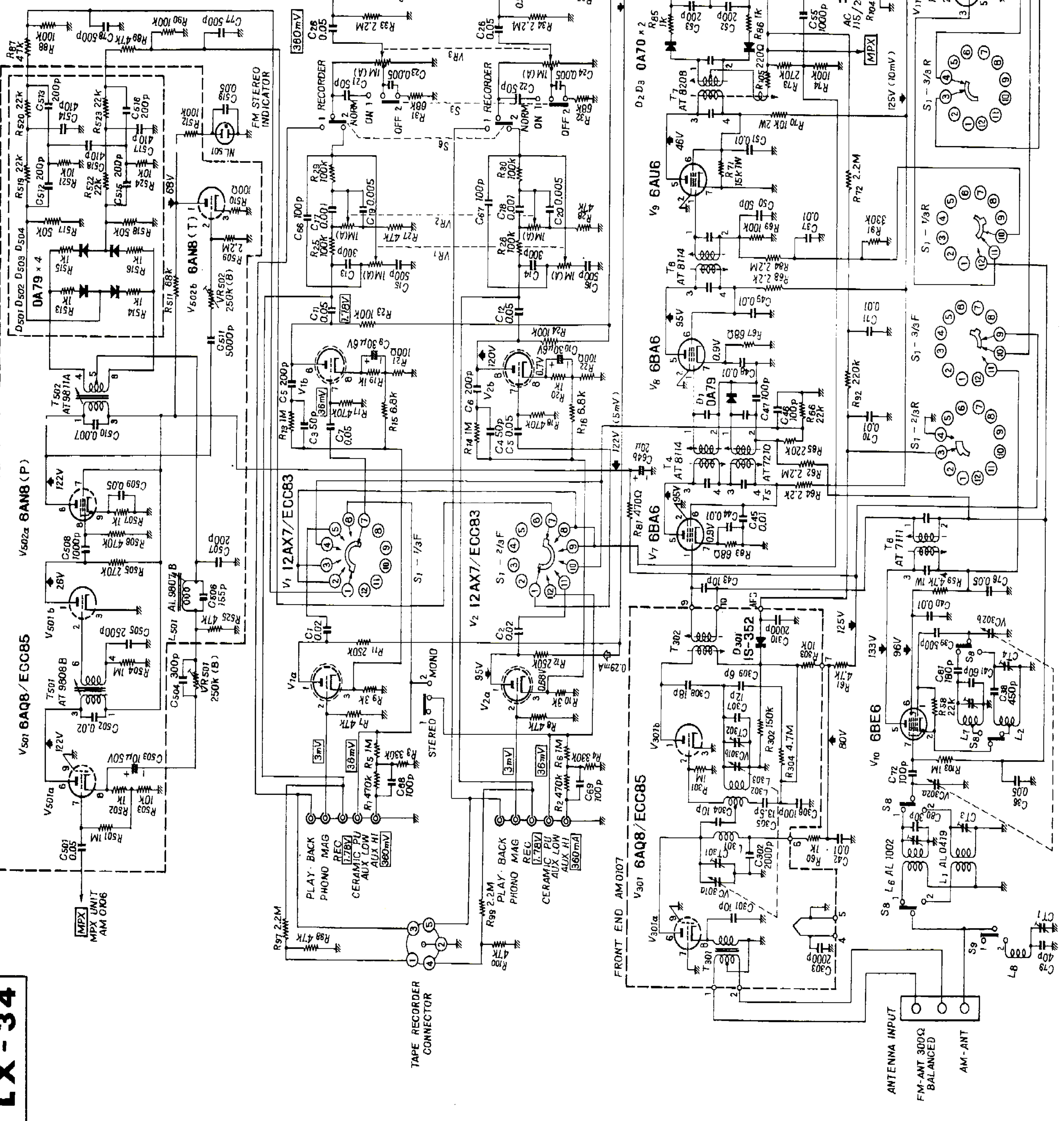


- SLIDE SWITCHES**
- S1 SELECTOR
 - 1 STEREO FM AFC
 - 2 FM
 - 3 FM AFC
 - 4 AM
 - 5 PHONO
 - 6 AUX
- AUX, MODE (1 - STEREO ↔ 2 - MONO)**
- LOUDNESS (1 - ON ↔ 2 - OFF)**
- IMPEDANCE SELECTOR (1 - 8Ω ↔ 2 - 16Ω)**
- SPEAKER (1 - ON ↔ 2 - OFF)**
- TAPE MONITOR SWITCH**
- POWER (1 - ON ↔ 2 - OFF)**
- AM BAND (1 - LW ↔ 2 - MW)**
- IF TRAP (1 - OFF ↔ 2 - ON)**
- VOLTAGE SELECT (1 - 115V ↔ 2 - 230V)**



⊙ ALL VOLTAGES ARE MEASURED WITH V.T.V.M

⊙ ALL CURRENTS ARE MEASURED WITH PRECISION CURRENT METER

⚡ --- D.C. VOLTAGE (NO SIGNAL INPUT)

(V) --- RIPPLE VOLTAGE (NO SIGNAL INPUT)

↻ --- D.C. CURRENT (NO SIGNAL INPUT)

⊞ --- INPUT VOLTAGE TO ACQUIRED 10 WATTS OUT PUT (1Kc)

⊞ --- D.C. VOLTAGE (AT 10 WATTS OUT PUT)

ITEM NO	VACANT
EXCLUDING	R1 ~ R105
MPX SECTION	C1 ~ C82
FRONT END SECTION	R301 ~ R304
MPX SECTION	C301 ~ C310
	R501 ~ R505
	C501 ~ C519

TREBLE VR1

BASS VR2

VOLUME VR3

HUM BALANCE VR4

FM MPX SEPARATION CONTROL VR501

FM MPX INDICATOR ADJUSTMENT VR502

TAPE RECORDER CONNECTOR

PLAY - BACK PHONO MAG

REC

CERAMIC PU

AUX LOW

AUX HI

ANTENNA INPUT

FM-ANT 300Ω BALANCED

AM-ANT

MPX UNIT

AM 0106

FM STEREO INDICATOR

RECORDER

ON 1

OFF 2

RECORDER

ON 1

OFF 2

RECORDER

ON 1

OFF 2

RECORDER

ON 1

OFF 2

RECORDER

ON 1

OFF 2

RECORDER

ON 1

OFF 2

RECORDER

ON 1

OFF 2

RECORDER

ON 1

OFF 2

RECORDER

ON 1

OFF 2

RECORDER

ON 1

OFF 2

RECORDER

ON 1

OFF 2

RECORDER

ON 1

OFF 2

RECORDER

ON 1

OFF 2

RECORDER

ON 1

OFF 2

RECORDER

ON 1

OFF 2