

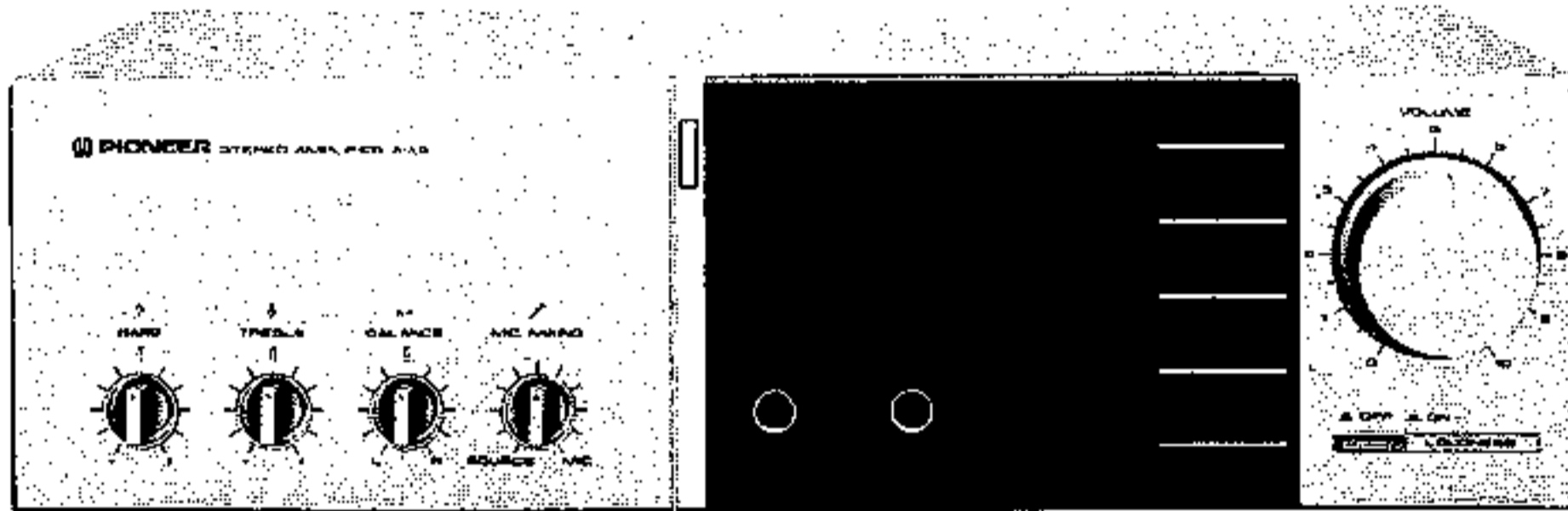
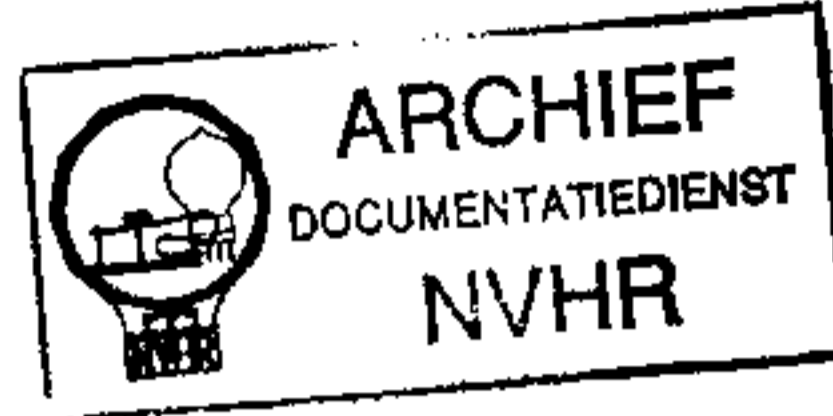
# Operating Instructions

# STEREO AMPLIFIER A-X5

English	Page 1
Deutsch	Seite 11
Français	Page 19
Italiano	Pag. 27

NE

Ned. Ver. v. Historie v/d Radio



## IMPORTANT

To prevent electric shock, do not remove cover. No user serviceable parts inside, refer servicing to qualified service personnel. Always disconnect all the equipment from the mains supply when disconnecting the signal leads. The power cord should be connected last. Make sure that the power switch is off.

Unplug the set from the wall socket when it is not to be used for an extended period of time.

When using this unit in the United Kingdom, the power line voltage must be changed by a PIONEER Authorized Service Station.

## CONTENTS

Rear Panel Facilities and Connections . . . . .	2	Operation . . . . .	6
System Connections . . . . .	3	Specifications . . . . .	8
Front Panel Facilities . . . . .	4	Troubleshooting . . . . .	9

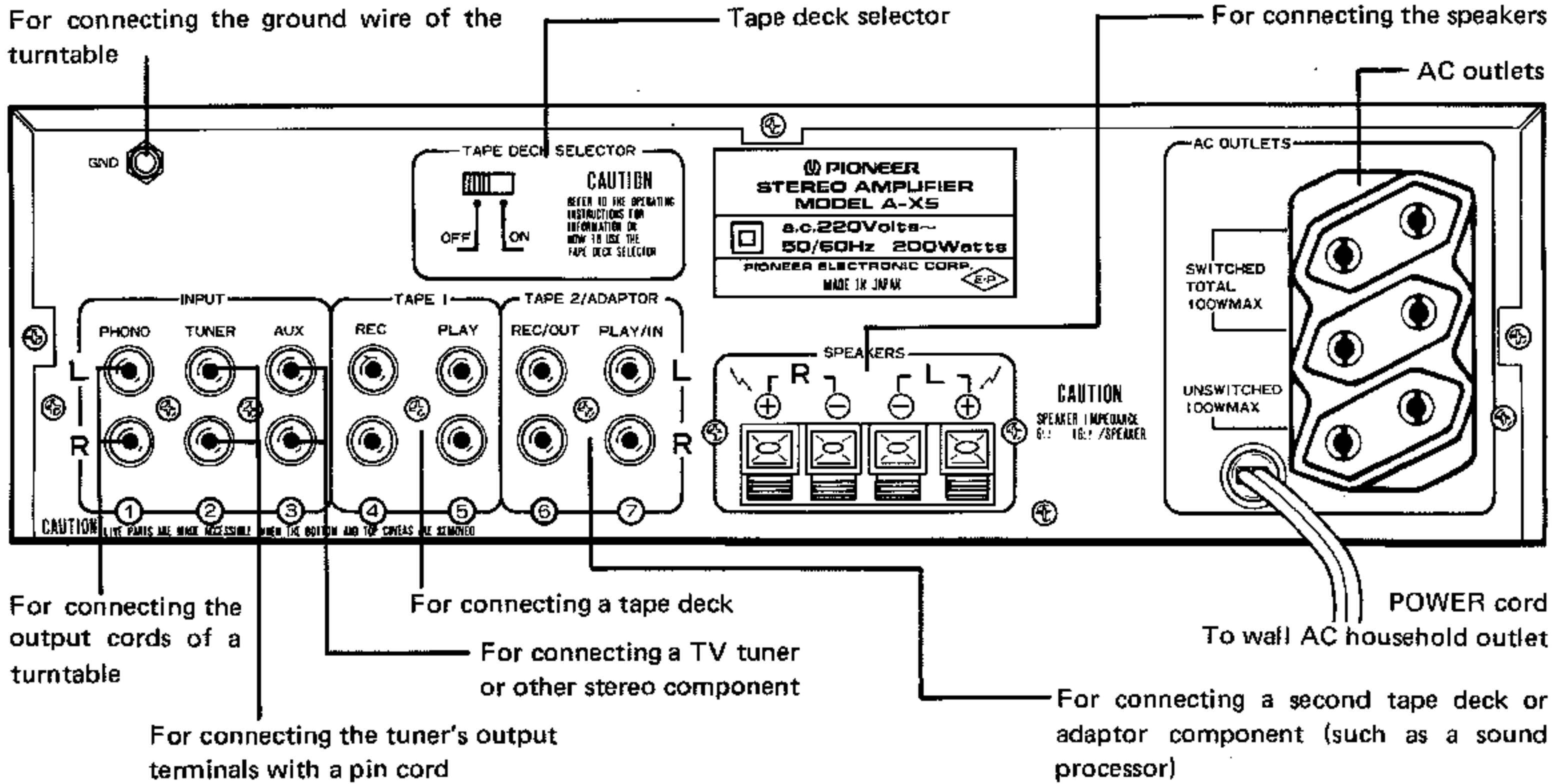
ENGLISH

DEUTSCH

FRANÇAIS

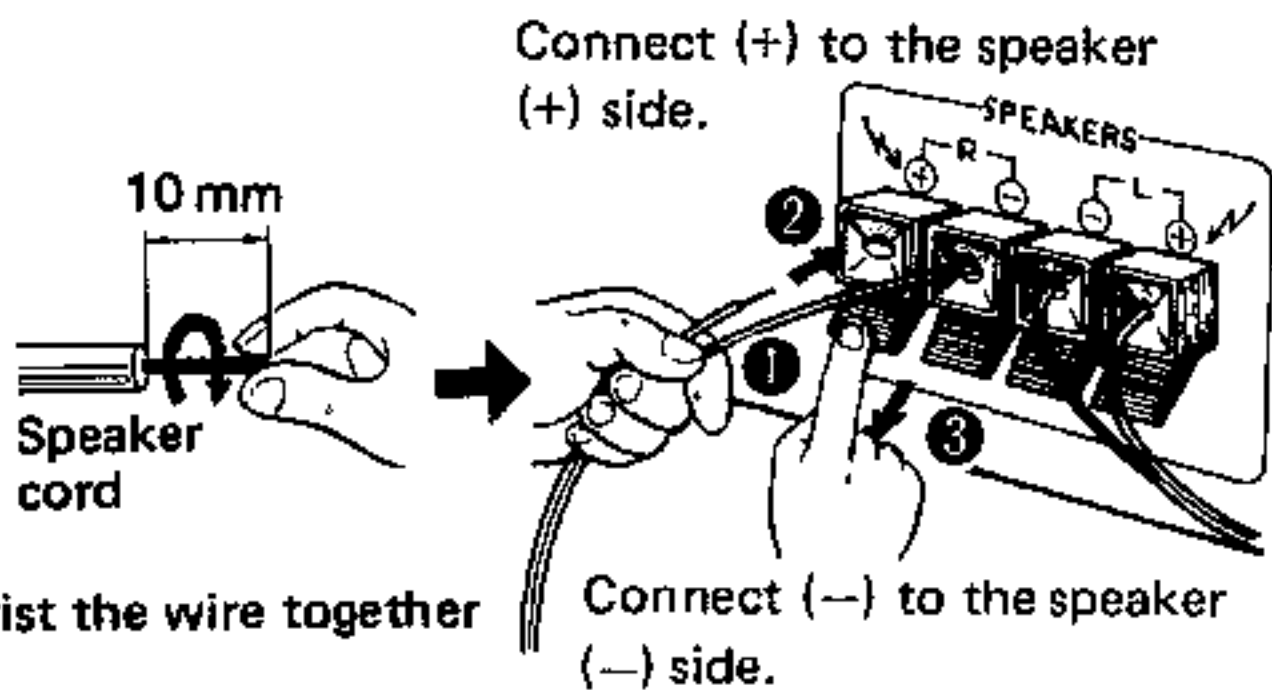
ITALIANO

# REAR PANEL FACILITIES AND CONNECTIONS



## CONNECTING THE SPEAKER CORDS

Peel off the vinyl covering and twist the ends together. Push the lever and insert the cord into the opening.



Release the lever and pull the cord to see that it is connected properly and securely.

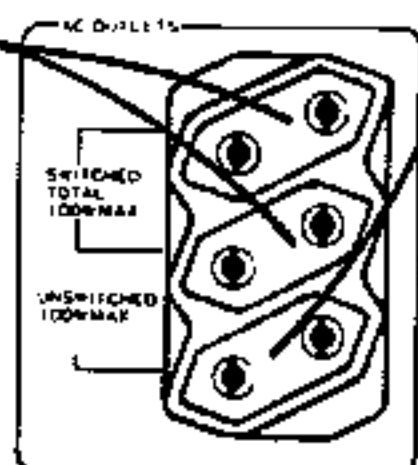
## SPEAKER IMPEDANCE

Use speaker systems with an impedance ranging from 6 to 16 ohms.

## AC OUTLETS

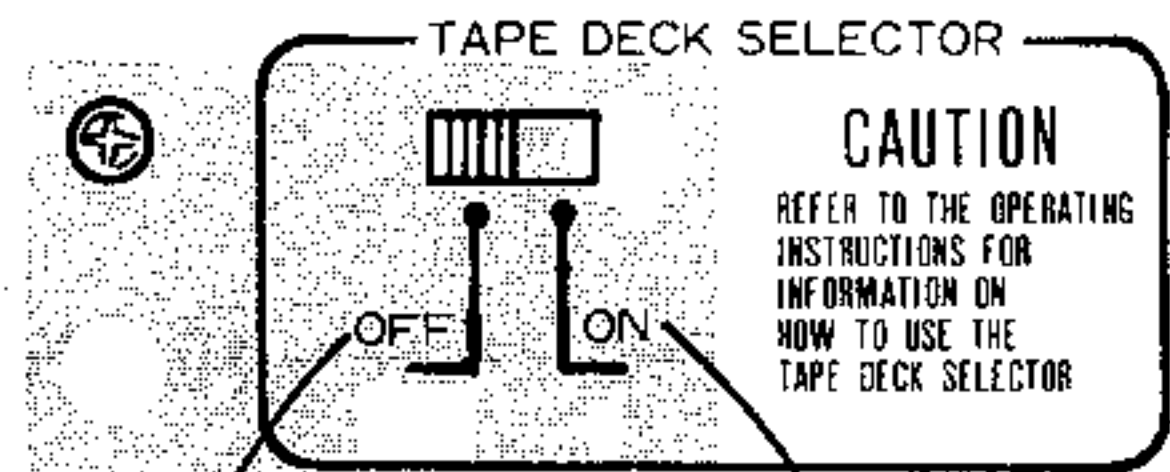
Plug the power cords of the stereo components into these outlets.

This is coupled to the ON/OFF operations of the amplifier's power switch and the power is switched ON or OFF by this switch. This is not coupled to the amplifier's power switch and is the same as any ordinary outlet.



## TAPE DECK SELECTOR

This is set to the position corresponding to the type of tape deck which is connected.



OFF: Set here with ordinary tape decks. ON: Set here for the PIONEER double cassette deck.

### NOTE:

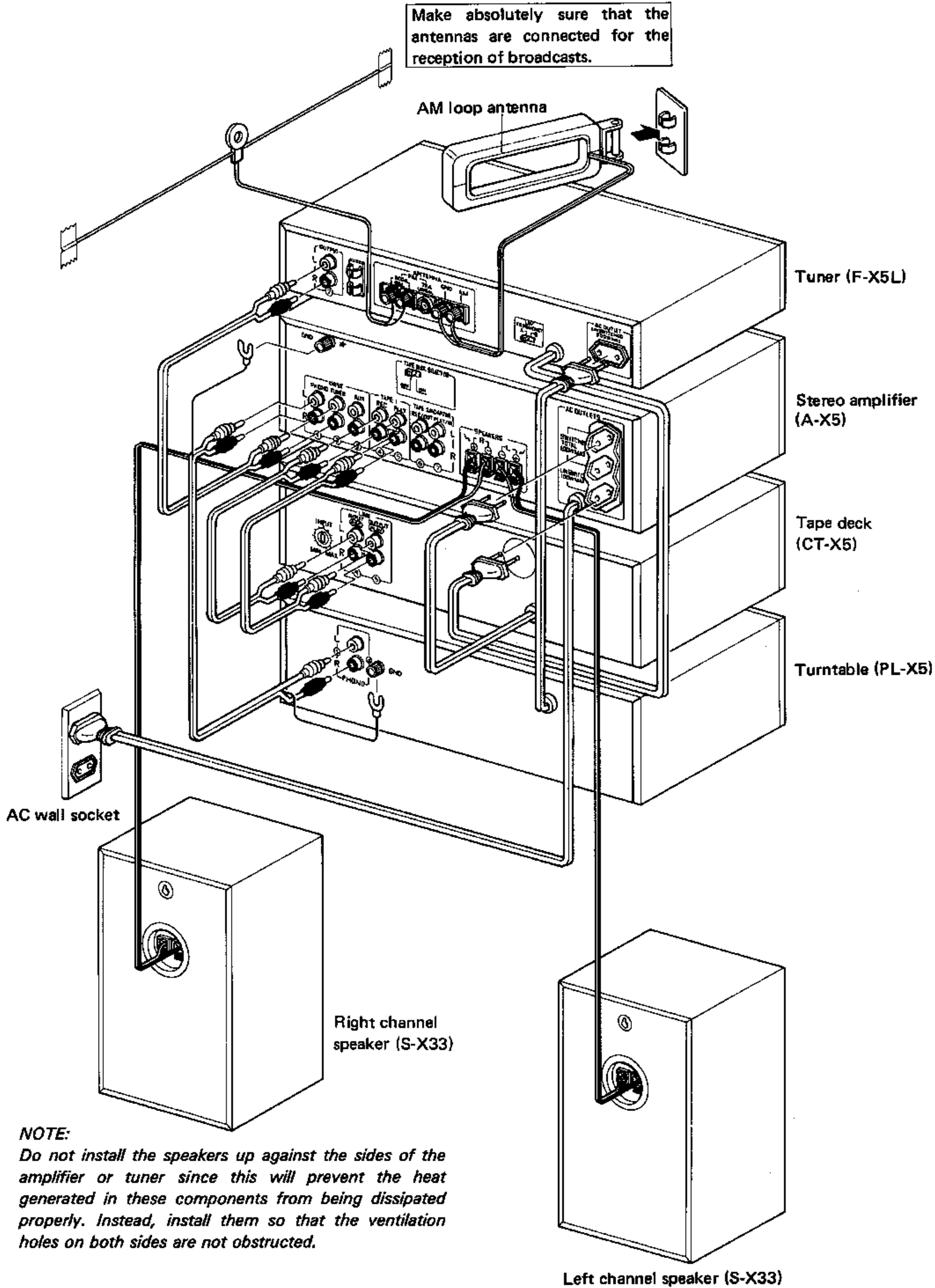
Always make sure that the tape deck selector has been set to the proper position. If it has been set improperly, recording may not be possible while, during playback, vibrations may be generated that will damage the speakers.

### NOTE:

Under no circumstances should electrical equipment (such as a toaster or hair drier) with a power consumption exceeding the rating (in watts) marked on the panel be connected to these outlets.

# SYSTEM CONNECTIONS

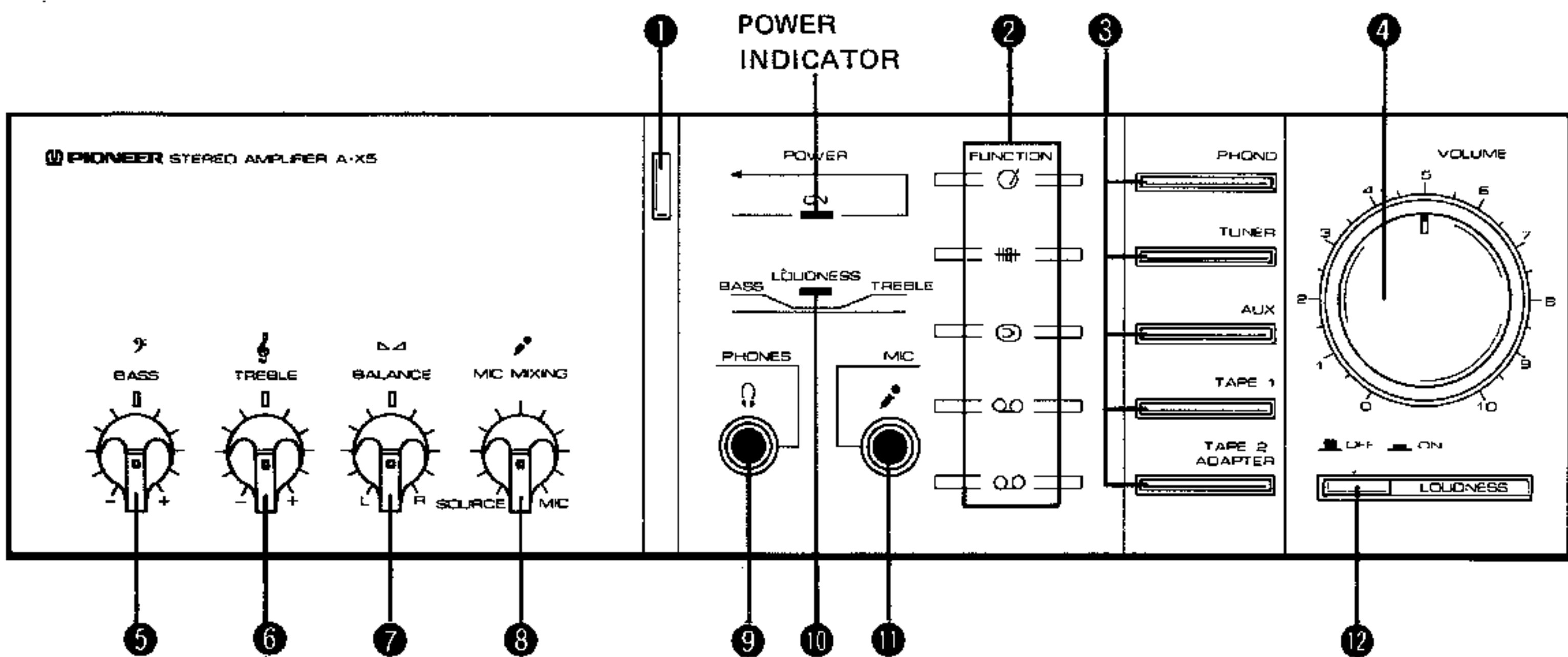
Make absolutely sure that the antennas are connected for the reception of broadcasts.



**NOTE:**

Do not install the speakers up against the sides of the amplifier or tuner since this will prevent the heat generated in these components from being dissipated properly. Instead, install them so that the ventilation holes on both sides are not obstructed.

# FRONT PANEL FACILITIES



## ① POWER SWITCH (POWER)

Push this switch to turn on the power. Release it to turn off the power.

## ② FUNCTION INDICATORS (FUNCTION)

The indicator corresponding to the selected function switch lights.

## ③ FUNCTION SWITCHES (FUNCTION)

These are used to select the program source which is to be heard. Function indicators are provided on the left side of each of the switches. The indicator corresponding to the selected function switch lights to indicate that the function is "ON".

**PHONO:** For playing records on the turntable connected to the PHONO terminals

**TUNER:** For listening to broadcasts on a tuner connected to the TUNER terminals

**AUX:** For playing a stereo component connected to the AUX terminals

**TAPE-1:** For playing back a tape on the tape deck connected to the TAPE-1 terminals

**NOTE:** Press only one function switch at a time.

**TAPE-2/ADAPTOR:** For playing back a tape on a second tape deck or playing an adaptor component (such as a sound processor) connected to the TAPE-2/ADAPTOR terminals

## ④ VOLUME CONTROL (VOLUME)

This is used to adjust the volume of the speakers and headphones. No sound is heard when the control is at the "0" position. To turn up the volume, rotate the control clockwise.

## ⑤ BASS CONTROL (♭ BASS)

This is used to adjust the bass (low-frequency) sound. The bass is boosted when the control is rotated clockwise from the center position and attenuated when rotated counterclockwise.

## ⑥ TREBLE CONTROL (♯ TREBLE)

This is used to adjust the treble (high-frequency) sound. The treble is boosted when the control is rotated clockwise from the center position and attenuated when rotated counterclockwise.

## ⑦ BALANCE CONTROL (▷△ BALANCE)

When this control is rotated clockwise, the right channel sound is increased; when rotated counterclockwise, the left channel sound is increased.

**NOTE:**

If the control is rotated to the left or right as far as it will go, no sound will be heard from the opposite speaker.

**⑧ MIC MIXING CONTROL (  MIC MIXING)**

This is used for mixing sound with that of a microphone. When the control is rotated clockwise, the microphone volume is increased. When rotated to the right as far as it will go, the program source sound is no longer heard and the only sound heard is that from the microphone.

**NOTE:**

*Keep this control at its leftmost position when you are not performing a mic mixing operation. If it is left rotated clockwise, no sound will be heard even if the VOLUME control is turned up.*

**⑨ PHONES JACK (  PHONES)**

Use this jack for listening to program sources through your headphones. Connect the plug on the headphones properly to this jack. Once connected, no sound will be heard through the speakers.

**NOTE:**

*Get into the habit of turning down the volume before plugging in the headphones. Loud sounds can damage your ears.*

**⑩ LOUDNESS INDICATOR (LOUDNESS)**

This lights when the LOUDNESS switch is set to ON.

**⑪ MIC JACK (  MIC)**

This is used to connect the microphone. Its volume is adjusted with the MIC MIXING control.

**NOTE:**

*Use a microphone with a standard plug. If your microphone comes with a mini plug, obtain the optional JK-6 plug adaptor.*

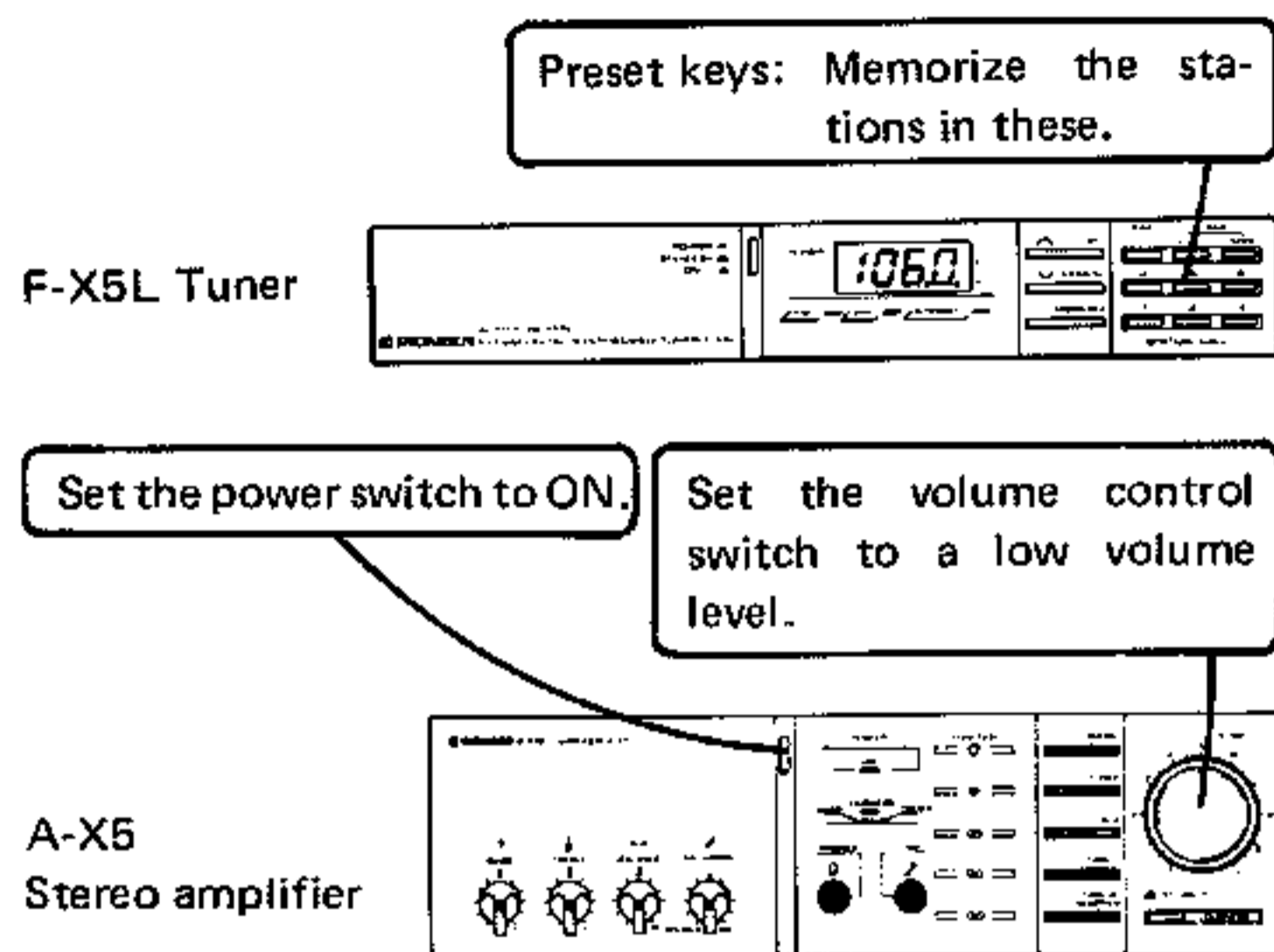
**⑫ LOUDNESS SWITCH (LOUDNESS)**

Push this switch to the ON position to listen to a program at a low level of sound. The bass and treble are boosted and you can enjoy a dynamic sound even at a low level.

# OPERATION

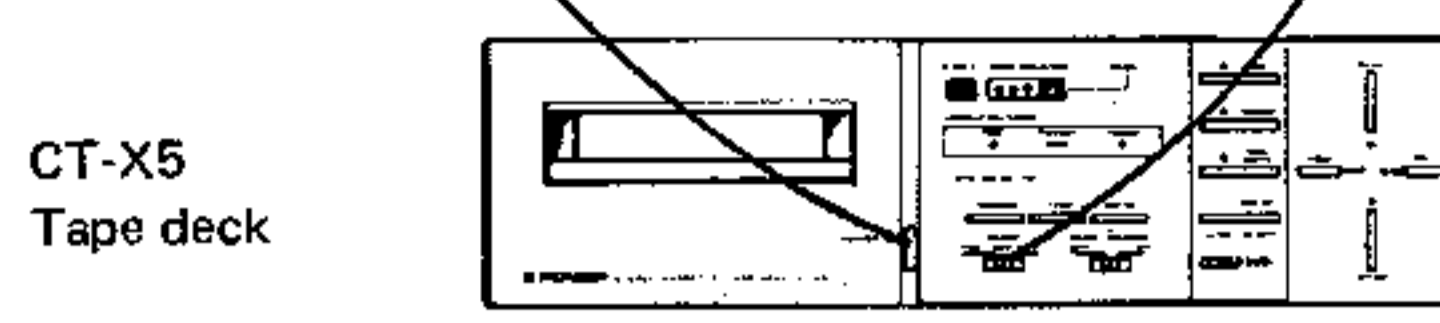
## BEFORE OPERATION

Set up the components as described below before starting to operate them.

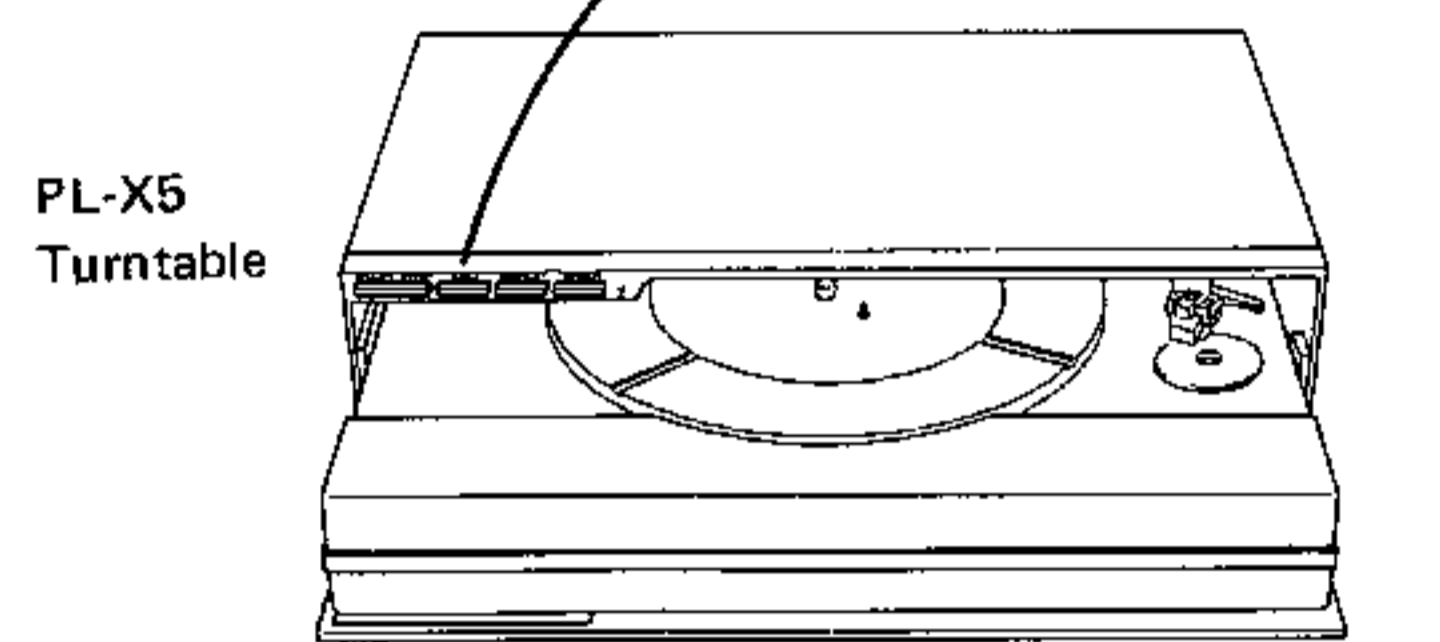


Set the power switch to ON.

Set the timer switch to OFF.



Release the ARM switch.



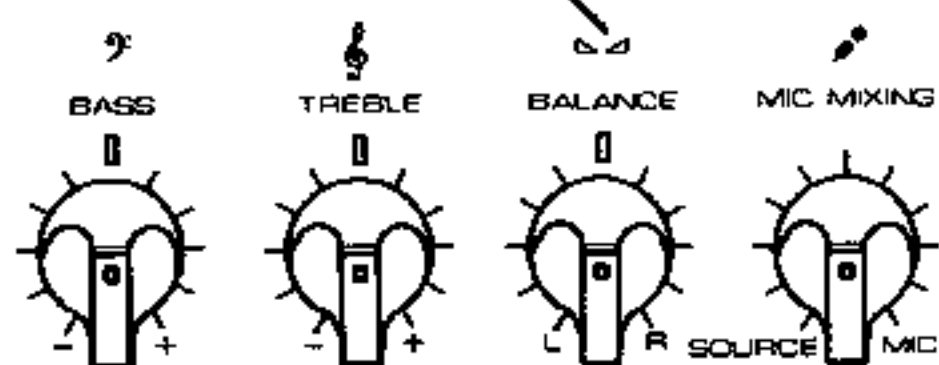
**NOTE:** Before operating the switches, check that the connecting cords and power cords have been connected as in the figure.

1 OPERATING THE COMPONENTS		Function Switch Operation	
BROADCAST RECEPTION	<p>Press the preset key with the desired station memorized.</p>		
TAPE PLAYBACK	<p>① Power is supplied to the CT-X5 when the power switch on the A-X5 is set to ON.</p> <p>② Press the eject switch</p> <p>③ Load the cassette tape into the holder with the playback side facing you.</p> <p>④ Press the PLAY switch.</p>		
RECORD PLAY	<p>① Set the power switches of the PL-X5 and A-X5 to ON.</p> <p>② Open the door. The power now comes ON.</p> <p>③ The turntable comes forward when the START/STOP switch is pushed.</p> <p>④ Press the START/STOP switch after having placed the record on the platter.</p>		

## 2 ADJUSTING THE VOLUME AND TONE

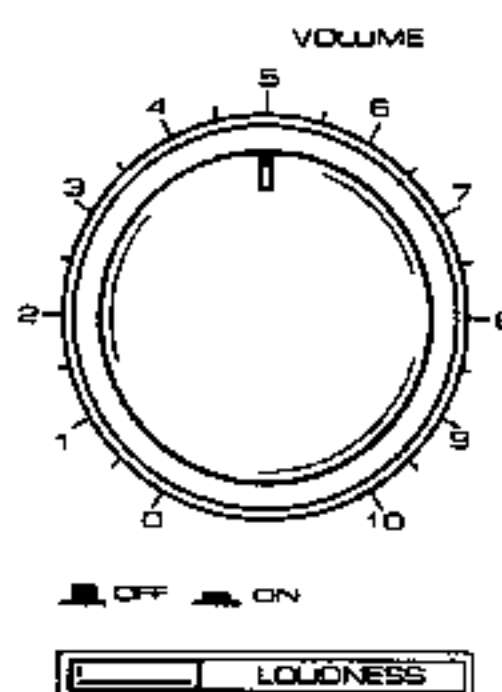
### Balance control:

This adjusts the balance between the sound from the left and right channels.



### Tone controls:

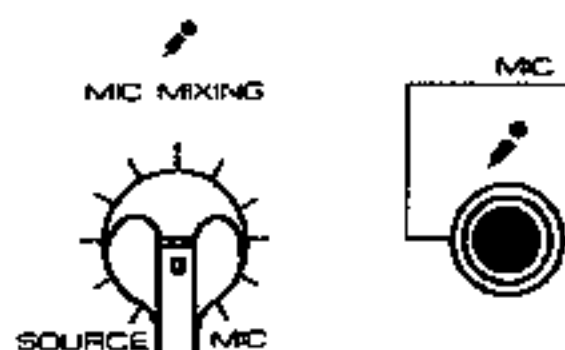
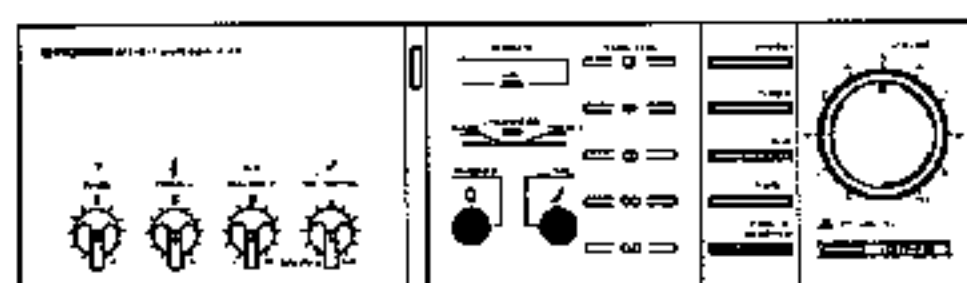
Adjust these for the preferred bass and treble.



### Volume control:

Turn to the right to raise the volume.

## 3 MIC MIXING OPERATIONS



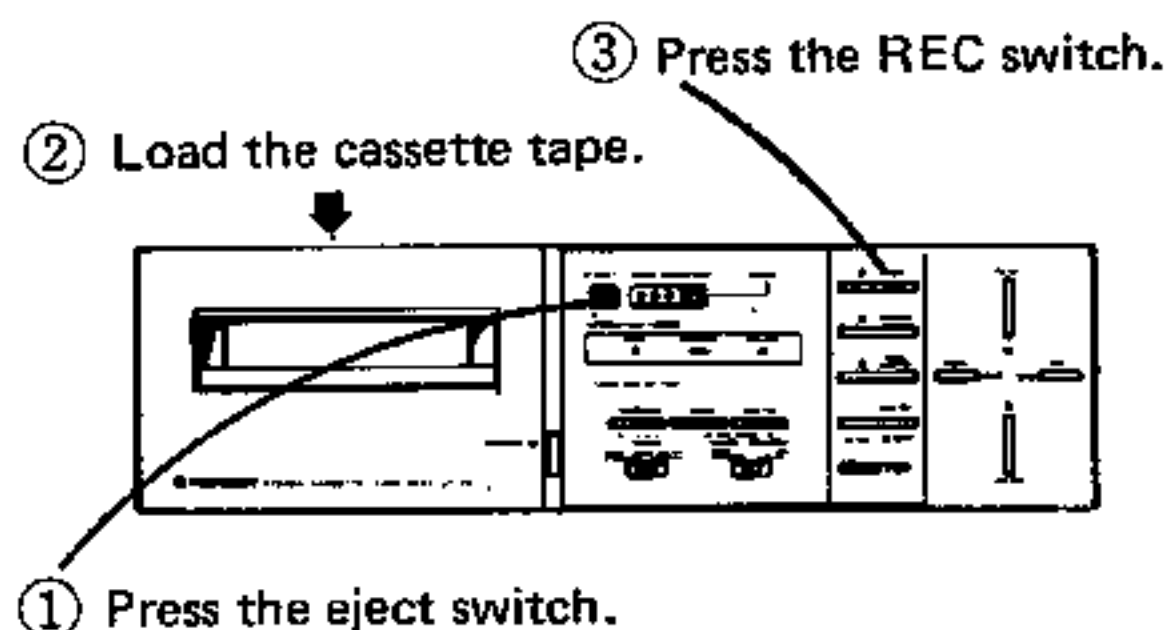
② Speak into the microphone and rotate the MIC MIXING control to attain a balance between the volumes of the microphone and program source.

① Insert the microphone's plug into the MIC jack as far as it will go.

### PRECAUTIONS WITH MICROPHONE CONNECTION

- Check the jack before connecting the plug securely. The microphone can be damaged if connected in error to the PHONES jack.
- The MIC jack is a standard 6.3mm diameter jack. If your microphone has a mini plug, obtain the PIONEER JK-6 plug adaptor.

## 4 RECORDING



### Sound mixed with tape sound can be recorded using two decks (or radio-cassette recorder).

- 1 Connect the playback tape deck to the AUX terminals on the A-X5.
- 2 Press the AUX switch and perform mic mixing and then proceed with the operations on the left.

AUX jacks



### NOTE:

Always select one function switch at a time. An unnatural sound will be heard if two switches are pressed simultaneously. If this happens, press the switch corresponding to the proper program source again.

# SPECIFICATIONS

---

## Amplifier Section

Continuous Average Power Output is 30 watts per channel, min., at 8 ohms from 20 Hertz to 20,000 Hertz with no more than 0.1 % total harmonic distortion.

Continuous Power Output at 1 kHz (both channels driven)	
T.H.D. 1%, 8 ohms . . . . .	35 watts per channel
Total Harmonic Distortion (20 Hertz to 20,000 Hertz, 8 ohms, from AUX)	
continuous rated power output . . .	No more than 0.1%
20 watts per channel power output . . . . .	No more than 0.1%
Damping Factor (1,000 Hertz, 8 ohms) . . . . . 30	
Input (Sensitivity/Impedance)	
PHONO . . . . .	2.5mV/50 kilohms
TUNER, AUX, TAPE PLAY, ADAPTOR IN . . . . .	150mV/50 kilohms
MIC . . . . .	1mV/15 kilohms
Phono Overload Level (T.H.D. 0.1%, 1,000Hz)	
PHONO . . . . .	140mV
Output Level	
TAPE REC . . . . .	150mV
SPEAKER . . . . .	6 ~ 16 ohms
Frequency Response	
PHONO (RIAA Equalization) . . . . .	20Hz to 20,000Hz $\pm$ 0.3dB
TUNER, AUX, TAPE PLAY, ADAPTOR . . . . .	10Hz to 60,000Hz $\pm$ 2dB
Tone Control	
BASS . . . . .	$\pm$ 10dB (100Hz)
TREBLE . . . . .	$\pm$ 10dB (10kHz)
Loudness Contour (Volume control set at -40dB position)	
. . . . .	+8dB (100Hz), +4dB (10,000Hz)
Hum and Noise (IHF, short circuited A network)	
PHONO . . . . .	71dB
TUNER, AUX, TAPE PLAY . . . . .	97dB
Hum and Noise (DIN, continuous power/50 mW)	
PHONO . . . . .	68dB/61dB
TUNER, AUX, TAPE PLAY, ADAPTOR IN . . . . .	85dB/62dB

## Miscellaneous

Power Requirements . . . . .	a.c. 220 Volts ~, 50/60Hz
Power Consumption . . . . .	200W(max.)
Dimensions . . . . .	320(W) x 98(H) x 230(D) mm
	12-5/8(W) x 3-7/8(H) x 9-1/16(D) in
Weight (without package) . . . . .	4.2kg (9 lb 4oz)

## Furnished Parts

Operating Instructions . . . . .	1
----------------------------------	---

### NOTE:

*Specifications and design subject to possible modification without notice.*



# TROUBLESHOOTING

If you think that something has gone wrong with your unit, check out the points below before calling in the serviceman. The cause of the trouble may lie in improper maintenance or operation. If the trouble is still not remedied even after the checks have been carried out, contact your nearest PIONEER service center.

Trouble	Possible Cause	Remedy
No sound from speakers.	<ol style="list-style-type: none"> <li>1. Power switch at OFF.</li> <li>2. Disconnected power cord.</li> <li>3. Volume control is set to "0".</li> <li>4. MIC MIXING control at rightmost (MIC side) position.</li> <li>5. Headphones plug connected.</li> </ol>	<ol style="list-style-type: none"> <li>1. Set to ON.</li> <li>2. Re-connect properly.</li> <li>3. Rotate slowly clockwise.</li> <li>4. Rotate counterclockwise (SOURCE side).</li> <li>5. Disconnect.</li> </ol>
No sound from one speaker.	<ol style="list-style-type: none"> <li>1. BALANCE control turned to leftmost or rightmost position.</li> <li>2. Disconnected speaker cord.</li> </ol>	<ol style="list-style-type: none"> <li>1. Set control to center position.</li> <li>2. Re-connect properly.</li> </ol>
No mic mixing.	<ol style="list-style-type: none"> <li>1. MIC MIXING control at leftmost (SOURCE side) position.</li> <li>2. Microphone plug not connected properly.</li> <li>3. Microphone is too far away; improper operation.</li> </ol>	<ol style="list-style-type: none"> <li>1. Rotate clockwise (MIC side).</li> <li>2. Connect properly.</li> <li>3. Refer to Operating Instructions of microphone.</li> </ol>
No tuning of radio stations.	<ol style="list-style-type: none"> <li>1. Disconnected antenna cord.</li> <li>2. Antenna direction and height not adjusted properly.</li> <li>3. Station not tuned in properly.</li> </ol>	<ol style="list-style-type: none"> <li>1. Re-connect properly.</li> <li>2. Install in proper direction and at proper height.</li> <li>3. Refer to Operating Instructions of tuner.</li> </ol>
No record play.	<ol style="list-style-type: none"> <li>1. ARM switch in UP position.</li> <li>2. Disengaged stylus.</li> </ol>	<ol style="list-style-type: none"> <li>1. Set to DOWN.</li> <li>2. Insert stylus properly.</li> </ol>
No recording.	<ol style="list-style-type: none"> <li>1. TAPE-1 or TAPE-2/ADAPTOR function switch at ON.</li> <li>2. Accidental erasure prevention tab on cassette tape broken off.</li> <li>3. Disconnected cord.</li> </ol>	<ol style="list-style-type: none"> <li>1. Press switch that corresponds to program source which is to be recorded.</li> <li>2. Replace cassette tape or cover tab opening with adhesive tape.</li> <li>3. Connect properly. (Refer to REAR PANEL FACILITIES AND CONNECTIONS on page 2.)</li> </ol>
Low sound level of unnatural sound.	<ol style="list-style-type: none"> <li>1. Two function switches depressed simultaneously.</li> </ol>	<ol style="list-style-type: none"> <li>1. Press switch corresponding to program source again properly.</li> </ol>

ENGLISH

---

**PIONEER ELECTRONIC CORPORATION** 4-1, Meguro 1-Chome, Meguro-ku, Tokyo 153, Japan  
**PIONEER ELECTRONICS (USA) INC.** 1925 E. Dominguez St., Long Beach, California 90810 U.S.A.  
**PIONEER ELECTRONIC (EUROPE) N.V.** Keetberglaan 1, 2740 Beveren, Belgium  
**PIONEER ELECTRONICS AUSTRALIA PTY. LTD.** 178-184 Boundary Road, Braeside, Victoria 3195, Australia

<82L02F0S02>

Printed in Japan <ARE-056-0>