

Inlichtingen voor de MEGA Service-Man

Pilot Radio

“Little Maestro de Luxe”

- BIJZONDERE KENMERKEN:**
 Superheterodyne met 5 Amerikaanse buizen: 12 K 8 GT
 - 12 K 7 GT - 12 Q 7 GT - 35 L 6 GT - 35 Z 4 GT.
 Uitvoeringen: 1) wissel- en gelijkstroom 110/130 V.
 2) wissel- en gelijkstroom 220 V.
 Twee golfbanden: 200 - 550 m, 1000 - 2000 m.
 Dynamische PM-luidspreker van 13 cm o.
 Vermogen: 2 watt.
 Ingebouwde antenne.
 Anti-fading-schakeling op 2 buizen.
 Geen aardverbinding vereist.

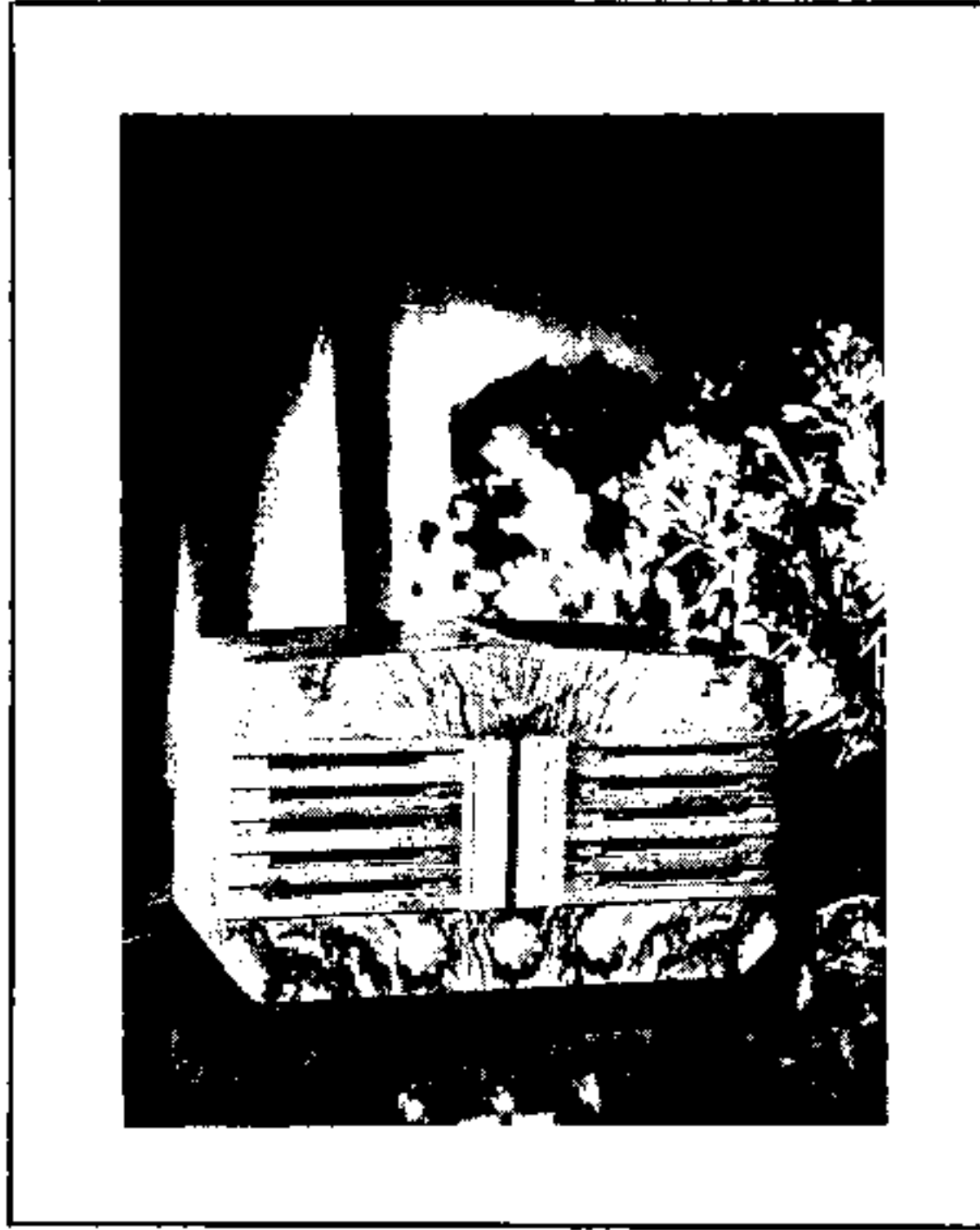
* * *

Bij het beproeven van het toestel komt men onmiddellijk onder de indruk van de kwaliteit en de kracht van de klank, die dit kleine toestel kan geven. De dubbele afstemschaal in kleuren, die per golfband afzonderlijk verlicht wordt, alsmede de afwerking en de lijn van het houten meubel, zijn zeer aantrekkelijk.

Het is werkelijk een klein toestel met een groot rendement!

Het schema is op volledig klassieke wijze opgesteld. De buizen staan in serie rechtstreeks op het net geschakeld, waarvan één pool aan het chassis verbonden is, met toevoeging van een belastingsweerstand R 13, die in het netsnoer verwerkt is. De lengte van dit snoer mag dus niet gewijzigd worden, en de warmte die het ontwikkelt is niet verontrustend.

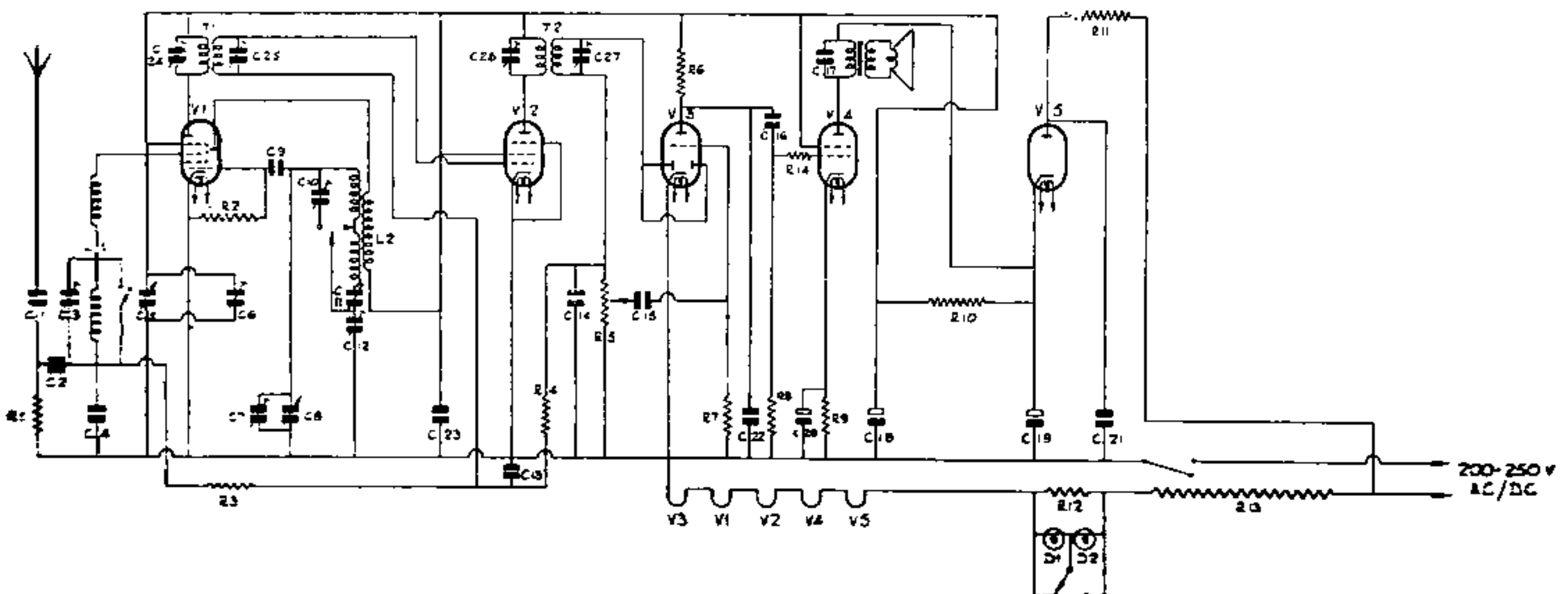
De kadranlampjes zijn beschermd door de weerstand R 12.



Afmetingen: 310 x 200 x 150.
 Meubel in hoog glanzend notelaar.

De ingangskring bestaat uit één spoel, waarvan een gedeelte kortgesloten is voor de ontvangst op MG-band. De antenne bevat een primaire belastingskring R1 - C2. Het toestel is tegen de buitenwereld beschermd door C1. De tweevakkige afstemkondensator draagt de trimmers C 6 en C 7, die gedurende de afregeling van het toestel op MG moeten ingesteld worden, en waarvan de stand nadien niet meer mag gewijzigd worden. De kathoden van de buizen V 1, V 2 en V 3 zijn aan het chassis verbonden.

Principe-Schema van Pilot “Little Maestro de Luxe”



De schermroosterspanning van V 1 en V 2 is gelijk aan de totale hoogspanning na filtrering, en is ook gelijk aan de spanning van de twee anoden van V 1 en de anode van V 2.

De AVC spanning, die ontstaat op R 5, wordt gevoerd naar de 2 buizen V 1 en V 2.

De anode van V 3 is ontkoppeld door C 22.

In de stuurrooster van V 4 staat een dempingsweerstand R 14. De luidsprekertransformator draagt een capaciteit C 17, die de vaste toonregeling vormt in het toestel.

De anodespanning van de V 4 is de volle hoogspanning vóór filtrering.

Bovenstaande beschrijving betreft de «LITTLE MAESTRO» 200-250 V AC/DC.

Het toestel voor 110/130 V AC/DC, is identiek aan het voorgaande op de volgende wijzigingen na.

R 9 — wordt PLE 54.9 - 220 ohm - 1/4 watt ± 10 %

R 10 — wordt vervangen door L 3 - PA 123.16 - 4 H/25 MA.

R 11 — wordt PLE 4.9 - 33 ohm - 1/4 watt ± 20 %.

R 12 — wordt PLE 53.1 - 180 ohm - 2 watt ± 10 %, die tevens verplaatst wordt naar de terugleiding van het net.

D 1 & D 2 — worden PL 3545 - 6,5 V/0,3 A.

C 18 & C 19 — worden P. 133.8 - 2 x 32 µF - 250 V.

De weerstand in het netsnoer is vervangen door 2 weerstanden van 47 ohm (PLE 5/2) 1 W in serie verbonden.

Hieronder de tabel met de voorschriften voor de afregeling van het toestel, dat voor elke golfband op 2 punten geijkt wordt.

Eveneens de tekening van de kabelaandrijving, die moet begonnen worden met de afstemkondensator gans open gedraaid.

Hieronder tenslotte het bovenzicht van het chassis, met aanduiding van de verschillende elementen die bij de afregeling van het toestel van pas komen.

Kodenummers en waarden van de gebruikte onderdelen

WEERSTANDEN

| | | | | |
|-----------|---|------------|-------------------------|--------------|
| R 1 | PLE. 16.9 | 3.3 K. ohm | 1/4 watt | ±20% |
| R 2 | PLE. 22.9 | 33 K. ohm | > | > |
| R 3. R 14 | PLE. 25.9 | 100 K. ohm | > | > |
| R 4 | PLE. 31.9 | 1 megohm | > | > |
| R 5 | of } PB. 145.901.65 PC. 145.S/422/65 | 1/2 megohm | potentiometer | m/schakelaar |
| R 6 | PLE. 91.9 | 270 K. ohm | 1/4 watt | ±10% |
| R 7 | PLE. 37.9 | 10 megohm | > | ±20% |
| R 8 | PLE. 30.9 | 680 K. ohm | > | > |
| R 9 | PLE. 11.2 | 470 ohm | 1 watt | > |
| R 10 | PLE. 17.1 | 4700 > | 2 > | > |
| R 11 | PLE. 11.1 | 470 > | 2 > | > |
| R 12 | PLE. 7.8 U | 100 > | 1/2 > | > |
| R 13 | PB. 157.7 | 860 ohm | weerstand in het snoer. | |

TRANSFORMATOREN EN SPOELEN

| | | |
|-----|--------------|--------------------------|
| T 1 | PC. 301.186D | 1e MF transformator |
| T 2 | PC. 301.19.B | 2e MF transformator |
| L 1 | PB. 124.47 | MG en LG antennespoel |
| L 2 | PB. 124.49 | MG en LG oscillatorspoel |

BUIZEN

| | | |
|----------|----------|---|
| V 1 | P. 116.4 | 12 K 8 GT |
| V 2 | P. 116.5 | 12 K 7 GT |
| V 3 | P. 116.6 | 12 Q 7 GT |
| V 4 | P. 116.7 | 35 L 6 GT |
| V 5 | P. 116.8 | 35 Z 4 GT |
| D 1. D 2 | P. 116.9 | schaalverlichtingslampje 3,5 V - 0,15 amp. |

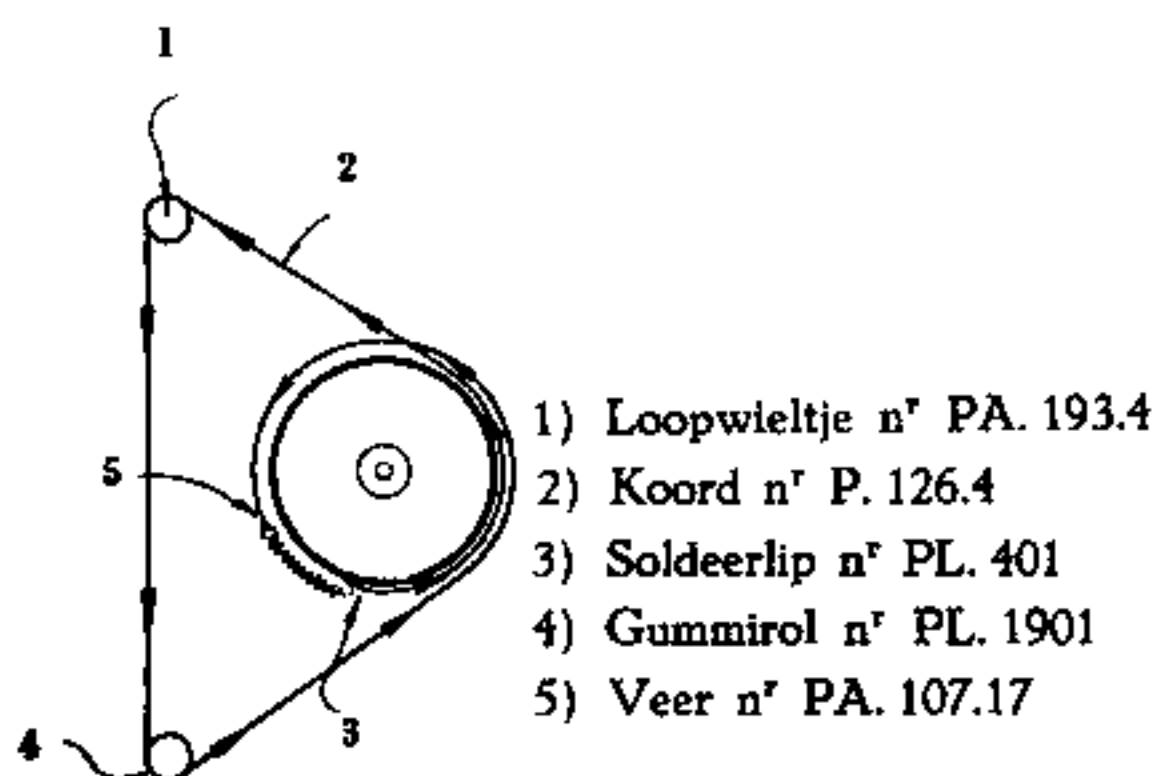
KONDENSATOREN

| | | |
|---------------|-----------------|---------------------------------|
| C 1 | P. 132.2 | 0,001 µF micakondensator |
| C 2 | PL. 2435 | 0,02 µF papierkondensator |
| C 3 | PL. 3250.F | 30/100 pF LG trimmer |
| C 4. C 15 | PL. 2424 | 0,002 µF papierkondensator |
| C 5. C 8 | PB. 135.6 | 482 pF afstemkondensator |
| C 6. C 7 | | 30 pF trimmer op C.V. |
| C 9. C 14 | PL. 2304 | 60 pF micakondensator |
| C 10 | PL. 3250.F | 30/100 pF LG trimmer (oscill.) |
| C 11 | of } PL. 3252.K | 300 pF LG padder |
| C 12 | of } PB.134.9.E | 300 pF MG padder |
| C 13. C 23 | PL. 2434.C | 0,1 µF papierkondensator |
| C 22 | PL. 2322 | 100 pF micakondensator |
| C 21 | PL. 2405 | 0,05 µF papierkondensator 500 V |
| C 18. C 19 | P. 133.6 | 16+16 µF elektrol. kond. 350 V |
| C 17. C 16 | PL. 2437 | 0,01 µF papierkondensator 400 V |
| C 24.25.26.27 | PL. 3220 | 120 pF variabel |
| C 28 | P. 133/18 | 50 µF elektrolyt. kondens. 12 V |

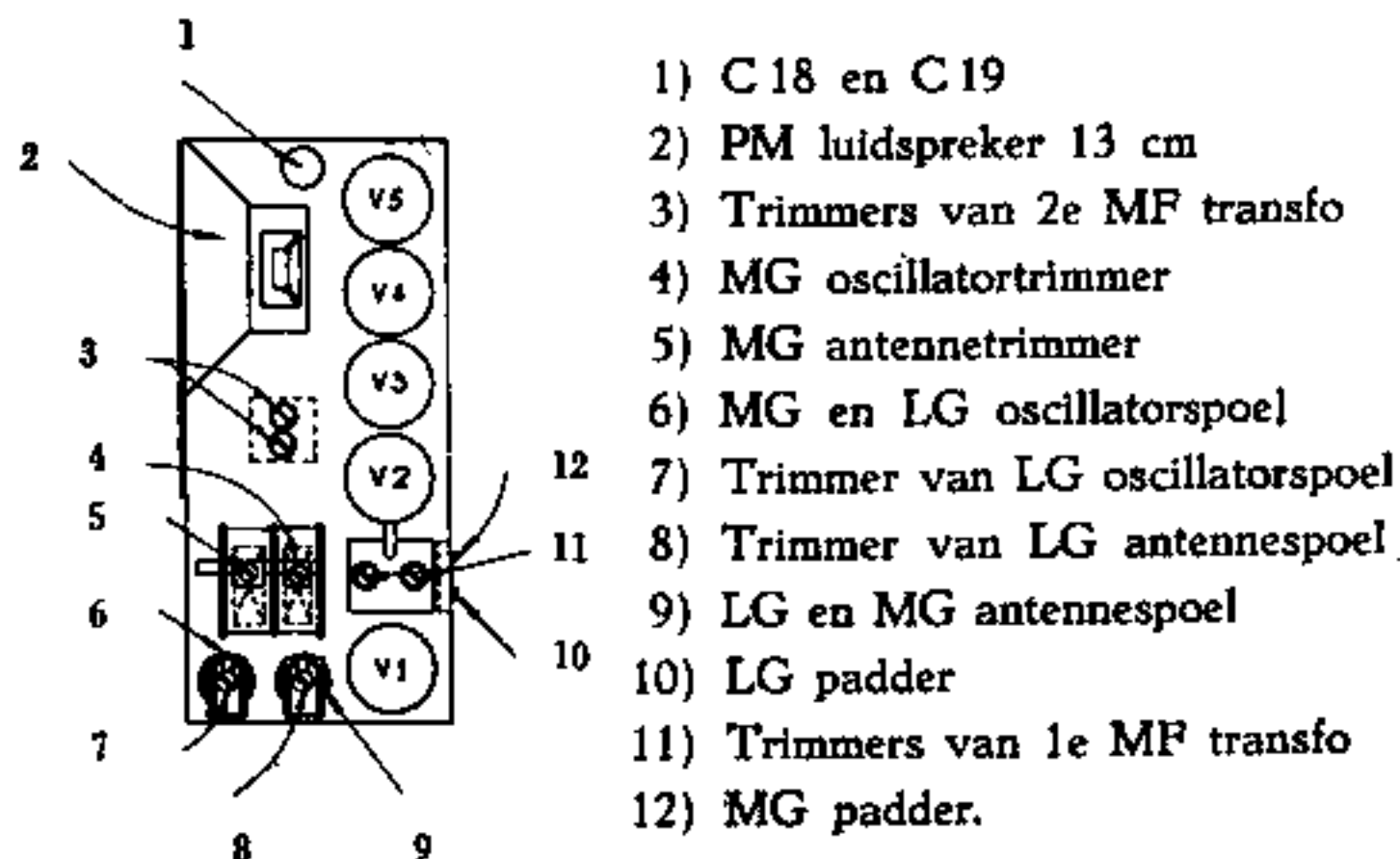
AFREGELING

| | | |
|----|---------|-------------------------------|
| MF | 451 Kc | Regel C 24, C 25, C 26, C 27. |
| MG | 1500 Kc | > C 7 en C 6 |
| | 600 Kc | > C 12 |
| LG | 300 Kc | > C 10 en C 3 |
| | 150 Kc | > C 11 |

Afstemkondensator volledig open



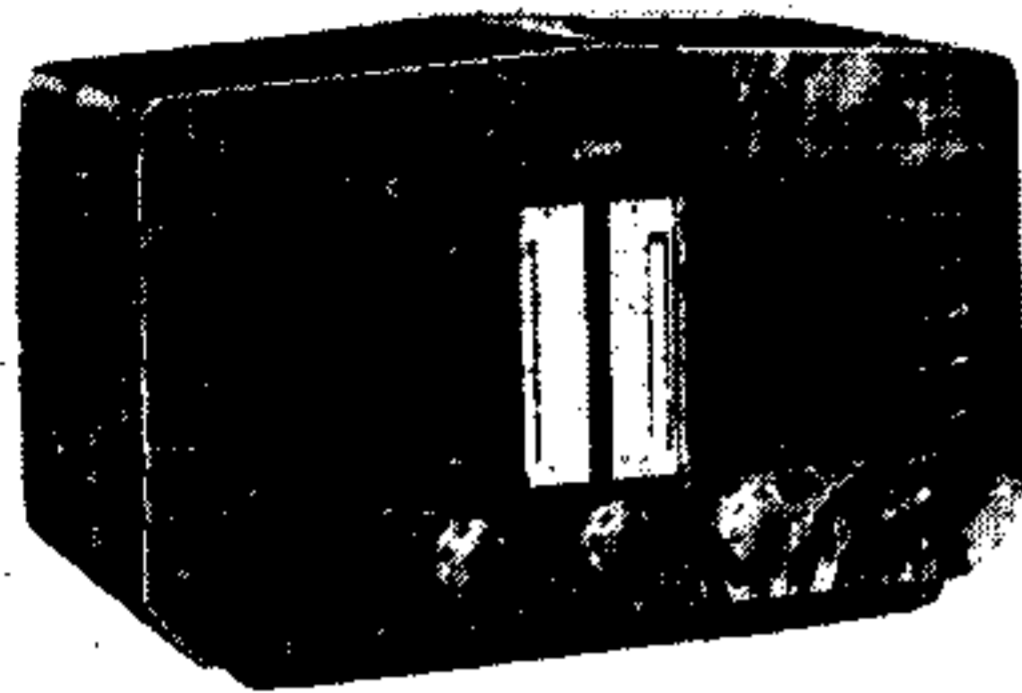
Bovenzicht van het chassis



"TRADER" SERVICE SHEET
871

PILOT LITTLE MAESTRO DE LUXE

A.C./D.C. 2-BAND SUPERHET



THE Pilot "Little Maestro" de Luxe is a 4-valve (plus rectifier) 2-band superhet designed to operate from A.C. or D.C. mains of 200-200 V, 40-100 c/s in the case of A.C.
Release date and original price: September, 1947: £13 13s plus purchase tax.

CIRCUIT DESCRIPTION

Input from attached aerial is "bottom" coupled, via the capacitive potential divider C2, C3, to single-tuned circuits L1, C17 (M.W.) and L1, L2, C17 (L.W.) which precede a triode hexode valve (V1, Brimar 12K8GT) operating as frequency changer with electron coupling.

Triode oscillator grid coils L3 (M.W.) and L3, L4 (L.W.) are tuned by C18, with parallel trimming by C19 (M.W.), and C20 (L.W.), and series tracking by C21 (M.W.) and C22 (L.W.). Reaction coupling from anode is provided by L5 on both bands.

Second valve (V2, Brimar 12K7GT) is a variable-mu R.F. pentode operating as intermediate frequency amplifier with tuned transformer couplings C23, L6, L7, C24 and C25, L8, L9, C26.
Intermediate frequency 451 kc/s.

Diode second detector is part of double diode triode valve (V3, Brimar 12Q7GT), in which the diode sections are wired in parallel. Audio frequency component in rectified output is developed across the manual volume control R5, which is also the diode load resistor, and passed via A.F. coupling capacitor C8 and C.G. resistor R6 to grid of triode section, which operates as A.F. amplifier. I.F. filtering by C7 in diode circuit and C9 in triode anode circuit.

The D.C. potential developed across R5 is tapped off and fed back, via decoupling circuits R4, C6 and R2, C3, as G.B. to F.C. and I.F. valves, giving automatic volume control.

Resistance-capacitance coupling by R7, C10 and R8, via grid stopper R9, between V3 triode and beam tetrode output valve (V4, Brimar 35L6GT). Fixed tone correction in anode circuit by C12.

When the receiver is operated from A.C. mains, H.T. current is supplied by I.H.C. half-wave rectifying valve (V5, Brimar 35Z4GT) which, with D.C. mains, behaves as a low resistance. Smoothing by resistor R11 and electrolytic capacitors C13, C14, but the H.T. supply for V4 anode is obtained direct from the rectifier cathode.

Valve heaters, together with scale lamps (shunted by R13) and line cord ballast resistor R14, are connected in series across mains input. H.T. R.F. filtering by C5, mains R.F. filtering by C11, and aerial isolation by C1.

DISMANTLING THE SET

Removing Chassis.—Remove the three control knobs (pull off); from the underside of the cabinet remove the three long cheese-head screws (with metal washers), securing the chassis to the base of the cabinet, and slide out the chassis and speaker as a single unit.

VALVE ANALYSIS

Valve voltages and currents given in the table below are those measured in our receiver when it was operating on A.C. mains of 228V. The receiver was tuned to the lowest wavelength on the M.W. band, and the volume control was at maximum, but there was no signal input. Voltages were measured on the 400V scale of a model 7 Avometer, chassis being the negative connection.

| Valve | Anode Voltage (V) | Anode Current (mA) | Screen Voltage (V) | Screen Current (mA) |
|-----------|-------------------|--------------------|--------------------|---------------------|
| V1 12K8GT | 88 | 1.85 | 88 | 4.5 |
| | Oscillator | 4.1 | | |
| V2 12K7GT | 88 | 8.0 | 88 | 2.2 |
| V3 12Q7GT | 30 | 0.18 | — | — |
| V4 35L6GT | 190 | 17.0 | 88 | 0.3 |
| V5 35Z4GT | † | — | — | — |

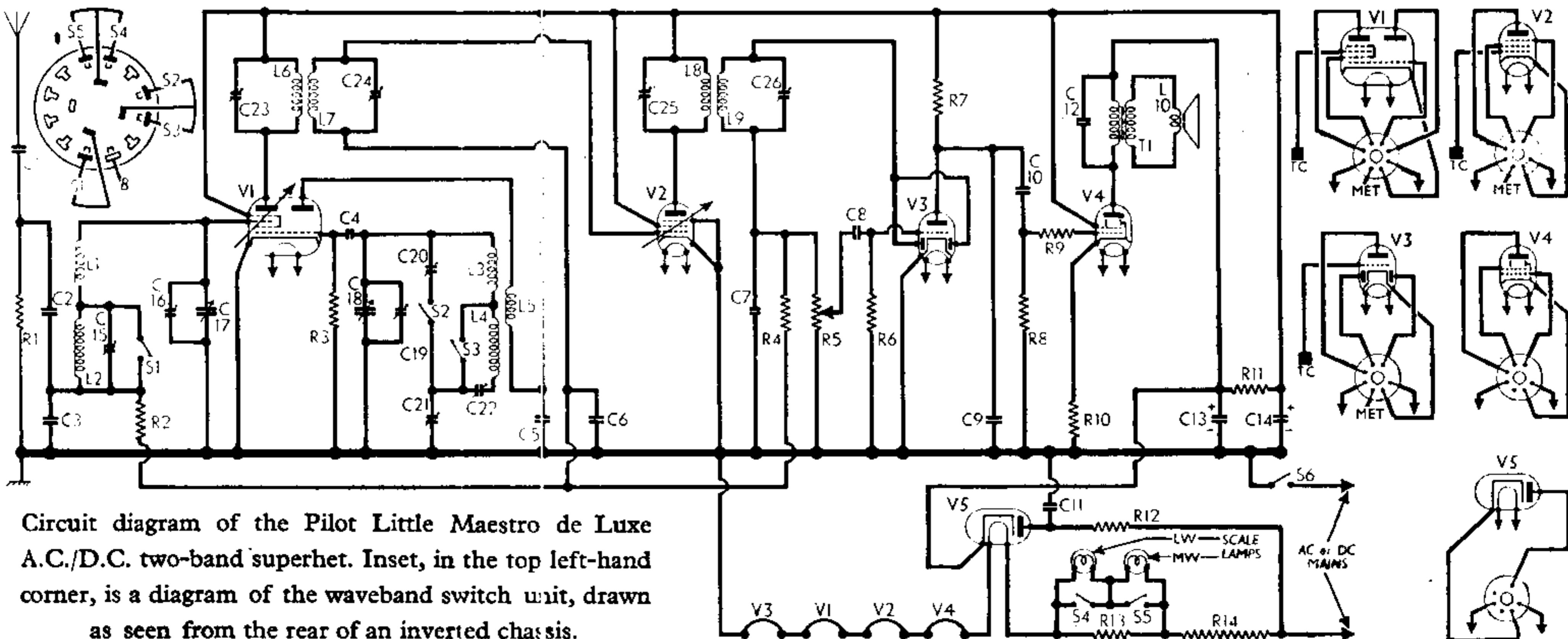
† Cathode to chassis, 190V D.C.

COMPONENTS AND VALUES

If the component numbers given below are used when ordering replacements, dealers should mention the fact, as they may differ from those in the manufacturer's diagram.

| RESISTORS | Values (ohms) | Locations |
|-----------|-----------------------------|---------------|
| R1 | Aerial shunt ... | 3,300 I3 |
| R2 | V1 hex. C.G. decoupling ... | 100,000 H3 |
| R3 | V1 osc. C.G. ... | 33,000 J4 |
| R4 | A.V.C. decoupling ... | 1,000,000 H3 |
| R5 | Volume control ... | 250,000 F3 |
| R6 | V3 C.G. resistor ... | 10,000,000 H4 |
| R7 | V3 triode load ... | 270,000 G4 |
| R8 | V4 C.G. resistor ... | 680,000 F4 |
| R9 | V4 C.G. stopper ... | 100,000 F4 |
| R10 | V4 G.B. resistor ... | 470 F3 |
| R11 | H.T. smoothing ... | 4,700 E4 |
| R12 | V5 surge limiter ... | 470 E4 |
| R13 | Scale lamp shunt ... | 100 E4 |
| R14 | Heater ballast† ... | 860 E4 |

† Line cord.



Circuit diagram of the Pilot Little Maestro de Luxe A.C./D.C. two-band superhet. Inset, in the top left-hand corner, is a diagram of the waveband switch unit, drawn as seen from the rear of an inverted chassis.

| CAPACITORS | Value- (μ F) | Loca- tions |
|------------|----------------------|----------------|
| C1 | 0.001 | B3 |
| C2 | 0.02 | B3 |
| C3 | 0.002 | H3 |
| C4 | 0.00006 | J4 |
| C5 | 0.1 | J4 |
| C6 | 0.1 | H4 |
| C7 | 0.00006 | G3 |
| C8 | 0.01 | G4 |
| C9 | 0.0001 | G4 |
| C10 | 0.01 | F1 |
| C11 | 0.05 | E3 |
| C12 | 0.005 | D2 |
| C13* | 16.0 | D1 |
| C14* | 16.0 | D1 |
| C15† | 0.0001 | A2 |
| C16† | 0.00003 | B2 |
| C17† | 0.000483 | B2 |
| C18† | 0.000483 | B1 |
| C19† | 0.00003 | B1 |
| C20† | 0.0001 | A1 |
| C21† | 0.0003 | J4 |
| C22† | 0.0004 | I4 |
| C23† | 0.00012 | B2 |
| C24† | 0.00012 | B2 |
| C25† | 0.00012 | H4 |
| C26† | 0.00012 | G4 |

* Electrolytic. † Variable. ‡ Pre-set.

| OTHER COMPONENTS | Approx. Values (ohms) | Loca- tions |
|------------------|-----------------------------|----------------|
| L1 | 2.8 | A2 |
| L2 | 12.0 | A2 |
| L3 | 3.7 | A1 |
| L4 | 7.0 | A1 |
| L5 | 3.3 | A1 |
| L6 | 10.0 | B2 |
| L7 | 10.0 | B3 |
| L8 | 36.0 | H3 |
| L9 | 36.0 | G3 |
| L10 | 2.7 | D1 |
| T1 | 510.0 | D1 |
| S1-S5 | 0.5 | F1 |
| S6 | — | F1 |

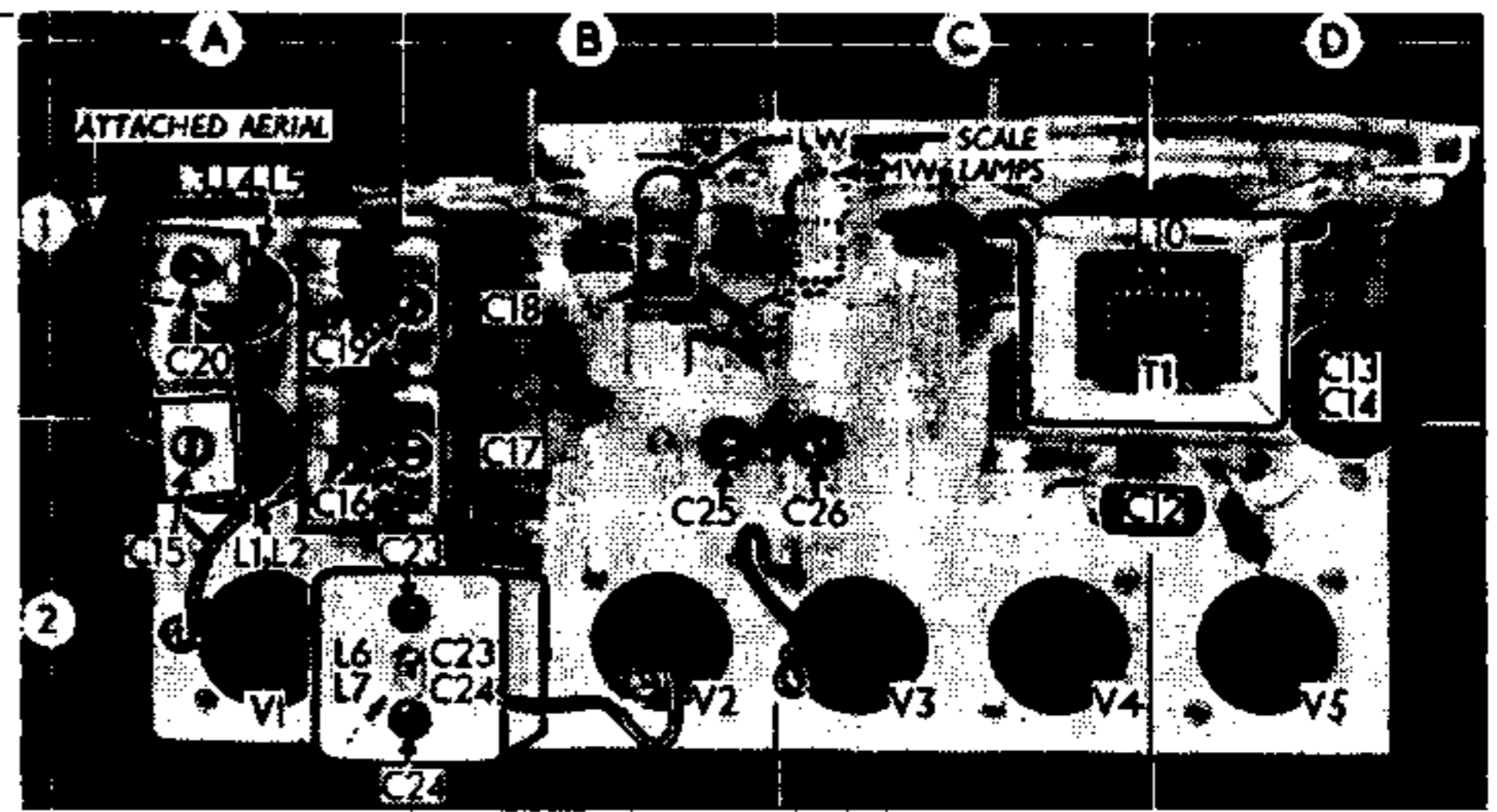
GENERAL NOTES

Switches.—S1-S3 are the waveband switches, and S4, S5 are the scale lamp switches, gauged in a single rotary unit beneath the chassis. The unit is indicated in our under-chassis view, and shown in detail in the diagram inset in the top left-hand corner of the circuit diagram overleaf. S1, S3 and S4 close on M.W. (control knob anticlockwise); S2 and S5 close on L.W.

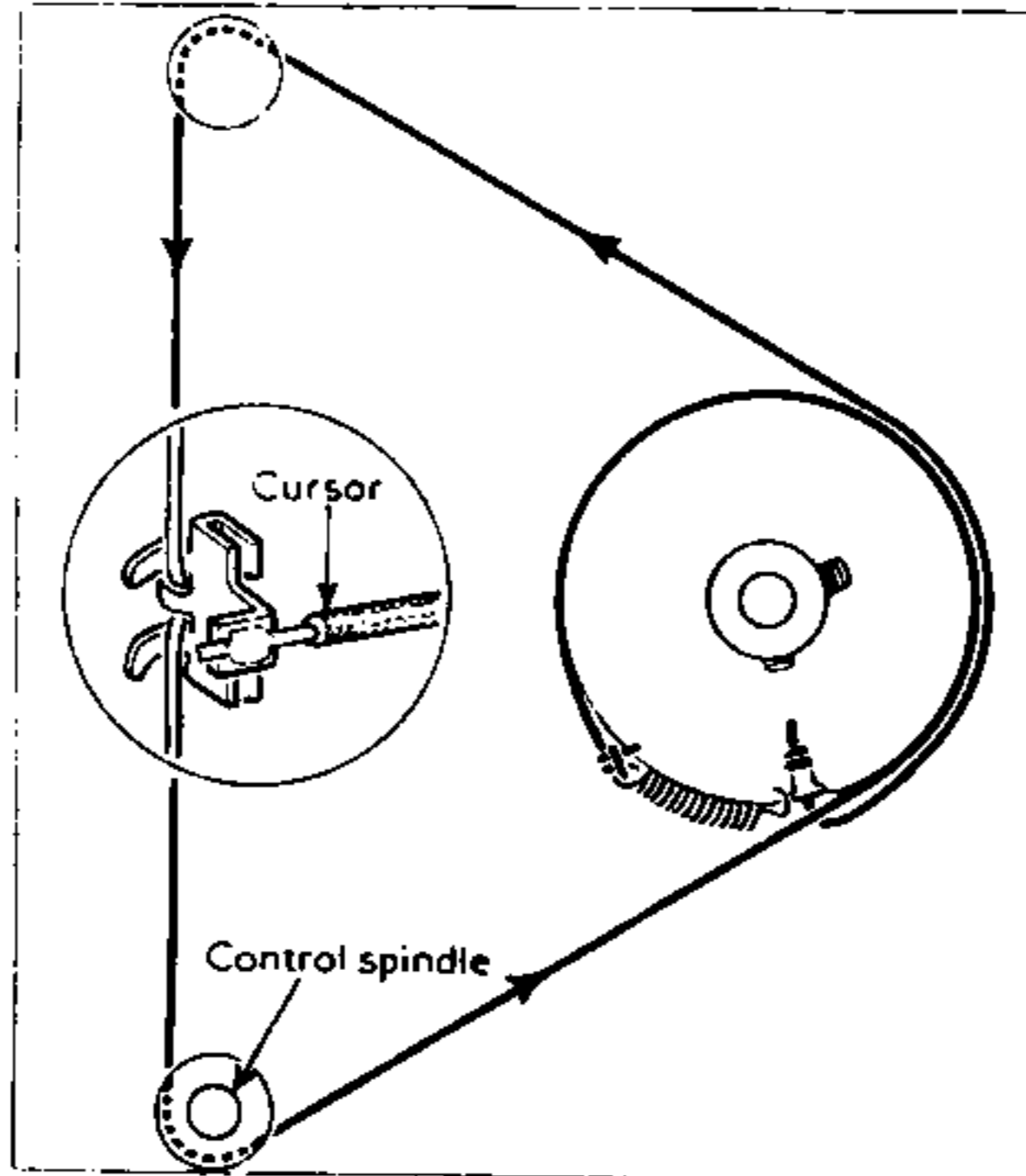
Scale Indicator Lamps.—These are two Osram lamps, rated at 3.5 V, 0.15 A, shunted by R13.

Capacitors C13, C14.—These are two dry electrolytics, in a tubular metal container which forms the common negative connection, mounted on the chassis deck, rated at 16 μ F, 350 V.

Plan view of the chassis. All the pre-set trimmer capacitors involved in circuit alignment (with the exception of trackers C21, C22, which are mounted on the rear chassis member), are indicated. L10 is the speaker speech coil.



Resistors R11, R12, R13.—R11 and R12 are both normal carbon types, rated at 2 W each. R13 is a special resistor, unpainted and unwaxed, rated at 1/2 W. The maker's part number for it is PLE7.8U.



Sketch showing the drive cord arrangement, seen from the front of the chassis.

Drive Cord Replacement.—Take 2ft of Nylon braided glass cored cord, tie a knot in one end, and thread the free end through the eyelet and the hole in the drum groove. Then, with the gang at minimum, follow the course shown in the sketch in col. 2, looping it through the fingers of the cord grip on the cursor carrier as shown inset. The cord does not make a

whole turn round the rubber drive wheel on the control spindle.

Finally, tie on the tension spring so that it opens when hooked to the anchor hole, but before hooking it up, turn gang to maximum and slide pointer along the slack cord until it registers with the two cursor setting marks on the backing plate (see "Circuit Alignment"). It is unnecessary to clamp up the cord grip.

CIRCUIT ALIGNMENT

I.F. Stages.—Switch set to M.W., turn gang and volume control to maximum, and connect signal generator, via an 0.1 μ F isolating capacitor in each lead, to control grid (top cap) of V1 and chassis. Feed in a 451 kc/s (665.1 m) signal, and adjust C23, C24, C25 and C26 (location references B2, (2) for maximum output.

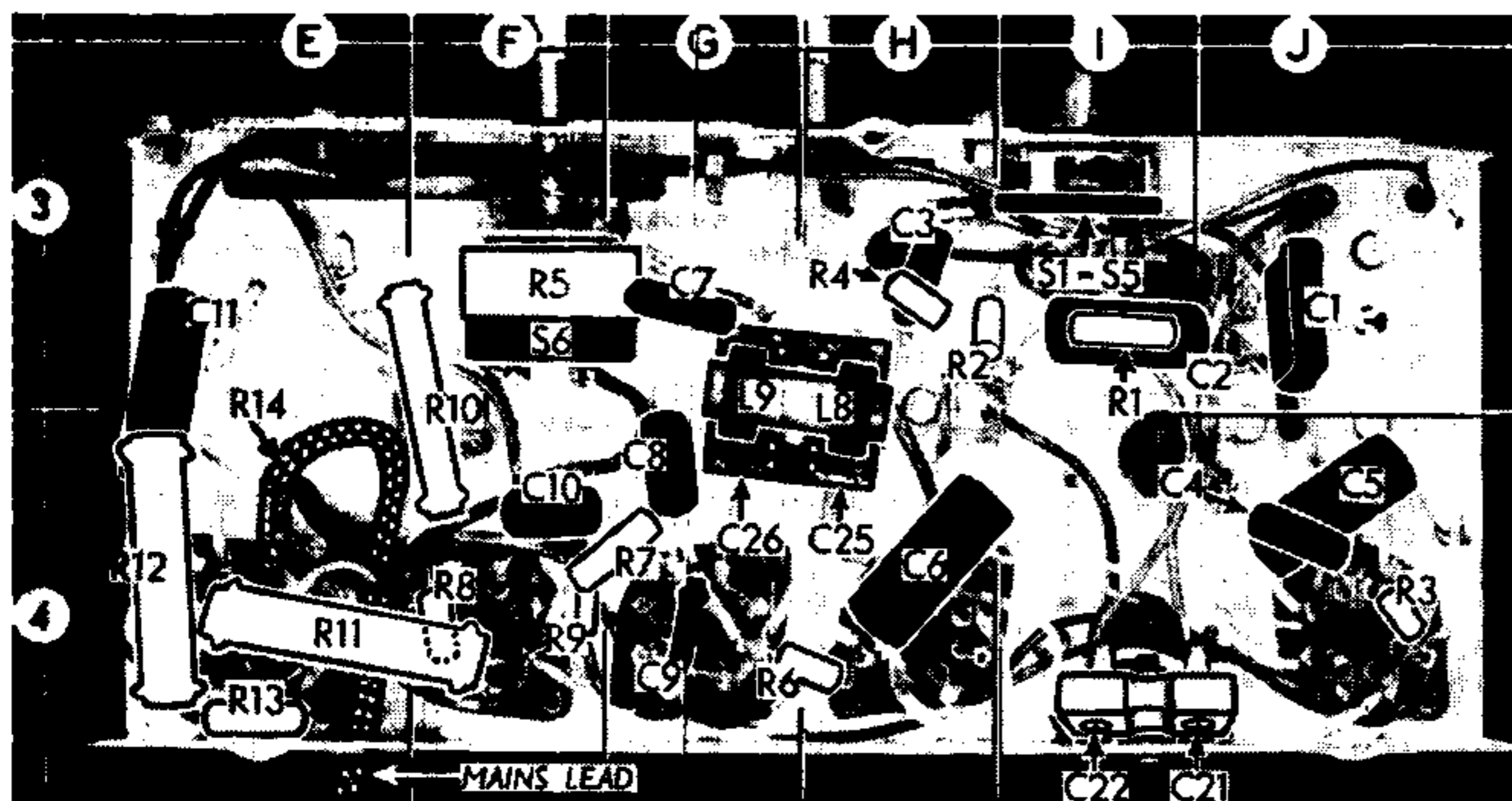
R.F. and Oscillator Stages.—Since the calibrated glass scales are mounted in the cabinet and these adjustments must be carried out with the chassis on the bench, calibration lines are impressed on the scale backing plate. Reading from top to bottom on the left-hand side of the backing plate, the four horizontal lines correspond to: 1, the cursor setting line; 2, 500 m (M.W.); 3, 214.3 m (M.W.); 4, 200 m (M.W.). Similarly, on the right-hand side of the backing plate, the horizontal lines correspond to: 1, the cursor setting line; 2, 2,000 m (L.W.); 3, 1,500 m (L.W.); 4, 1,000 m (L.W.).

With the gang at maximum capacitance the cursor should coincide with the two setting marks, and it may be adjusted in position by rotating the drive drum on the gang spindle after slackening its two grub screws.

Transfer "live" signal generator lead to attached aerial connecting tag on L1, L2 (A2), via the isolating capacitor and a suitable dummy aerial.

M.W.—With set switched to M.W., tune to the 200 m calibration line, feed in a 200 m (1,500 kc/s) signal, and adjust C19 (B1) for maximum output. Tune to the 500 m calibration line, feed in a 500 m (600 kc/s) signal, and adjust C21 (J4) for maximum output. Tune to the 214.3 m calibration line, feed in a 214.3 m (1,400 kc/s) signal, and adjust C16 (B2) for maximum output. Repeat these adjustments until no improvement results.

L.W.—Switch set to L.W., tune to the 1,000 m calibration line, feed in a 1,000 m (300 kc/s) signal, and adjust C20 (A1) and C15 (A2) for maximum output. Tune to the 2,000 m calibration line, feed in a 2,000 m (150 kc/s) signal, and adjust C22 (I4) for maximum output. Repeat these adjustments until no improvement results.



Under-chassis view. The waveband switch unit S1-S5 indicated here is shown in detail in the diagram inset in the top left-hand corner of the circuit diagram overleaf.