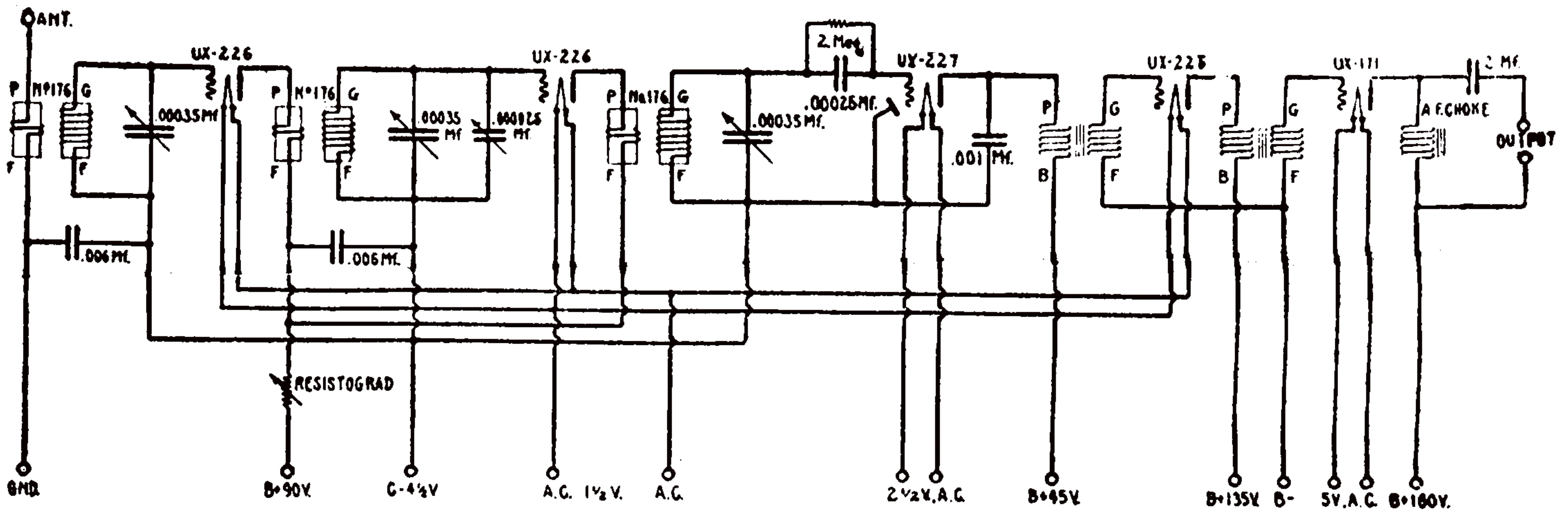


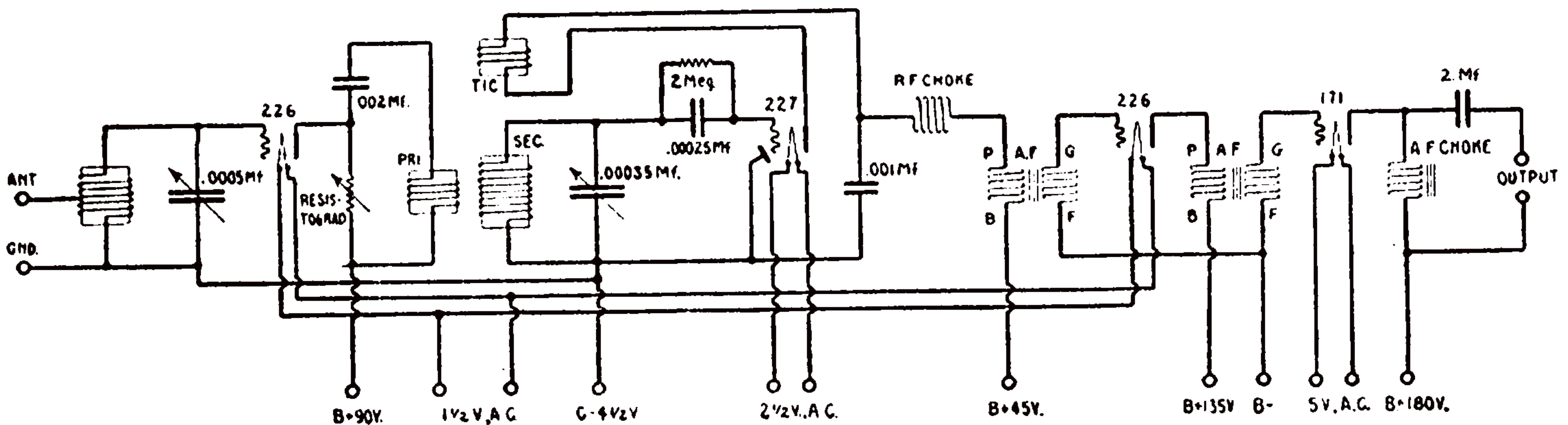
Loop-operated shield grid receiver for DX

The Air Scout tuned R.F. set is one of the most successful all-electric receivers. It is run from the PILOT No. 5 B-power pack and No. 4 A and C pack. A No. 1280 dial controls the first variable condenser, with the second and third on another 1280



Air Scout all-electric tuned R.F. receiver

dial. It is also possible to mount the first condenser on one side of a 1281, with the other two on the other side of the dial. Note that the two sides of the 1281 are insulated from each other, making it adaptable to circuits where all rotors are not common. A different way to control oscillations in the Air Scout is to omit the Resistograd, and put a 400-ohm rheostat across the primary of the first R.F. transformer.



Air Hound all-electric set, with one R.F. and regenerative detector.

Either two 1280 dials or one 1281 can be used for the Air Hound circuit. This is operated from PILOT No. 4 and 5 power packs. An R.F. Super-Charger control on the first tube makes this a splendid DX set.