

PILOT 35

Four-valve, plus rectifier, three-band superhet in table, console and radiogram forms. Suitable for 200-250 v., 50 cycles.

Circuit.—Transformer coils feed V1, the frequency-changer. Both oscillator and I.F. coils are generally conventional, I.F.1 having an iron core. After V2, the amplifier, comes V3, a double-diode triode connected in the usual way and resistance-capacity feeding V4, the output valve. V5 is a conventional full-wave rectifier.

Wavebands: 16.5-52, 190-580, 950-2,100 metres.

Provision is made for a P.U. and for a 4-ohm extension speaker.

VALVE VOLTAGES

Type	Anode	Screen	Cathode
1	6K8	223	105
2	KTW61	85(osc)	105
3	6Q7	65	40
4	6F6	240	280
5	5Z4	—	340

RESISTANCES

R	Ohms.	R.	Ohms.
1	47,000	11	100
2	47,000	12	9.5 meg.
3	15,000	14	270,000
4	15,000	15	1 meg.
5	15,000	16	27
6	47,000	17	47,000
7	270,000	18	470
8	1,000	19	10,000
9	15,000	20	1 meg.
10	10,000	21	1 meg.
		22	Field

INDUCTANCES

C	Mfda.
1	.0001
5	.0043
7	.00015
9	200-700 mmfd.
11	.000005
12	.00015
13	.00015
14	.00015
15	.01
16	.01
17	.25

C	Mfda.
18, 20, 21	8+10+8
19	.002
22	.05
26	.05
27	.25
28	.05
29	.0004
30	.0004
31	.00006
32	.00003

COMPONENTS

C	Mfda.
18, 20, 21	8+10+8
19	.002
22	.05
26	.05
27	.25
28	.05
29	.0004
30	.0004
31	.00006
32	.00003

VALVE VOLTAGES

Type	Anode	Screen	Cathode
1	6K8	223	105
2	KTW61	85(osc)	105
3	6Q7	65	40
4	6F6	240	280
5	5Z4	—	340

RESISTANCES

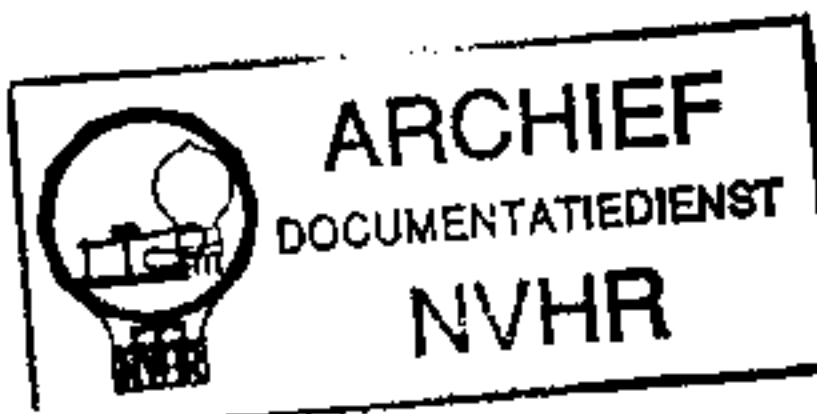
R	Ohms.	R.	Ohms.
1	47,000	11	100
2	47,000	12	9.5 meg.
3	15,000	14	270,000
4	15,000	15	1 meg.
5	15,000	16	27
6	47,000	17	47,000
7	270,000	18	470
8	1,000	19	10,000
9	15,000	20	1 meg.
10	10,000	21	1 meg.
		22	Field

INDUCTANCES

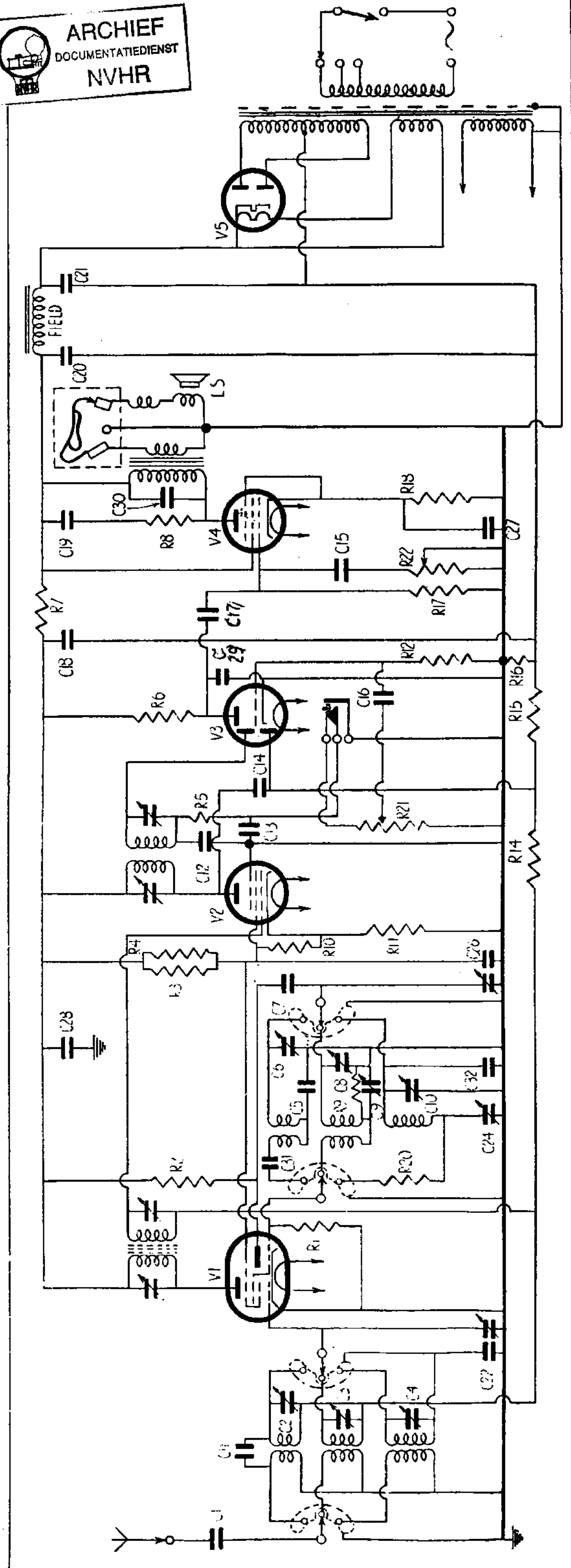
C	Mfda.
1	.0001
5	.0043
7	.00015
9	200-700 mmfd.
11	.000005
12	.00015
13	.00015
14	.00015
15	.01
16	.01
17	.25

COMPONENTS

C	Mfda.
18, 20, 21	8+10+8
19	.002
22	.05
26	.05
27	.25
28	.05
29	.0004
30	.0004
31	.00006
32	.00003



Above, the top-of-chassis layout diagram showing trimmer positions and, below, the theoretical circuit arrangement, which includes four valves and rectifier.



Top-of-chassis layout diagram showing trimmer positions and theoretical circuit arrangement, which includes four valves and rectifier.