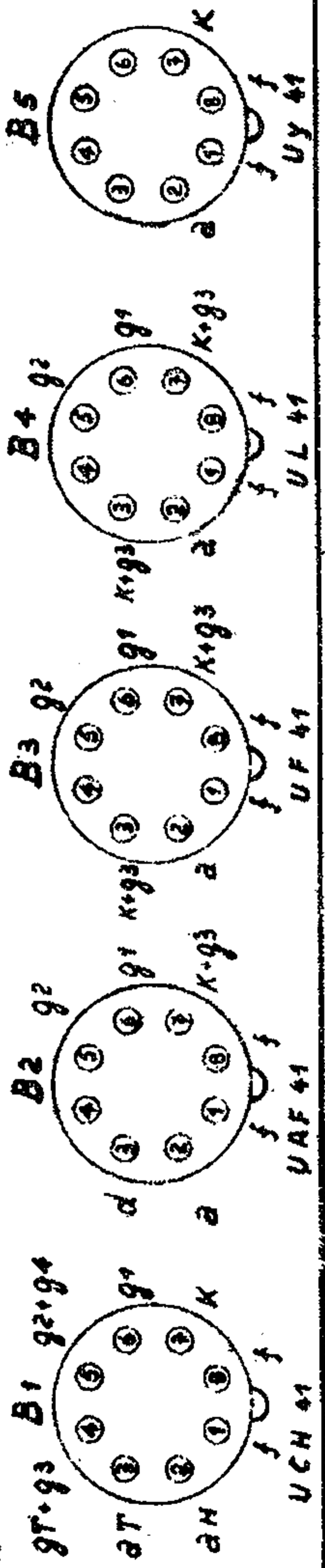
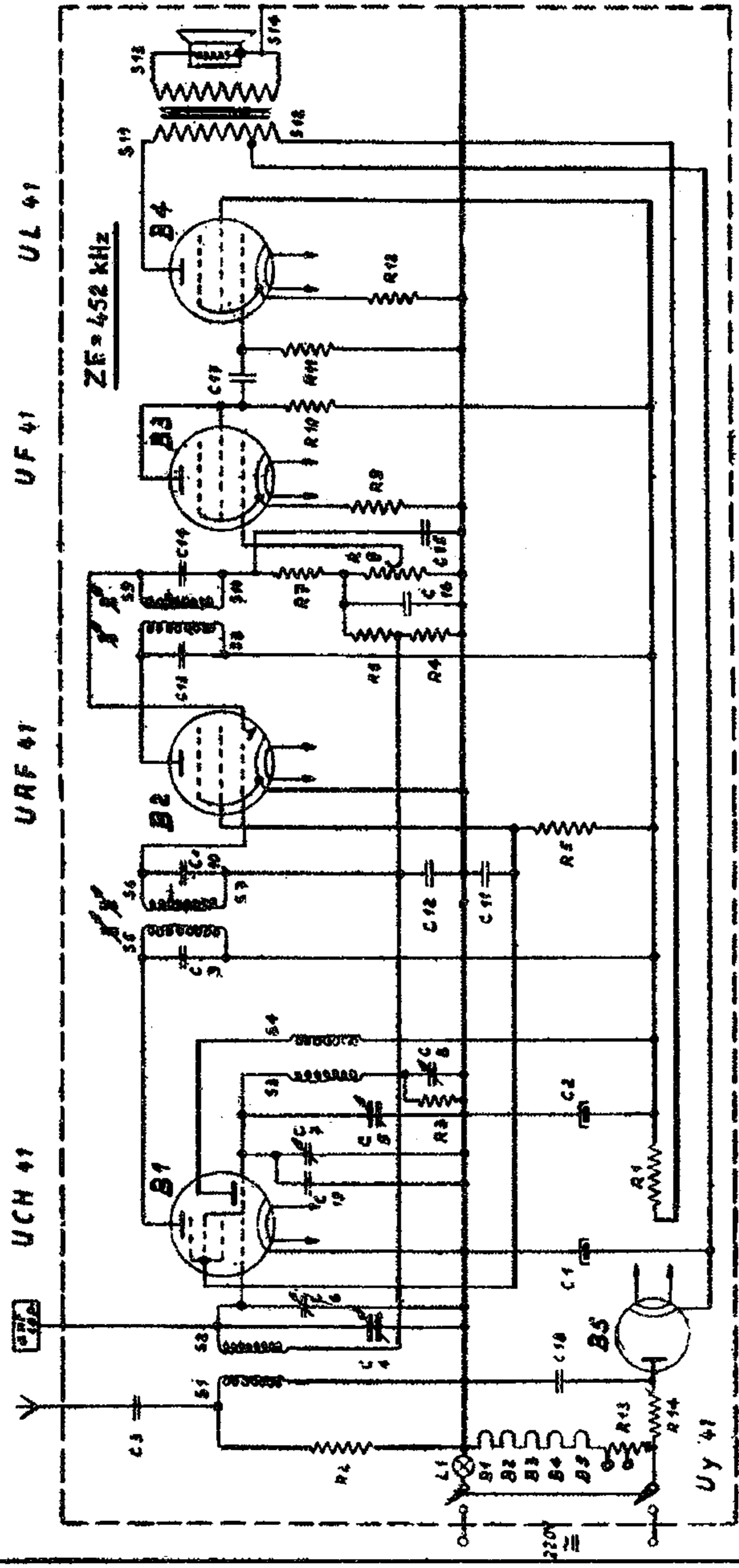


Schema BCH 170 U



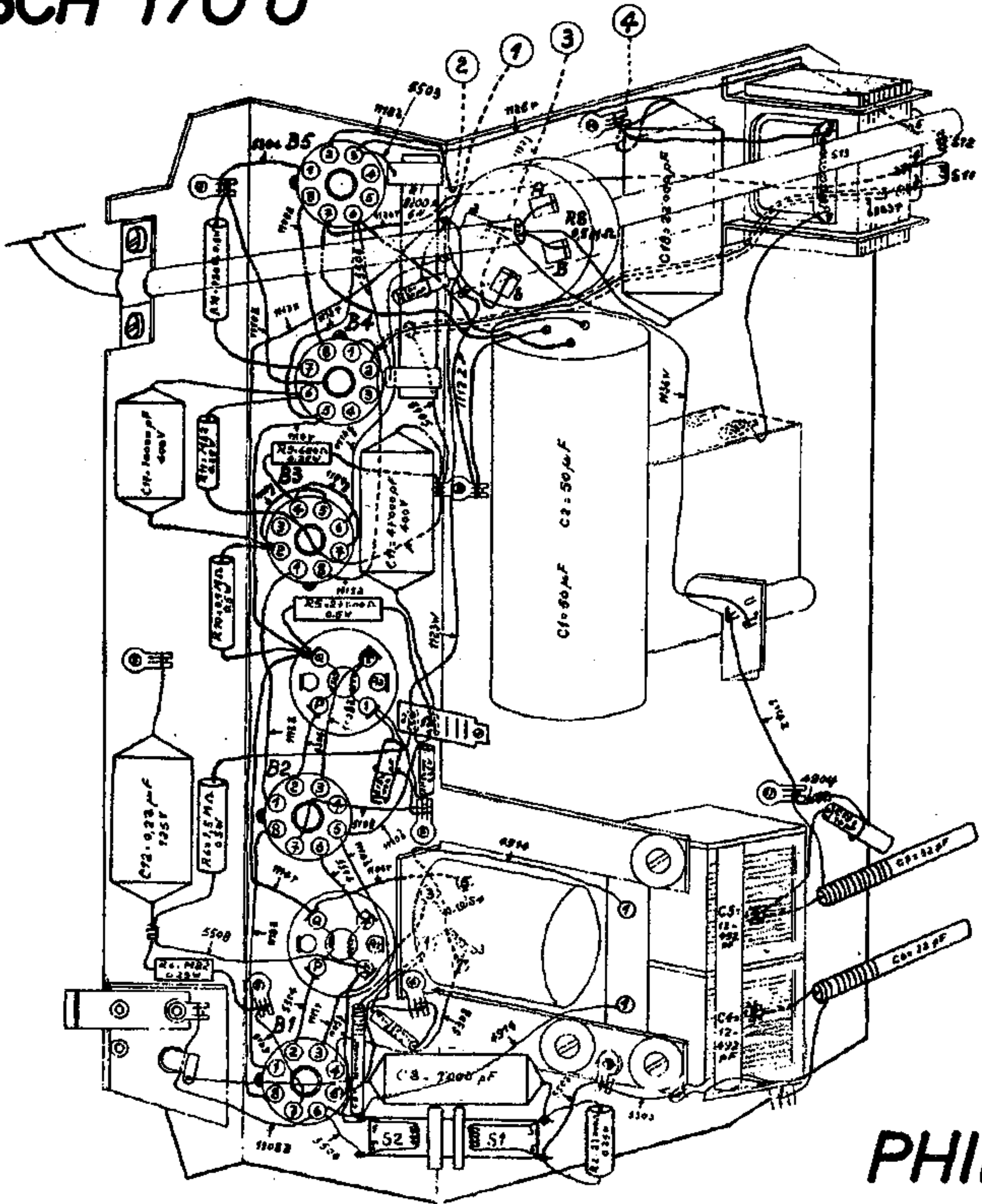
- S: 1, 2, 3, 4, 5, 6, 7, 8, 9, 10, 11, 12, 13, 14, 15, 16, 17, 18, 19, 20, 21, 22, 23, 24, 25, 26, 27, 28, 29, 30, 31, 32, 33, 34, 35, 36, 37, 38, 39, 40, 41, 42, 43, 44, 45, 46, 47, 48, 49, 50, 51, 52, 53, 54, 55, 56, 57, 58, 59, 60, 61, 62, 63, 64, 65, 66, 67, 68, 69, 70, 71, 72, 73, 74, 75, 76, 77, 78, 79, 80, 81, 82, 83, 84, 85, 86, 87, 88, 89, 90, 91, 92, 93, 94, 95, 96, 97, 98, 99, 100, 101, 102, 103, 104, 105, 106, 107, 108, 109, 110, 111, 112, 113, 114, 115, 116, 117, 118, 119, 120, 121, 122, 123, 124, 125, 126, 127, 128, 129, 130, 131, 132, 133, 134, 135, 136, 137, 138, 139, 140, 141, 142, 143, 144, 145, 146, 147, 148, 149, 150, 151, 152, 153, 154, 155, 156, 157, 158, 159, 160, 161, 162, 163, 164, 165, 166, 167, 168, 169, 170, 171, 172, 173, 174, 175, 176, 177, 178, 179, 180, 181, 182, 183, 184, 185, 186, 187, 188, 189, 190, 191, 192, 193, 194, 195, 196, 197, 198, 199, 200, 201, 202, 203, 204, 205, 206, 207, 208, 209, 210, 211, 212, 213, 214, 215, 216, 217, 218, 219, 220, 221, 222, 223, 224, 225, 226, 227, 228, 229, 230, 231, 232, 233, 234, 235, 236, 237, 238, 239, 240, 241, 242, 243, 244, 245, 246, 247, 248, 249, 250, 251, 252, 253, 254, 255, 256, 257, 258, 259, 260, 261, 262, 263, 264, 265, 266, 267, 268, 269, 270, 271, 272, 273, 274, 275, 276, 277, 278, 279, 280, 281, 282, 283, 284, 285, 286, 287, 288, 289, 290, 291, 292, 293, 294, 295, 296, 297, 298, 299, 300, 301, 302, 303, 304, 305, 306, 307, 308, 309, 310, 311, 312, 313, 314, 315, 316, 317, 318, 319, 320, 321, 322, 323, 324, 325, 326, 327, 328, 329, 330, 331, 332, 333, 334, 335, 336, 337, 338, 339, 340, 341, 342, 343, 344, 345, 346, 347, 348, 349, 350, 351, 352, 353, 354, 355, 356, 357, 358, 359, 360, 361, 362, 363, 364, 365, 366, 367, 368, 369, 370, 371, 372, 373, 374, 375, 376, 377, 378, 379, 380, 381, 382, 383, 384, 385, 386, 387, 388, 389, 390, 391, 392, 393, 394, 395, 396, 397, 398, 399, 400, 401, 402, 403, 404, 405, 406, 407, 408, 409, 410, 411, 412, 413, 414, 415, 416, 417, 418, 419, 420, 421, 422, 423, 424, 425, 426, 427, 428, 429, 430, 431, 432, 433, 434, 435, 436, 437, 438, 439, 440, 441, 442, 443, 444, 445, 446, 447, 448, 449, 450, 451, 452, 453, 454, 455, 456, 457, 458, 459, 460, 461, 462, 463, 464, 465, 466, 467, 468, 469, 470, 471, 472, 473, 474, 475, 476, 477, 478, 479, 480, 481, 482, 483, 484, 485, 486, 487, 488, 489, 490, 491, 492, 493, 494, 495, 496, 497, 498, 499, 500, 501, 502, 503, 504, 505, 506, 507, 508, 509, 510, 511, 512, 513, 514, 515, 516, 517, 518, 519, 520, 521, 522, 523, 524, 525, 526, 527, 528, 529, 530, 531, 532, 533, 534, 535, 536, 537, 538, 539, 540, 541, 542, 543, 544, 545, 546, 547, 548, 549, 550, 551, 552, 553, 554, 555, 556, 557, 558, 559, 560, 561, 562, 563, 564, 565, 566, 567, 568, 569, 570, 571, 572, 573, 574, 575, 576, 577, 578, 579, 580, 581, 582, 583, 584, 585, 586, 587, 588, 589, 590, 591, 592, 593, 594, 595, 596, 597, 598, 599, 600, 601, 602, 603, 604, 605, 606, 607, 608, 609, 610, 611, 612, 613, 614, 615, 616, 617, 618, 619, 620, 621, 622, 623, 624, 625, 626, 627, 628, 629, 630, 631, 632, 633, 634, 635, 636, 637, 638, 639, 640, 641, 642, 643, 644, 645, 646, 647, 648, 649, 650, 651, 652, 653, 654, 655, 656, 657, 658, 659, 660, 661, 662, 663, 664, 665, 666, 667, 668, 669, 670, 671, 672, 673, 674, 675, 676, 677, 678, 679, 680, 681, 682, 683, 684, 685, 686, 687, 688, 689, 690, 691, 692, 693, 694, 695, 696, 697, 698, 699, 700, 701, 702, 703, 704, 705, 706, 707, 708, 709, 710, 711, 712, 713, 714, 715, 716, 717, 718, 719, 720, 721, 722, 723, 724, 725, 726, 727, 728, 729, 730, 731, 732, 733, 734, 735, 736, 737, 738, 739, 740, 741, 742, 743, 744, 745, 746, 747, 748, 749, 750, 751, 752, 753, 754, 755, 756, 757, 758, 759, 760, 761, 762, 763, 764, 765, 766, 767, 768, 769, 770, 771, 772, 773, 774, 775, 776, 777, 778, 779, 780, 781, 782, 783, 784, 785, 786, 787, 788, 789, 790, 791, 792, 793, 794, 795, 796, 797, 798, 799, 800, 801, 802, 803, 804, 805, 806, 807, 808, 809, 810, 811, 812, 813, 814, 815, 816, 817, 818, 819, 820, 821, 822, 823, 824, 825, 826, 827, 828, 829, 830, 831, 832, 833, 834, 835, 836, 837, 838, 839, 840, 841, 842, 843, 844, 845, 846, 847, 848, 849, 850, 851, 852, 853, 854, 855, 856, 857, 858, 859, 860, 861, 862, 863, 864, 865, 866, 867, 868, 869, 870, 871, 872, 873, 874, 875, 876, 877, 878, 879, 880, 881, 882, 883, 884, 885, 886, 887, 888, 889, 890, 891, 892, 893, 894, 895, 896, 897, 898, 899, 900, 901, 902, 903, 904, 905, 906, 907, 908, 909, 910, 911, 912, 913, 914, 915, 916, 917, 918, 919, 920, 921, 922, 923, 924, 925, 926, 927, 928, 929, 930, 931, 932, 933, 934, 935, 936, 937, 938, 939, 940, 941, 942, 943, 944, 945, 946, 947, 948, 949, 950, 951, 952, 953, 954, 955, 956, 957, 958, 959, 960, 961, 962, 963, 964, 965, 966, 967, 968, 969, 970, 971, 972, 973, 974, 975, 976, 977, 978, 979, 980, 981, 982, 983, 984, 985, 986, 987, 988, 989, 990, 991, 992, 993, 994, 995, 996, 997, 998, 999, 1000



SPULEN			WIDERSTÄNDE				KONDENSATOREN					
No.	Wert	Kode-Nr.	No.	Wert	Watt	Kode-Nr.	No.	Kapazität	Toleranz max. Betriebsspannung	Kode-Nr.		
S 1	4,5 Ω	A 3.110.69	R 1	8200 Ω	6	48.494.10/8 K2	C 1	50 μ F	Elko 270 V	49.031.09		
S 2	100 Ω		R 2	22000 Ω	$\frac{1}{4}$	48.425.10/22 K	C 2	50 μ F				
S 3	2,4 Ω	A 3.121.99	R 3	22000 Ω	$\frac{1}{4}$	48.425.10/22 K	C 3	1000 pF	Rollblock	48.757.20/1 K		
S 4	6,7 Ω		R 4	0,82 M Ω	$\frac{1}{4}$	48.425.10/820 K	C 4	12—492 pF	Drehko.	49.001.13		
S 5	7 Ω	A 3 121.94	R 5	27000 Ω	$\frac{1}{2}$	48.426.10/27 K	C 5	12 · 492 pF			C 6	32 pF
S 6	2,5 Ω		R 6	1,5 M Ω	$\frac{1}{2}$	48.426.10/1 M5	C 7	32 pF	Drahttrimmer	28.212.06		
S 7	4,5 Ω	R 7	56000 Ω	$\frac{1}{4}$	48.425.10/56 K	C 8	350—550 pF	Drahttrimmer	49.005.46			
C 9	115 pF	R 8	0,5 M Ω	Pot.	JK 151 02	C 9	115 pF	Ziehkond. siehe Spulen	C 10	115 pF		
C 10	115 pF	R 9	680 Ω	$\frac{1}{4}$	48.425.10/680 E							
S 8	7 Ω	A 3 121.94	R 10	0,1 M Ω	$\frac{1}{2}$	48.426.10/100 K	C 11	47000 pF	$\pm 20\%$ 400V	48.751.20/47K		
S 9	2,5 Ω		R 11	0,82 M Ω	$\frac{1}{4}$	48.425.10/820 K	C 12	0,22 μ F	$\pm 20\%$ 125V	49.127.30		
S 10	4,5 Ω	R 12	120 Ω	$\frac{1}{2}$	48.426.10/120 E	C 13	115 pF	Ziehkond. siehe Spulen	C 14	115 pF		
C 13	115 pF	R 13	1050 Ω^*	16	48.496.10/1 K05							
C 14	115 pF		oder 750+300 Ω^{**}	7,5+3	49.364.68	C 15	100 pF	$\pm 20\%$ Ker.	48.406.20/100E			
S 11	500 Ω	JK 051.34	R 14	200 Ω	6	48.494.10/200 E	C 16	220 pF	$\pm 20\%$ Ker.	48.406.20/220E		
S 12	175 Ω		C 17	10000 pF	$\pm 20\%$ 400V	48.751.20/10K						
S 13	0,7 Ω	C 18	10000 pF	$\pm 20\%$ 600V	48.752.20/10K							
S 14	4 Ω	49.981.16		oder 22000 pF	$\pm 20\%$ 600V	48.756.20/22K						
				C 19	10 pF	Keramisch	48.406.99/10 E					

* Normalausführung für 220 V-Netz.
** Universalausführung für Netzspannungen
110 bis 125—145—220 V.

BCH 170 U



PHILIPS

Ströme und Spannungen bei 220 V Netzspannung
 Gemessen mit einem Instrument von 2000 Ω/Volt Innenwiderstand

Röhrentype		U_F	U_a	$U_{g2(4)}$	I_a	$I_{g2(4)}$	I_k
UCH 41	Hexode	14	95	50	0,9	1,2	6,2
	Triode		95		4,1		
UAF 41 (UAF 42)		12,6	95	50	1,9	0,7	2,6
UF 41		12,6	20	20	0,8		0,8
UL 41		45	180	95	32	3,5	35,5
UV 41		31			48		48
		Volt	Volt	Volt	mA	mA	mA

$U_{C1} = 105 V$ $U_{C2} = 95 V$ $I_{R1} = 13,8 mA$ Netzleistung = 31 Watt