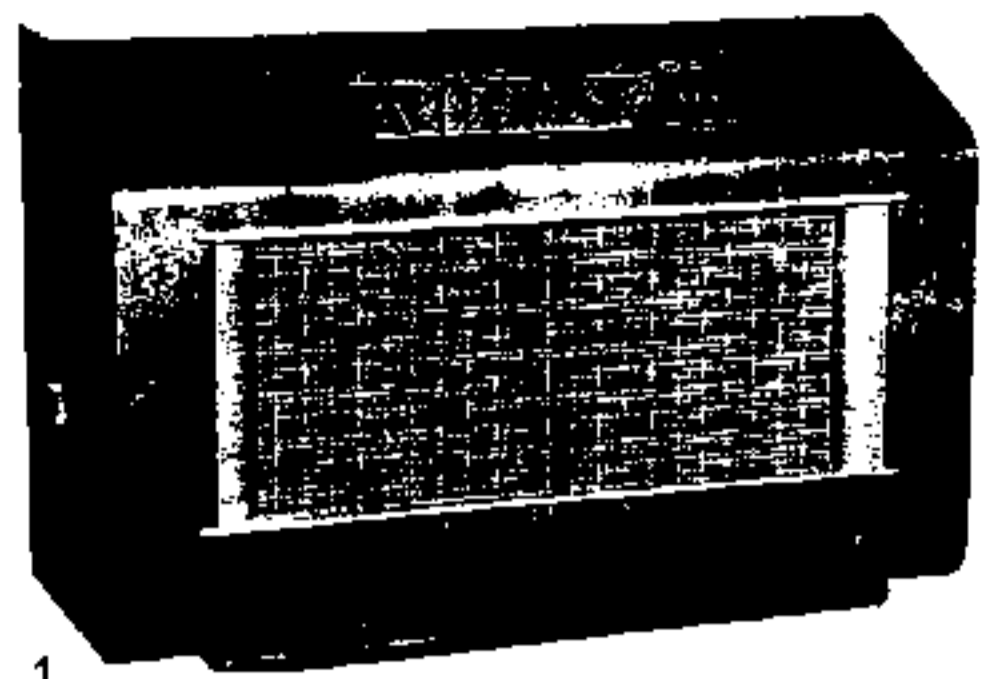


PHILIPS-SERVICE

625U

16,7—51 m
186—585 m
708—2000 m
473 kc/s

9646 Z · 5 12
110, 125, 200, 220 V 25—40W

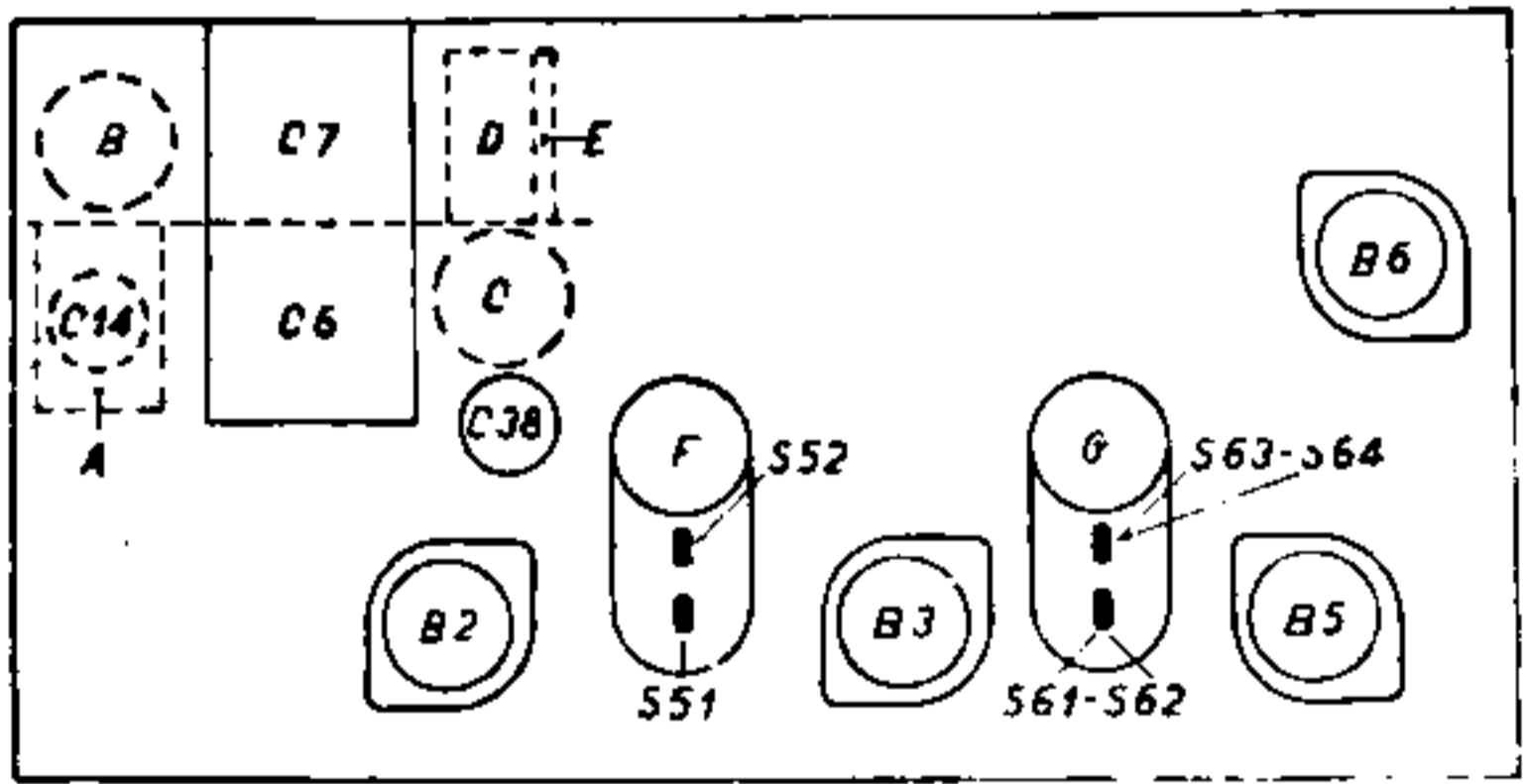


| | I | II | V |
|-----------------------|---------------|----------------|---|
| 186—585 m | 186—585 m | 186—585 m | |
| vol max | vol max | 859 kc/s — Y | |
| C6, C7 () 200 m | C6, C7 · 15° | C6, C7 () max | |
| 473kc/s-33000 pF-g1B2 | 1550 kc/s — Y | 350 m | |
| 82pF-S52 | C38, C14 max | | |
| 82 pF-S61/S62 | | | |
| S51, S63/S64-max | | | |
| S52 | | | |
| S61/S62 | | | |
| 82pF-S51 | | | |
| 82pF-S63/S64 | | | |
| S52, S61/S62-max | | | |
| S51 | | | |
| S63/S64 | | | |

~ VOL

1942/43

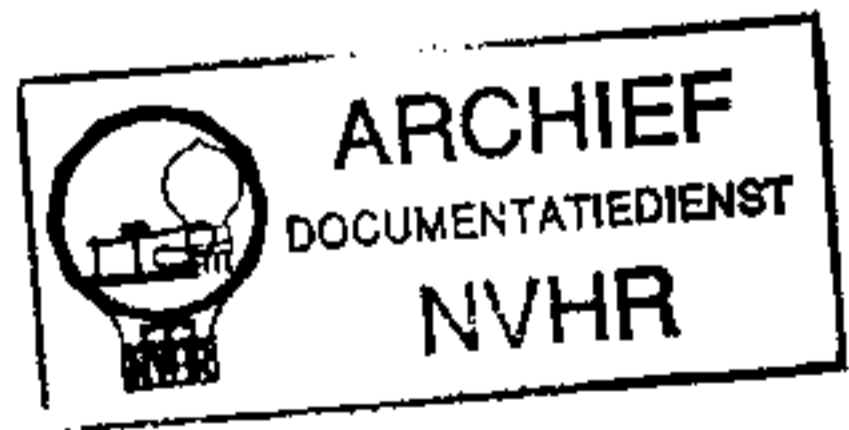
| | | | |
|------|------|------|---------|
| R1 | 1K2 | C1 | 55u |
| R11 | 500K | C2 | 25u |
| R21 | 50K | | |
| R31 | 100K | C20 | 4p7 |
| R33 | 470K | | |
| R34 | 22K | C34 | 22p |
| R35 | 18K | C35 | 1000p |
| R36 | 82 | | |
| R37 | 1M5 | C44 | 18p |
| R38 | 56K | | |
| R39 | 47K | C72 | 47000p |
| R40 | 1K | C73 | 47000p |
| R41 | 1M | C75 | 32u |
| R43 | 5K6 | C81 | 10p |
| R44 | 2K7 | C82 | 82p |
| R45 | 100K | C84 | 22000p |
| R46a | 390 | C85 | 1000p |
| R46b | 330 | C100 | 1000p |
| | | C101 | 47000p |
| R50 | 100 | C103 | 100p |
| R61 | 330 | C104 | 150p |
| R62 | 175 | C105 | 430p |
| R63 | 120 | C106 | 470p |
| R64 | 500 | C108 | 47000p |
| | | C109 | 47000p |
| R65 | 100K | C110 | 4700p |
| R66 | 68 | C112 | 100000p |
| R72 | 150 | C113 | 430p |
| R73 | 330 | | |
| | | C120 | 100000p |
| R81 | 47K | | |
| | | C131 | 22000p |
| R100 | 100 | | |



| | B2 | B3 | B5 | B6 | |
|-----|------------------|-----|------|------|----|
| | UCH4 | UF9 | UBL1 | UY1N | |
| Va | aT 80 aH 170 | 170 | 190 | | V |
| Vg2 | 85 | 84 | 170 | | V |
| Vk | 1,5 | 1,9 | 13 | | V |
| Ia | aT 2,6 aH 4,5 | 3,5 | 36 | | mA |
| Ig2 | 4 | 1,2 | 4,9 | | mA |

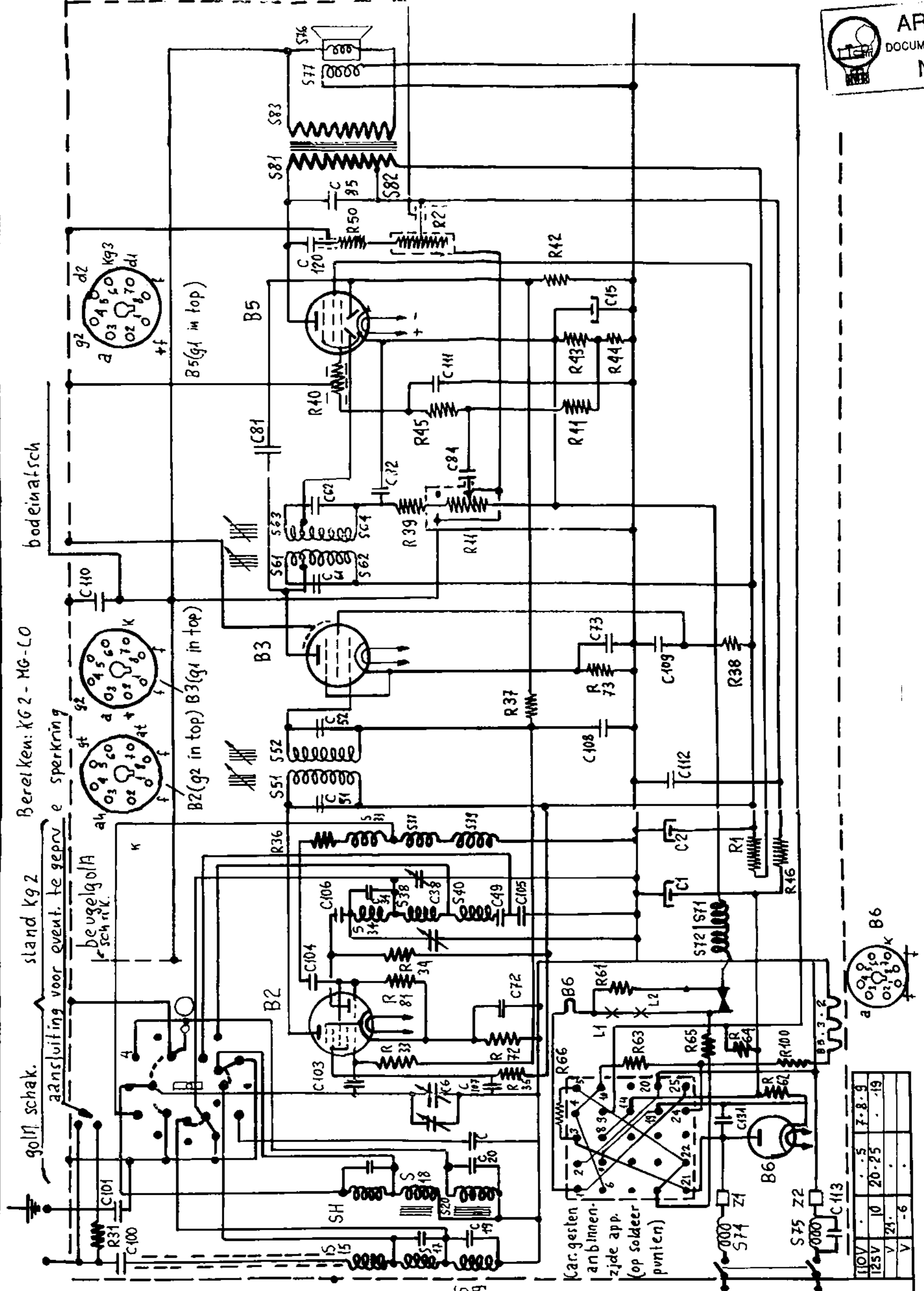
VC1=210 V VC2=170 V

Ned. Ver. v. Historie v/d Radio



L1, L2 = 8089D

S 13 17 19 14 11 74 75 34 38 40 71 72 27 31 33 51 52 61 62 64 63 81 82 83 77 76
 C 100 104 15 113 20 131 107 6 103 7 43 105 34 38 105 42 51 108 52 73 109 61 140 62 82 84 81 111 15 120 85
 R 12 62 35 33 66 63 65 64 61 81 84 36 1 46 37 73 31 39 11 45 40 41 43 44 42 50 21



SCHAA
SCALE

ONTVANGER 43/44

PRINCIPESCHMA

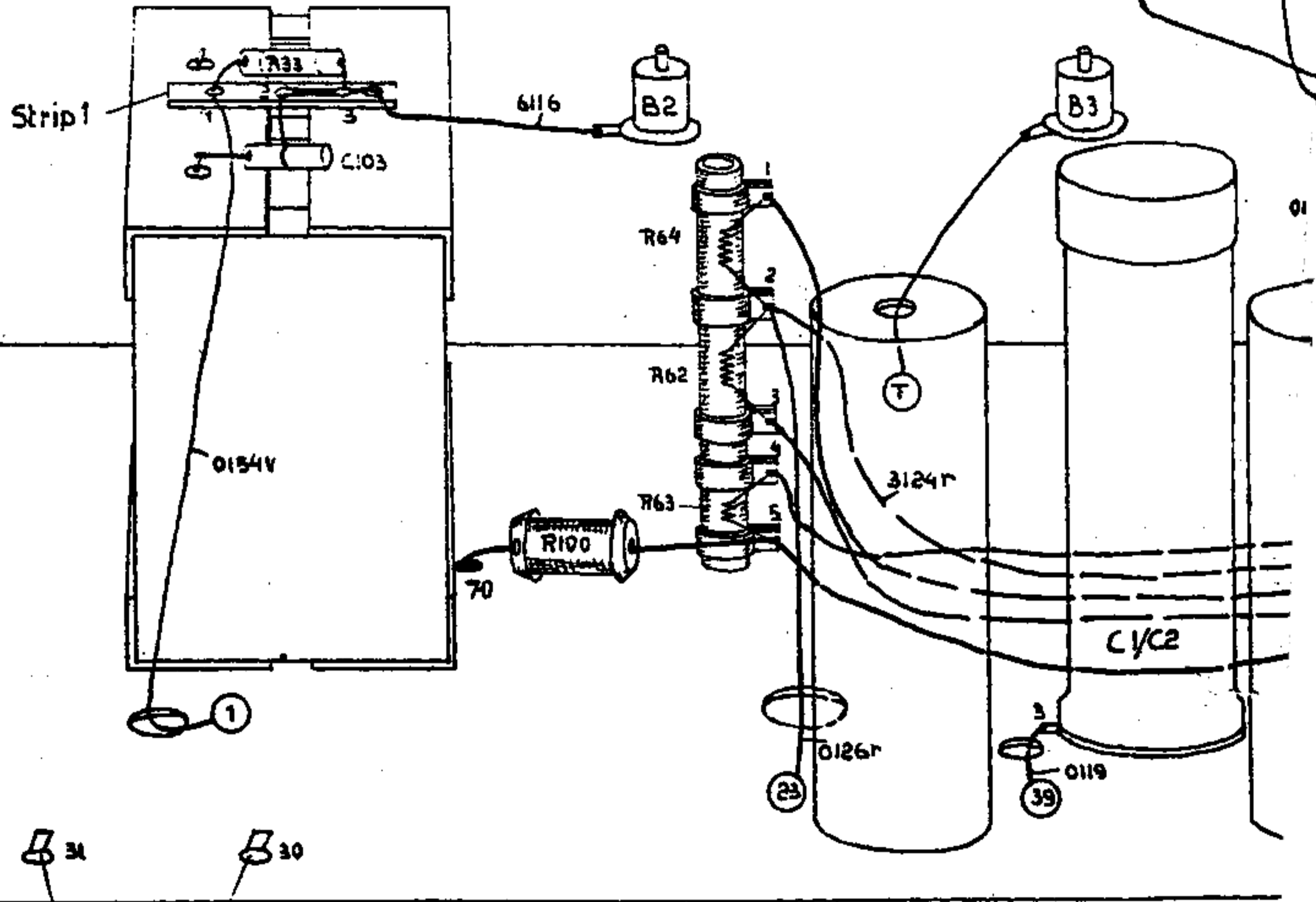
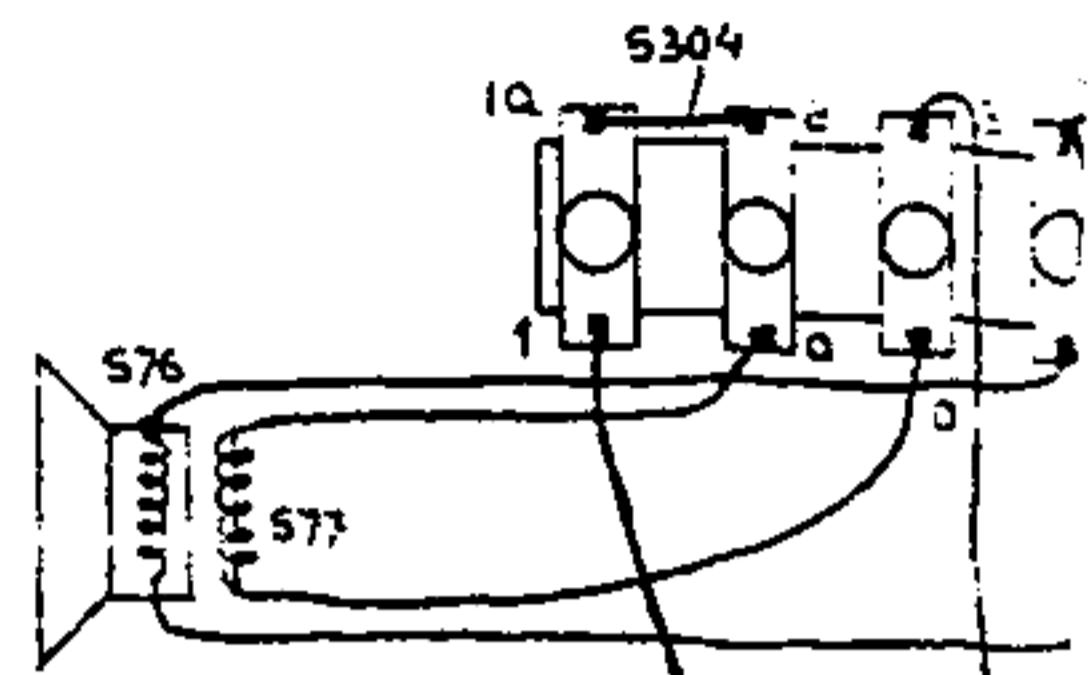
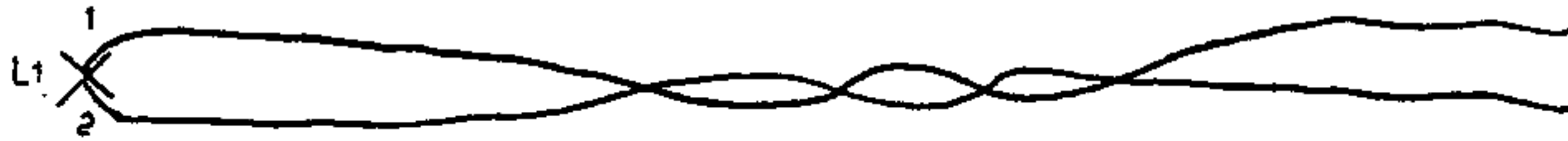
PHILIPS GLOEILAMPEN

625 U-EVA

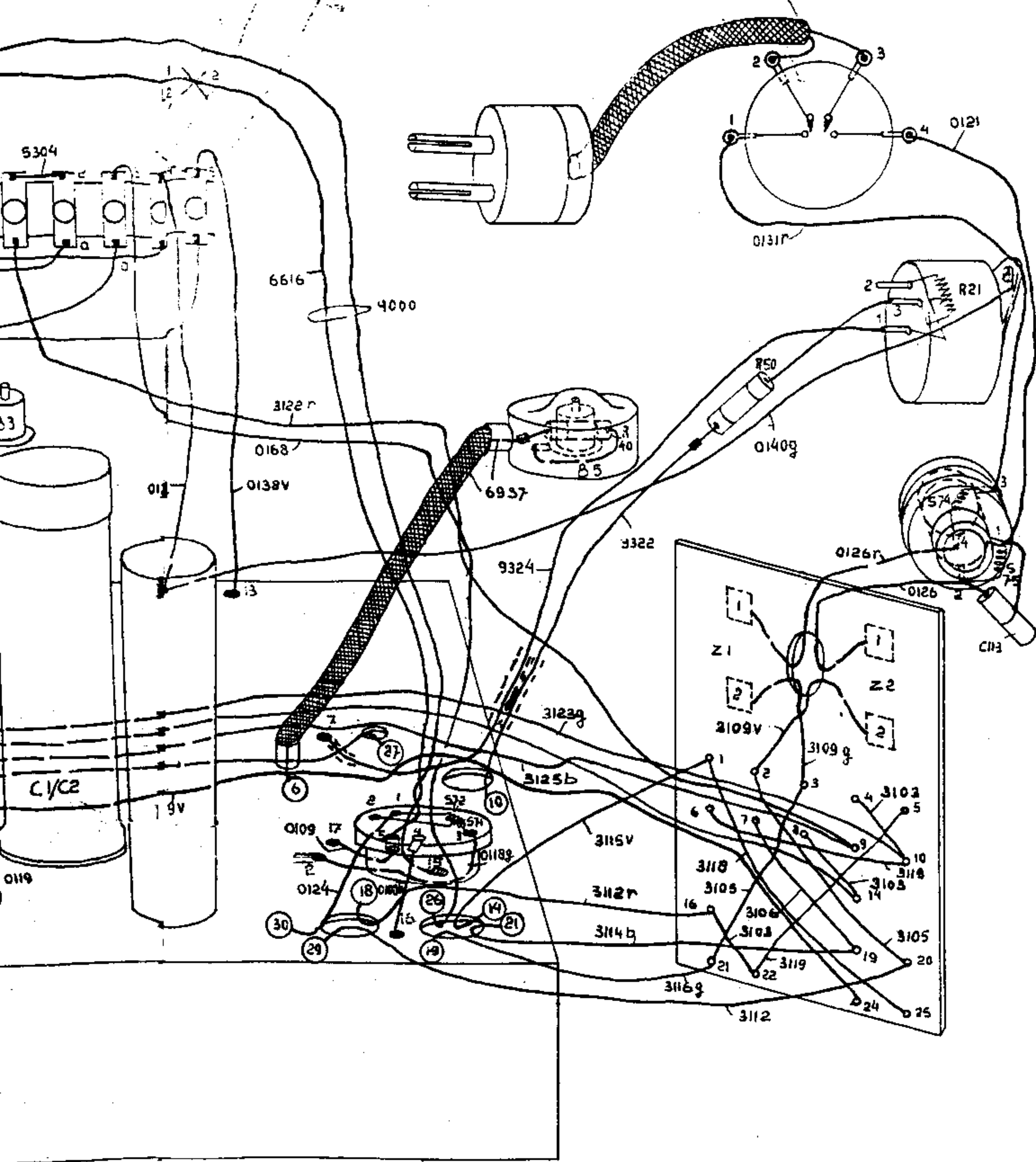
L SN A. DAT.
 F D
 -D AWH Oomen
 VEV-REMP.
 -SUPER

EINDHOVEN HOLLAND

| | | |
|------|----|-------|
| 110V | 5 | 7-8-9 |
| 125V | 10 | 20-25 |
| V | 24 | -19 |
| V | -6 | |



sperring aansluiting

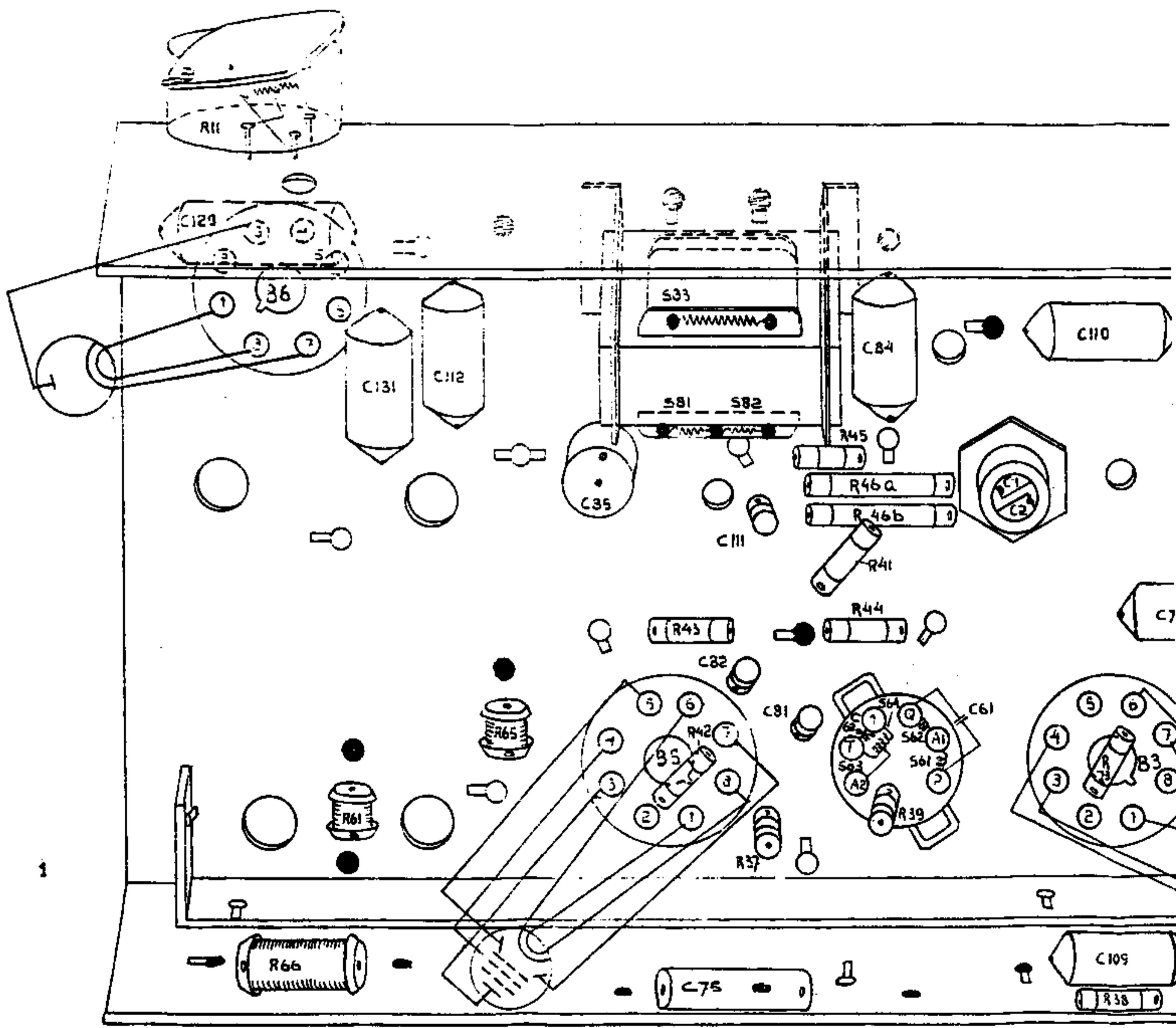


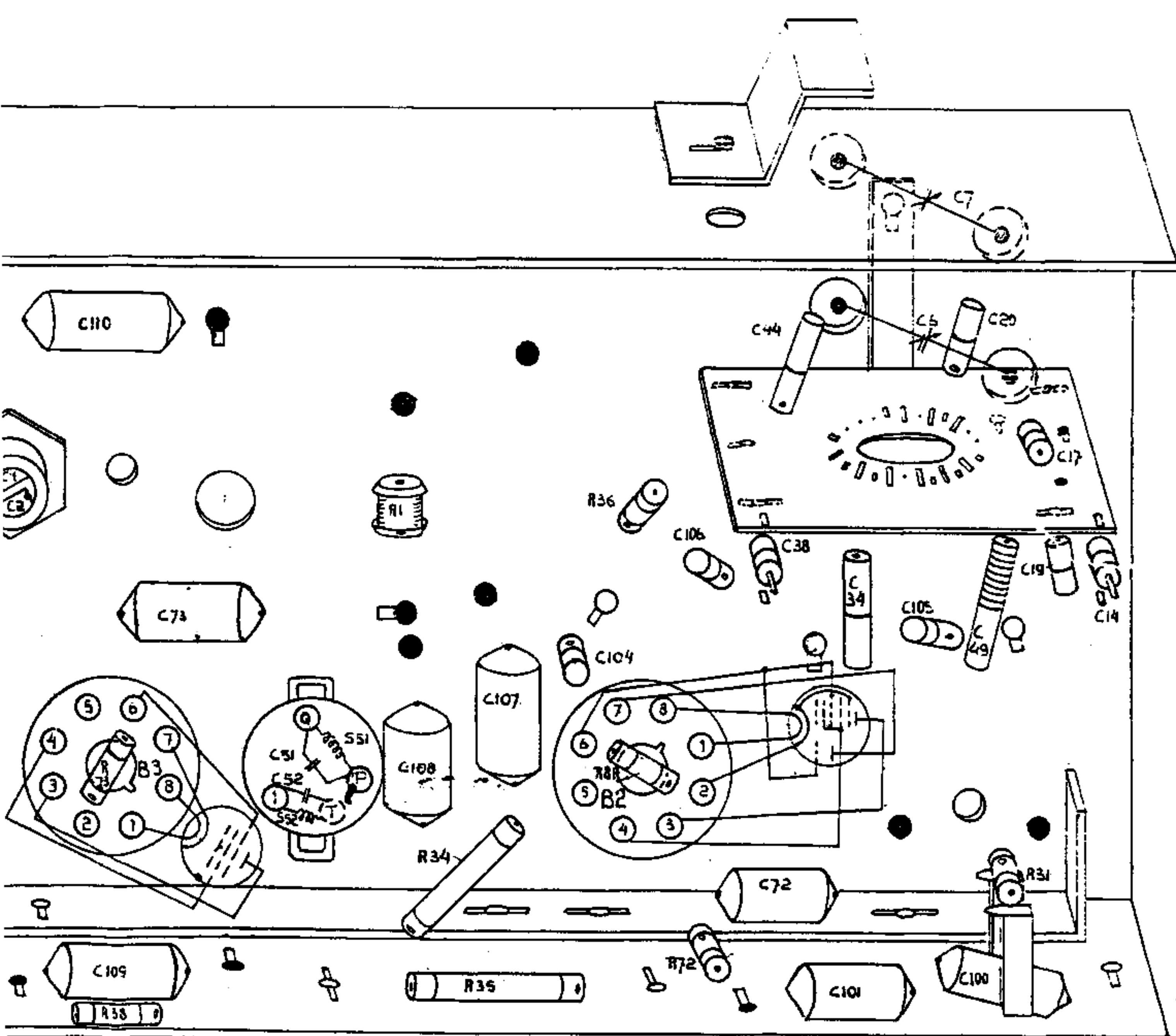
GEDELT. VOOR - EN PARTIE FOUR
 TELWEISE FUR - PARTLY TO

GELDT OOK BEZEFEL VOOR - BERT 4021 EN FILTER FOUR
 GILT AUCH GANZ FUR - APP-159 ALSO IS WHOLE OF

| | | | | |
|------------------------------------------------------------|--------------------------------------|-----------------|----------|---------|
| ND. TRAIT. TMENT | SCHAAL MASSEY ECHELLE SCALE | ONTVANGER 43/44 | 625U-EVA | 8-9-42 |
| KENN-EINH. UNITS-UNIT | | | | 27-4-43 |
| OPSTELLINGS-EN MONTAGE SCHEMA = (bovenaanzicht) | | | | 8-9-43 |
| N.V. PHILIPS' GLOEILAMPENFABRIEKEN TE EINDHOVEN - HOLLAND. | | | | |

BL. 24 A
 P.-SN. G.
 DAT. 16-7-42
 GET-DESS.
 GEZ-DRAWN
 VERV-REMP.
 ERFSUPERS
 Felten





| | | | |
|----------------------------------------------------|------------------------------------|----------------------------------------------------|-------------|
| BEHAND.-TRAIT. TREATMENT | | MAT. | |
| SCHAAL MASST ECHELLE SCALE | ONTVANGER 43/44 | 625U-EVA | |
| BEWERKING BEARBEITING USINAGE OPERATION | OPSTEL- SCHEMMA (onderaanzicht) | BL. 22 P. 58 | DAT 16-7-42 |
| EENH.-EINH. UNITS-UNIT | | GET-DESS. GEZ-DRAWN VERY-REMP. ERS-SUPERS | Felten |
| N.V. PHILIPSONS-RECHTENAFBRIEKEN TE EINDHOVEN - HO | | | |

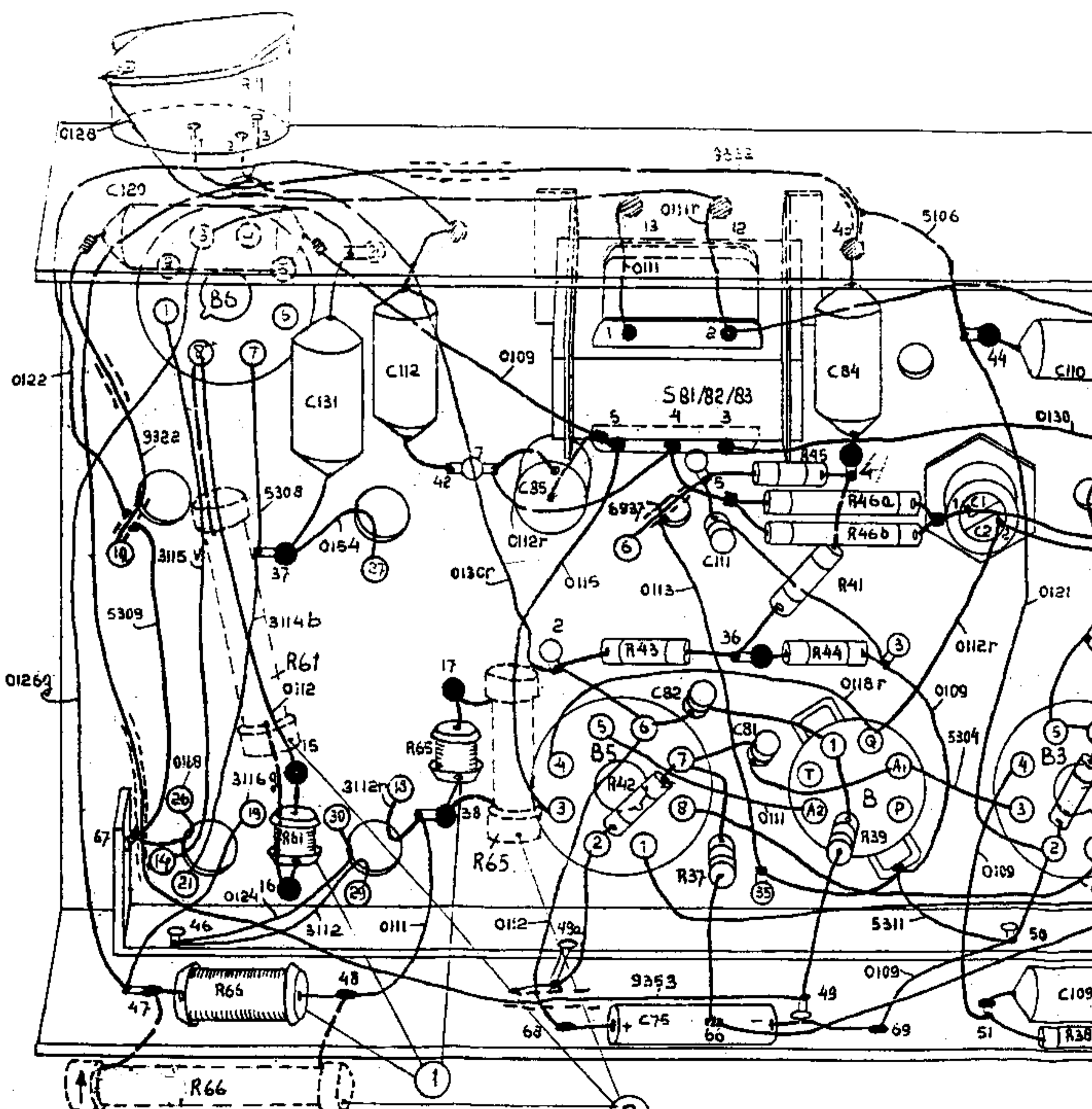
GEDELT VOOR EN PARTIE PIËR
 625U-EVA - 19
 GE. OF OOK GEHEEL VOOR - SEIT AUSSI EN PARTIE PIËR

| | | | | | | | | | |
|---|-------|-----|----|----|------------|----|------------------------|------|--------|
| S | | | | | | | | | |
| C | 12 | 131 | 12 | 85 | 32, 111 | 81 | 84 | 1, 2 | 10, 09 |
| A | 1, 35 | 61 | 65 | | 43, 42, 37 | | 45, 41, 4-39, 45a, 45b | | 73, 38 |

W. 1270

Eigendomsrecht der Philips' Schiedamschen Fabriek...
 Reparaties van de toestellen...
 Het afbreken van de toestellen...

102
 106
 214
 292



- ① Vrij van plaatsmonteren
- ② Bij gebruik van Duitse draadweerstand

