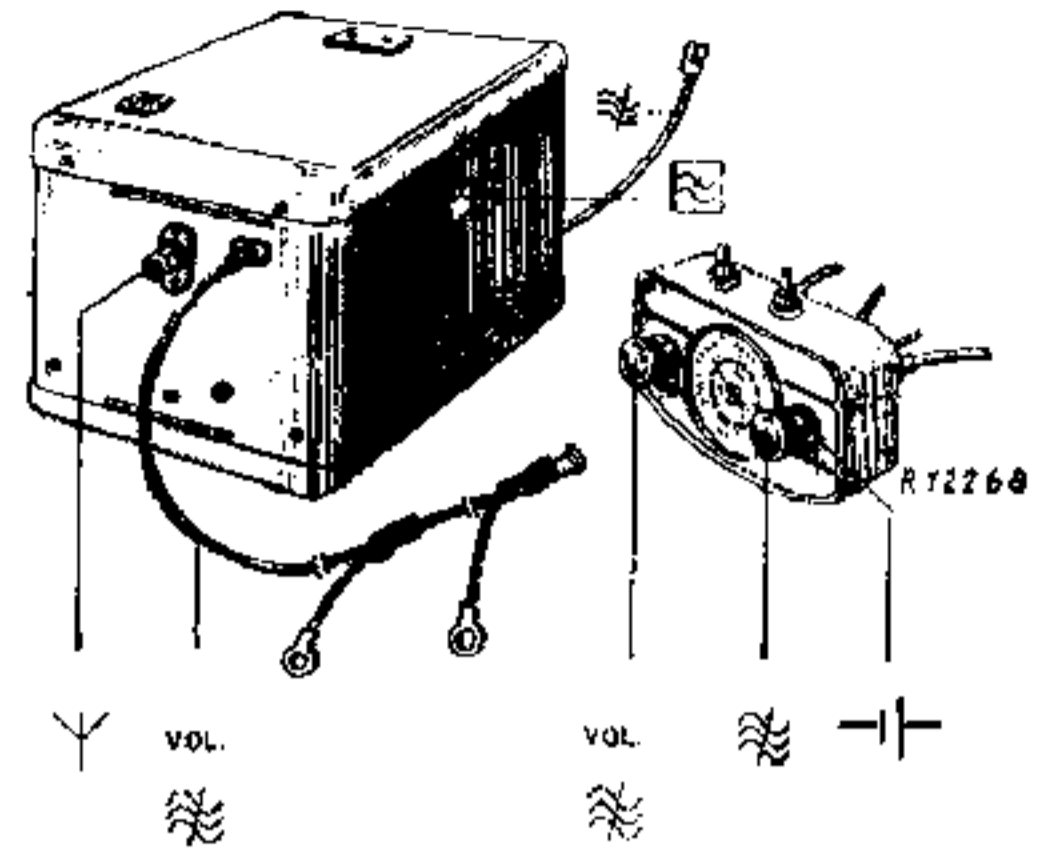


# PHILIPS-SERVICE

# 258 V/259 V

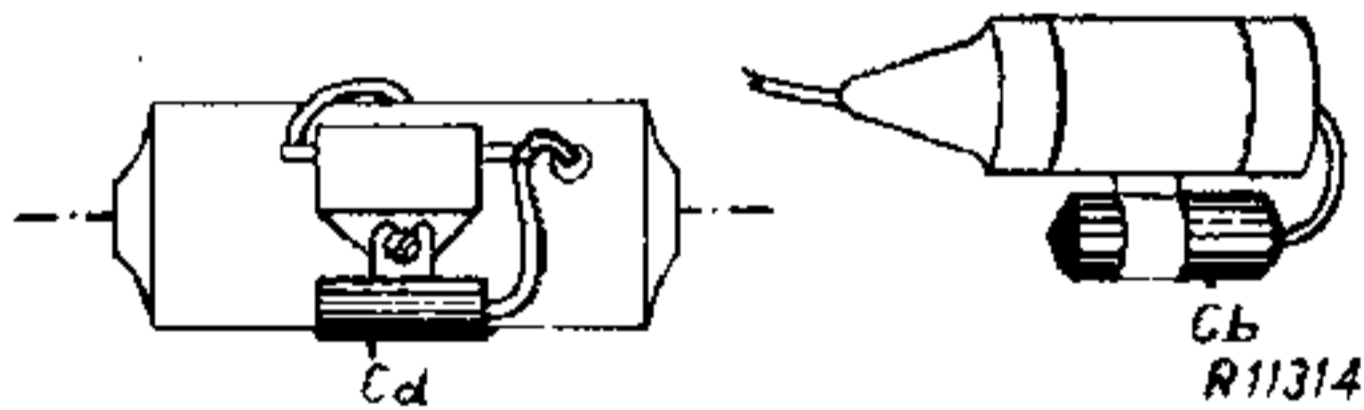
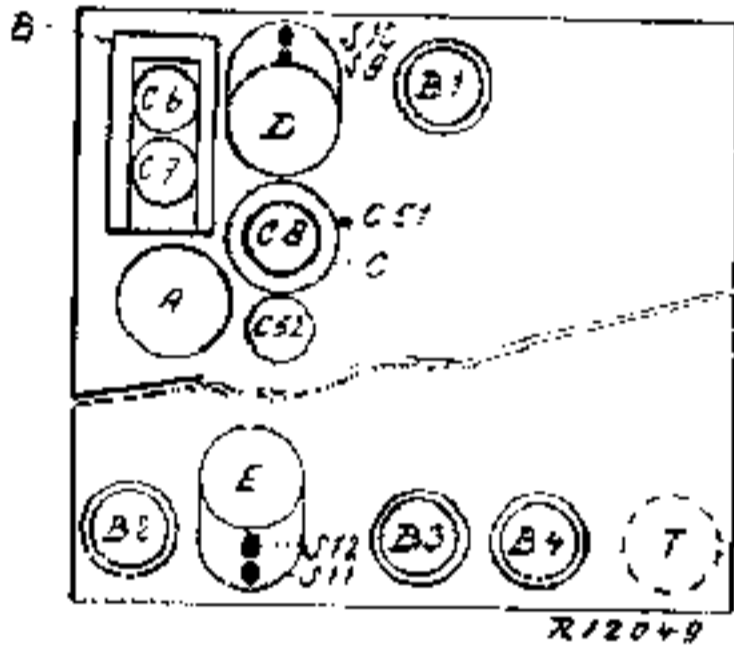
200—585 m  
850—1950 m  
468 kc/s

9662 Z 5 Ω  
6V—4,5 A (258V)  
12V—2,25 A (259V)



| 850—1950 m |                        | 200—585 m |                 | 850—1950 m |                 |
|------------|------------------------|-----------|-----------------|------------|-----------------|
| VOL.       | max                    | VOL.      | max             | VOL.       | max             |
|            | 468kc/s-32000pF-g1B2   |           | C4, C5 15°      |            | C4, C5 30°      |
|            | S11, S12, S17 max      |           | 1490 kc/s-32 pF |            | 322kc/s-32 pF   |
|            | 468 kc/s-32000 pF-g4B1 |           | C7, C6 max      |            | C8 max          |
|            | S9, S10 max            |           | 32 pF-aB1       |            | 32 pF-aB1       |
|            |                        |           | C5              |            | C5              |
|            |                        |           | 625kc/s-32 pF   |            | 170kc/s-32pF    |
|            |                        |           | C4, C5 625 kc/s |            | C4, C5 170 kc/s |
|            |                        |           | C5              |            | C5              |
|            |                        |           | C52 max         |            | C51 max         |

|     |         |                |     |             |                |
|-----|---------|----------------|-----|-------------|----------------|
| R1  | 0,1 MΩ  | 48 552 10/100K | C1  | 12,5 μF     | 48 317 11/12,5 |
| R2  | 47 Ω    | 48 425 10/47E  | C2  | 12,5 μF     | + 12,5         |
| R3  | 390 Ω   | 48 426 10/390E | C3  | 25 μF       | 49 020 41.0    |
| R4  | 47000 Ω | 48 426 10/47K  | C4  | 0.490 pF    | 28 212 39.0    |
| R5  | 2200 Ω  | 48 426 10/22K2 | C5  | 0.490 pF    | 28 211 83.1    |
| R6  | 330 Ω   | 48 426 10/330E | C6  | 2 1/2-30 pF | 28 211 83.1    |
| R7  | 82000 Ω | 48 426 10/82K  | C7  | 2 1/2-30 pF | 28 211 83.1    |
| R8  | 47000 Ω | 48 426 10/47K  | C8  | 30 pF       | —              |
| R9  | 0,1 MΩ  | 48 427 10/100K | C9  | 47000 pF    | 48 751 10/47K  |
| R10 | 100 Ω   | 48 427 10/100E | C10 | 47000 pF    | 48 751 10/47K  |
| R10 | 220 Ω   | 48 427 10/220E | C14 | 120 pF      | 48 429 05/120E |
| R11 | 100 Ω   | 48 427 10/100E | C15 | 375 pF      | 48 429 05/375E |
| R11 | 220 Ω   | 48 427 10/220E | C16 | 97 pF       | —              |
| R12 | 0,5 MΩ  | 49 473 04.0    | C17 | 91 pF       | —              |
| R13 | 1,5 MΩ  | 48 426 10/1M5  | C18 | 0,1 μF      | 48 751 10/100K |
| R14 | 6800 Ω  | 48 426 10/6K8  | C19 | 0,1 μF      | 48 751 10/100K |
| R15 | 0,68 MΩ | 48 425 10/680K | C20 | 0,33 μF     | 48 751 10/330K |
| R16 | 0,27 MΩ | 48 426 10/270K | C21 | 0,1 μF      | 48 751 10/100K |
| R17 | 1,2 MΩ  | 48 426 10/1M2  | C22 | 97 pF       | —              |
| R18 | 0,33 MΩ | 48 552 10/330K | C23 | 103 pF      | —              |
| R19 | 0,47 MΩ | 48 426 10/470K | C24 | 15 pF       | 48 601 10/15E  |
| R20 | 1000 Ω  | 48 426 10/1K   | C25 | 100 pF      | 48 406 10/100E |
|     | 1200 Ω  | 48 426 10/1K2  | C26 | 47000 pF    | 48 751 10/47K  |
|     |         |                | C27 | 0,1 μF      | 48 751 10/100K |
|     |         |                | C28 | 0,39 μF     | 48 751 10/390K |
|     |         |                | C29 | 2 x 0,47 μF | 48 751 10/470K |
|     |         |                | C30 | 22000 pF    | 48 758 20/22K  |
|     |         |                | C31 | 22000 pF    | 48 758 20/22K  |
|     |         |                | C32 | 47000 pF    | 48 754 20/47K  |
|     |         |                | C33 | 330 pF      | 48 406 10/330E |
|     |         |                | C34 | 47000 pF    | 48 751 10/47K  |
|     |         |                | C35 | 10000 pF    | 28 199 94.0*   |
|     |         |                | C36 | 0,22 μF     | 48 751 10/220K |
|     |         |                | C37 | 10000 pF    | 28 199 94.0*   |
|     |         |                | C38 | 0,5 μF      | —              |
|     |         |                | C39 | 15 pF       | 48 601 10/15E  |
|     |         |                | C40 | 5000 pF     | —              |
|     |         |                | C41 | 47000 pF    | 48 751 10/47K  |
|     |         |                | C51 | 30 pF       | —              |
|     |         |                | C52 | 2 1/2-30 pF | 28 212 45.3    |
|     |         |                | C53 | 22 pF       | 48 406 10/22E  |
|     |         |                | C54 | 47000 pF    | 48 751 10/47K  |



|        | B1   | B2  | B3   | B4  |    |
|--------|------|-----|------|-----|----|
|        | EK2  | EF9 | EBC3 | BL2 |    |
| Va     | 220  | 225 | 80   | 220 | V  |
| Vg2    | 225  | 95  | —    | 230 | V  |
| Vg3(5) | 45   | —   | —    | —   | V  |
| Vk     | 1,6  | 2,1 | 2,5  | 15  | V  |
| Ia     | 1,75 | 6,0 | 0,45 | 25  | mA |
| Ig2    | 2,0  | 1,8 | —    | 4,5 | mA |
| Ig3(5) | 1,0  | 1,8 | —    | —   | mA |

1) 258 V 2) 259 V

|                  |             |           |                           |
|------------------|-------------|-----------|---------------------------|
| S1, S14, S2      | A1 035 12.1 | S16       | T                         |
| S3, S4, S28, S29 | A1 035 11.0 | S17, S18, | A3 161 02.0 <sup>1)</sup> |
| S5, S6, S7, S8   | A1 035 13.2 | S19, S20  | A3 161 17.0 <sup>2)</sup> |
| C8, C51          | 28 573 73.1 | S17, S18, | 28 534 62.1               |
| S9, S10          | 28 573 74.1 | S19, S20  | 28 220 52.0               |
| C16, C17         | A1 000 27.1 | S20, S22, | 28 891 16.0*              |
| S11, S12, S27    | 28 588 50.1 | S23, S24  |                           |
| C12, C23         |             | S25       |                           |
| S13              |             | S26       |                           |
| S15              |             | C38       |                           |

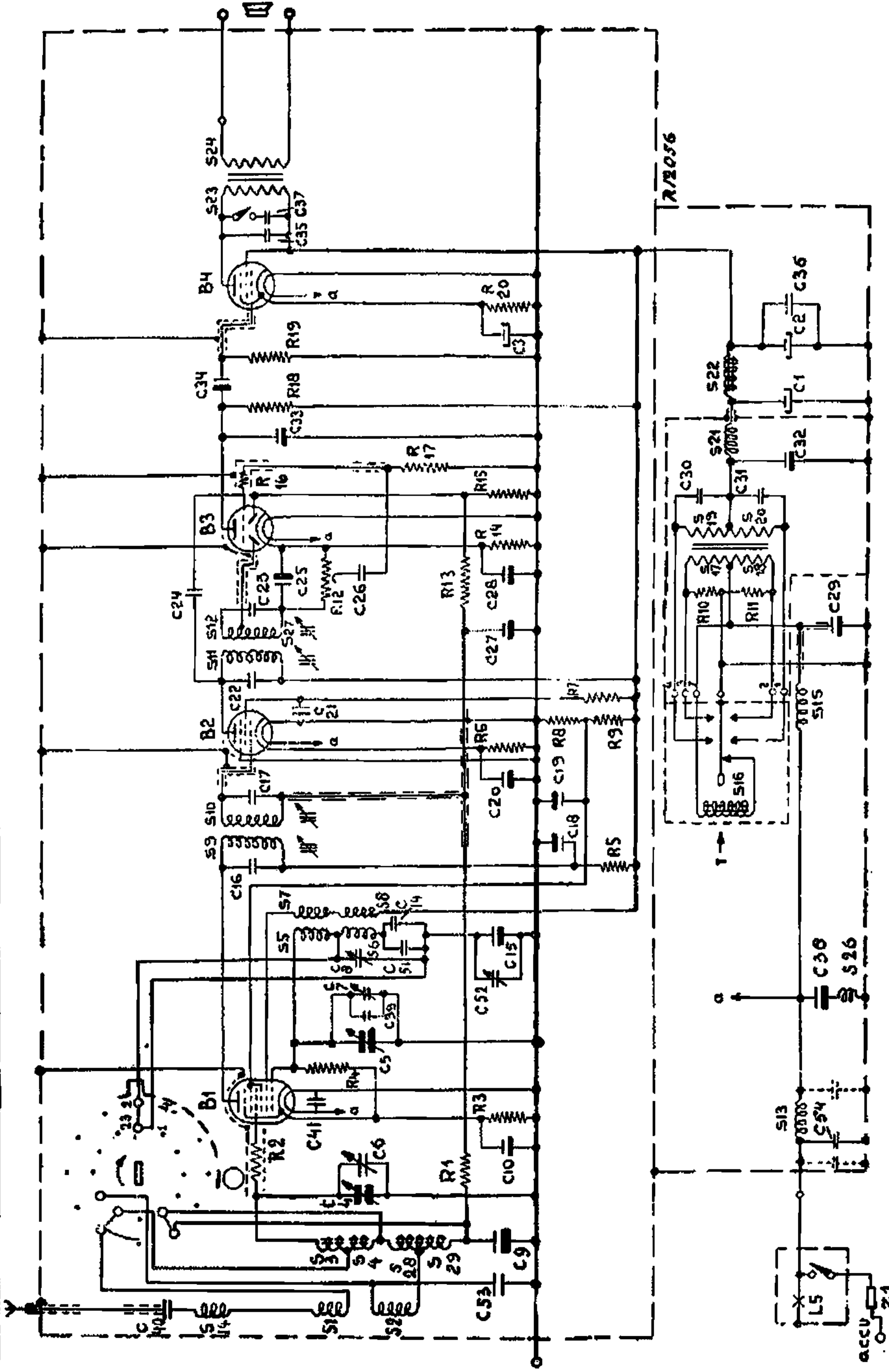
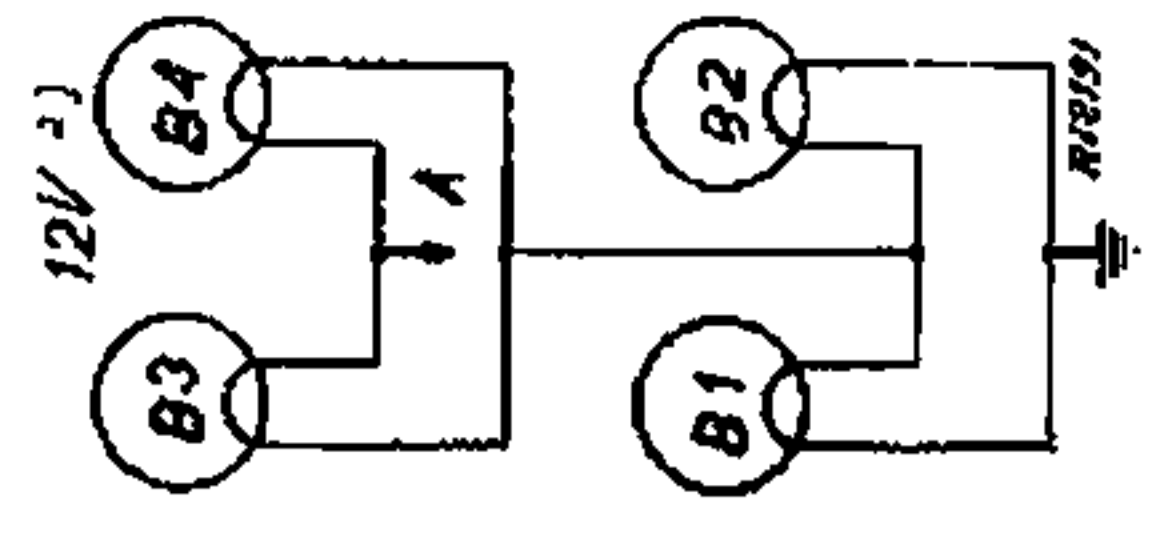
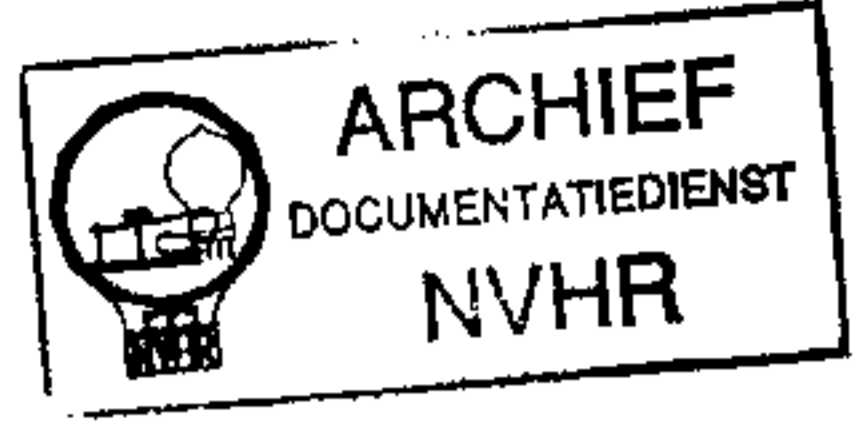
|   |                           |    |        |             |
|---|---------------------------|----|--------|-------------|
| T | 7866 1)                   | Cb | 2 μF   | 28 160 92.1 |
| T | 7867 2)                   | Cd | 0,5 μF | 7350        |
| Z | 08 140 34.0 <sup>3)</sup> |    |        |             |
| Z | 08 140 31.1 <sup>4)</sup> |    |        |             |

Ned. Ver. v. Historie v/d Radio

93 952 04.1

|   |  |
|---|--|
| S | 1, 2, 3, 4, 13, 26, 5, 6, 7, 8, 9, 10, 11, 12, 13, 14, 15, 16, 17, 18, 19, 20, 21, 22, 23, 24, 25, 26, 27, 28, 29, 30, 31, 32, 33, 34, 35, 36, 37, 38, 39, 40, 41, 42, 43, 44, 45, 46, 47, 48, 49, 50, 51, 52, 53, 54, 55, 56, 57, 58, 59, 60, 61, 62, 63, 64, 65, 66, 67, 68, 69, 70, 71, 72, 73, 74, 75, 76, 77, 78, 79, 80, 81, 82, 83, 84, 85, 86, 87, 88, 89, 90, 91, 92, 93, 94, 95, 96, 97, 98, 99, 100 |
| C | 1, 2, 3, 4, 5, 6, 7, 8, 9, 10, 11, 12, 13, 14, 15, 16, 17, 18, 19, 20, 21, 22, 23, 24, 25, 26, 27, 28, 29, 30, 31, 32, 33, 34, 35, 36, 37, 38, 39, 40, 41, 42, 43, 44, 45, 46, 47, 48, 49, 50, 51, 52, 53, 54, 55, 56, 57, 58, 59, 60, 61, 62, 63, 64, 65, 66, 67, 68, 69, 70, 71, 72, 73, 74, 75, 76, 77, 78, 79, 80, 81, 82, 83, 84, 85, 86, 87, 88, 89, 90, 91, 92, 93, 94, 95, 96, 97, 98, 99, 100         |
| R | 1, 2, 3, 4, 5, 6, 7, 8, 9, 10, 11, 12, 13, 14, 15, 16, 17, 18, 19, 20, 21, 22, 23, 24, 25, 26, 27, 28, 29, 30, 31, 32, 33, 34, 35, 36, 37, 38, 39, 40, 41, 42, 43, 44, 45, 46, 47, 48, 49, 50, 51, 52, 53, 54, 55, 56, 57, 58, 59, 60, 61, 62, 63, 64, 65, 66, 67, 68, 69, 70, 71, 72, 73, 74, 75, 76, 77, 78, 79, 80, 81, 82, 83, 84, 85, 86, 87, 88, 89, 90, 91, 92, 93, 94, 95, 96, 97, 98, 99, 100         |

258 V  
259 V



EK2

EF9

EBC3

EL2

