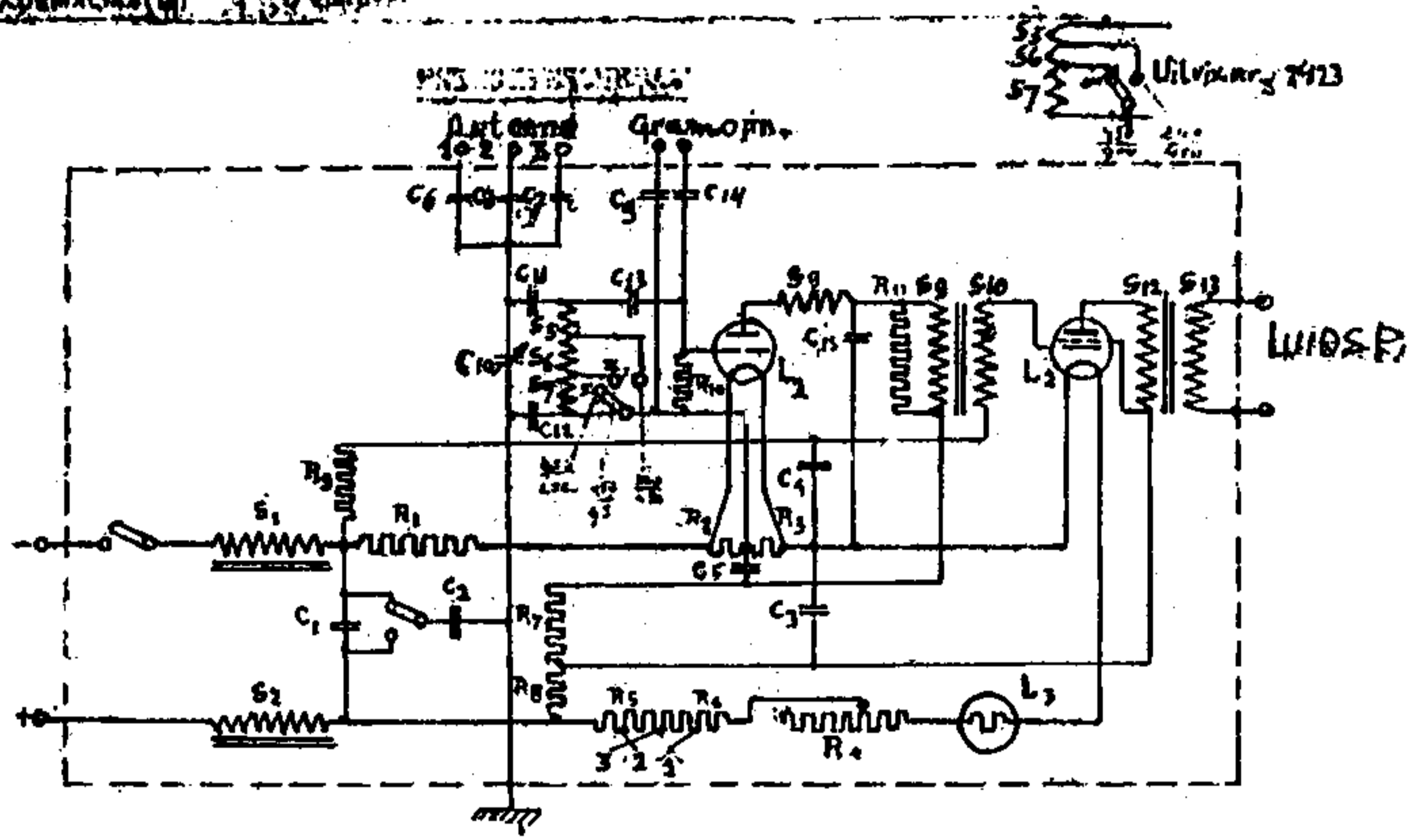


SPINOZA-HERENDEEL

SPINOZA-HERENDEEL
 15-10-1941



S1	10000
S2	10000
S3	10000
S4	10000
S5	10000
S6	10000
S7	10000
S8	10000
S9	10000
S10	10000
S11	10000
S12	10000
S13	10000

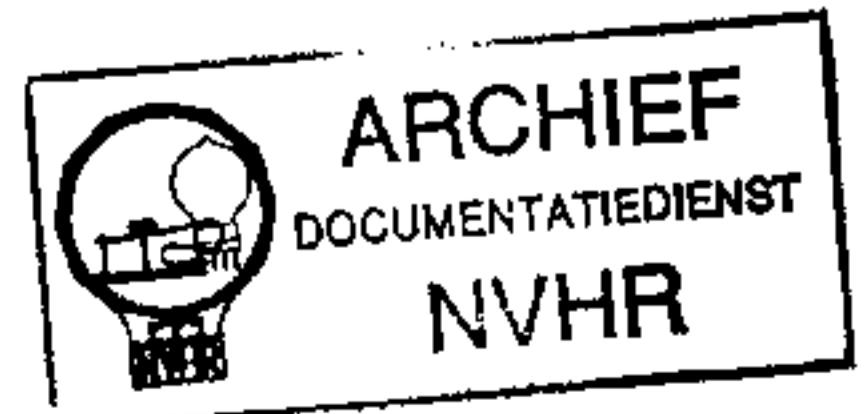
C1	0.001
C2	0.001
C3	0.001
C4	0.001
C5	0.001
C6	0.001
C7	0.001
C8	0.001
C9	0.001
C10	0.001
C11	0.001
C12	0.001
C13	0.001
C14	0.001
C15	0.001

R1	165
R2	155
R3	130
R4	10000
R5	10000
R6	10000
R7	10000
R8	10000
R9	10000
R10	10000
R11	10000

L1 = A 415
 L2 = B 543
 L3 = 1904

50 Volt
 20 Volt
 10 Volt

Ned. Ver. v. Historie v/d R



RADIO TYPE 2523

$$L_1 = A415$$

$$L_2 = B543$$

$$L_3 = 1904$$

$$R_1 = 130 \text{ OHM}$$

$$R_2 = 165 \text{ "}$$

$$R_3 = 165 \text{ "}$$

$$R_4 = 100 \text{ "}$$

$$R_5 = 350 \text{ "}$$

$$R_6 = 350 \text{ "}$$

$$R_7 = 15 \text{ K OHM}$$

$$R_8 = 1000 \text{ OHM}$$

$$R_9 = 200 \text{ K OHM}$$

$$R_{10} = 1.45 \text{ M OHM}$$

$$R_{11} = 1000 \text{ OHM}$$

$$C_1 = 3 \mu\text{F}$$

$$C_2 = 1 \mu\text{F}$$

$$C_3 = 4 \mu\text{F}$$

$$C_4 = 1 \mu\text{F}$$

$$C_5 = 2 \mu\text{F}$$

$$C_6 = 250 \text{ CM}$$

$$C_7 = 60 \text{ CM}$$

$$C_8 = 15 \text{ CM}$$

$$C_9 =$$

$$C_{10} =$$

$$C_{11} = 20.000 \text{ CM}$$

$$C_{12} = 20.000 \text{ CM}$$

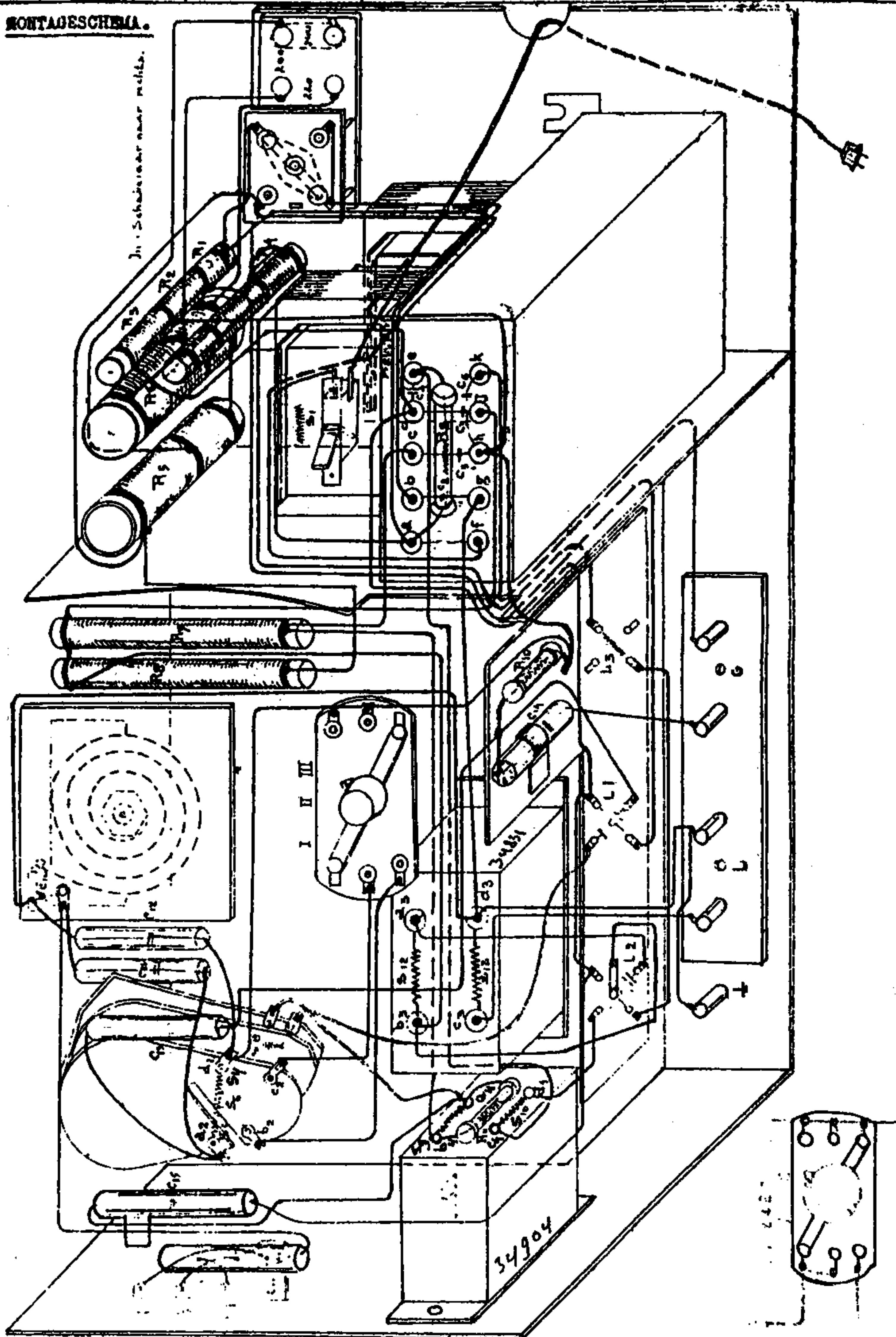
$$C_{13} = 170 \text{ CM}$$

$$C_{14} = 20.000 \text{ CM}$$

$$C_{15} = 1000 \text{ CM}$$

MONTAGESCHEMA.

In Schakelaar naar rechts.



Hier is niet goedkoop, maar ook niet te duur. Het is met goeddoel, om de kwaliteit te verbeteren en de levensduur te verlengen.