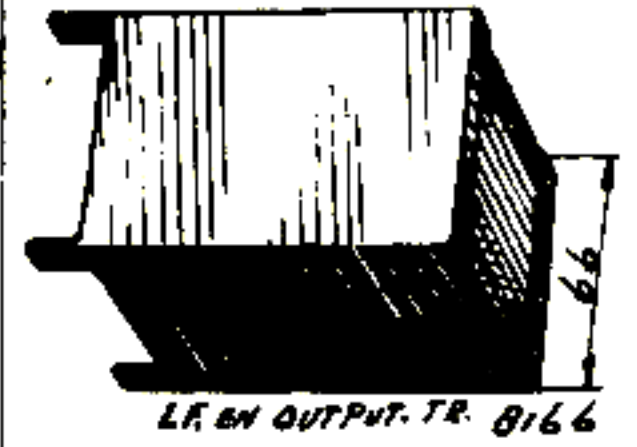


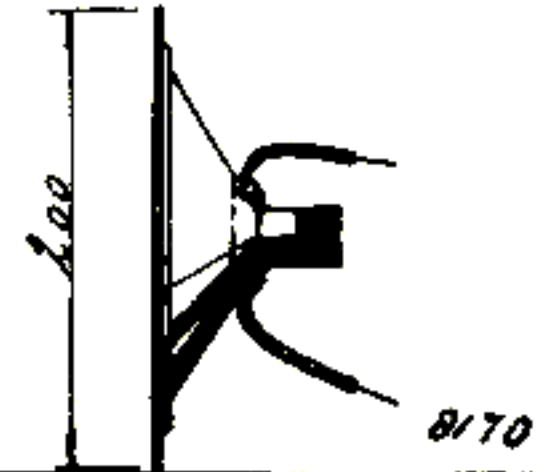
PALADIN 2411-2

25.869.280



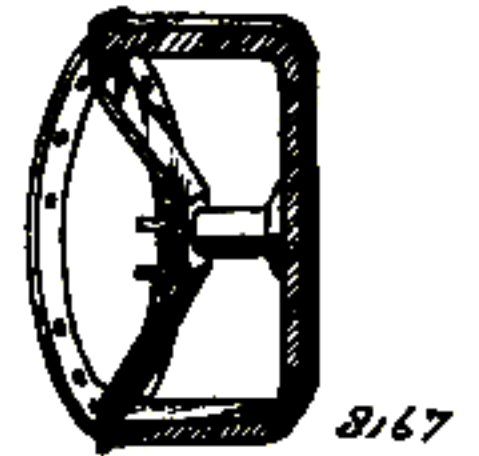
S16, S17, S18, S19

25.869.300

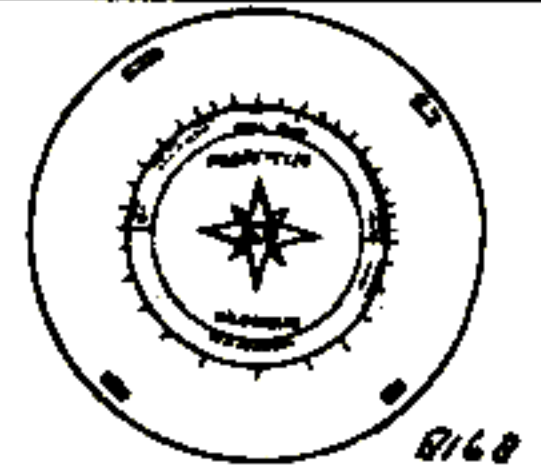


S20

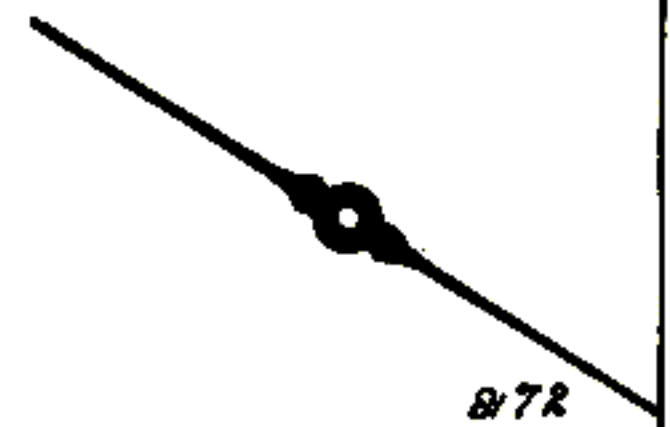
25.869.310



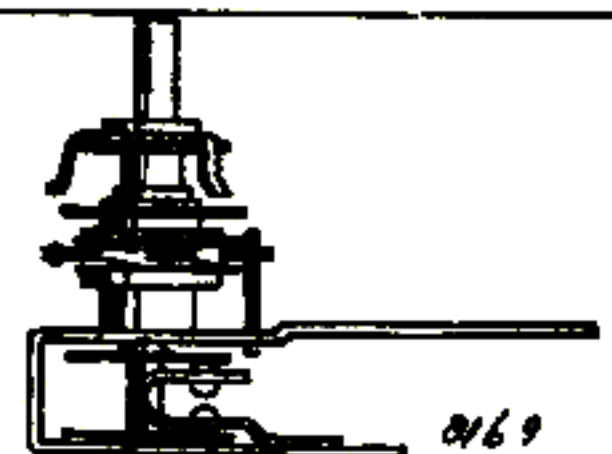
25.869.320



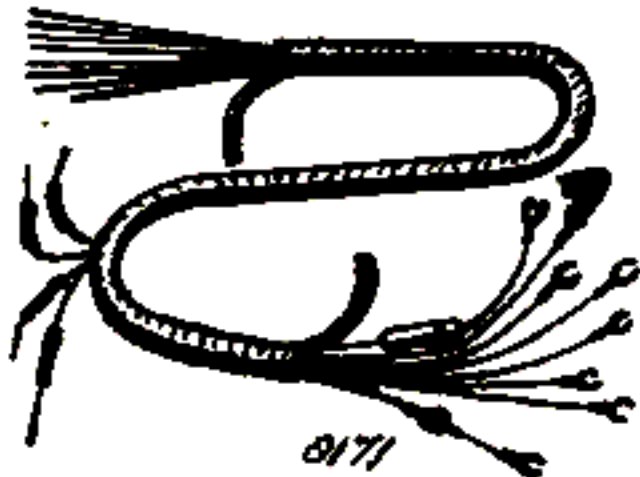
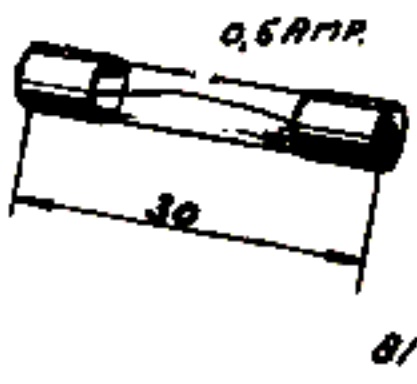
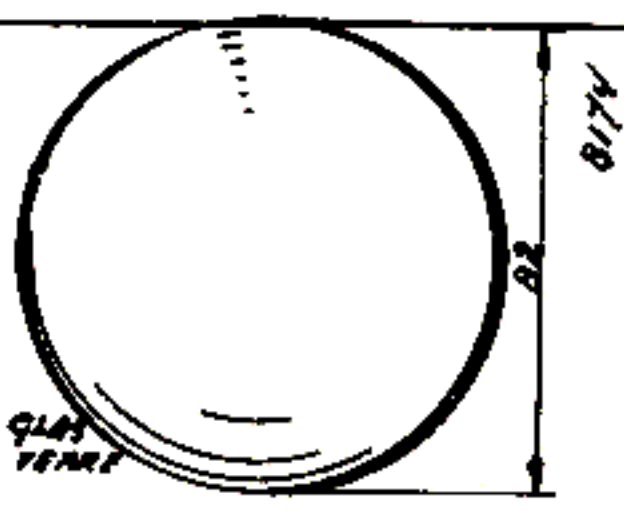

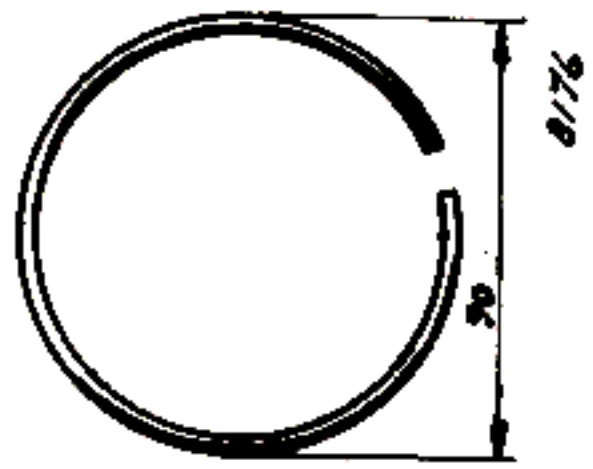
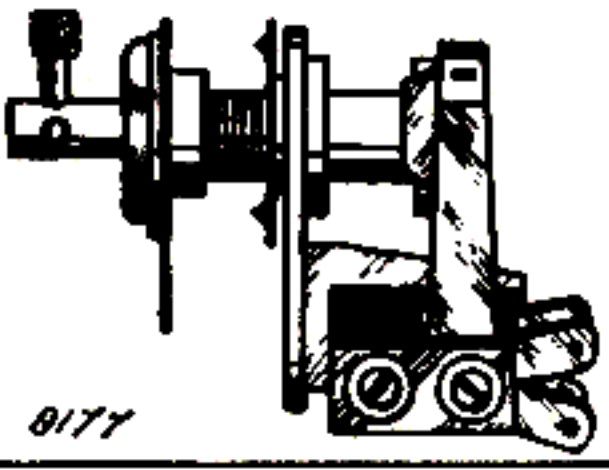
25.869.330



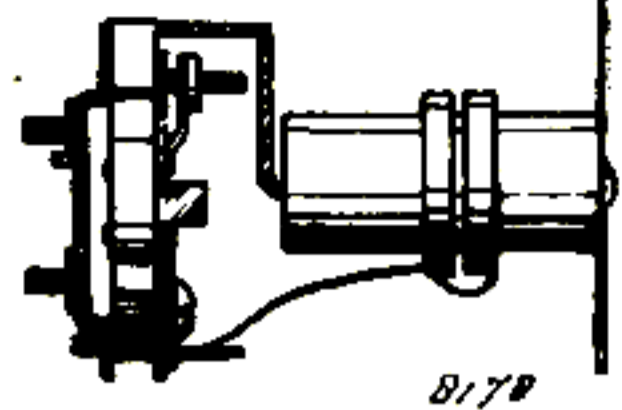
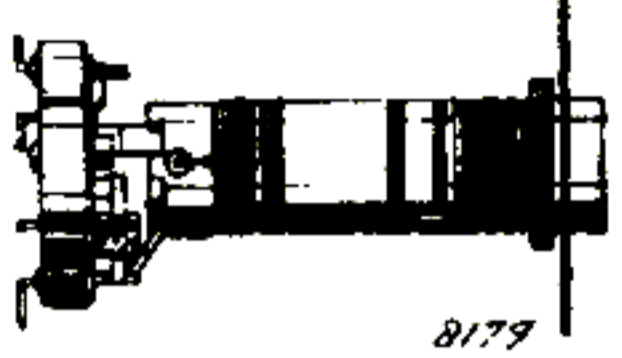
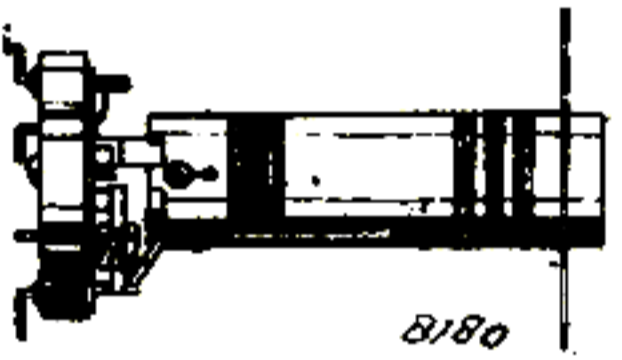
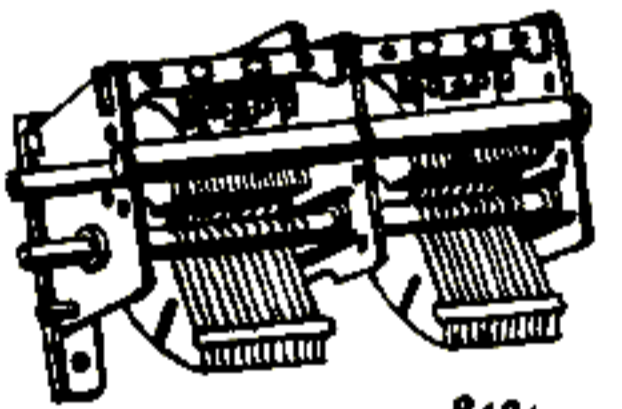
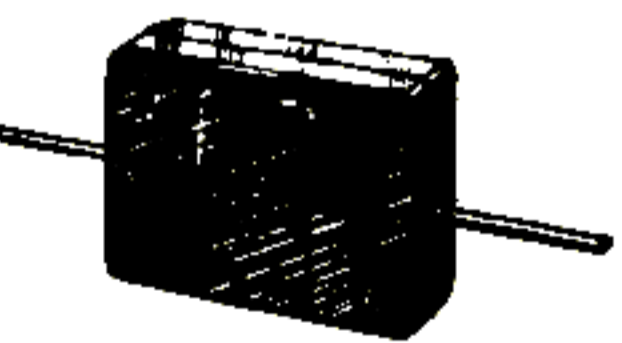
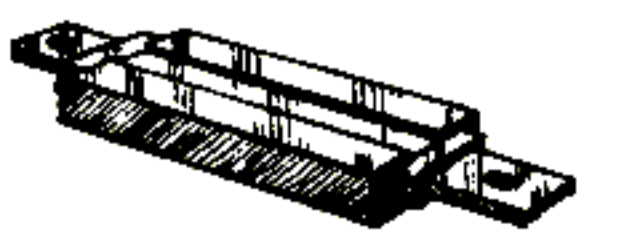
25.869.340



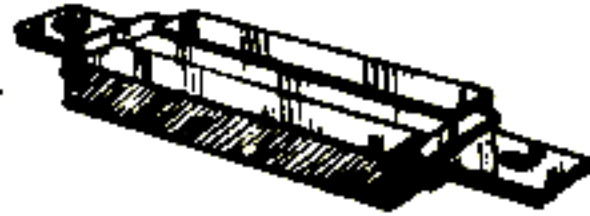
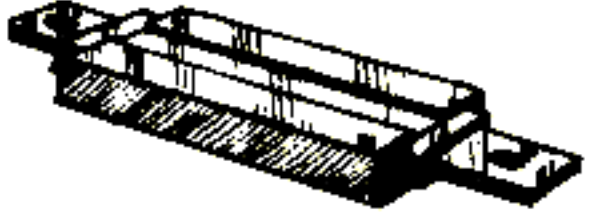

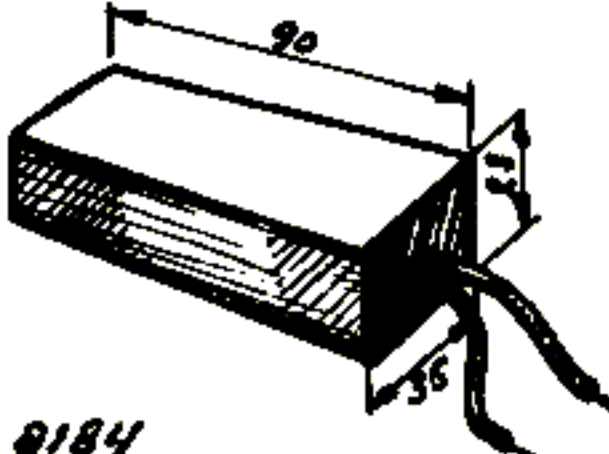


PALADIN 2411-3

						25.869.350	
						25.869.360	
						25.869.370	
						25.869.380	
						25.869.390	
						25.869.400	

PALADIN 2411-4

						25.869.410	 <p>8178</p>
							S1, C1, S2
						25.869.420	 <p>8179</p>
							S2, S3, S4, C3, C4
						25.869.430	 <p>8180</p>
							S6, S7, S8, S9
						25.869.440	 <p>8181</p>
							C6, C9; 11-450 $\mu\mu\text{F}$
						25.869.450	 <p>8182</p>
							C10 - 50 $\mu\mu\text{F}$
						25.869.460	 <p>8183</p>
							C11 - 3400 $\mu\mu\text{F}$

PALADIN 2411-5

						25.869.470	 8183
							C12 - 2400 μF
						25.869.480	 8183
							C16 - 360 μF
						25.869.490	 8164
							C17; 10-100 μF
						25.869.500	 8184
							C18 - 8 μF
						25.869.510	 8185
							C25 - 300 μF
						28.198.430	 6490
							C5 - 50000 μF

PALADIN 2411-6

28.199.210



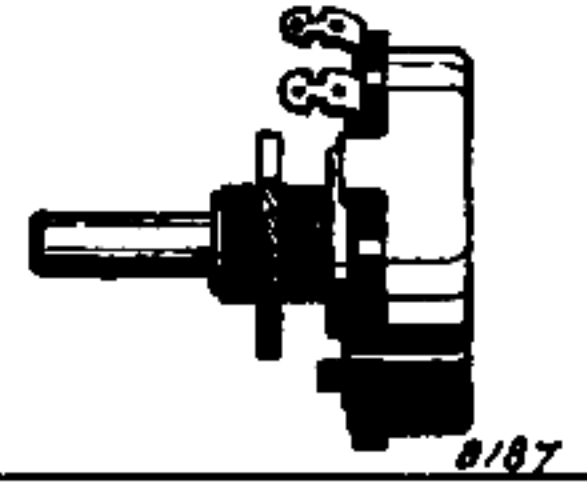
C33 - 2650 μ F

28.199.610



C88 - 0.1 μ F

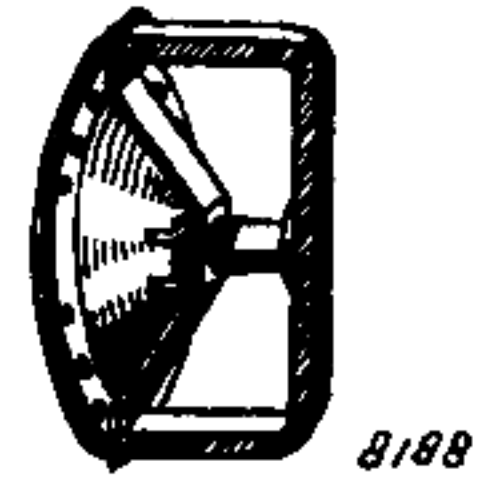
28.810.140



R14 - 0.5 Meg. ohm

00.023.680

Pas un article de Service
Kein Service Artikel
No Service part



User p. H.P. } Type 2368
Fabr. f. Lautspe. }
Te use f. Loudsp. }