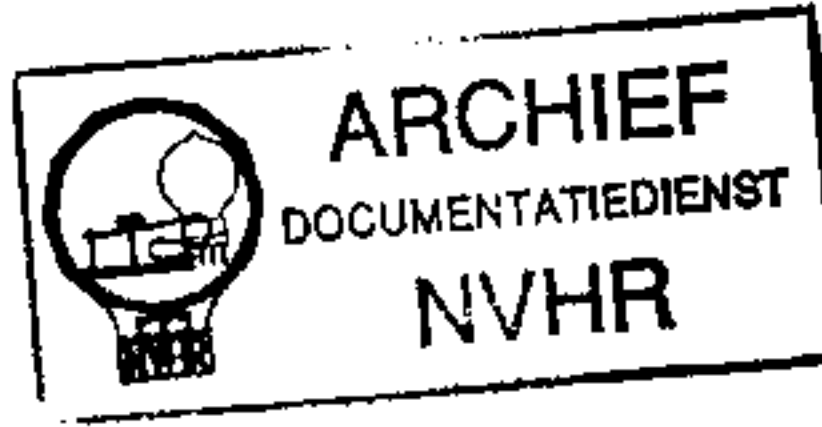


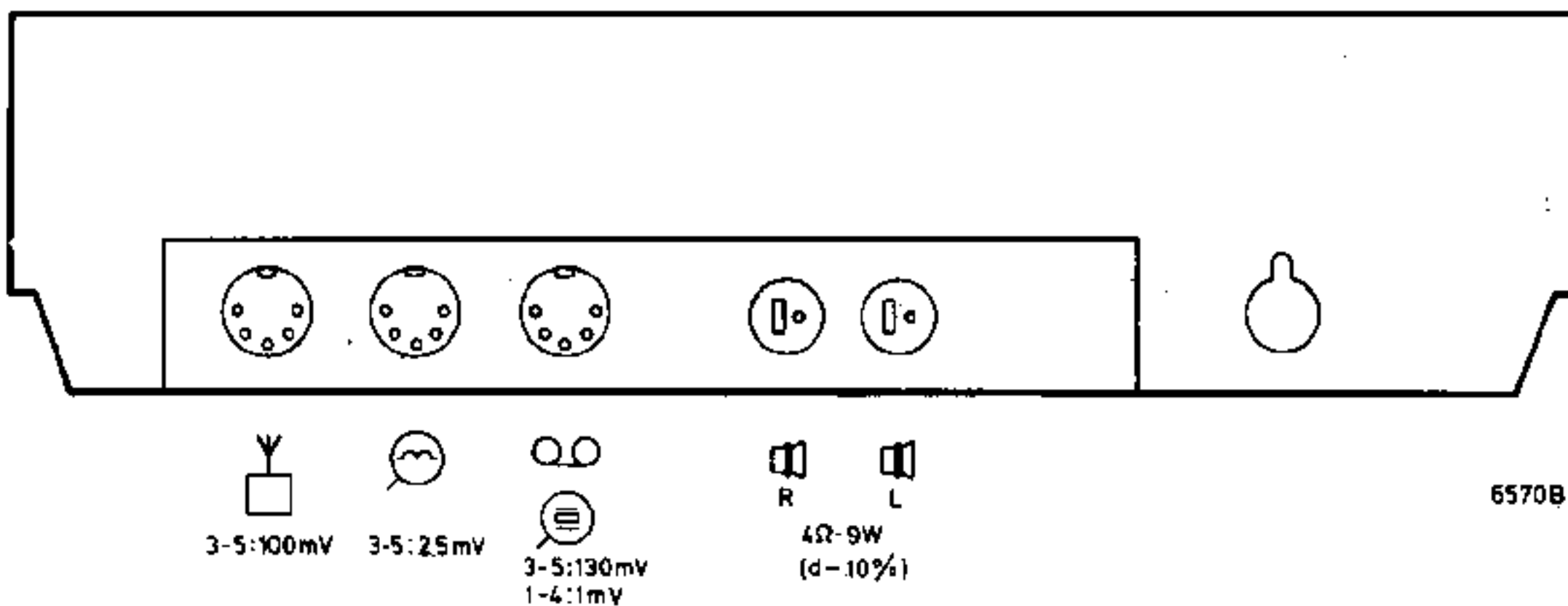
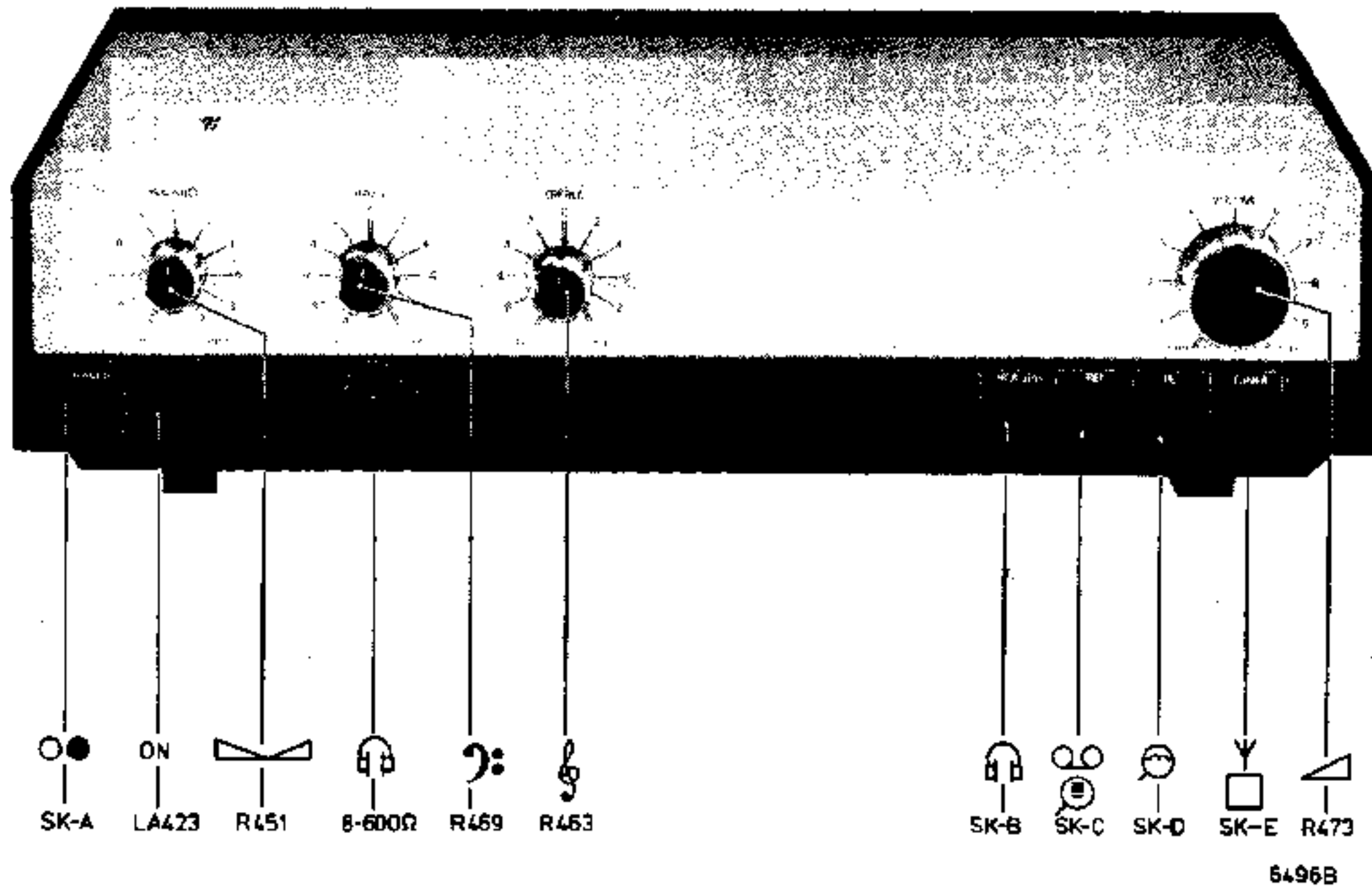
Service  
Service  
Service

Ned. Ver. v. Historie v/d Radio



Met dank aan [www.radiomuseum-hengelo.nl](http://www.radiomuseum-hengelo.nl)

# Service Manual



Safety regulations require that the set be restored to its original condition and that parts which are identical with those specified, be used.

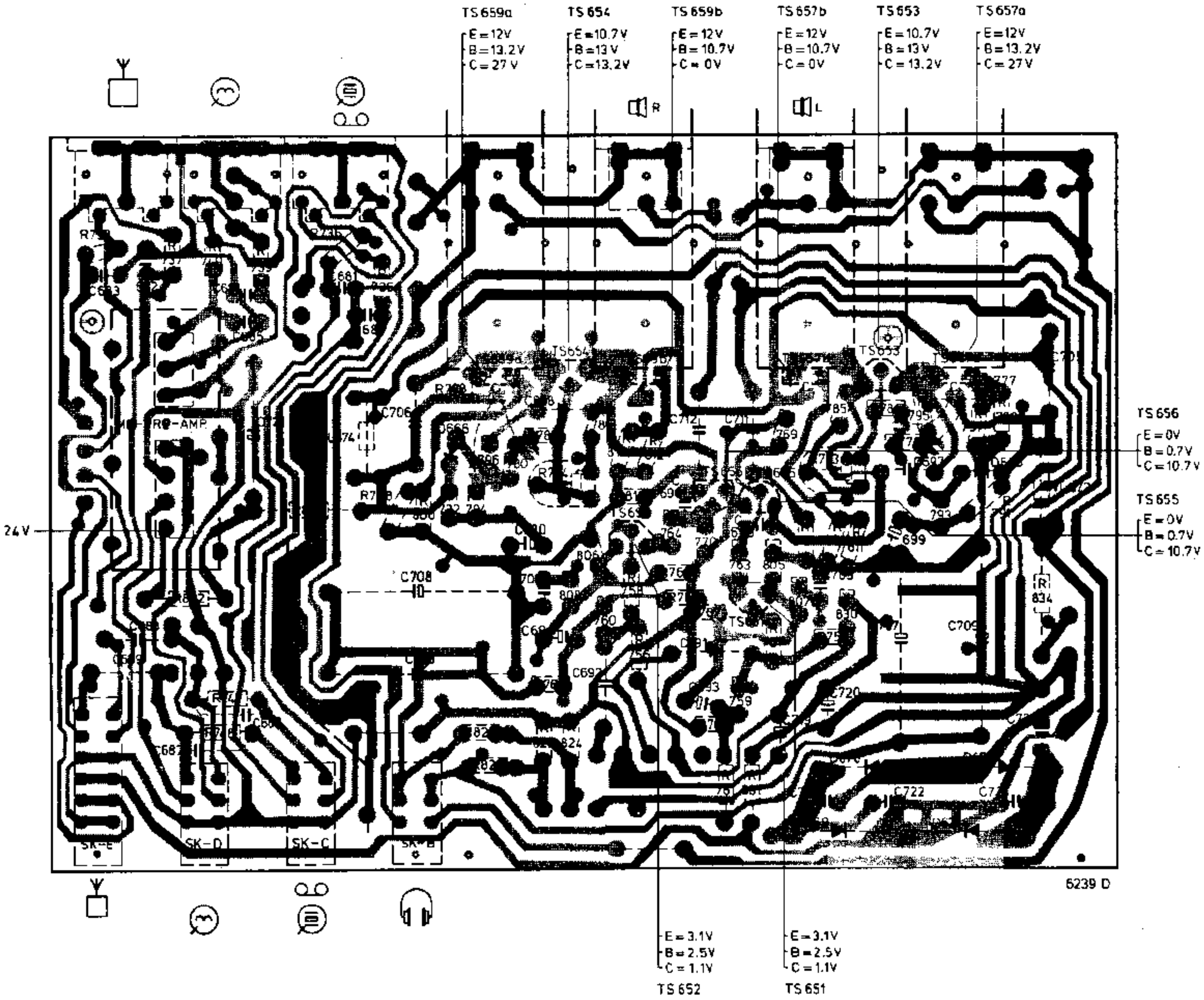
Documentation Technique Service Dokumentation Documentazione di Servizio Huolto-Ohje Manual de Servicio Manual de Servicio

Subject to modification  
4822 725 11565  
Printed in The Netherlands

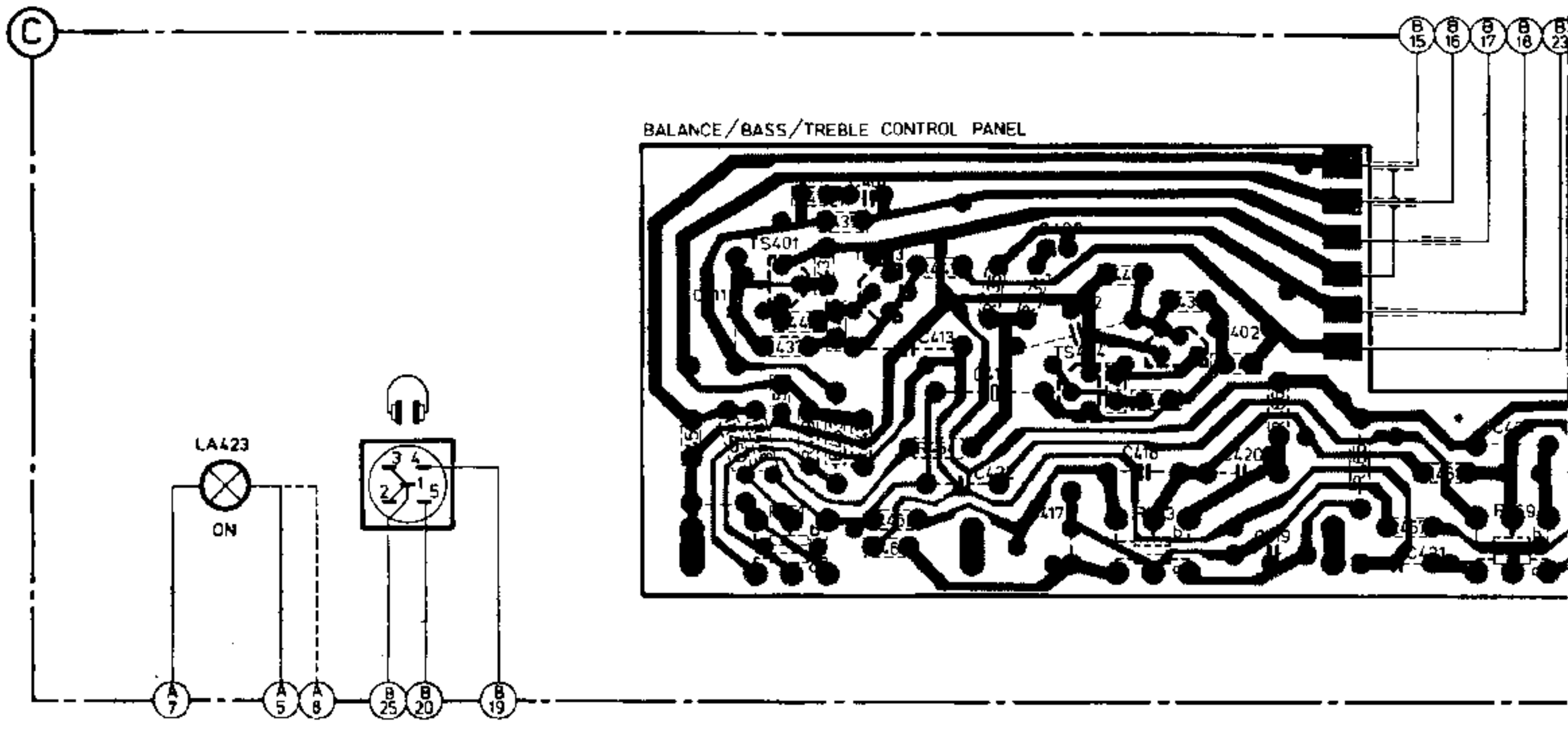
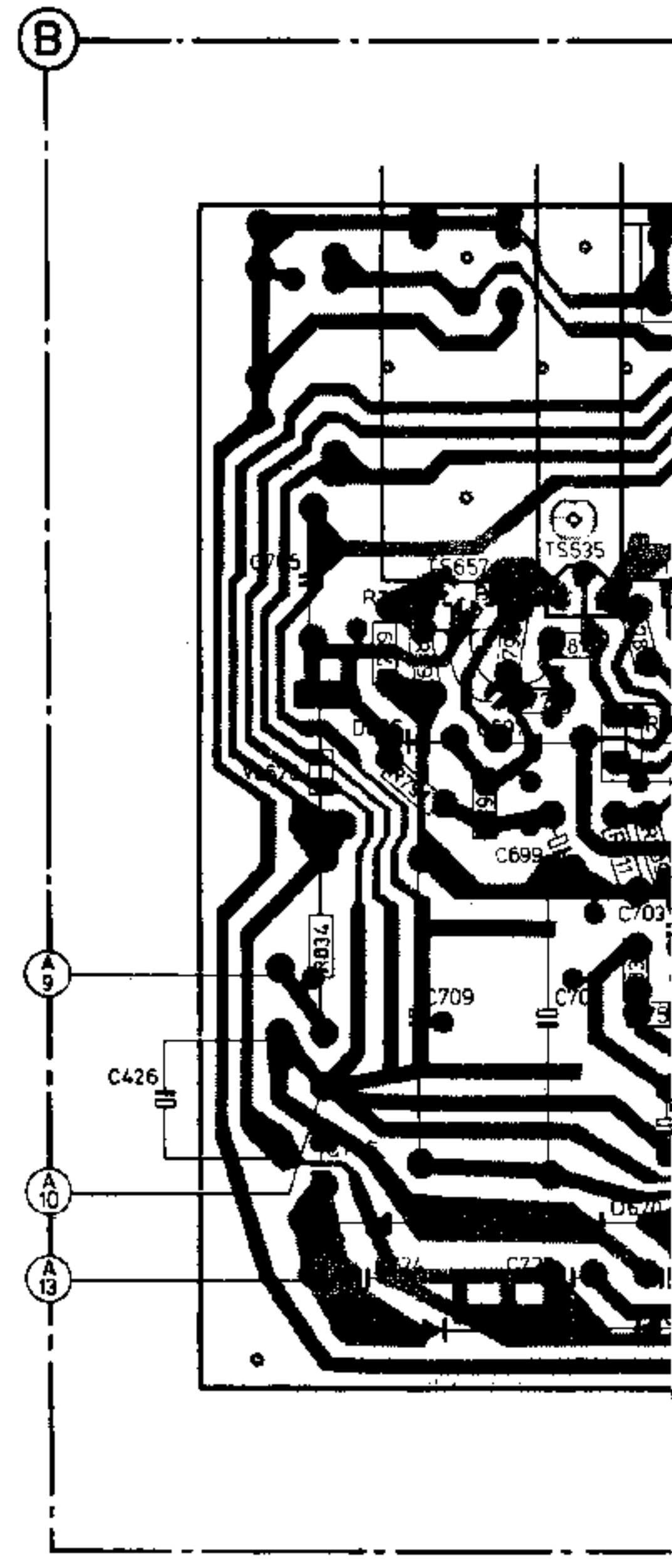
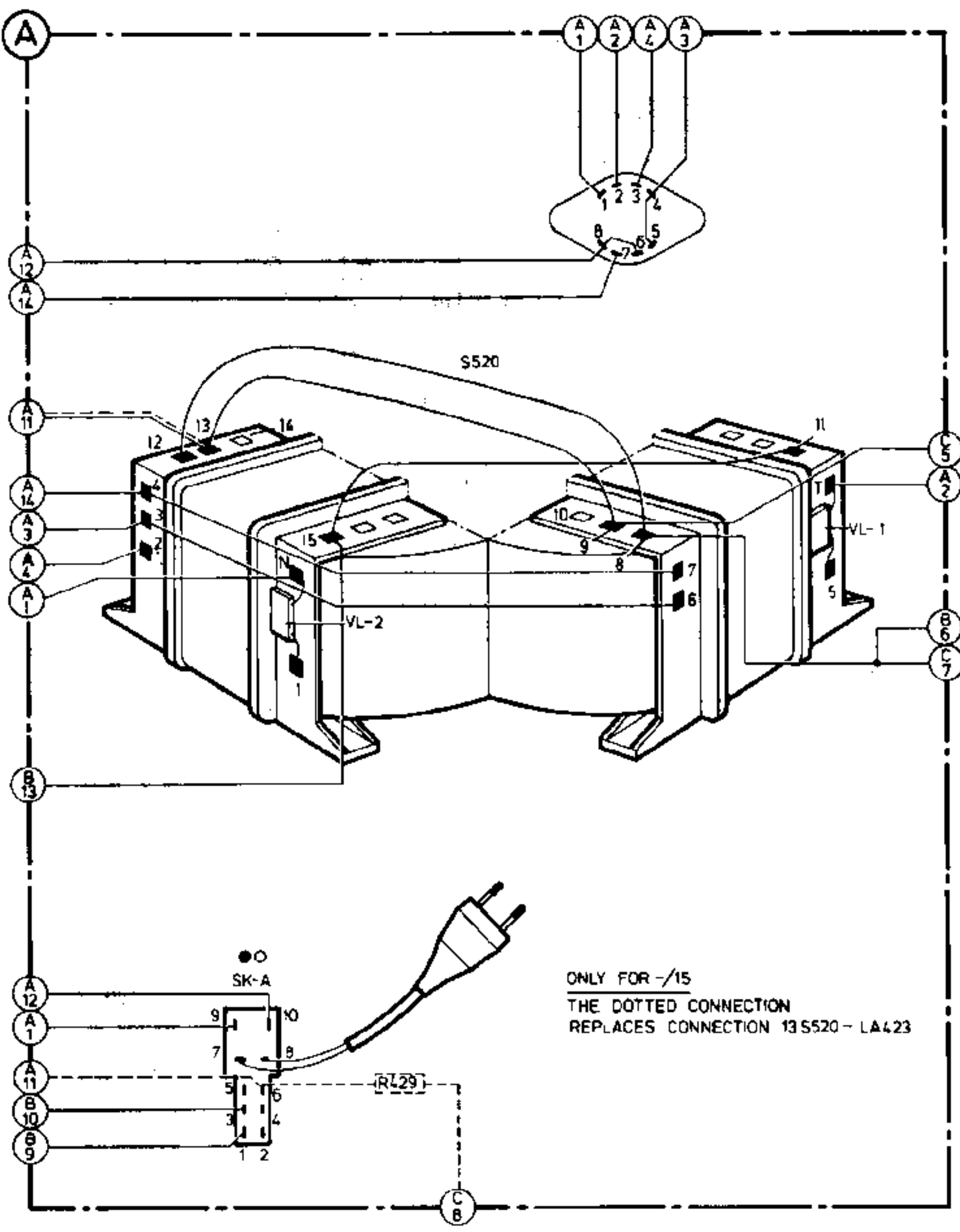
**PHILIPS**



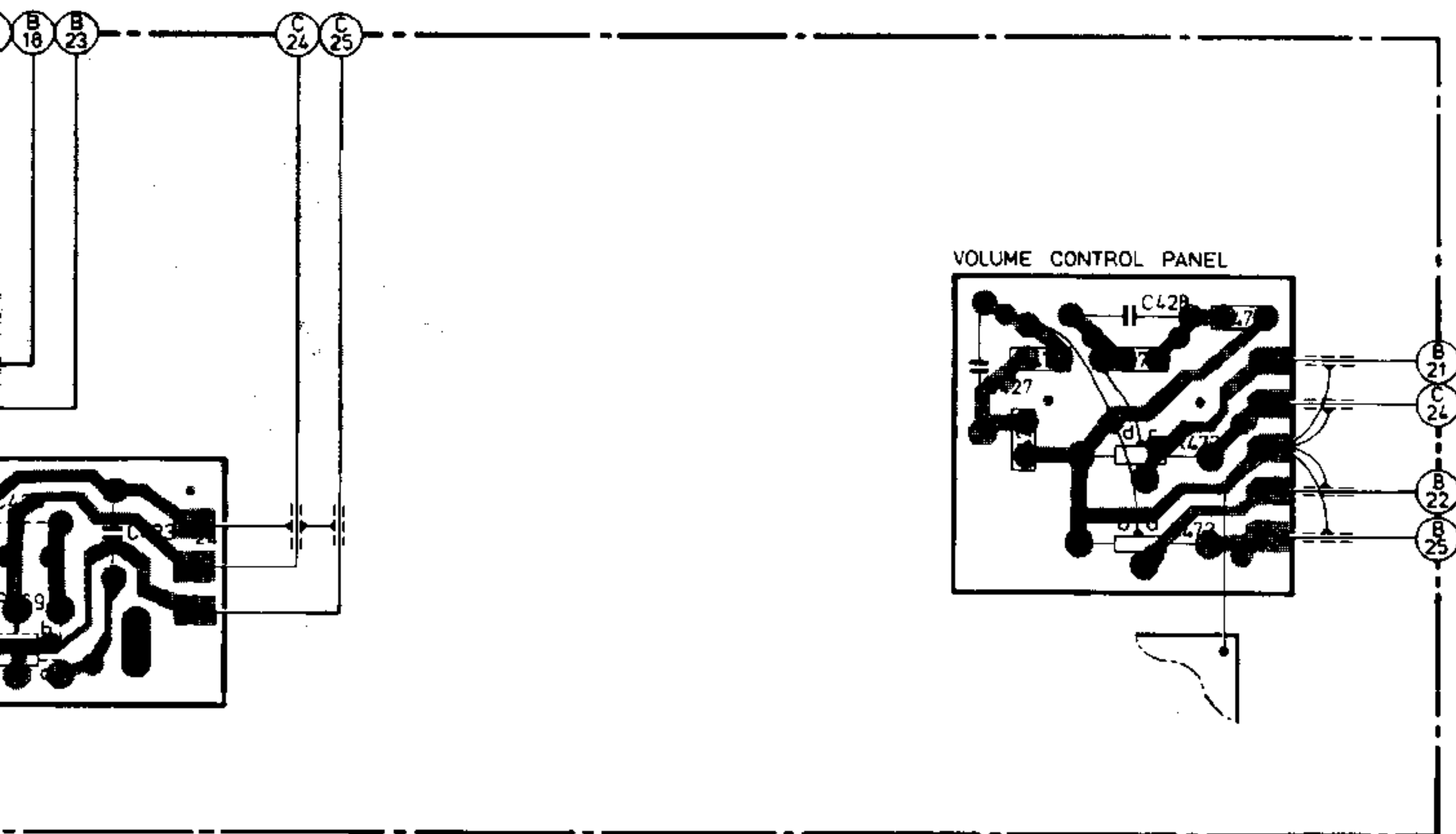
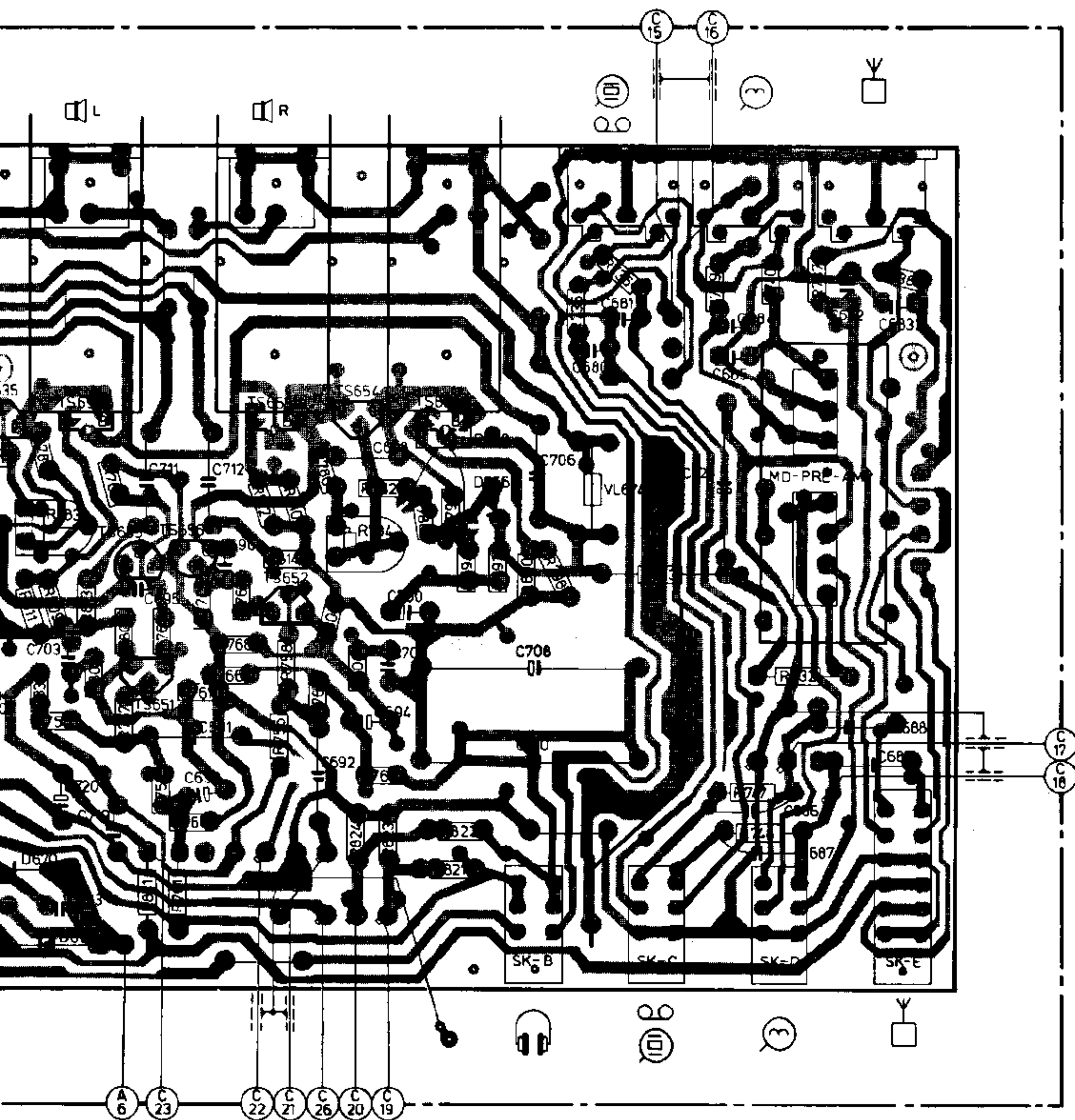
C	683	682	685 684 721	681 680	706	700 698	696 712	711 695	699 697	705
C	689 688 687	686	710 708	704 694	692	693 691	719 723 703 720	707 722	709 724	725
R	738	737 740	739, 833, 736, 735, 798, 800, 792, 794, 778, 796, 780, 782, 784, 806, 786, 810, 814, 812	770, 769, 813, 809, 783, 785, 811, 781, 779, 795, 793, 797, 791, 777, 799						
R	832 748 747								834	
MISC.	SK-E	SK-D	SK-C VL674	SK-B D666	TS659a	TS654, 652, 659b	TS656, 651, 655, 657b, D669, 670, TS653, 657a, D671, 672, 665, VL673			



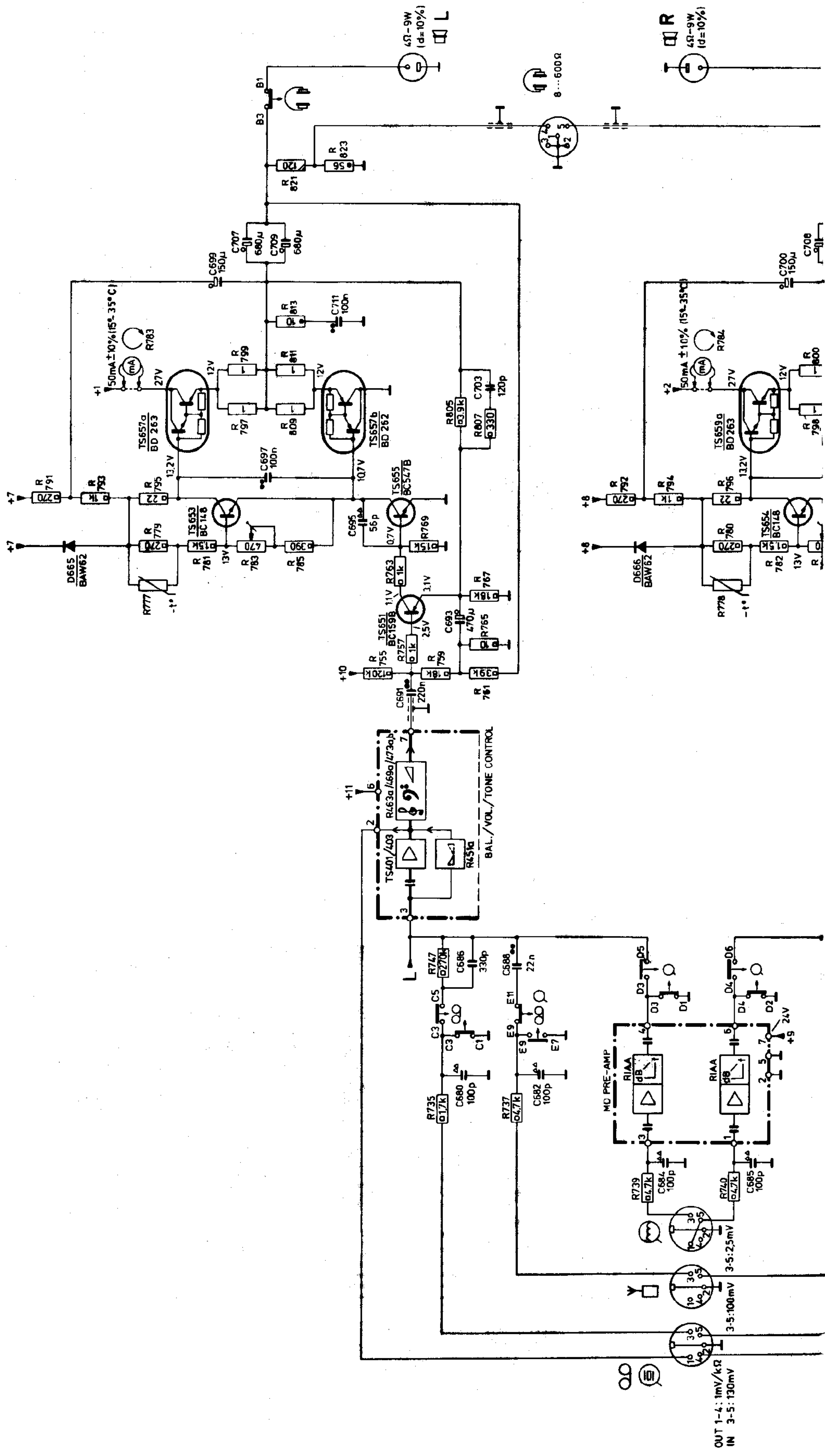
C			407		705	709	697	699	707	7
C		411	413, 414, 422, 417	412, 418, 408	420, 426, 419	725	724, 421, 424	722, 423	720	
R			433	434			799, 777, 791, 797, 793, 795, 779, 781, 811, 7			
R		429	456, 447, 451, 435, 437, 441, 445, 439, 443, 453, 455, 461, 462, 438, 440, 446, 444	834, 463, 442, 465, 469	830, 755, 80					
MISC.	VL-2		VL-1		VL673	D665	TS657a	TS653	TS	
MISC.	LA423	S520	TS401	TS403	TS404	TS402	D672, 671	D670, 669		



707	703	695 711	712 696	694 698	700 704	708 706	680 681	721 684 685 686 687 682	683	688 689	C
3	720	723 719	691 693	692		710		427 428			C
79781.811	785.783	809.813.769.770	812.814.810.786.806.784.782.780.796.778.794.792.800.798.735.736.833.739	740	737	738					R
30.755.807.805.757.831.759.761.763-768.765.758.760.808.762.821-824								747 748 832	471-475		R
53	TS657b	TS655	TS656	TS659b.652.654	TS659a	D666	VL674				MISC.
D670.669	TS651										MISC.



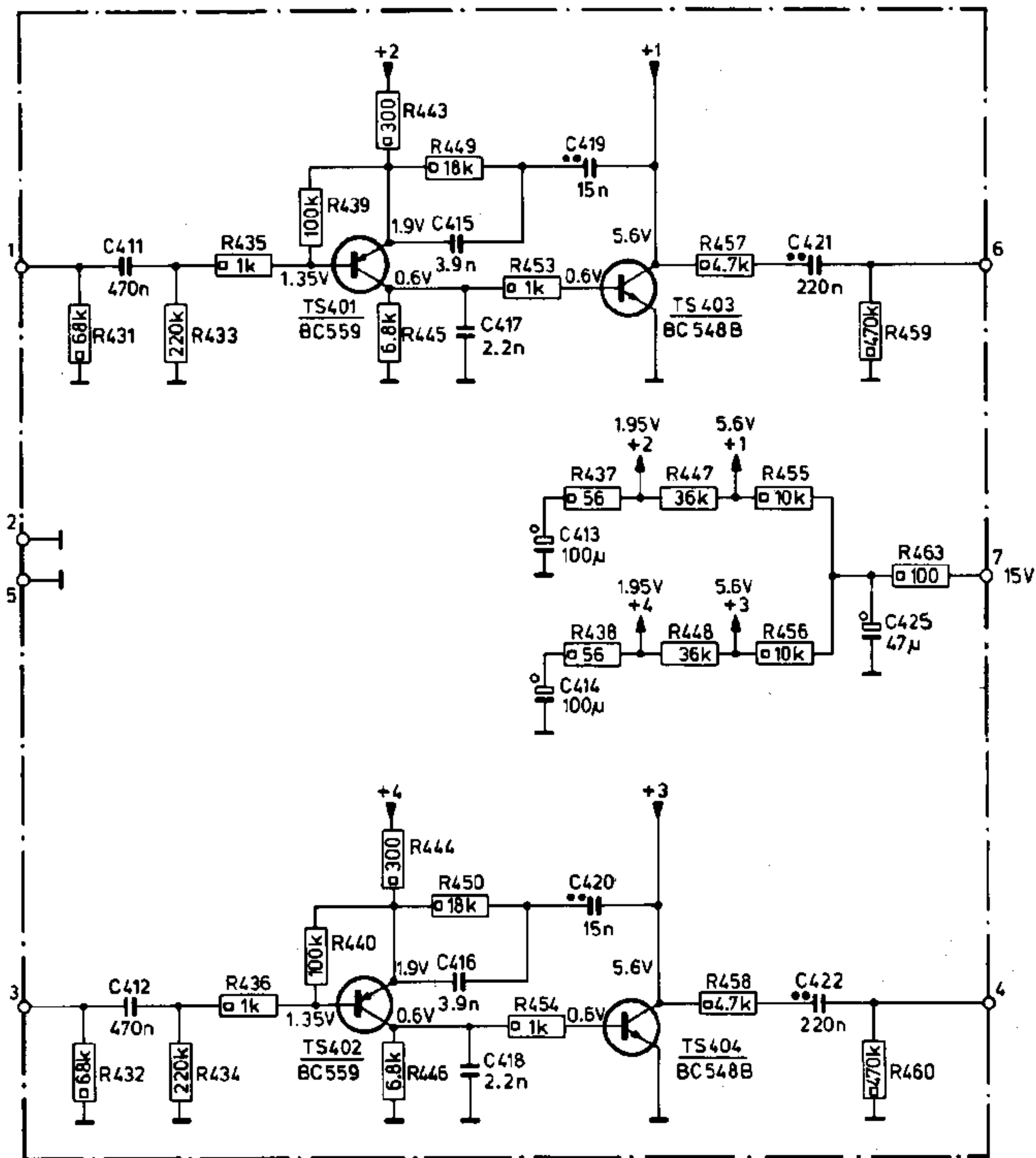
R	739 740	735...738	747 748	4510-b, 4630-b, 4690-b, 4730a, b, c, d, 830...834, 755...770	777...786	791...796	797...800	805...814	829	821-824	R
C	684 685	680...683	686-689	705 706	693 694	695 696	697 698	703 704	711 712	699 700	C
MISC.				TS401...404	VL673, 674	TS651...656	D665, 666, 669...672, TS657a-b	6590-b	LA423	548	MISC.



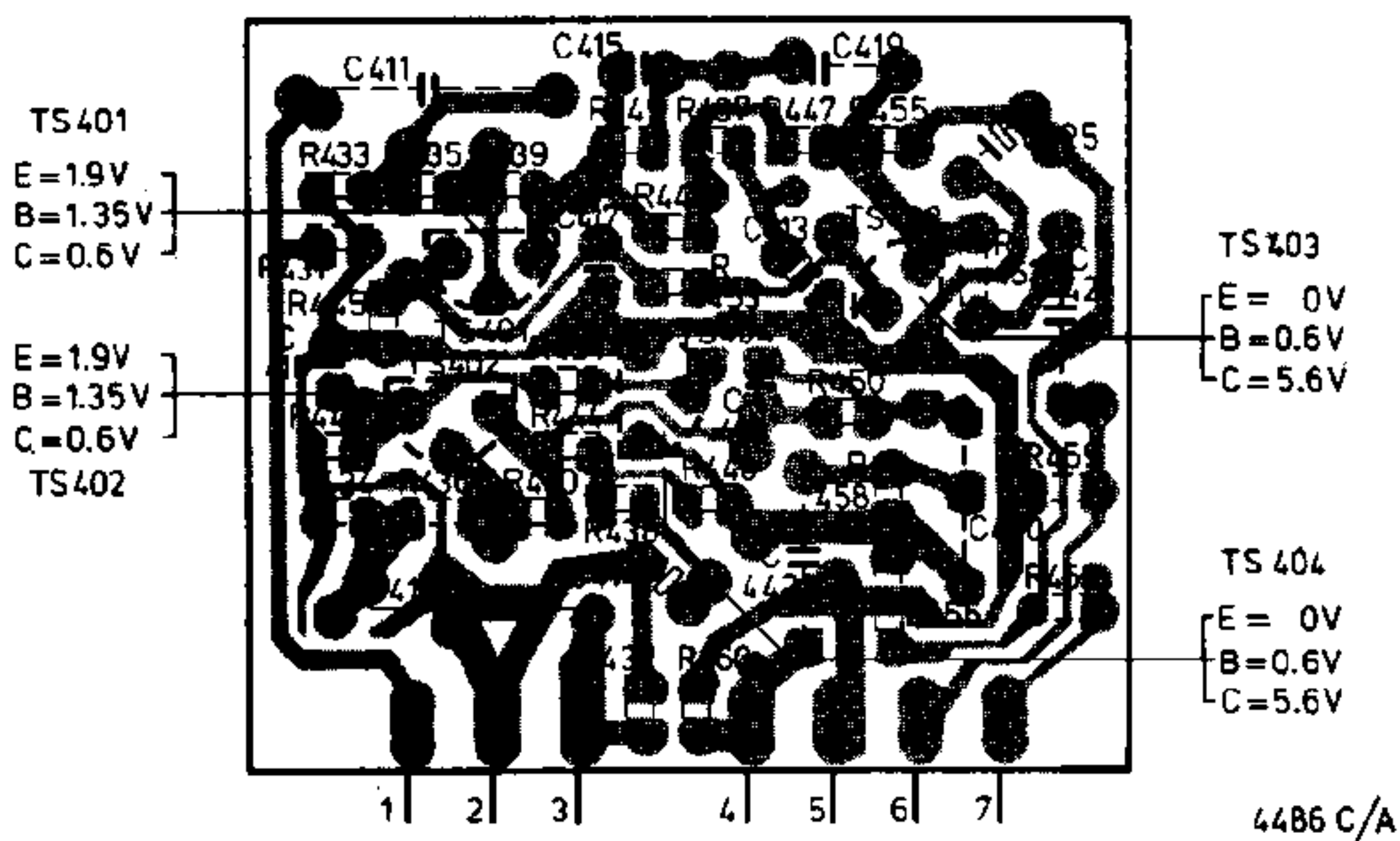




# M.D. PRE-AMPLIFIER

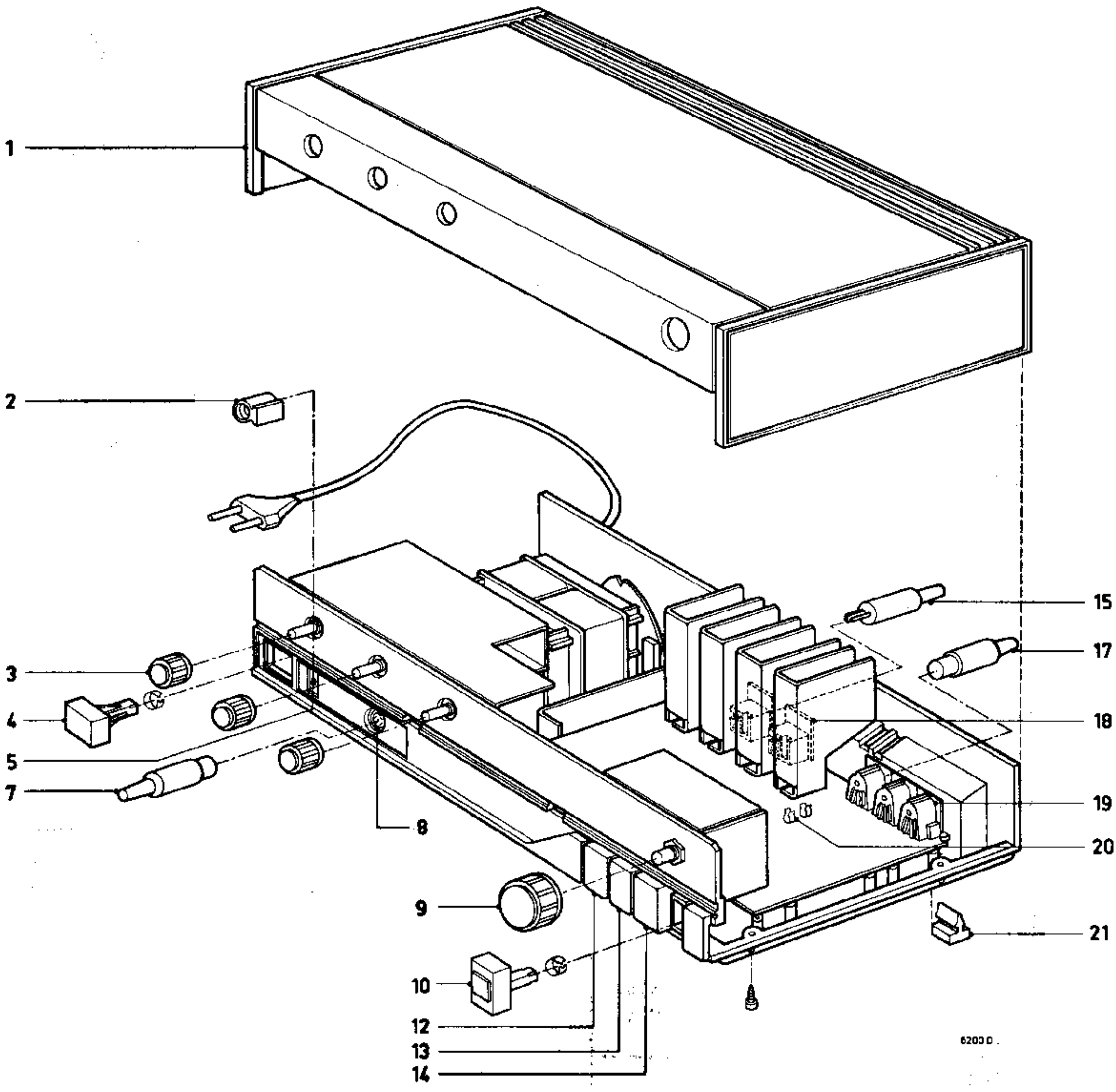


VOLTAGES HAVE BEEN MEASURED AT A SUPPLY VOLTAGE OF 15V.









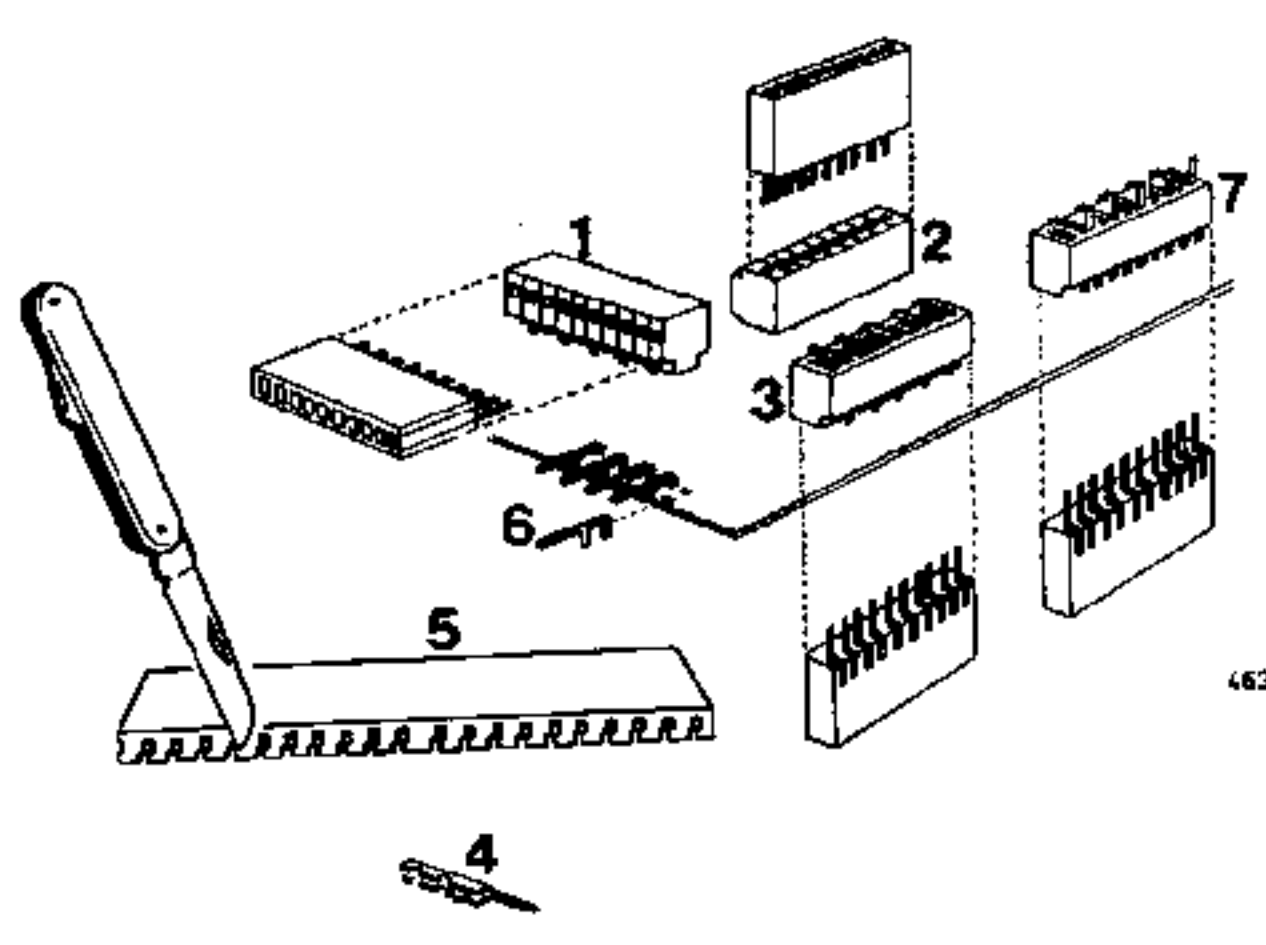
6203 D

**MECHANICAL PARTSLIST**

1	4822 426 40056	8	4822 267 40215	15	4822 264 30041
/28	4822 426 40057	9	4822 413 50875	17	4822 264 40023
2	4822 255 10007	10	4822 410 40058	18	4822 267 30264
3	4822 413 30619	12	4822 410 40055	19	4822 267 40209
4	4822 410 20282	13	4822 410 40056	20	4822 492 60063
5	4822 381 10425	14	4822 410 40057	21	4822 462 70993
7	4822 264 40092				

Item	Code number
1	5322 267 64027 (10p)
2	4822 267 50209 (10p)
3	4822 267 50211 (10p)
4	4822 268 10107
5	5322 267 64007 (20p)
6	5322 264 54017

**AMP - CONNECTORS**



4632A/B

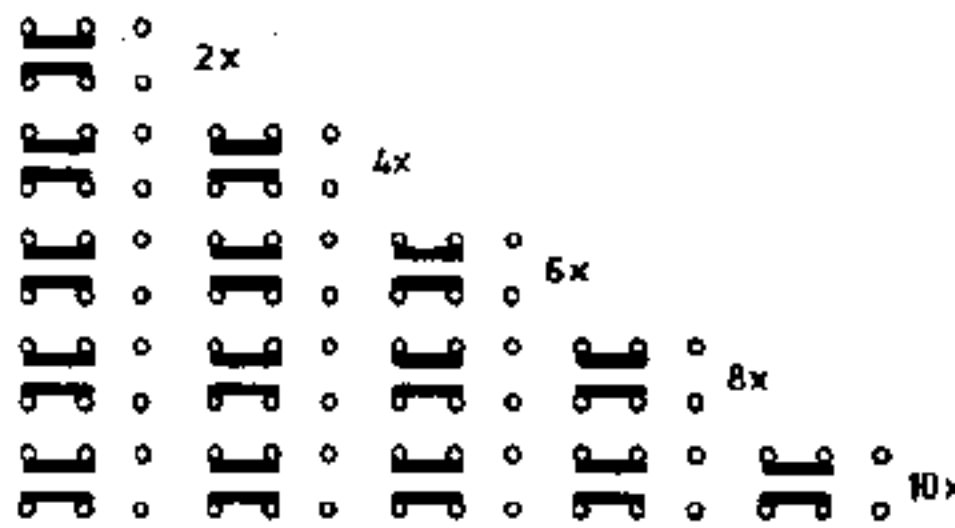


PUSH-PUSH

4822 276 10558

4822 276 10562

4822 276 10561



4822 276 10543

4822 276 10544

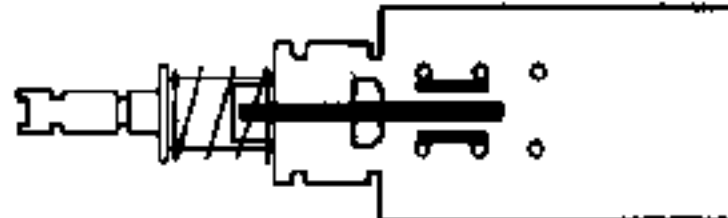
4822 276 10545

4822 276 10546

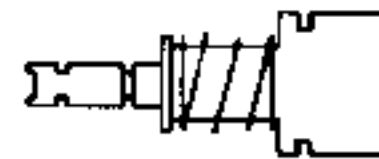
4822 276 10547



PUSH-PULL



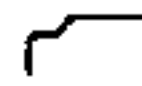
4822 276 10539



4822 276 10559



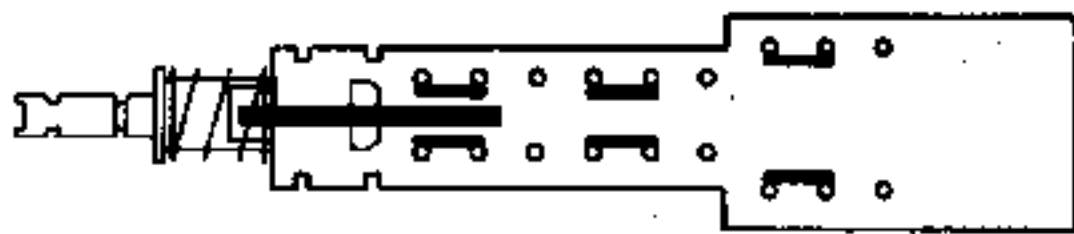
4822 276 10541



4822 404 10233  
bracket for transforming a push-pull  
switch into a push-push one



4822 404 10234



4822 276 10542

6382B

ELECTRICAL PARTS LIST

- TS -					- DIV -		
651,652	BC159B	5322 130 40716			S418	Mainstransformer	4822 146 20503
653,654	BC148	5322 130 40318			LA423	6 V - 50 mA	4822 134 40326
655,656	BC547B	4822 130 40959			VL673,674	1,25 A - slow	4822 253 30022
657,659	PAIR BD262/263	4822 130 41027			U407	MD- préamplifier	4822 212 40021
401,402	BC149B	5322 130 40313					
403,404	BC158A	5322 130 40614					
- D -							
665,666	BAW62	5322 130 30613					
669,670,671,672	BY126	5322 130 30192					
- C -							
686,687	330 pf	5322 121 54077					
703,704	2200 pf	4822 122 30114					
721,722,723,724	22000 pf	4822 122 30103					
421,422	3900 pf	4822 121 40401					
427,428	150 nf	4822 121 40104					
426	3300 uF - 40 V	4822 124 70237					
- R -							
451	potmeter 100k + 100k	4822 102 30209					
463,469	potmeter 47k + 47k	4822 102 30211					
473	potmeter 80k + 20k	4822 103 20235					
777,778	NTC	4822 116 30087					
783,784	trimpotmeter 470 Ω	4822 100 10038					
797...800	1 Ω - 1/4 W	4822 110 53027					
809...812							
832	360 Ω - 1/4 W	4822 111 30452					
834	safety-res. 27Ω-1/4W	4822 111 30003					
429 -/15	1 Ω - 1/4 W	4822 110 63027					