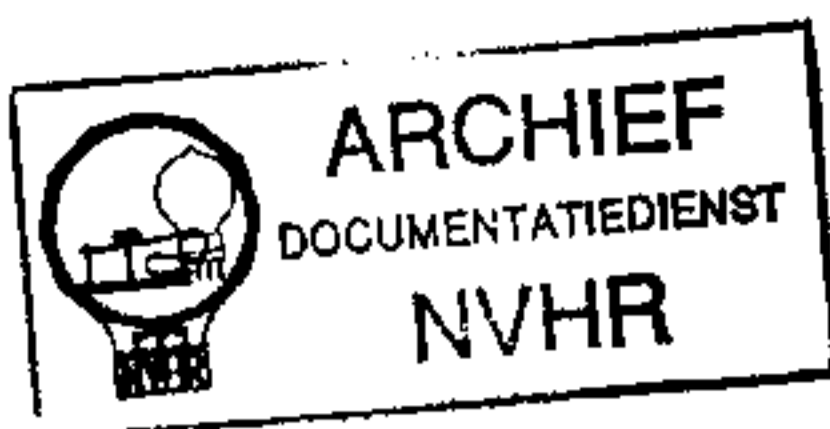


Service
Service
Service

Ned. Ver. v. Historie v/d Radio

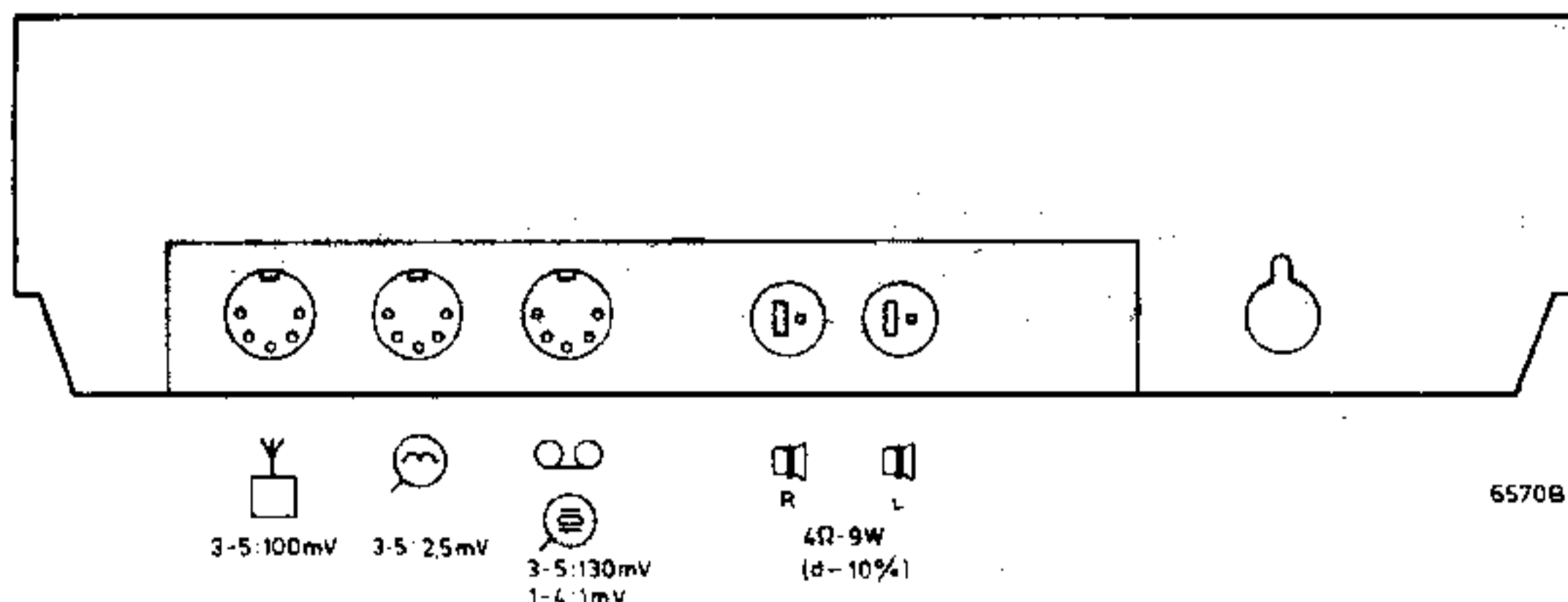
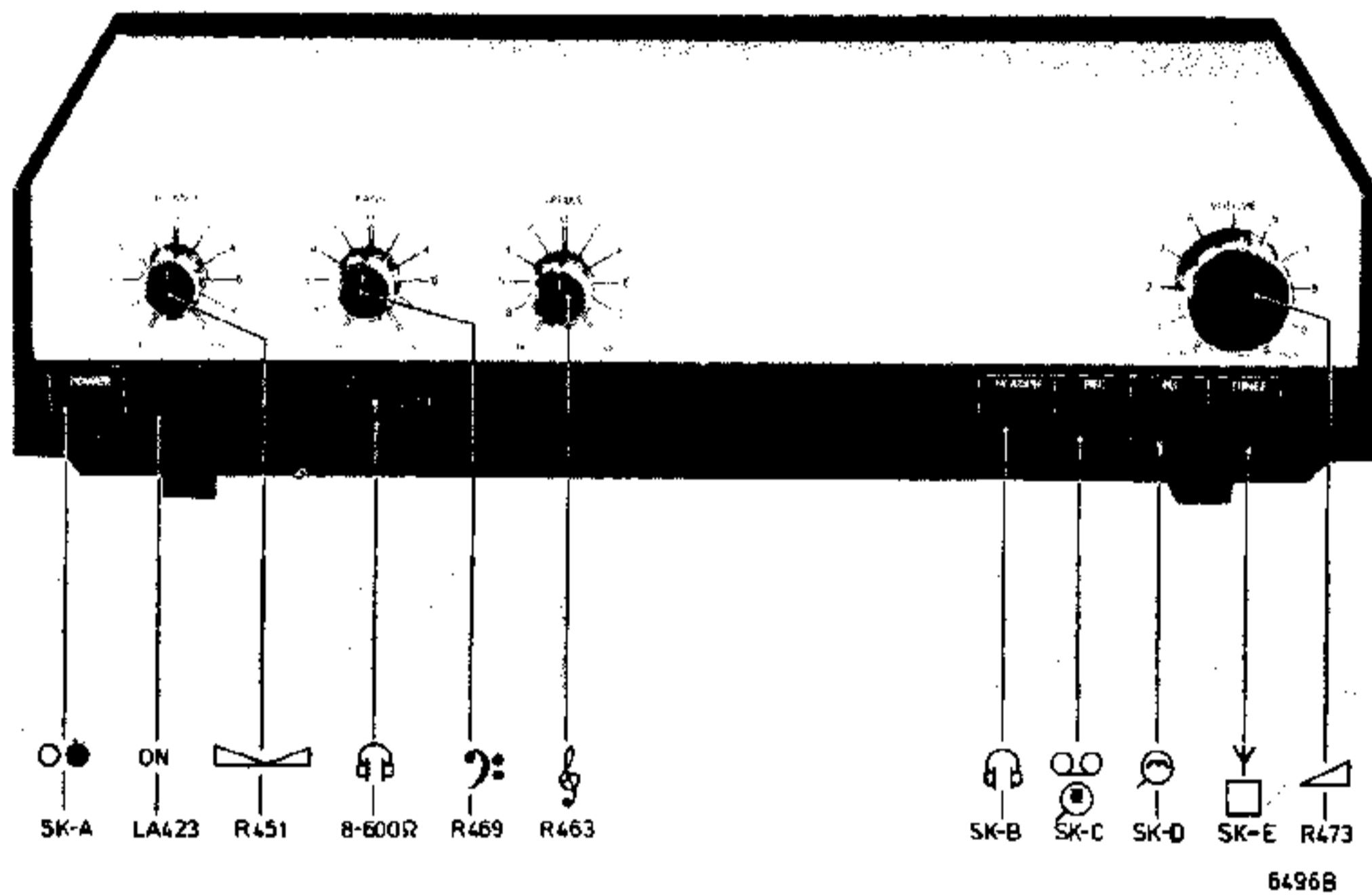
FROM CODE PL03



SUPPLEMENT

Met dank aan www.radiomuseum-hengelo.nl

Service Manual



Safety regulations require that the set be restored to its original condition and that parts which are identical with those specified, be used.

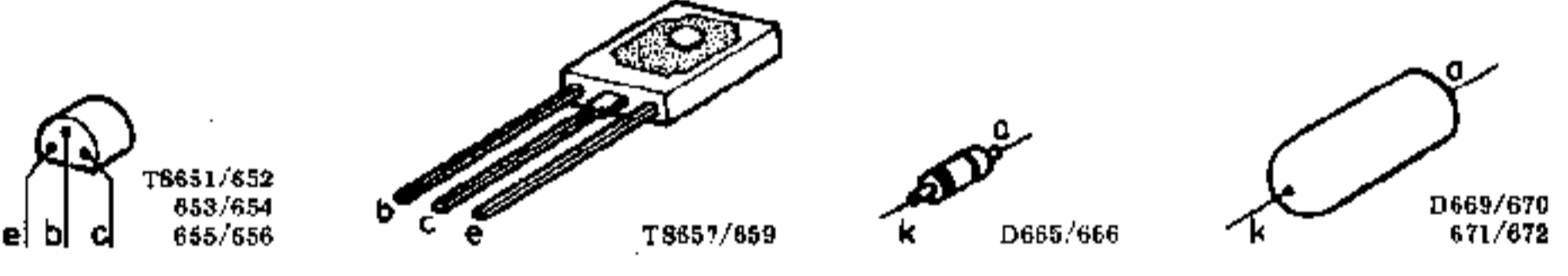
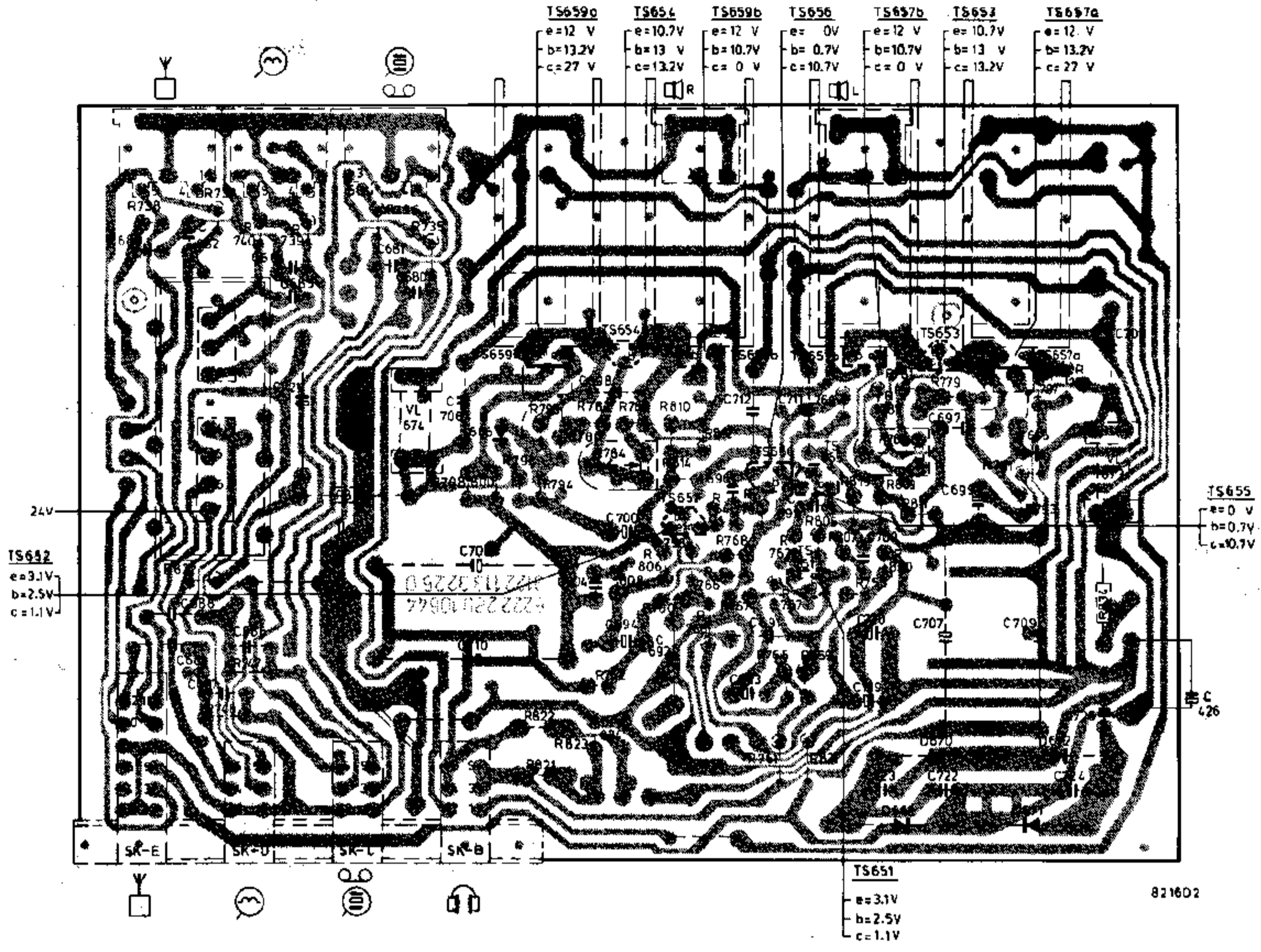
Documentation Technique Service Dokumentation Documentazione di Servizio Huolto-Ohje Manual de Servicio Manual de Servicio



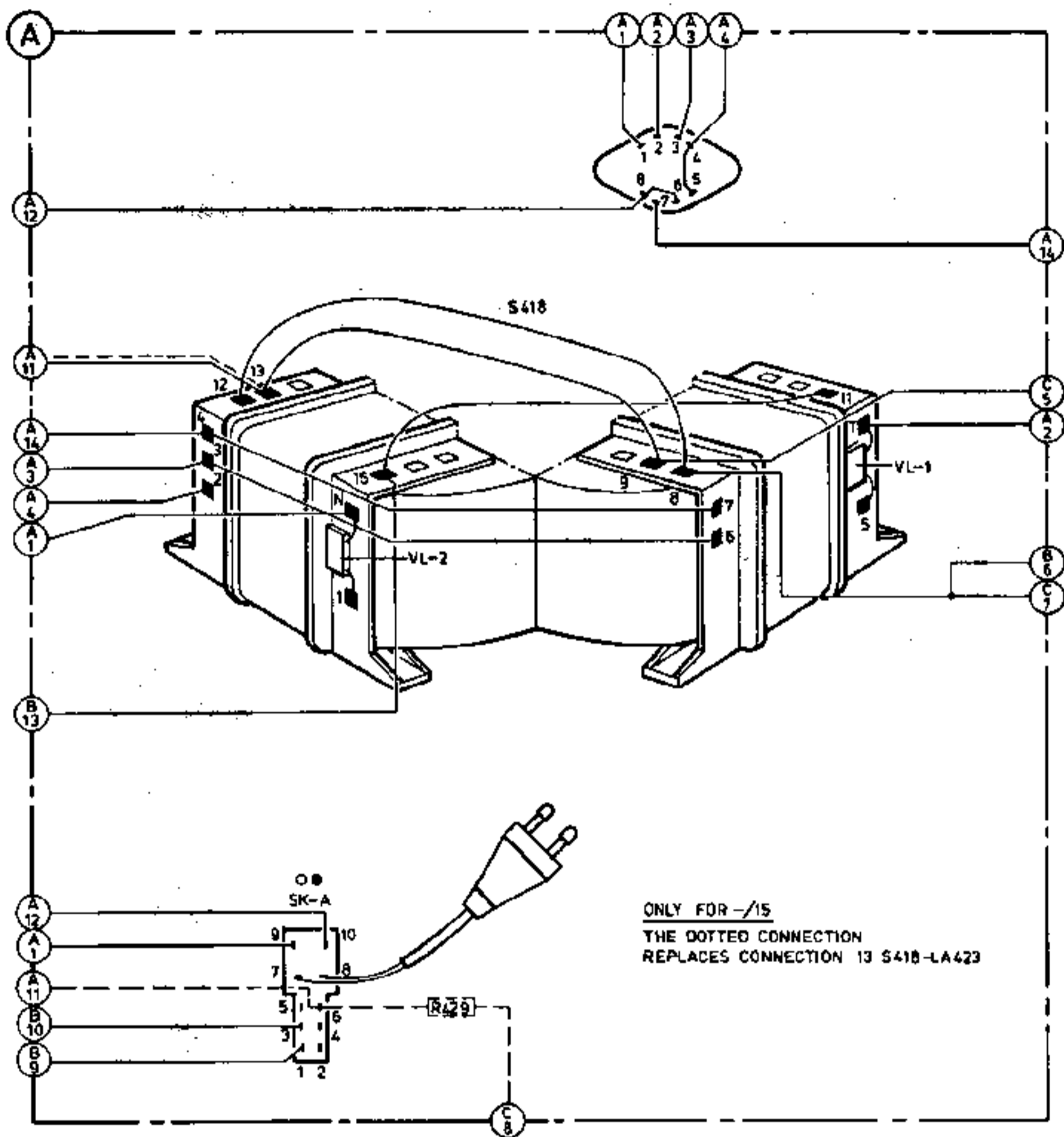
Subject to modification
4822 725 11829
Printed in The Netherlands

PHILIPS

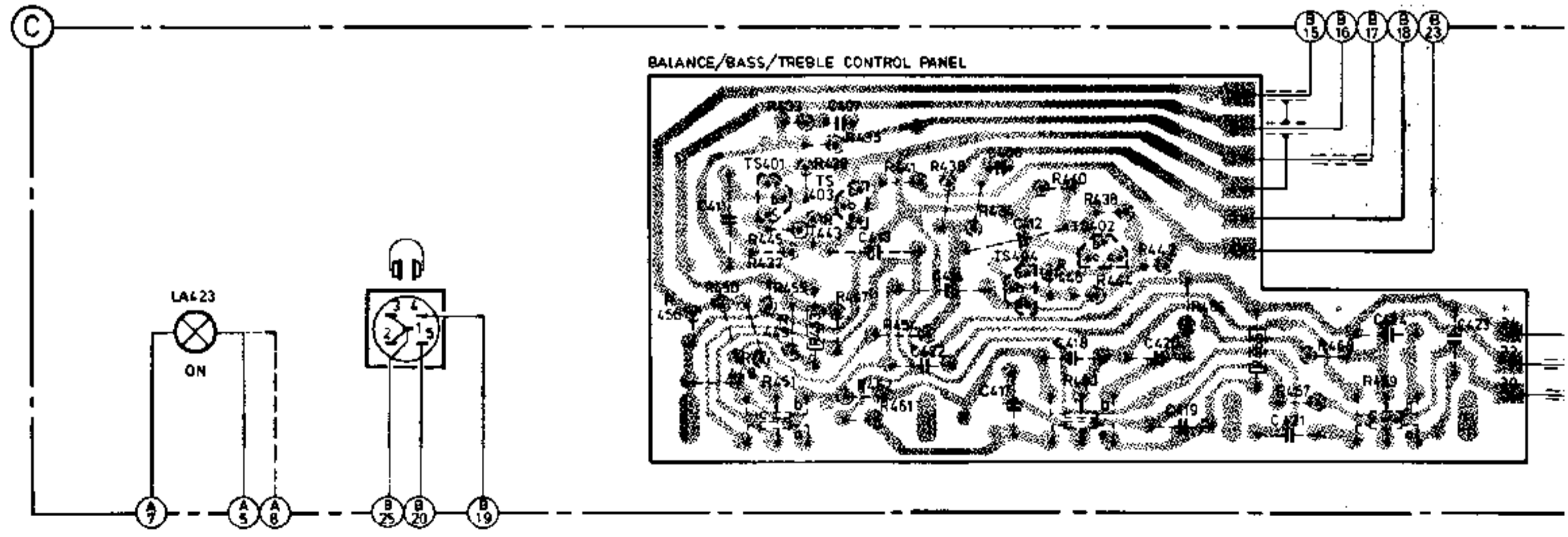
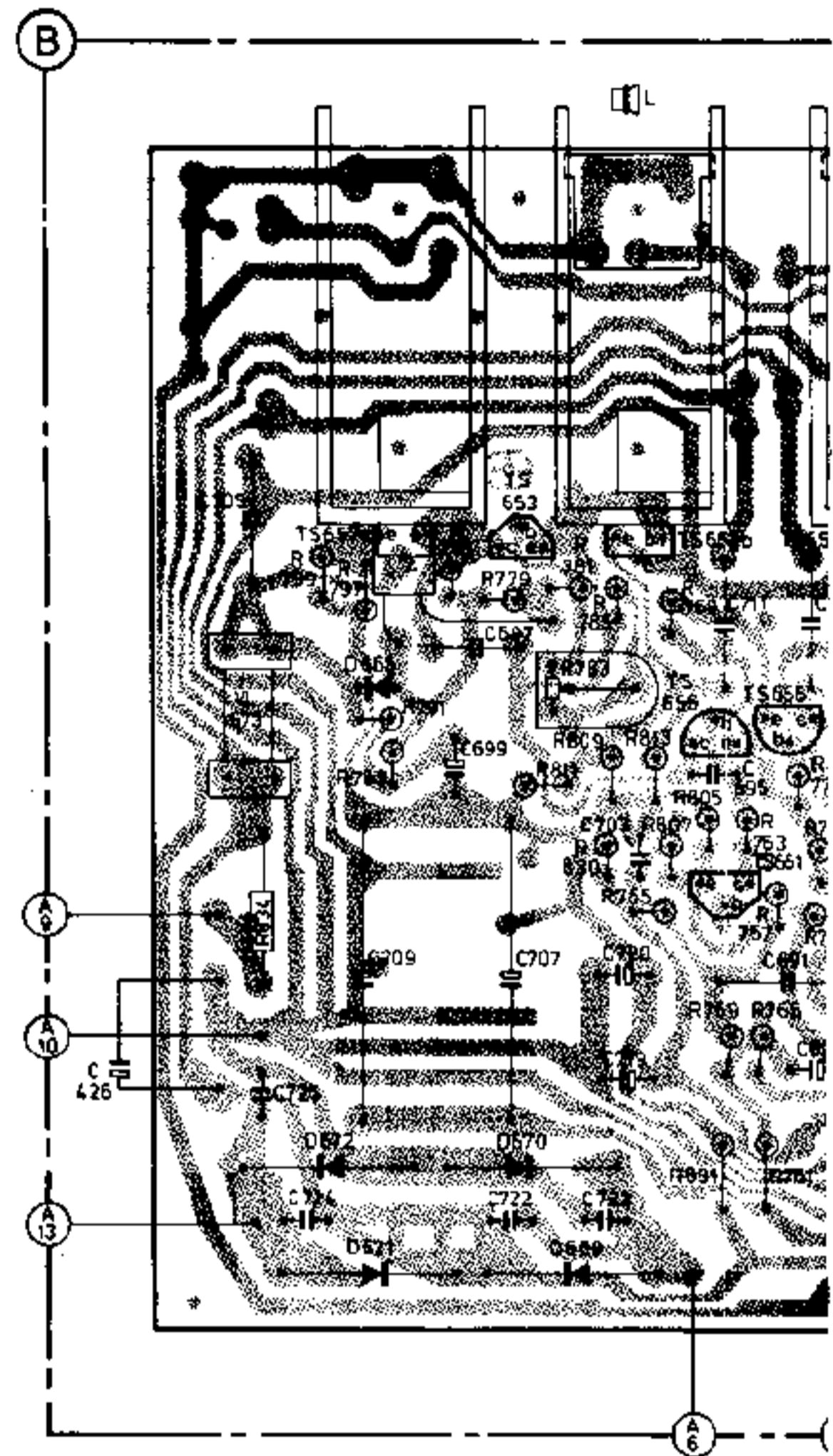
C	680...699	606...609 682...685	681 680	698 694 692 696 693 691 695	697 699		
C	700...725	721	706 708 710	704 700	712 711 719 720 723 703 707 722	709 724 725 705	
R	735...786	738 740 737 740 747 739	736 735	780 782 784 786 760 758 756 761...770	767 759 755 785 783 781 778		
R	791...834	832	833	798 800 792 796 794 821...824 808 806 810 812	831 805 807 813 809 811 830 795 791 783 797 798 834		
MISC.		VL 674 D666 TS659a	TS654	TS659b, 656, 657a, 655	TS653	D655 TS657a VL 673	
MISC.	SK-E	SK-D	SK-C	SK-B	TS651	D669, 670	D761, 672



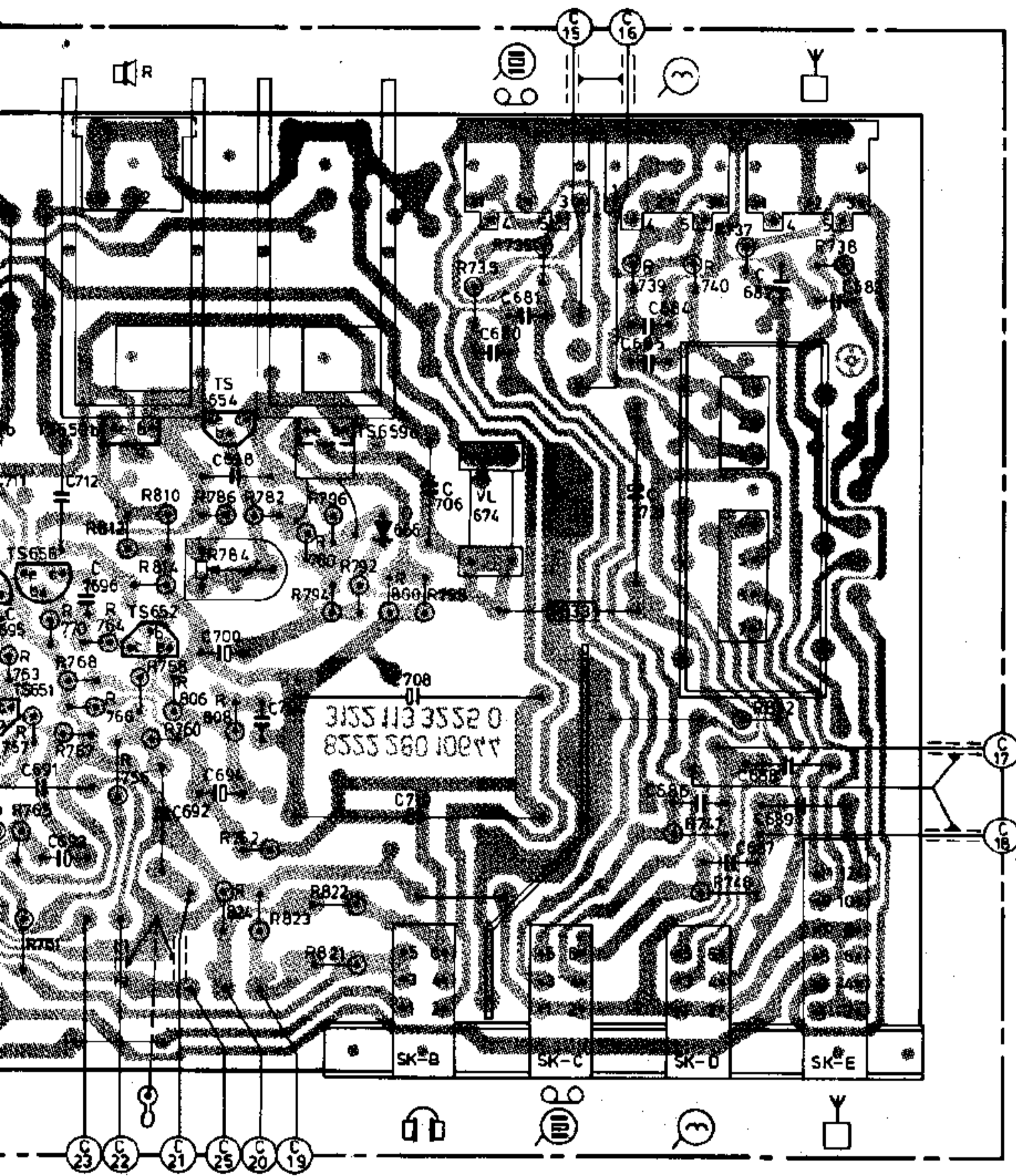
C 407... 428		411	407	413	422 414 408 417 4 26 412 418 419 420	421	424	423
C 680... 725						705 725 724 709	699 697 722	707 723 719 720 703
R 433... 475	429			456 448... 451 433 443 439 435 461 454 434 438 463 440 442		466 465 467 468 469		769 761
R 735... 786				437 445 455 453	447 462 441 436	446 444		779 781 783 785 755 759 757 7
R 791... 834								834 799 797 793 791 795
MISC	VL-2	S418		VL-1		VL673 TS657a D665	TS653	TS655, 657b, 654
MISC	LA423	SK-A		TS401, 403		TS404 TS402	D672, 671	D670, 669 TS651



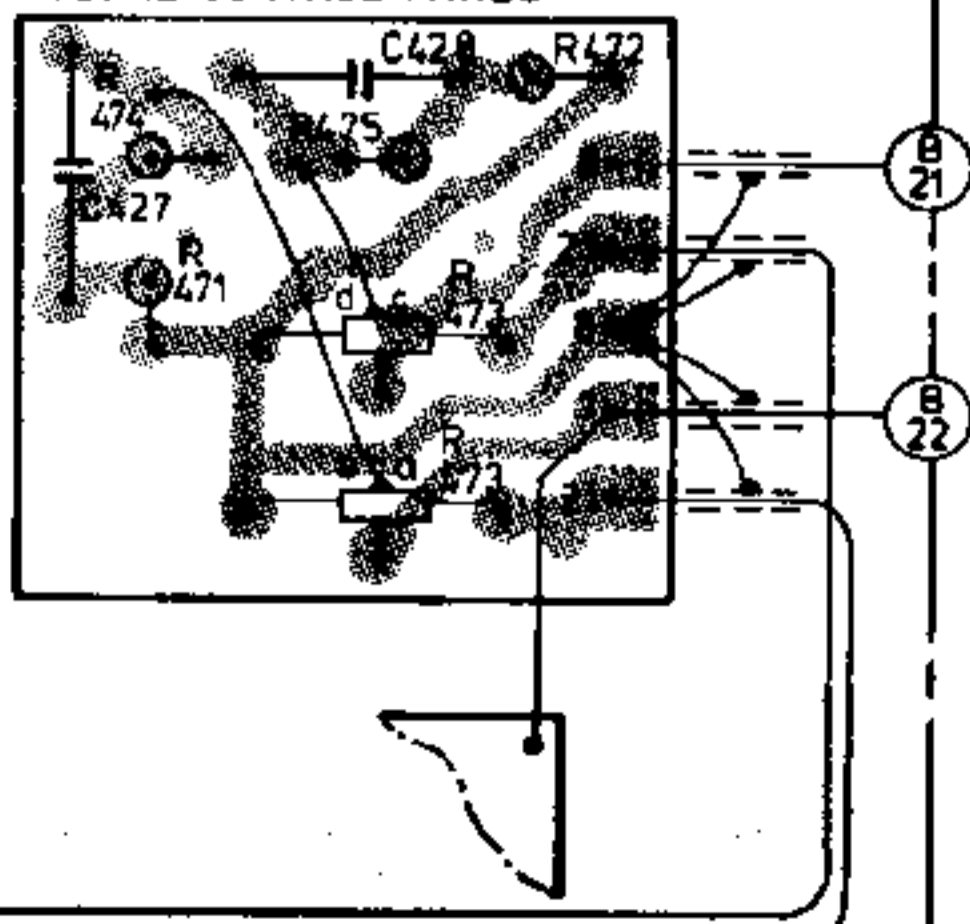
ONLY FOR -/15
THE DOTTED CONNECTION
REPLACES CONNECTION 13 S418-LA423



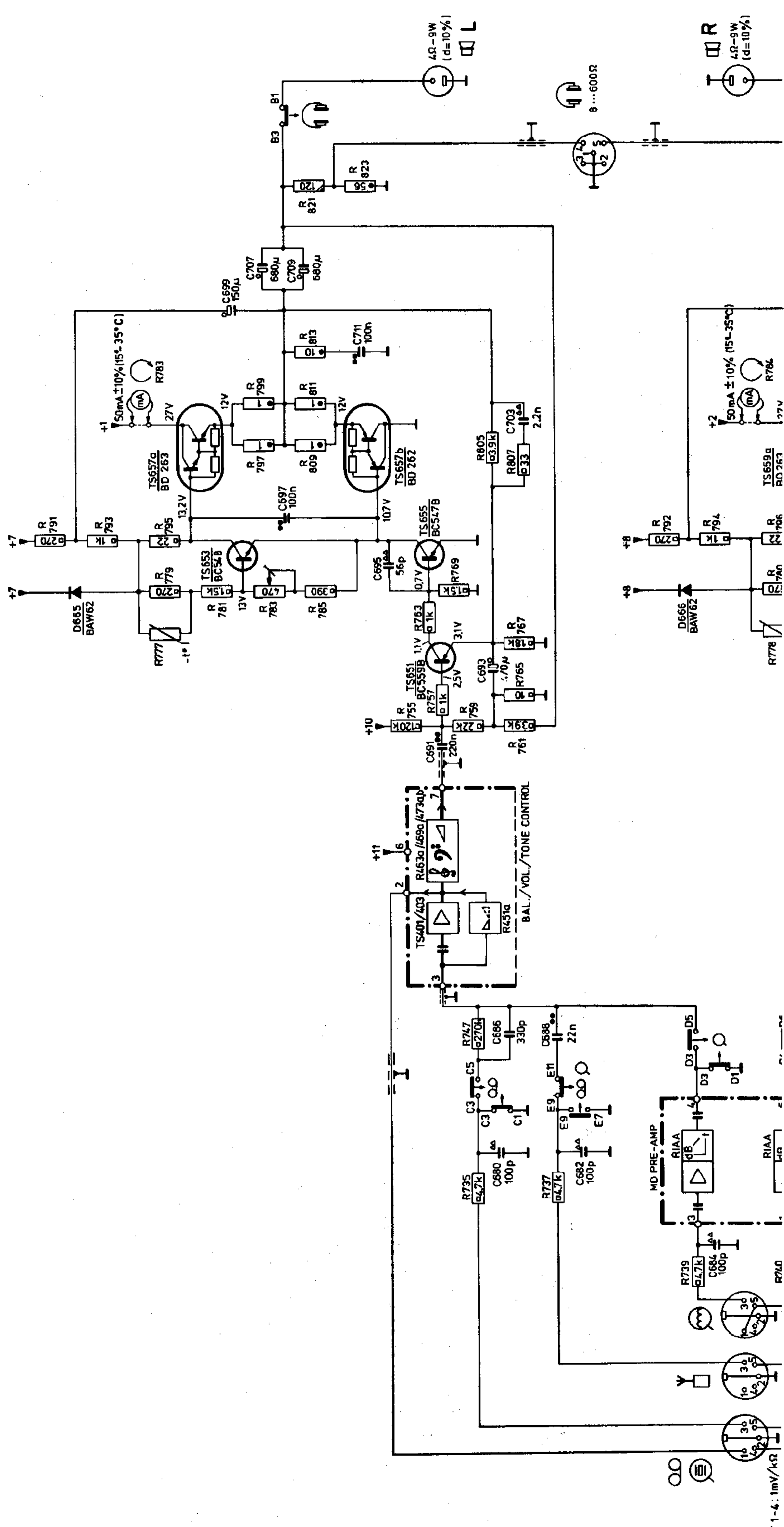
20 703	711 712	691...696	700 698	704 706	708 710	580 581	721 684...689	582 683	427 428	407...428	C
	761 770	756 758	786 782	780					471...475	680...725	C
59 757	763...768	760 784	762							433...475	R
						735 736	739 740	737 747	738 748	735...786	R
05 831	812 810	814 806 808	796	821...824	794 792 800 798	833				791...834	R
	657b.656.659b	TS652.654		TS659a	O666 VL674						MISC
	TS 651		SK-B	SK-C	SK-D	SK-E					MISC



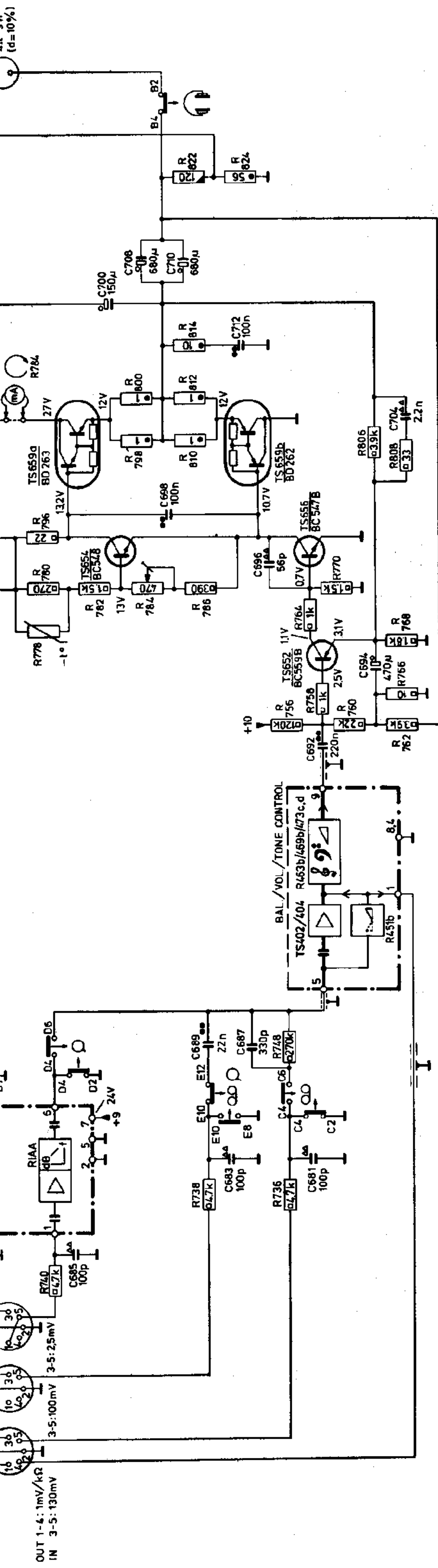
VOLUME CONTROL PANEL



R	739 740	735...738	747 760	451a-b, 463a-b, 459a-b, 473a, b, c, d, 830...834, 755...770	777...786	791...796	797...800	805...814	829	821...824
C	684 685	680...683	686...689	719...721	705 706	693 694	695 696	697 698	703 704	711 712 699, 700 707...710
MISC.				TS401...404	VL673, 674	TS651...656	D665, 666, 669...672	TS657a-b	659a-b	LA423 546



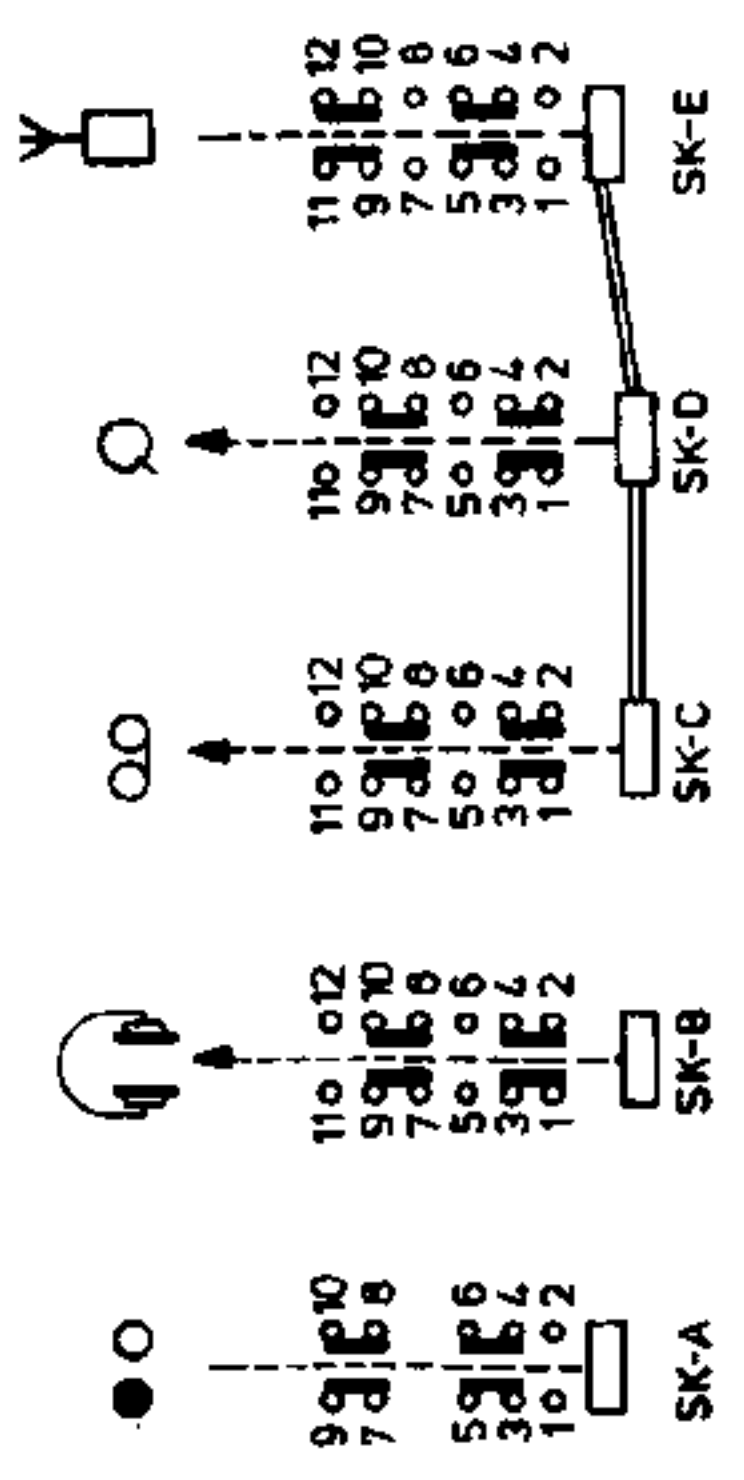
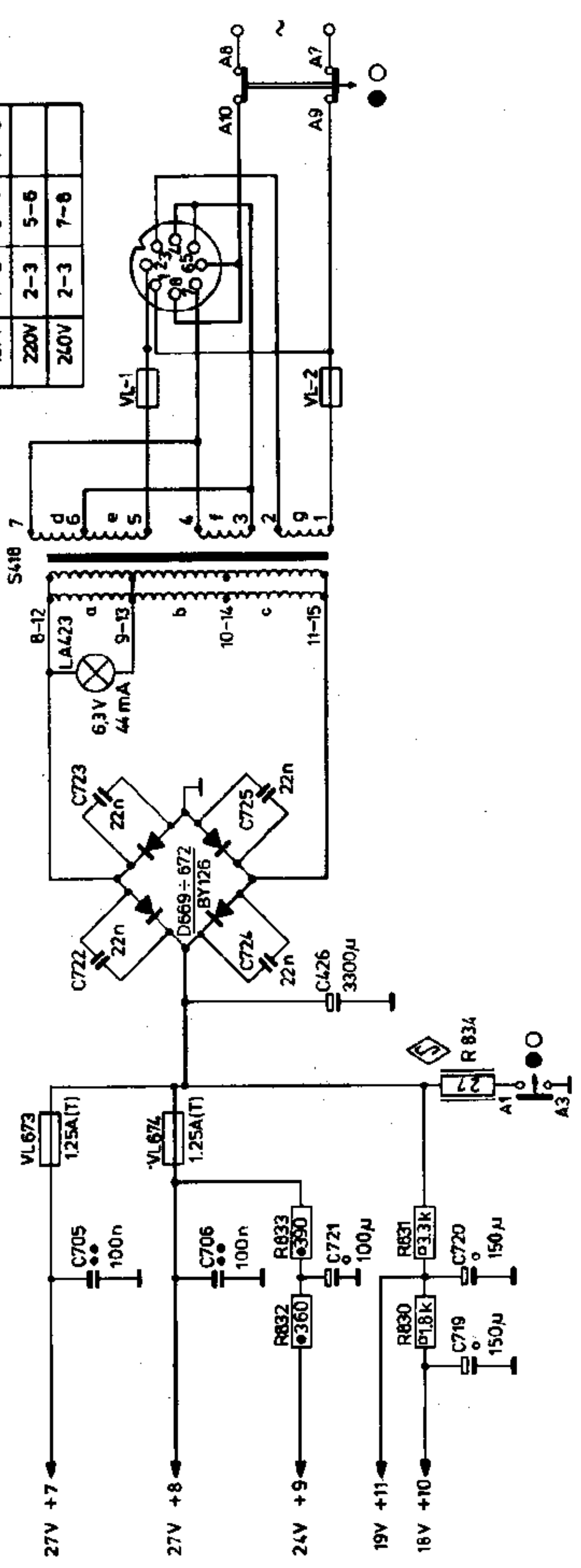
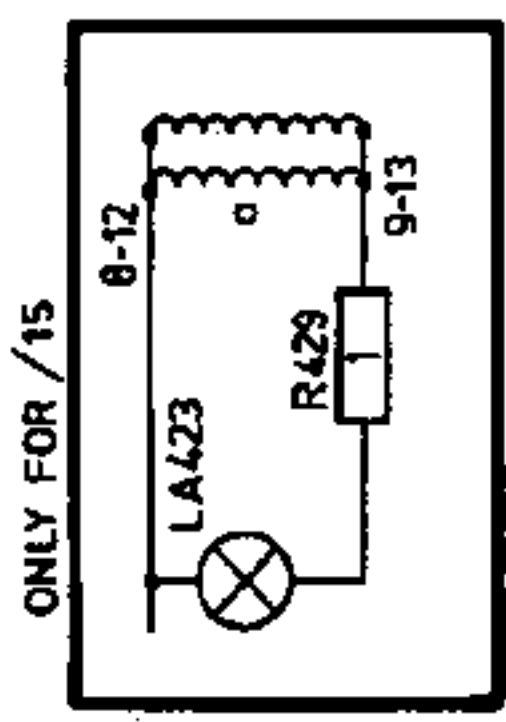
OUT 1-4: 1mV/kΩ



DRAWN IN POSITION TUNER

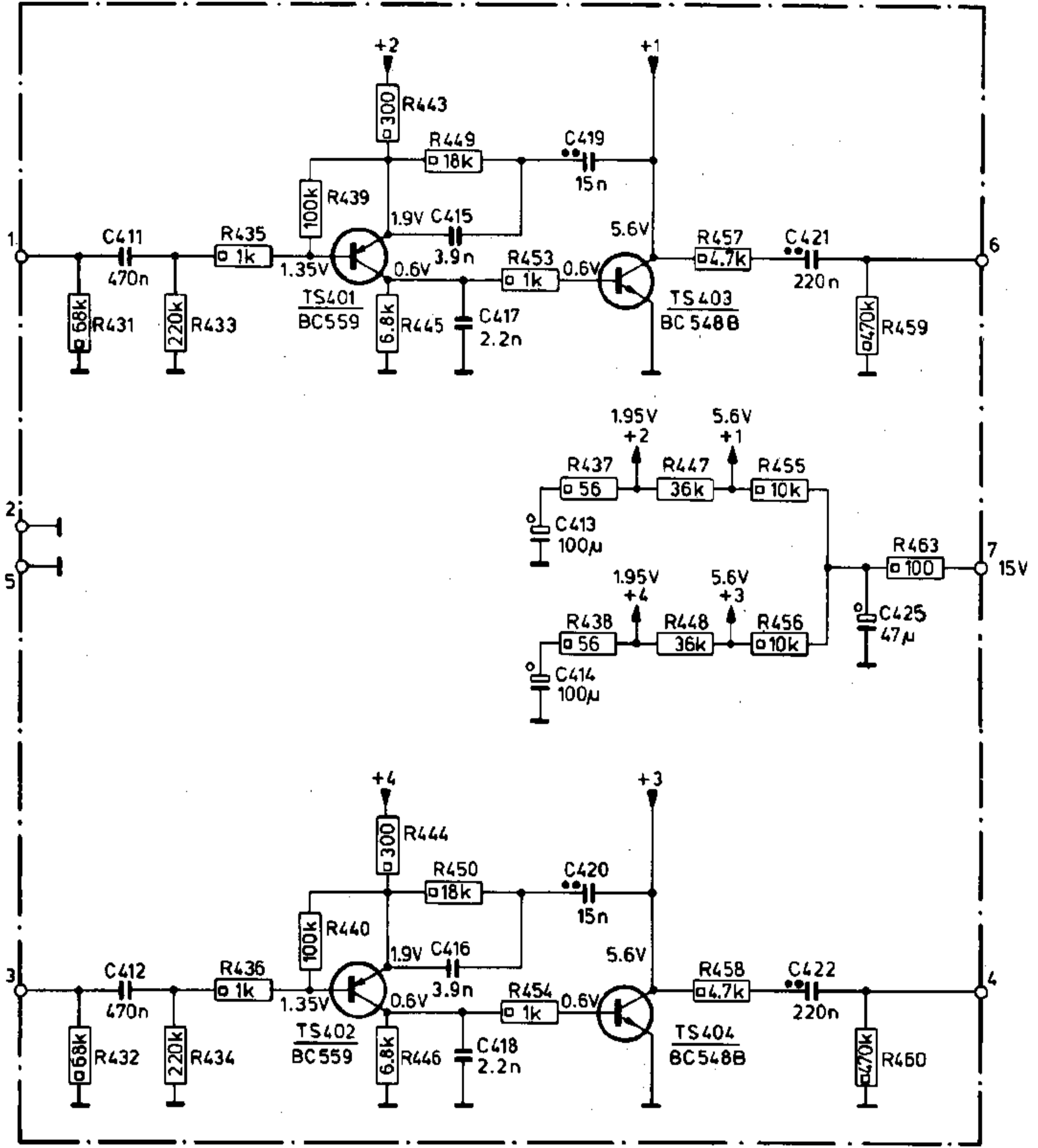
VOLTAGE ADAPTOR CONNECTIONS

110V	1-2	3-4	5-6
127V	1-2	3-4	7-8
220V	2-3	5-6	
240V	2-3	7-8	

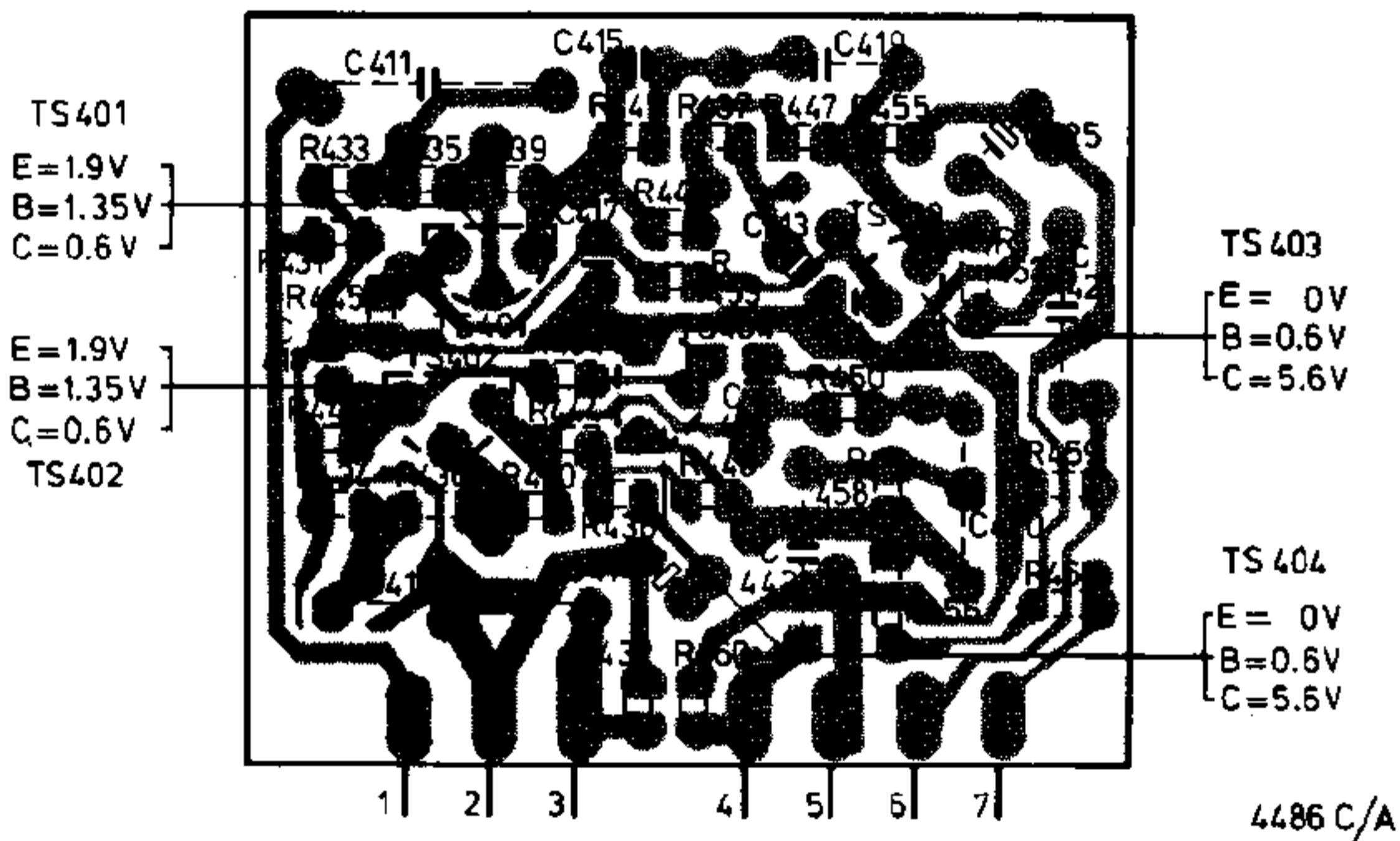


- Carbon resistor E24 series
- Carbon resistor E12 series
- Carbon resistor E12 series
- Plate ceramic capacitor
- Flat-foil polyester capacitor
- Miniature electrolytic capacitor

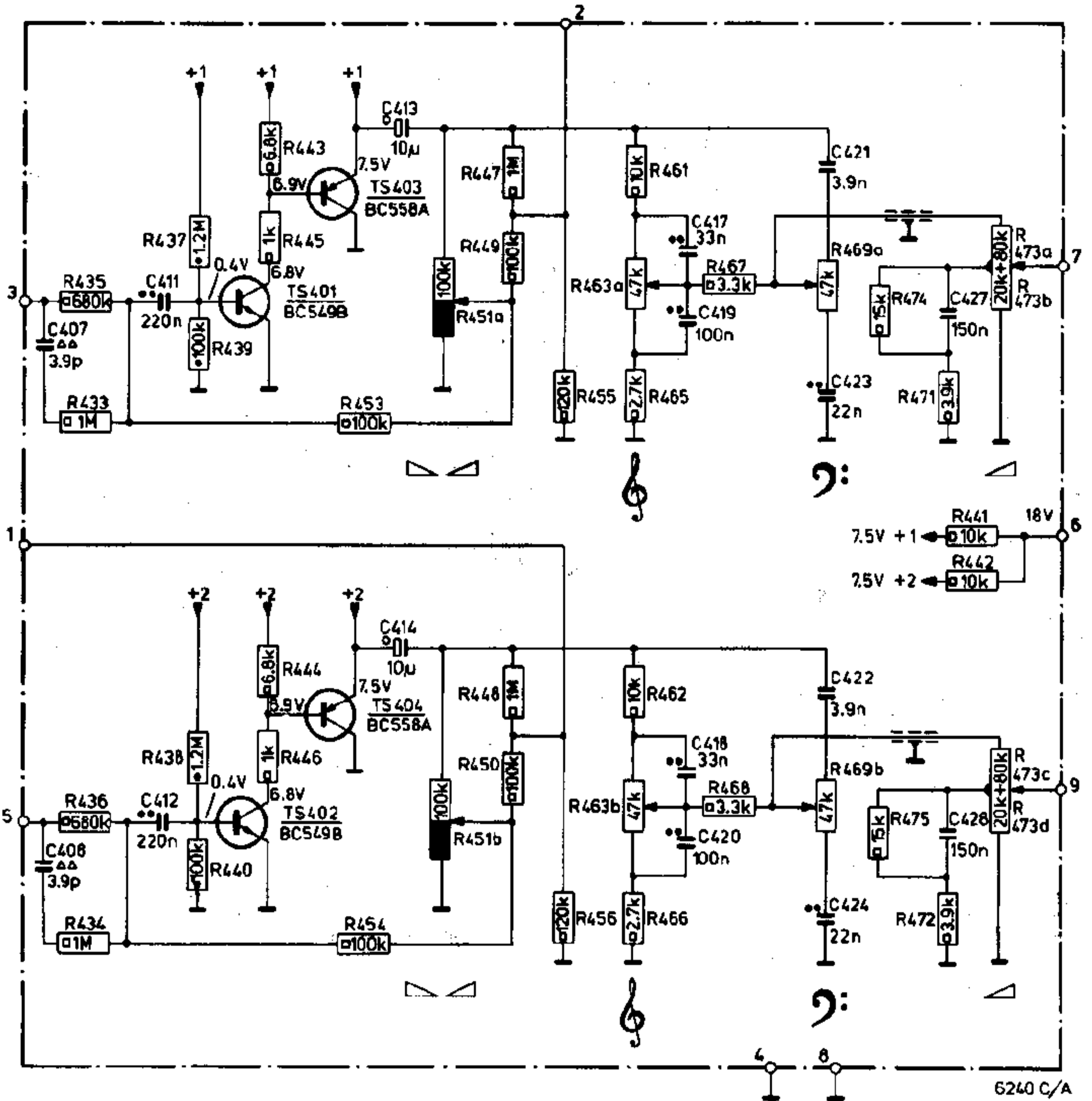
M.D. PRE-AMPLIFIER



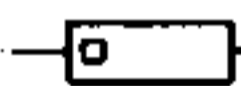



VOLTAGES HAVE BEEN MEASURED AT A SUPPLY VOLTAGE OF 15V

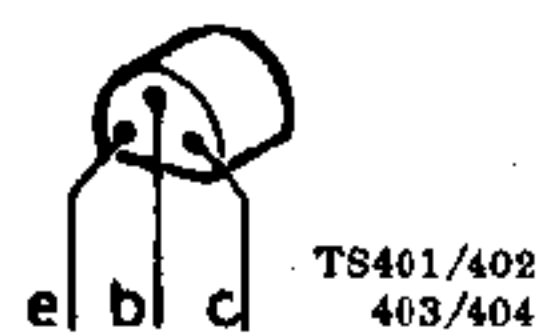
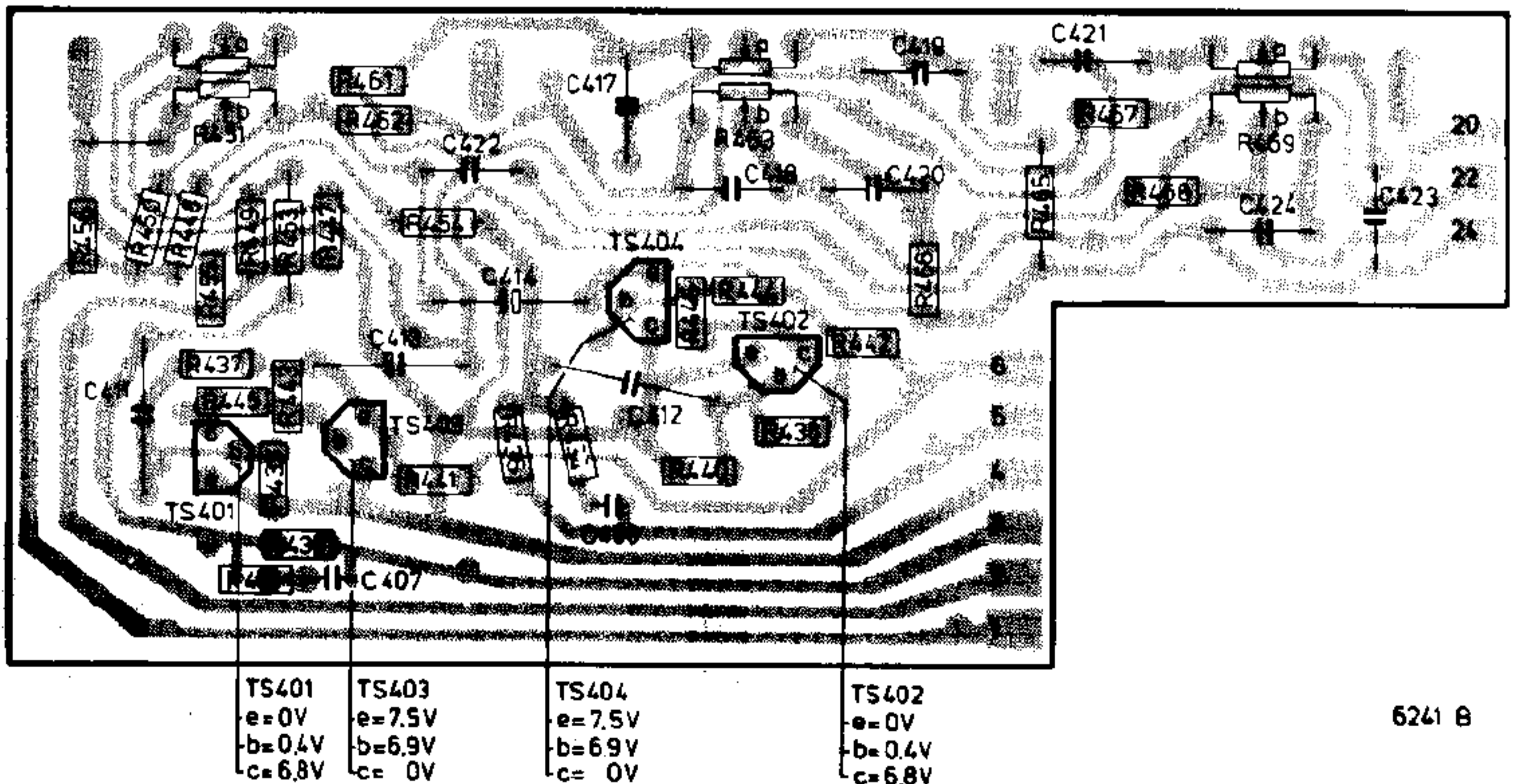
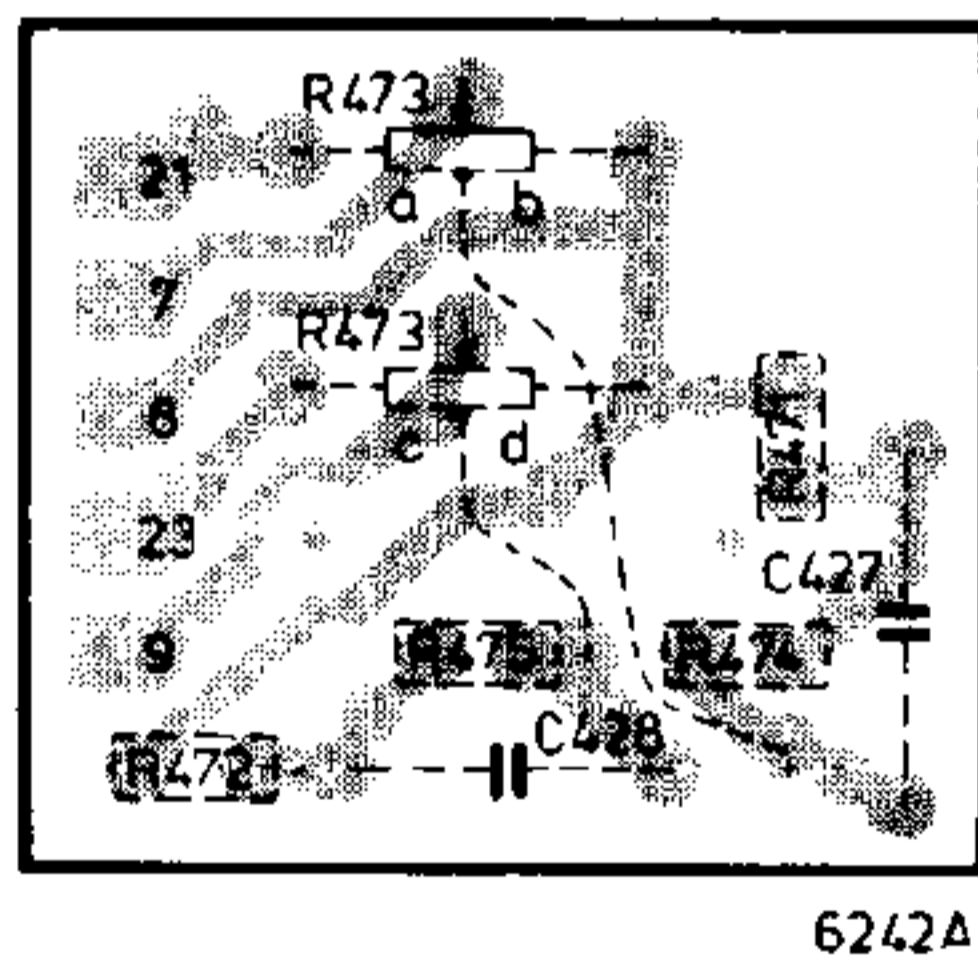


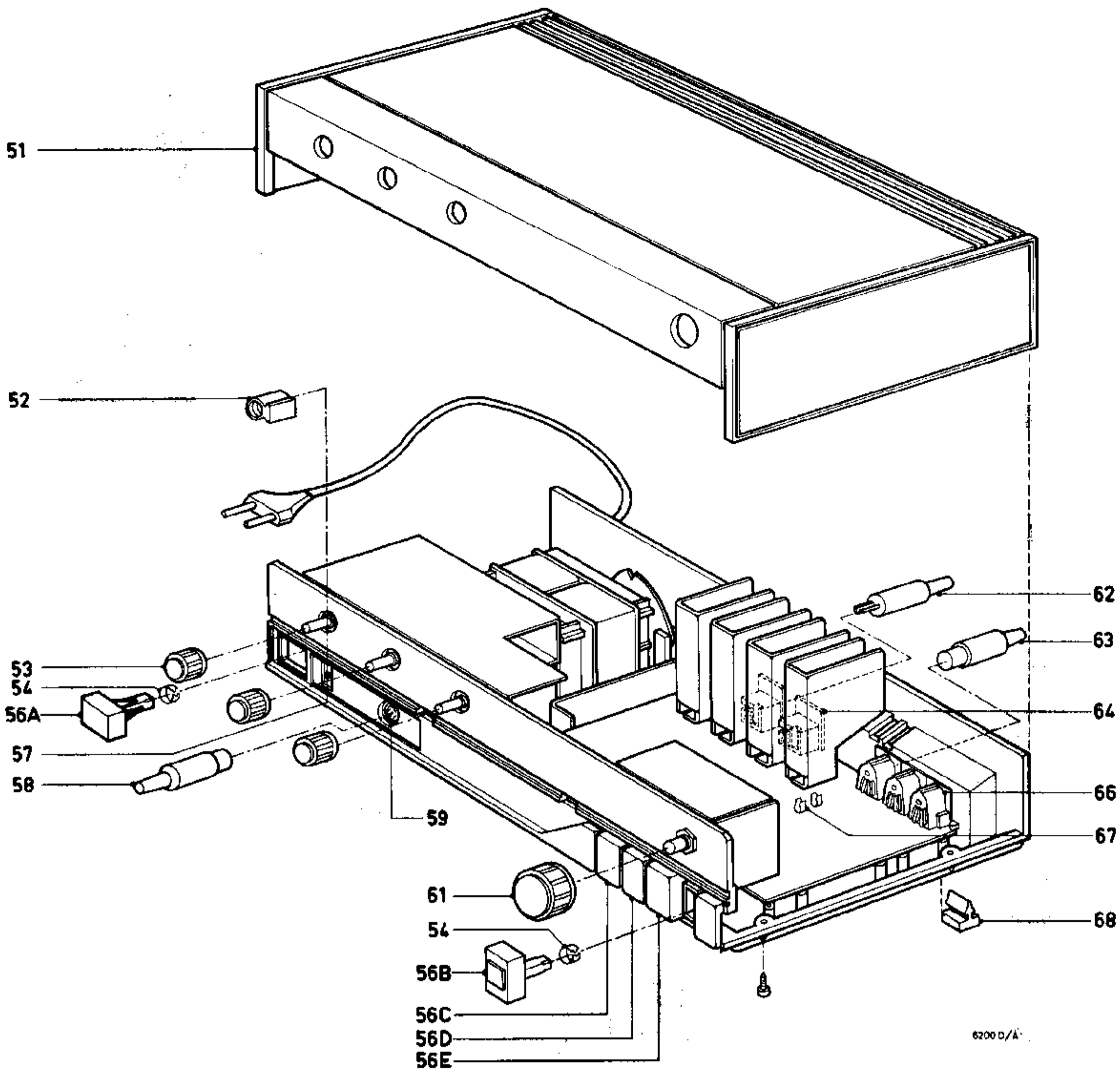
VOL. BAL. TONE - CONTROL



VOLTAGES HAVE BEEN MEASURED AT A SUPPLY VOLTAGE OF 15V

-  Carbon resistor E24 series 0.125 W 5 %
-  Carbon resistor E12 series 0.25 W < 1 MS 5 %
 > 1 MS 10 %
-  Flat-foil polyester capacitor
-  Miniature electrolytic capacitor





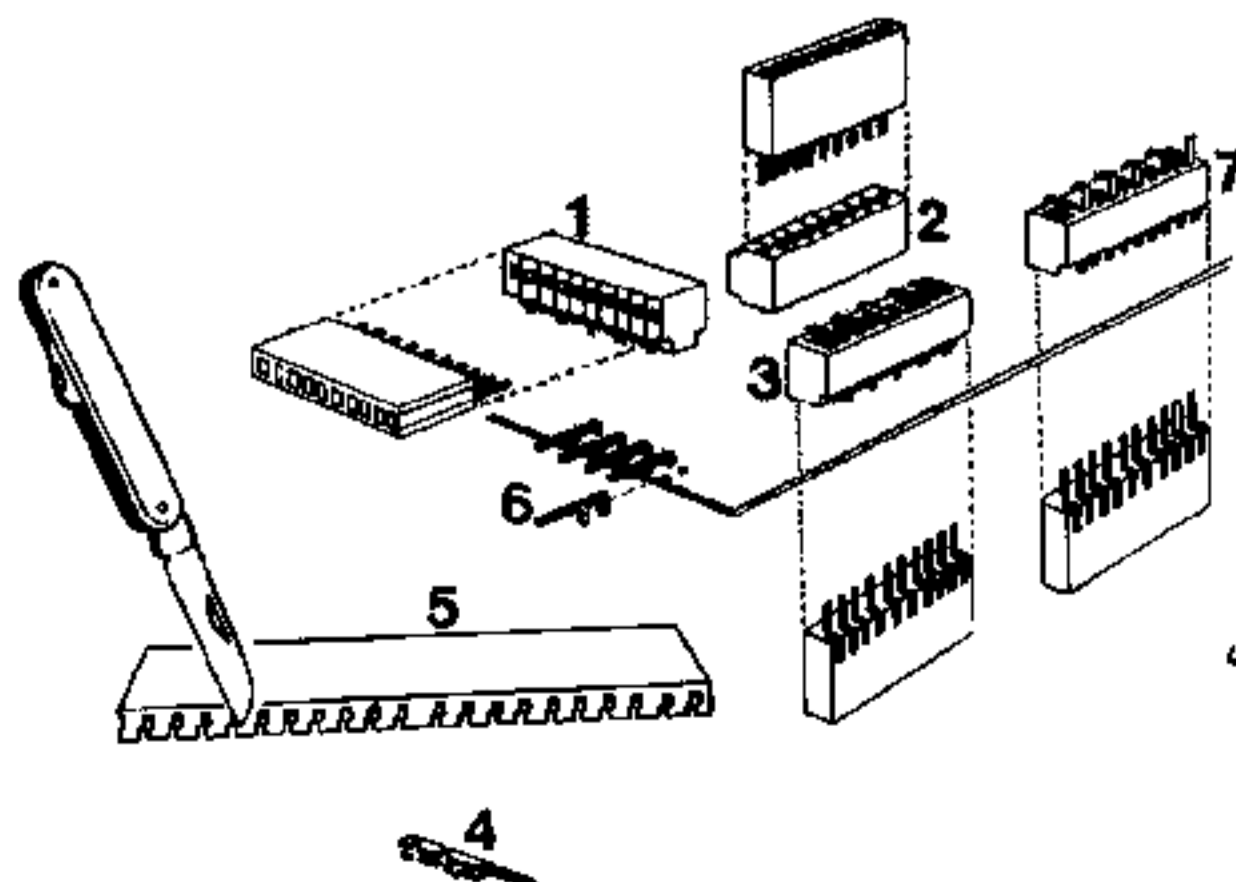
6200 D/A

MECHANICAL PARTSLIST

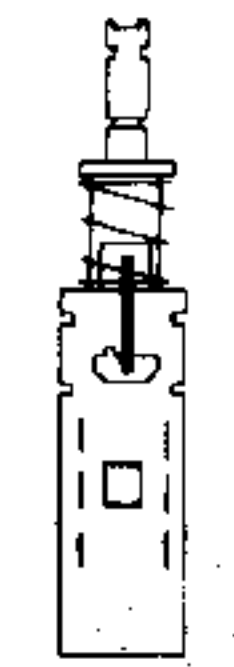
51	4822 426 40056	57	4822 381 10425	64	4822 267 30264
/28	4822 426 40057	58	4822 264 40092	66	4822 267 40209
52	4822 255 10007	59	4822 267 40215	67	4822 492 60063
53	4822 413 30619	61	4822 413 50875	68	4822 462 40326
54	4822 492 62007	62	4822 264 30041		
56	4822 410 21683	63	4822 264 40023		

AMP - CONNECTORS

Item	Code number
1	5322 267 64027 (10p)
2	4822 267 50209 (10p)
3	4822 267 50211 (10p)
4	4822 268 10107
5	5322 267 64007
6	5322 264 54017

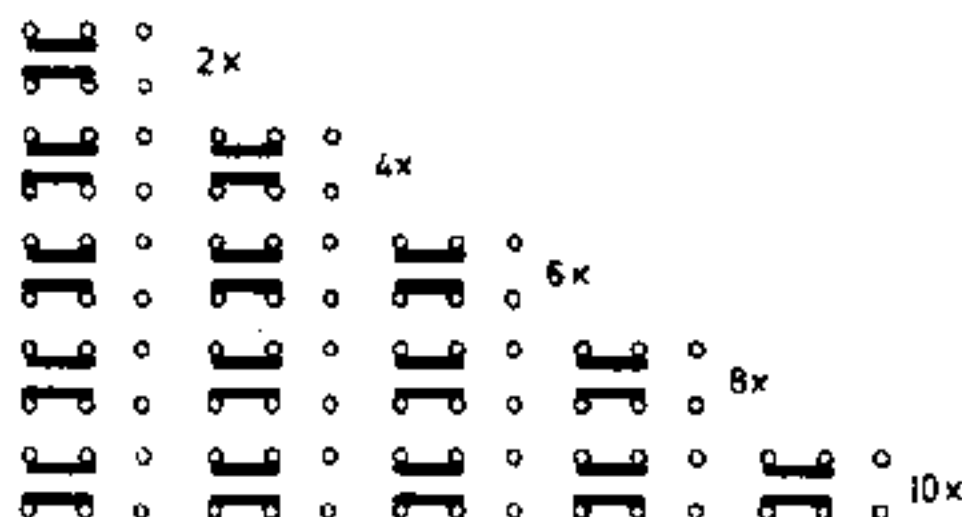


4532A/B



PUSH-PUSH

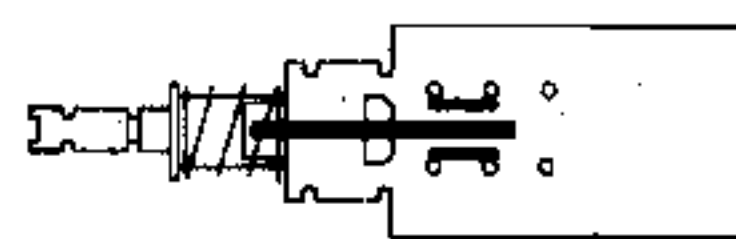
4822 276 10558
4822 276 10562
4822 276 10561



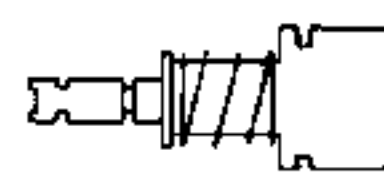
4822 276 10543
4822 276 10544
4822 276 10545
4822 276 10546
4822 276 10547



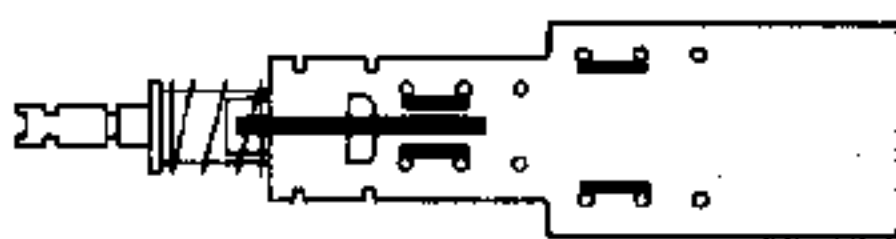
PUSH-PULL



4822 276 10539



4822 276 10559

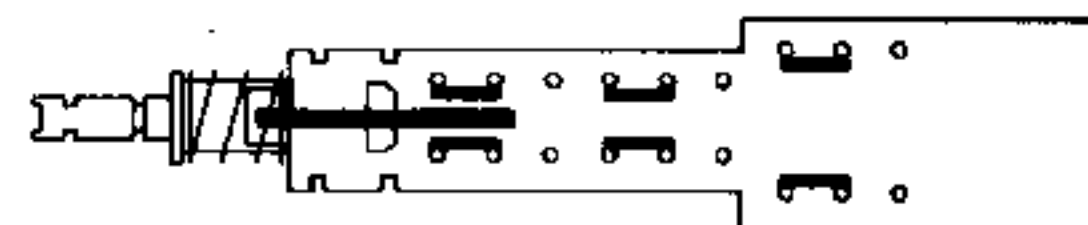


4822 276 10541



4822 404 10233
bracket for transforming a push-pull
switch into a push-push one




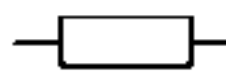
4822 404 10234



4822 276 10542

6382B

ELECTRICAL PARTS LIST

-TS-					-DIV-		
651,652	BC559B	5322 130 44358	S418	Mainstransformer	4822 146 20503		
653,654	BC548	4822 130 40938	LA423	6,3 V - 44 mA	4822 134 40331		
655,656	BC547B	4822 130 40959	VL673,674	1,25 A - slow	4822 253 30022		
657,659	PAIR BD262/263	4822 130 41027	U407	MD- préamplifier	4822 212 40021		
401,402	BC549B	4822 130 40936					
403,404	BC558A	4822 130 40962					
-D-							
665,666	BAW62	5322 130 30613					
669,670,671,672	BY126	5322 130 30192					
-C-							
686,687	330 pf	5322 121 54077					
426	3300 uF - 40 V	4822 124 70237					
-R-							
451	potmeter 100k + 100k	4822 102 30209					
463,469	potmeter 47k + 47k	4822 102 30211					
473	potmeter 80k + 20k	4822 103 20235					
777,778	NTC	4822 116 30087					
783,784	trimpotmeter 470 Ω	4822 100 10038					
797...800	1 Ω - 1/4 W	4822 110 53027					
809...812							
832	360 Ω - 1/4 W	4822 111 30452					
834	safety-res. 27 Ω- 1/4 W	4822 111 30003					

Service mededeling

PHILIPS NEDERLAND B.V. - EINDHOVEN
TECHNISCHE SERVICE

Ref. R 343

Type 22 RH 540

Datum juli 1976

Onder stempeling PLO4 zijn een andere transformator en spannings-carroussel toegepast.

Het bestelnummer van de nieuwe transformator is 4822 146 40221.

Voor de gewijzigde aansluitingen, zie de tekeningen.

Het bestelnummer van de temperatuurveiligheden is 4822 252 20071.

Op het regelpaneel zijn de transistoren TS401..404 vervangen door typen met een andere behuizing.

TS401 en 402 zijn nu BC549 B (5322 130 40936)

TS403 en 404 zijn nu BC558 A (4822 130 40962)

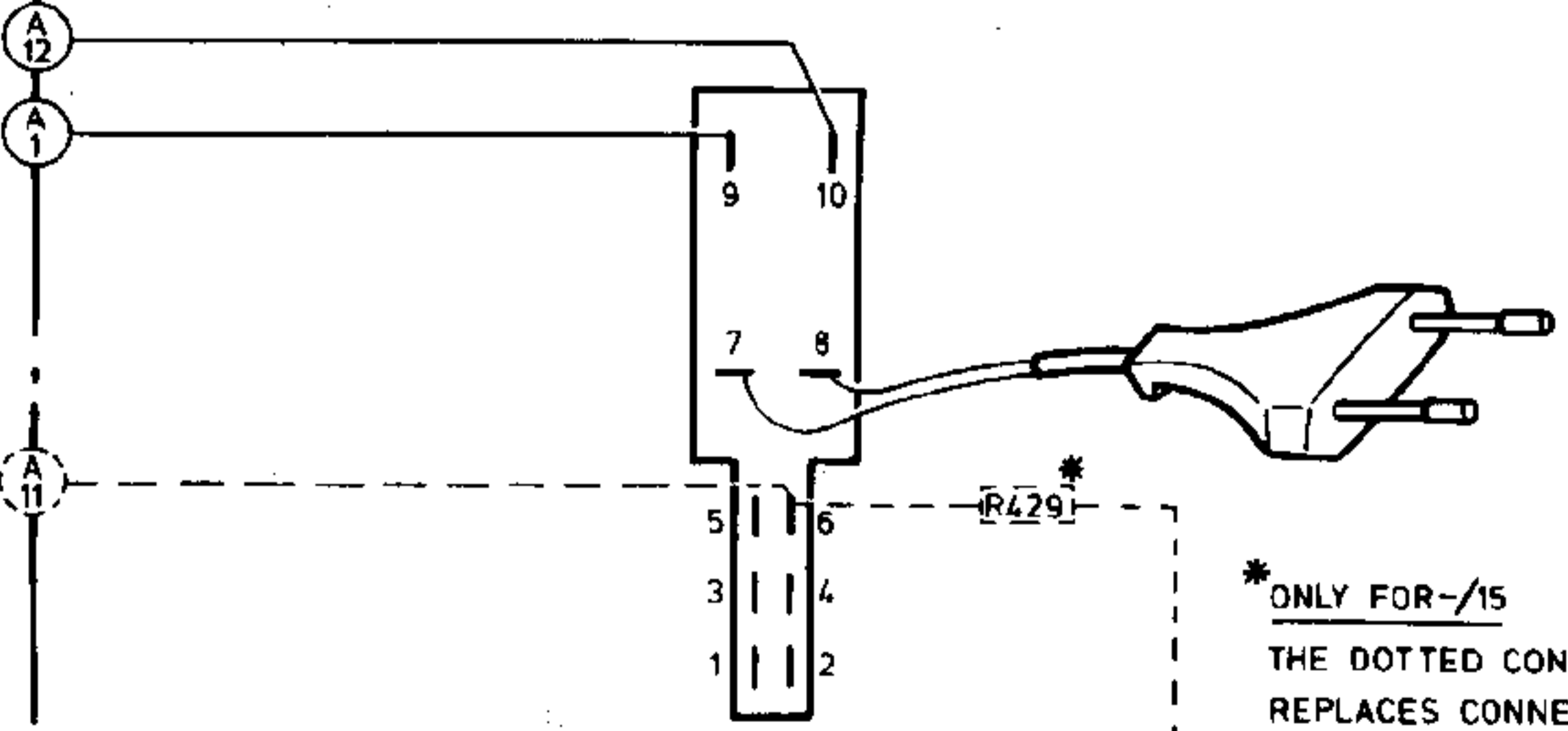
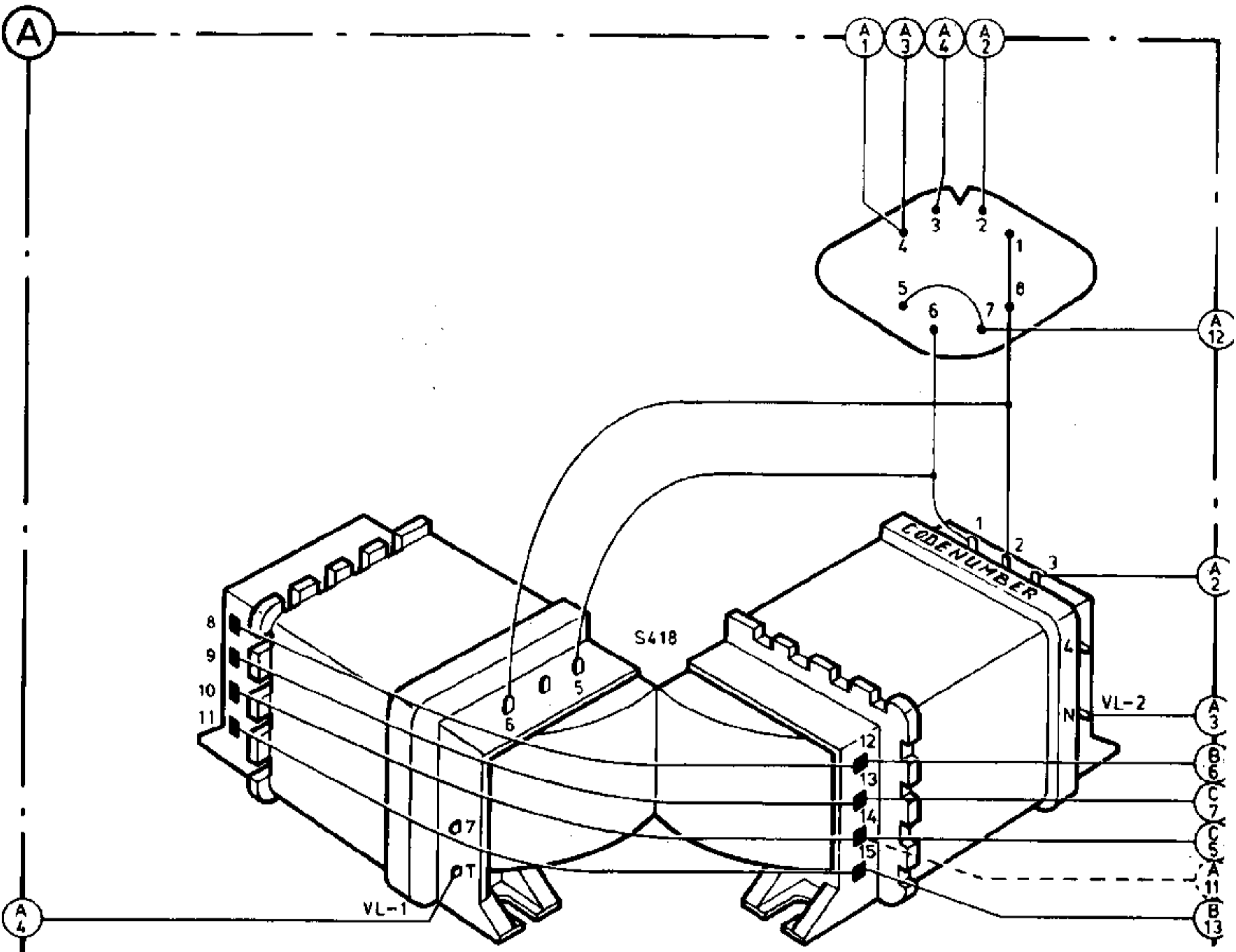
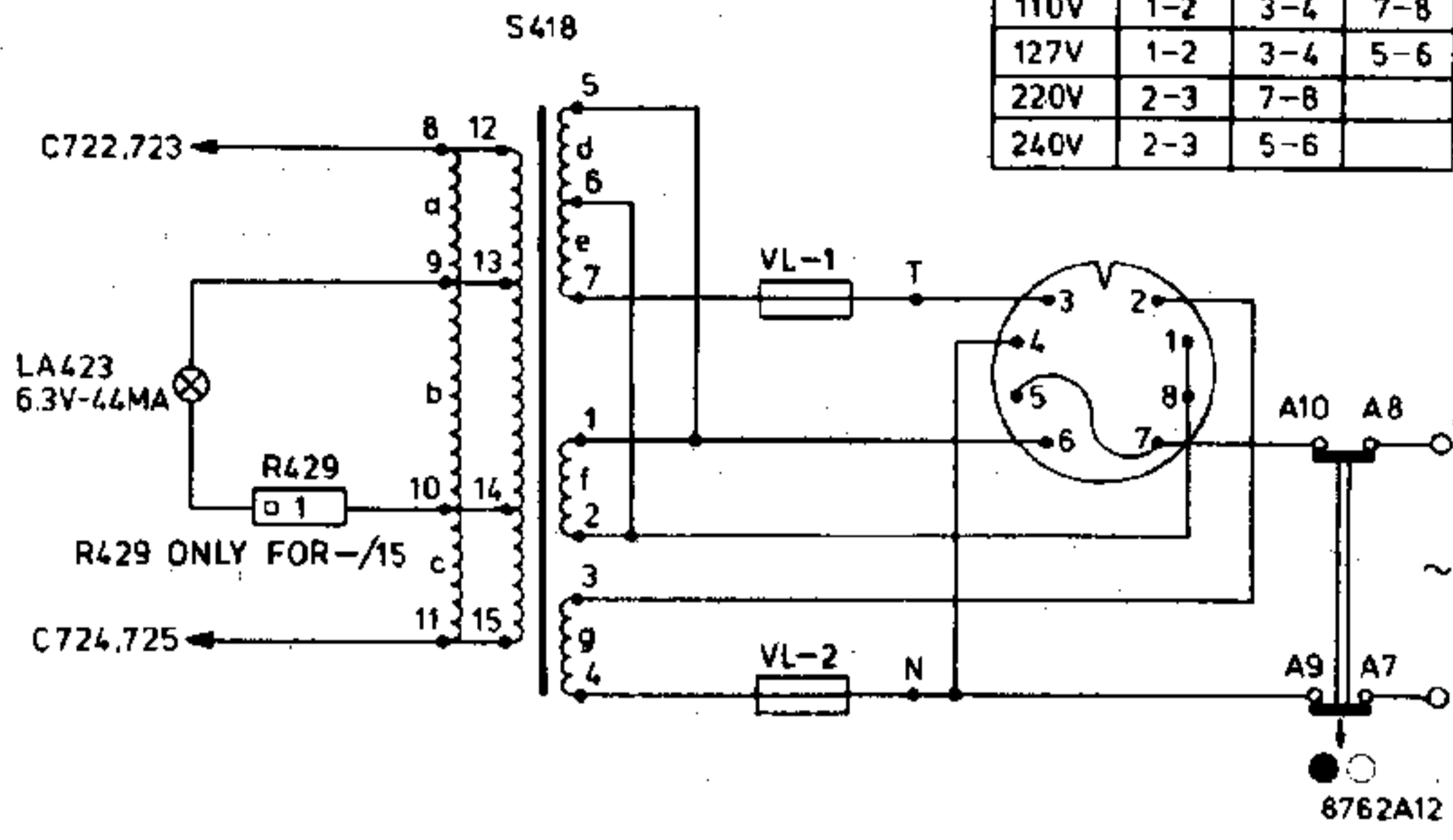
LA423 was 6V-50mA en is gewijzigd in 6,3V-44mA, bestelnummer 4822 134 40331. Deze wijziging is ingevoerd onder stempeling PLO1 527.



PHILIPS

VOLTAGE ADAPTOR CONNECTIONS

110V	1-2	3-4	7-8
127V	1-2	3-4	5-6
220V	2-3	7-8	
240V	2-3	5-6	



* ONLY FOR -/15
 THE DOTTED CONNECTION
 REPLACES CONNECTION C5-A5