

TRA1511

BEDIENINGSORGANEN

1. Geluidssterkte + batterijschakelaar (R10 + SK-A)
2. Afstemming

SPECIFICATIE

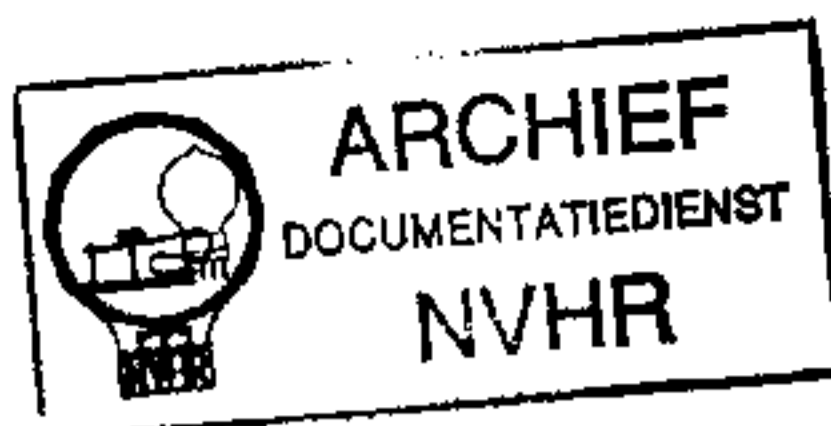
| | |
|-------------------------|--------------------------|
| Middengolf | 185-580 m (1622-517 kHz) |
| MF | 452 kHz |
| Luidspreker | AD 2400 HZ, 25 ohm, 3 W |
| Voedingsspanning | 9 V (6 × 1,5 V) |
| Verbruik zonder signaal | 18 mA |
| Uitgangsvermogen | 300 mW |
| Afmetingen | 80 × 18 × 25 cm |

OVERZICHT HALFGELEIDERS

| | |
|---------|----------|
| TS 1 | AF 127 |
| TS 2 | AF 127 |
| TS 3 | AC 126 |
| TS 4, 5 | 2-AC 132 |
| GR 1 | OA 79 |

AANSLUITINGEN

AM-buitenantenne
Aarde



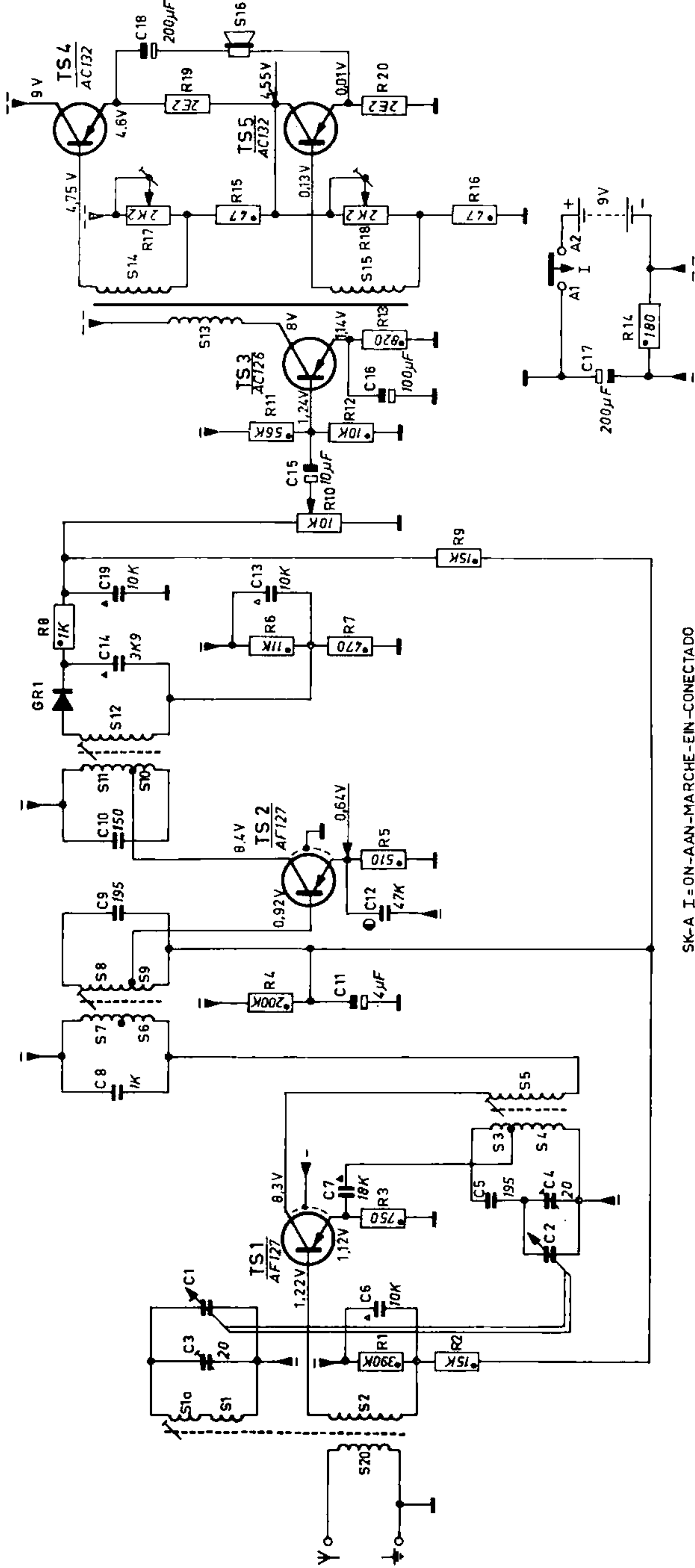
22 RC 067

CODENUMMERS

| | | | |
|--|--|--------------------|----------------|
| Kast, bruin (02B) | 4822 420 30052 | | |
| Kast, rood (02L) | 4822 420 30051 | | |
| Kast, blauw (02X) | 4822 420 30053 | | |
| Kast, bruin (03B/61B) | 4822 420 30138 | | |
| Kast, rood (03L/11L-61L) | 4822 420 30137 | | |
| Kast, blauw (03X/61X) | 4822 420 30139 | | |
| Front, wit (02B/02L/02X) (03B/03L/03X) (11L/61B/61L/61X) | 4822 423 50014 | | |
| Knop 1, bruin (02B/03B/61B) | 4822 413 40167 | | |
| Knop 1, rood (02L/03L/11L/61L) | 4822 413 40168 | | |
| Knop 1, blauw (02X/03X/61X) | 4822 413 40166 | | |
| Knop 2, bruin (02B/03B/61B) | 4822 413 60089 | | |
| Knop 2, rood (02L/03L/11L/61L) | 4822 413 60088 | | |
| Knop 2, blauw (02X/03X/61X) | 4822 413 60087 | | |
| Veer in knop 1 | 4822 492 60088 | | |
| Veer in knop 2 | 4822 492 60705 | | |
| Batterijschuif, bruin (03B/61B) | 4822 423 40148 | | |
| Batterijschuif, rood (03L/61L) | 4822 423 40147 | | |
| Batterijschuif, blauw (03X/61X) | 4822 423 40149 | | |
| R10 | Geluidssterkteregelaar | 4822 101 50012 | |
| R10 (11L) | Geluidssterkteregelaar | 4822 101 50062 | |
| S1-1a-2 | 02B/02L/02X/03B/03L/03X/11L/61B/ 61L/61X) | Ferroceptor | 4822 158 60156 |
| S3-4-5 | | Oscillatorspoel | 4822 156 30103 |
| S6-7-8-9-C9 | | MF-bandfilter | 4822 153 10093 |
| S6-7-7a (11L) | | MF-bandfilter | 4822 156 30202 |
| S8-9 (11L) | | MF-bandfilter | 4822 156 30203 |
| S10-11-12-C10 | | Detectiespoel | 4822 153 10094 |
| S10-11-12-C10 (11L) | | Detectiespoel | 4822 153 10103 |
| S13-14-15 | | Stuurtransformator | 4822 142 40114 |
| S13-14-15 (11L) | | Stuurtransformator | 4822 101 30109 |
| S13-14-15 (61B/61L/61X) | | Stuurtransformator | 4822 142 40164 |
| C1-2 | | Afstemcondensator | 4822 125 20078 |
| C1-2 (11L) | | Afstemcondensator | 4822 125 20097 |
| C3-4 | | | 4822 125 50029 |
| C5 | | | 4822 121 50025 |

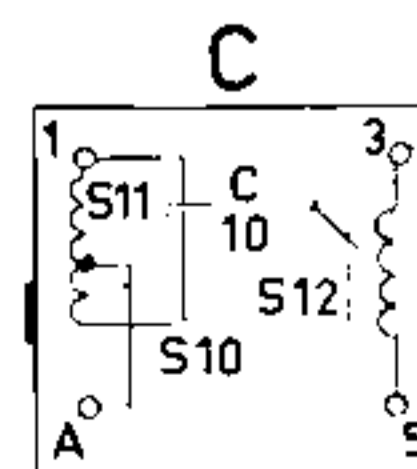
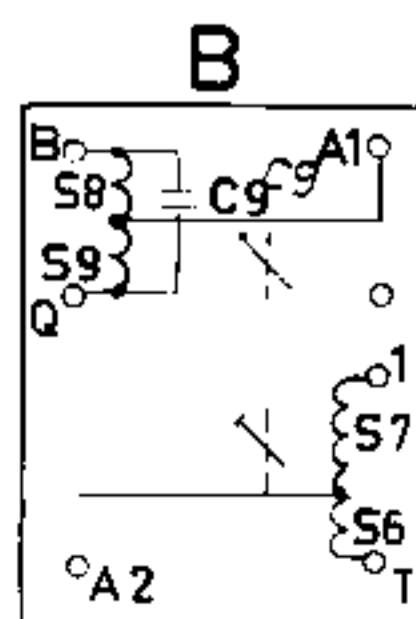
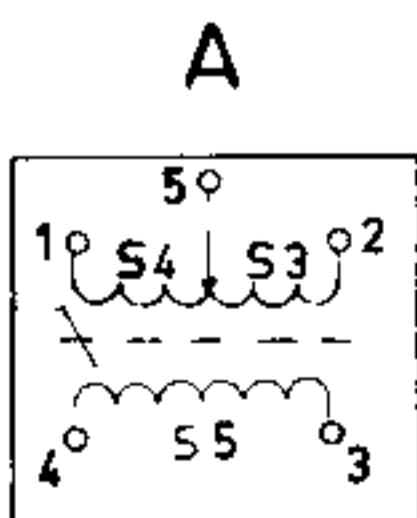
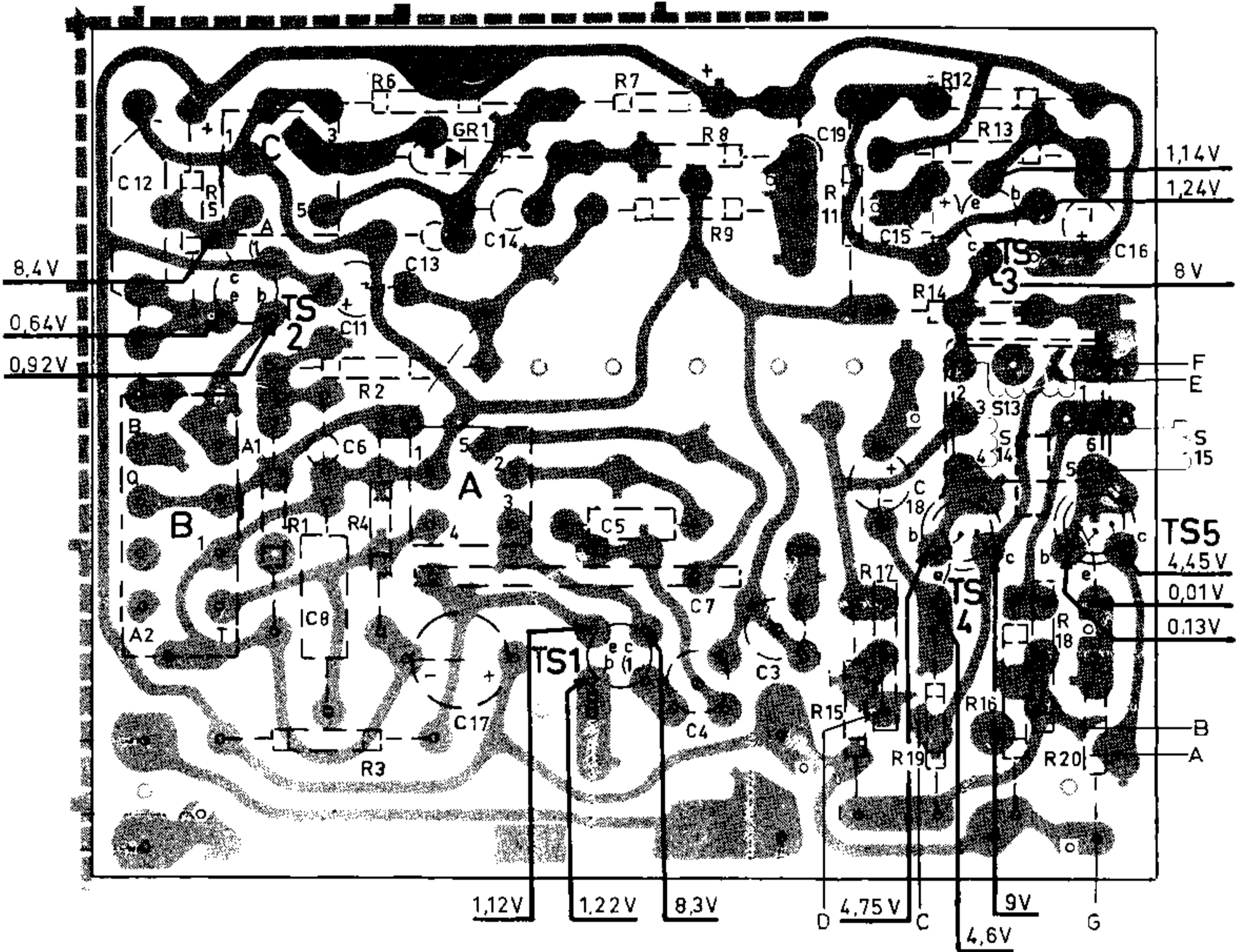
22 RC 067/02/03

| | | | | | |
|---|-------------|----------|-------------|-------------|---|
| S | 20.1a.1. 2. | 3. 4. 5. | 10. 11. 12. | 13. 14. 15. | 16. |
| C | 3. 1. 6. 7. | 8. | 9. 12. | 15. | 18. |
| R | 1. 2. | 3. | 4. | 6. 7. 8. | 11. 12. 13. 14. 15. 16. 17. 18. 19. 20. |

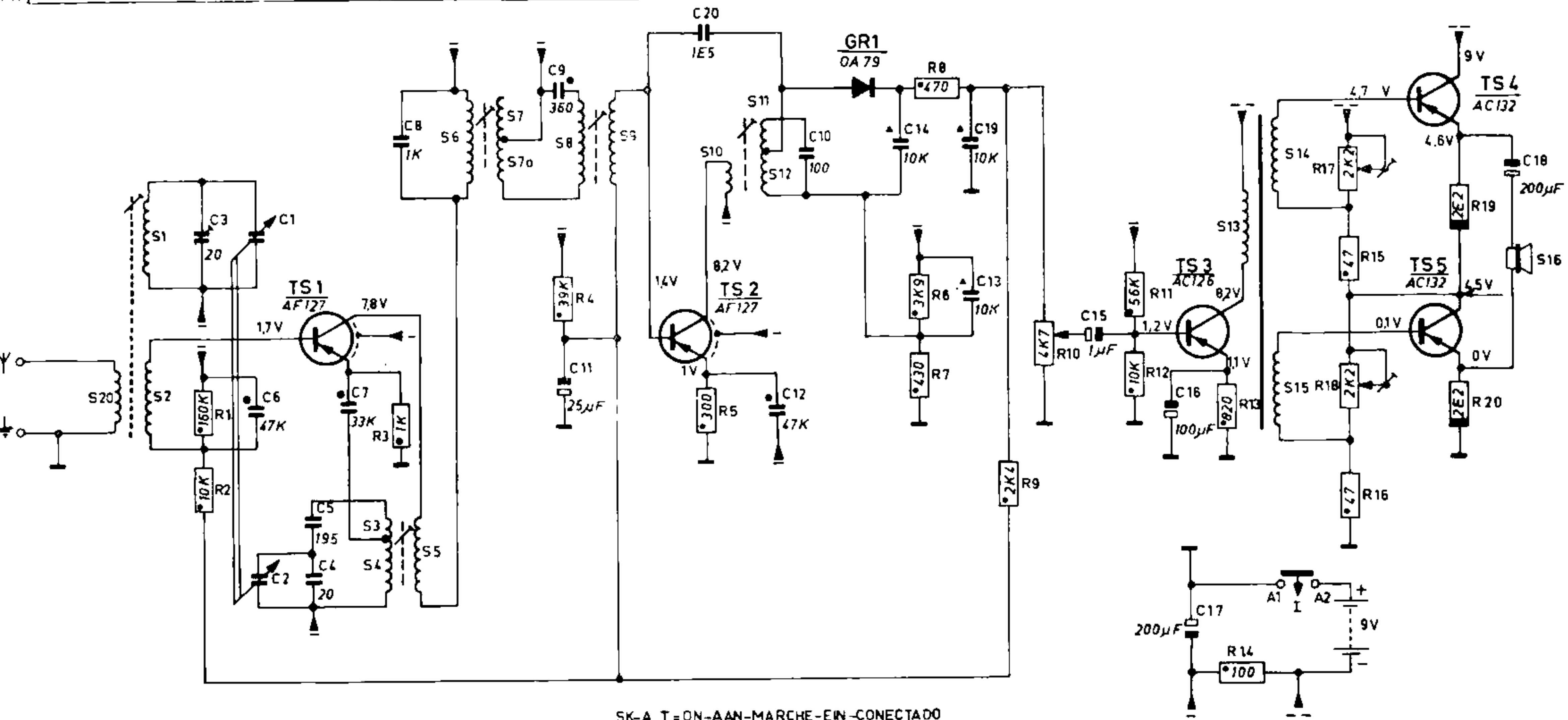


SK-A I=ON-AAN-MARCHE-EIN-CONECTADO

| | | | | | | | | | | | | | | |
|---|-----|----|---------|------|-----|-----|----|--------|----|----|-----|-----------|--------------------|-----|
| S | B. | C. | A. | | | | | | | | 14. | 13. | 15. | |
| C | 12. | | 6.8.11. | 13. | 17. | 14. | 7. | 5. | 4. | 3. | 19. | 18. | 15. | 16. |
| R | 5. | 1. | 3. | 2.4. | 6. | | | 7.8.9. | | | | 11.15.17. | 19.14.12.13.16.18. | 20. |



| | | | | | | | | | | | | | | | | | |
|---|----|---|---|---|---|---|---|---|---|---|----|----|----|----|----|----|----|
| S | 20 | 1 | 2 | 3 | 4 | 5 | 6 | 7 | 8 | 9 | 10 | 11 | 12 | 13 | 14 | 15 | 16 |
| C | | | | | | | | | | | | | | | | | |
| R | | | | | | | | | | | | | | | | | |



SK-A I-ON-AAN-MARCHE-EIN-CONECTADO

TRA 2464

- 0.125 W/5%
- 0.25 W/5-10%
- 0.5 W/1-2%
- 0.5 W/5-10%
- 1 W/5-10%
- 2 W/5%
- 5.5 W/5-10%
- 10 W/5%
- 0.4-1.8 W/0.5%

| | | | | | | | | | | | | | | | | |
|---|----|-------|-----|--------|-----|--------|--------|------|------|----|-----|-----|--------------|--------|-----|-----|
| S | B. | D. | C. | A. | | | | | | | | | | | | |
| C | 8. | 12.9. | 6. | 20.13. | 17. | 11.14. | 5. | 7.2. | 1.4. | 3. | 19. | 18. | 15. | 16. | | |
| R | 5. | 2. | 21. | 1.7. | 6. | 3. | 9.8.4. | | | | | | 11.15.17.19. | 14.16. | 18. | 20. |

- Keramisch/500V
- Keramisch/700V
- "Pin up"/500V
- Schijf
- Styroflex/500V
- Polyester/400V
- Flat-foil polyester
- Papier/1000V

