

MISC	SK2	TS451	F462	TS452	M T468	SK1	D474...	76	BU2	TS401	D405	TS402,403	TS404a,b	BU1	S426
C								601	601	601	601	601	601	601	601
R	566...	568,572,569	570	571	501...503	507	504	505	509	506	512	510	511	508	513

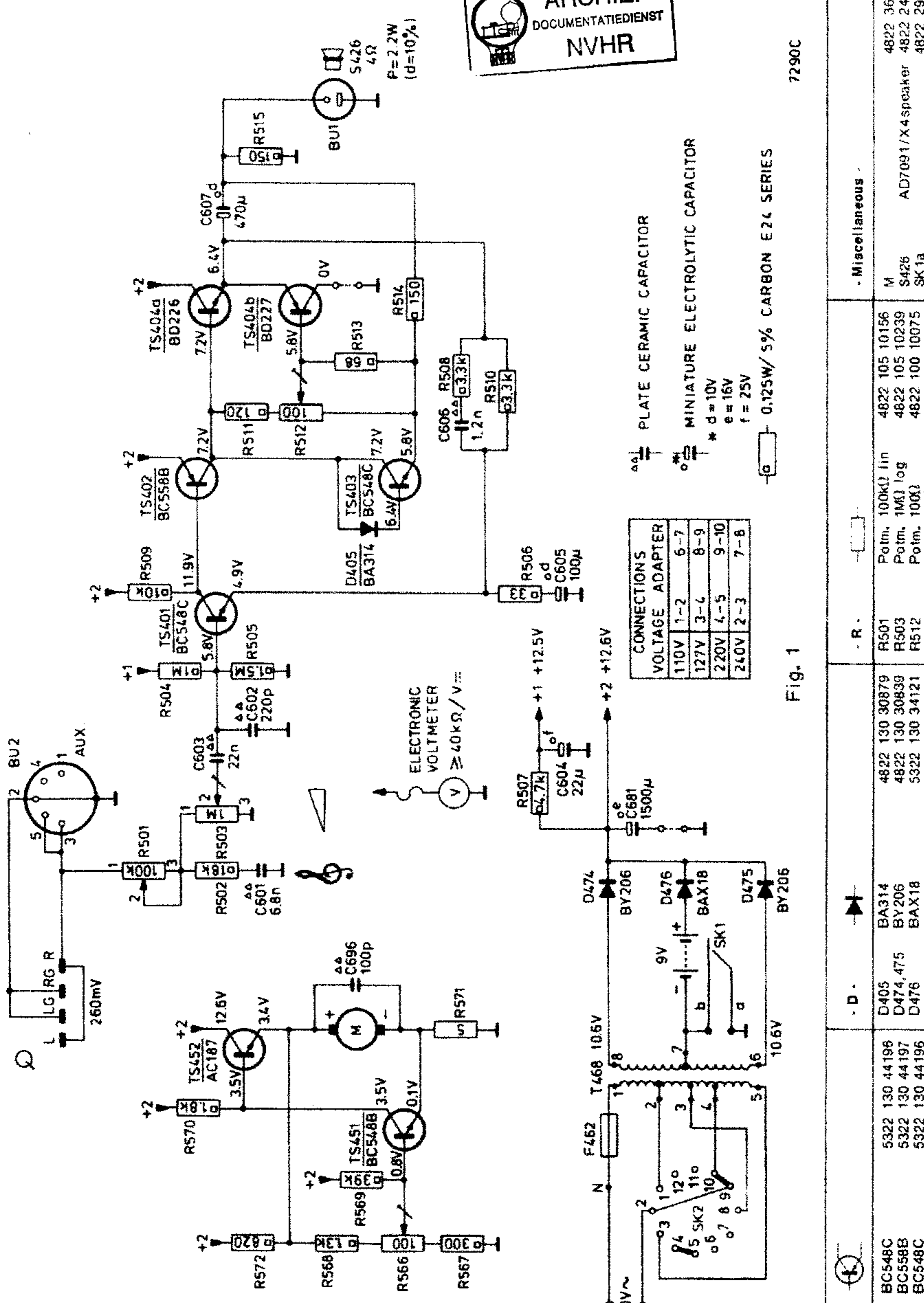


PLATE CERAMIC CAPACITOR

MINIATURE ELECTROLYTIC CAPACITOR

* d = 10V
e = 16V
f = 25V

0.125W/ 5% CARBON E24 SERIES

CONNECTIONS VOLTAGE ADAPTER	
110V	1-2 6-7
127V	3-4 8-9
220V	4-5 9-10
240V	2-3 7-8

Fig. 1

TS	D	R	Miscellaneous
TS401	BC548C	R501	M
TS402	BC558B	R503	S426
TS403	BC548C	R512	AD7091/X4 speaker
TS404a	BD226 matched	R566	SK1a
TS404b	BD227 pair	R571	SK1b
TS451	BC548B		F462
TS452	AC187		Mains transformer
			4822 361 70264
			4822 240 10021
			4822 290 80225
			4822 290 80226
			4822 252 20007
			4822 145 20151