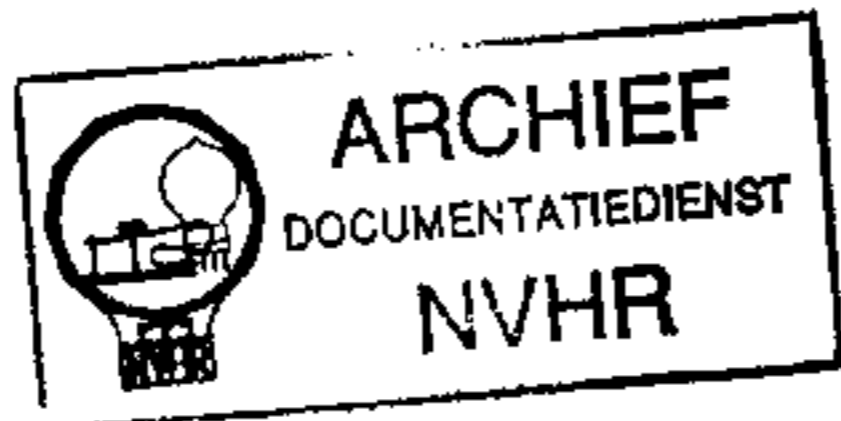


**PHILIPS**

*Service*



**GRAMOPHONES**

**22GF432/02-04-16-22-33-43-64**



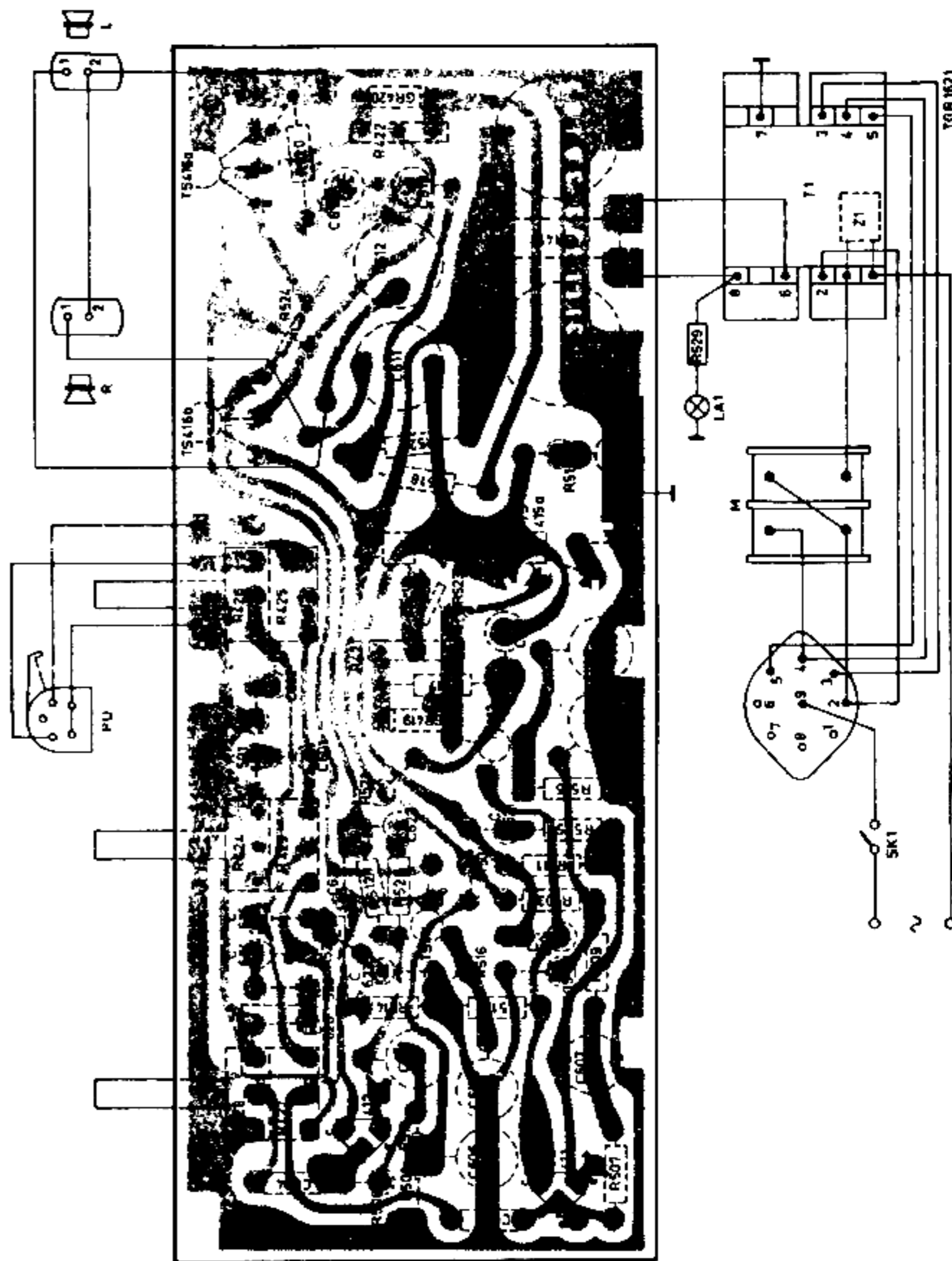
TGR1705

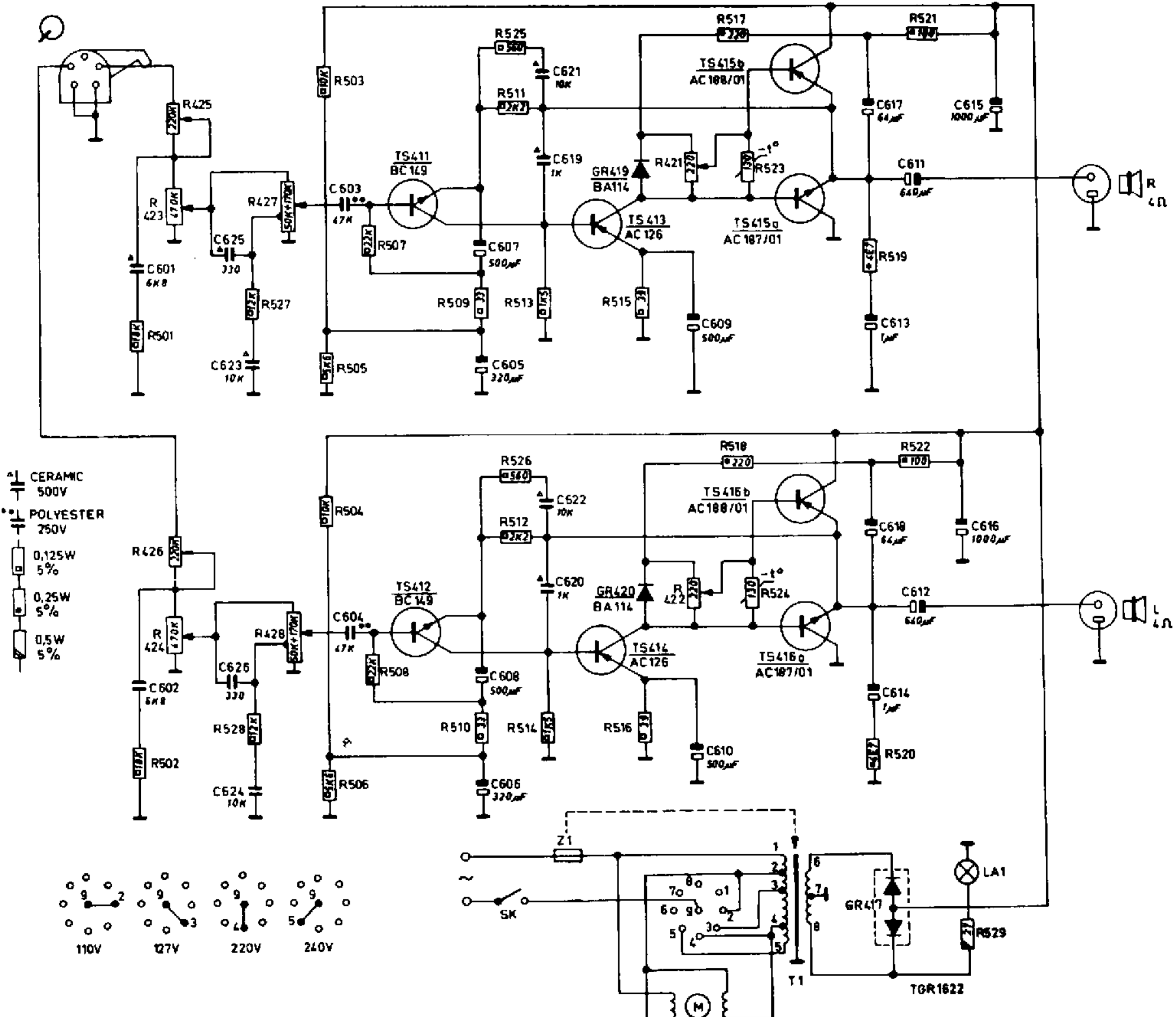


The 22GF432 is a record-player with transistor stereo amplifier in wooden case.  
For repairs and replacements of parts, see the Service Notes of the 22GC032, with the exception of the code numbers in the list of mechanical parts.

Technical data

|                       |  |
|-----------------------|--|
| Speeds                | 33 1/3-45-78                                   |
| Supply voltage        | 110-127-220-240 V - 50 Hz<br>22GF432/64: 60 Hz |
| Output power          | 1,7 W (d = 10 %)                               |
| Power consumption     | 14 W   |
| Loudspeaker impedance | 4 Ω  |
| Semi-conductors       | 2xBA114-2xBC109<br>2xAC126<br>2xAC187/AC188/01 |
| P. U. heads           | GP308-GP310-<br>GP224-GP228                    |
| Stylus pressure       | 4-8 gram                                       |
| Dimensions            | 410x265x180 mm                                 |





- CERAMIC 500V
- POLYESTER 250V
- 0,125W 5%
- 0,25W 5%
- 0,5W 5%

