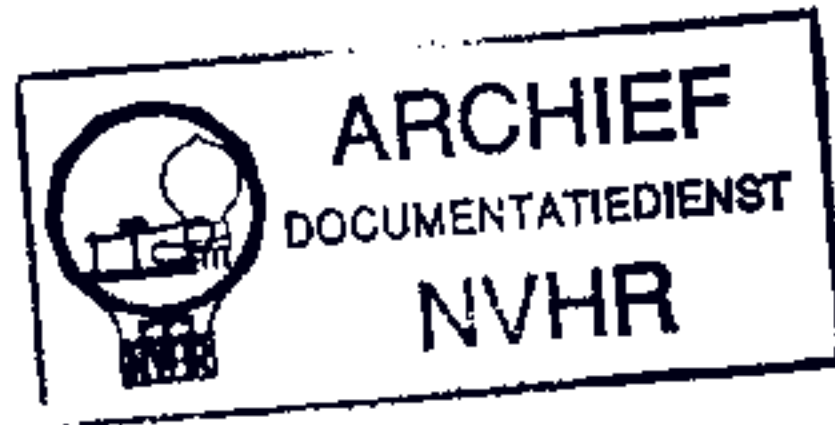


Service
Service
Service

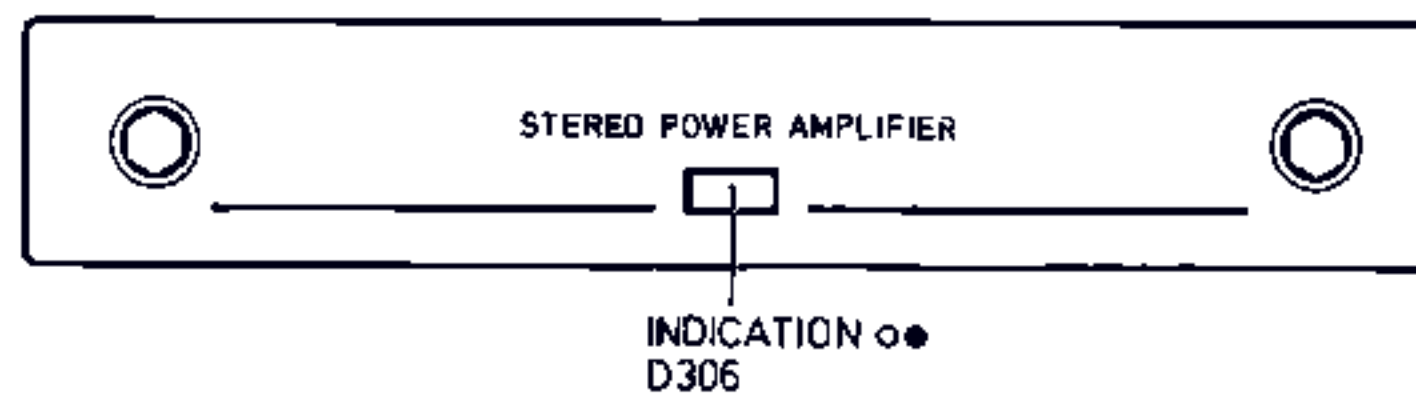
Met dank aan www.radiomuseum-hengelo.nl

Ned. Ver. v. Historie v/d Radio

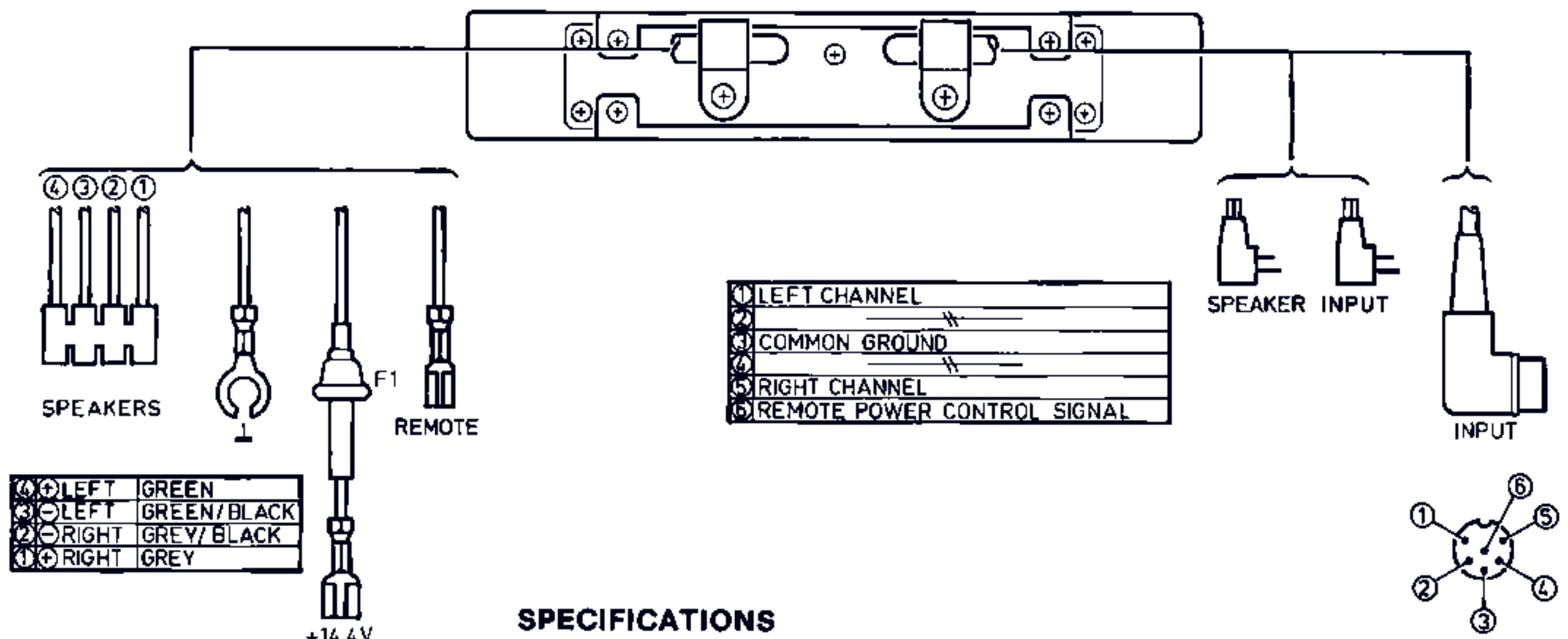


Service Manual

12 V



30128 A19



SPECIFICATIONS

14.4 V/4 Ω 20 W (d ≤ 10%)

150x 25 x 120 mm

32 171 C7



GB SERVICING HINTS

- In case of a defective fuse holder the entire cable may be replaced by power-supply cable 4822 321 20334; the fuse should be replaced by a 8 A (T) (delayed) fuse, code number 4822 253 20029.

NL REPARATIEWENKEN

- Bij een defect aan de zekeringhouder kan men de gehele kabel vervangen door de voedingskabel met codenr. 4822 321 20334 en de zekering te vervangen door een van 8A (T) met kodenr. 4822 253 20029.

F CONSEILS DE DEPANNAGE

- En cas de defectuosité du porte-fusible, on peut remplacer le câble complet par le câble d'alimentation 4822 321 20334; le fusible doit alors être remplacé par un fusible de 8A (T), code 4822 253 20029.

D REPARATURHINWEISE

- Ist der Sicherungshalter schadhaft, lässt sich das ganze Kabel ersetzen durch das Stromversorgungskabel mit der Codenummer 4822 321 20334 und lässt sich die Sicherung ersetzen durch eine von 8A (träge) mit der Codenummer 4822 253 20029.

I CONSIGLI PER IL SERVIZIO

- Nel caso in cui vi sia un porta-fusibile difettoso, si deve sostituire il cavo completo codice 4822 321 20334; il fusibile deve essere sostituito con uno da 8A (T) ritardato, codice 4822 253 20029.

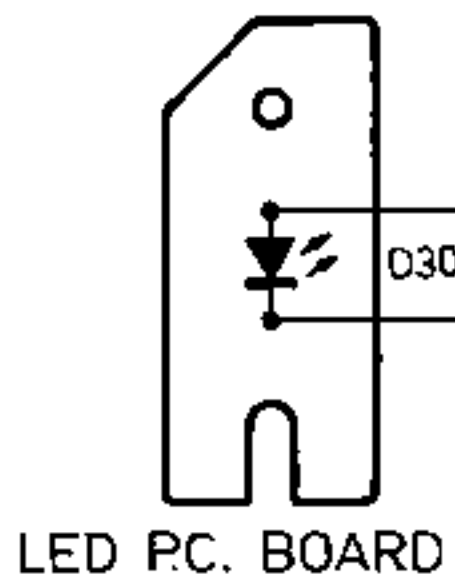
MECHANICAL PARTS

Cover assy	4822 454 11119
Supply lead	4822 321 20334
DIN plug 6P	4822 264 40027
LS plug	4822 267 40415

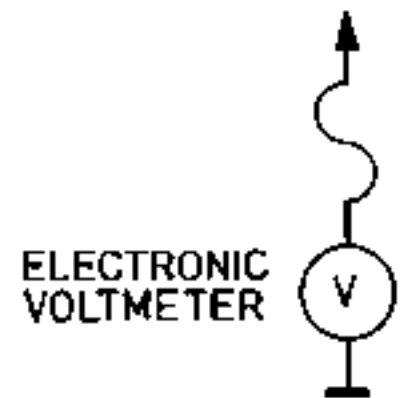
TS201
e=2.8V
b=3.2V
c=6.2V

TS301
e=9.0V
b=9.6V
c=14.0V

TS302
e=0.0V
b=0.7V
c=-

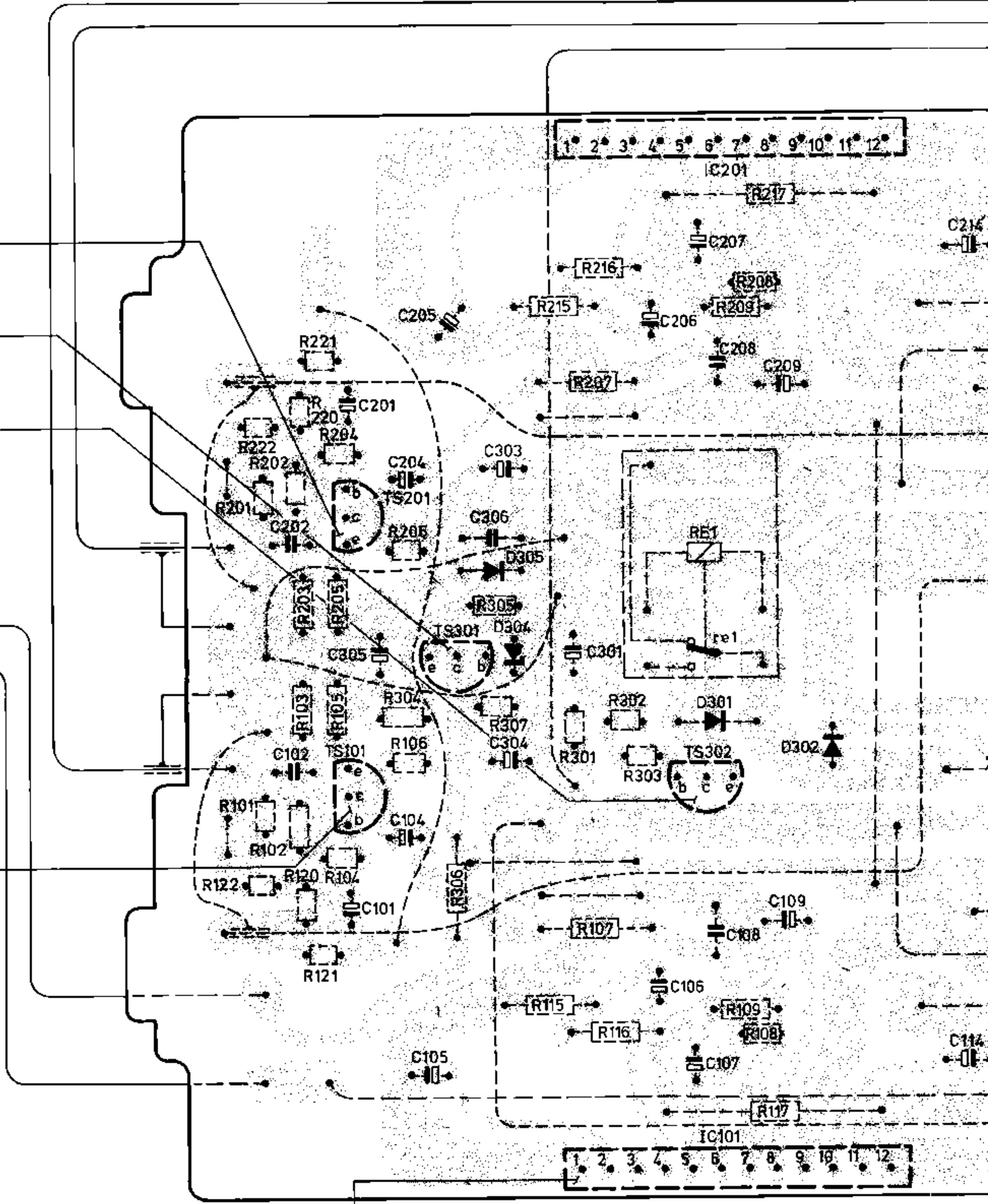
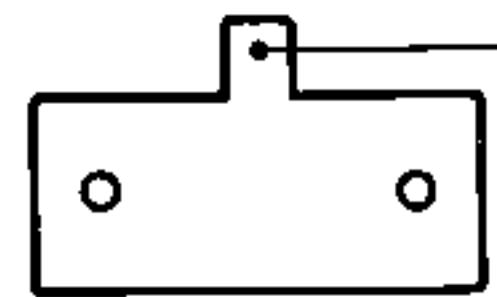


TS101
e=2.8V
b=3.2V
c=6.2V



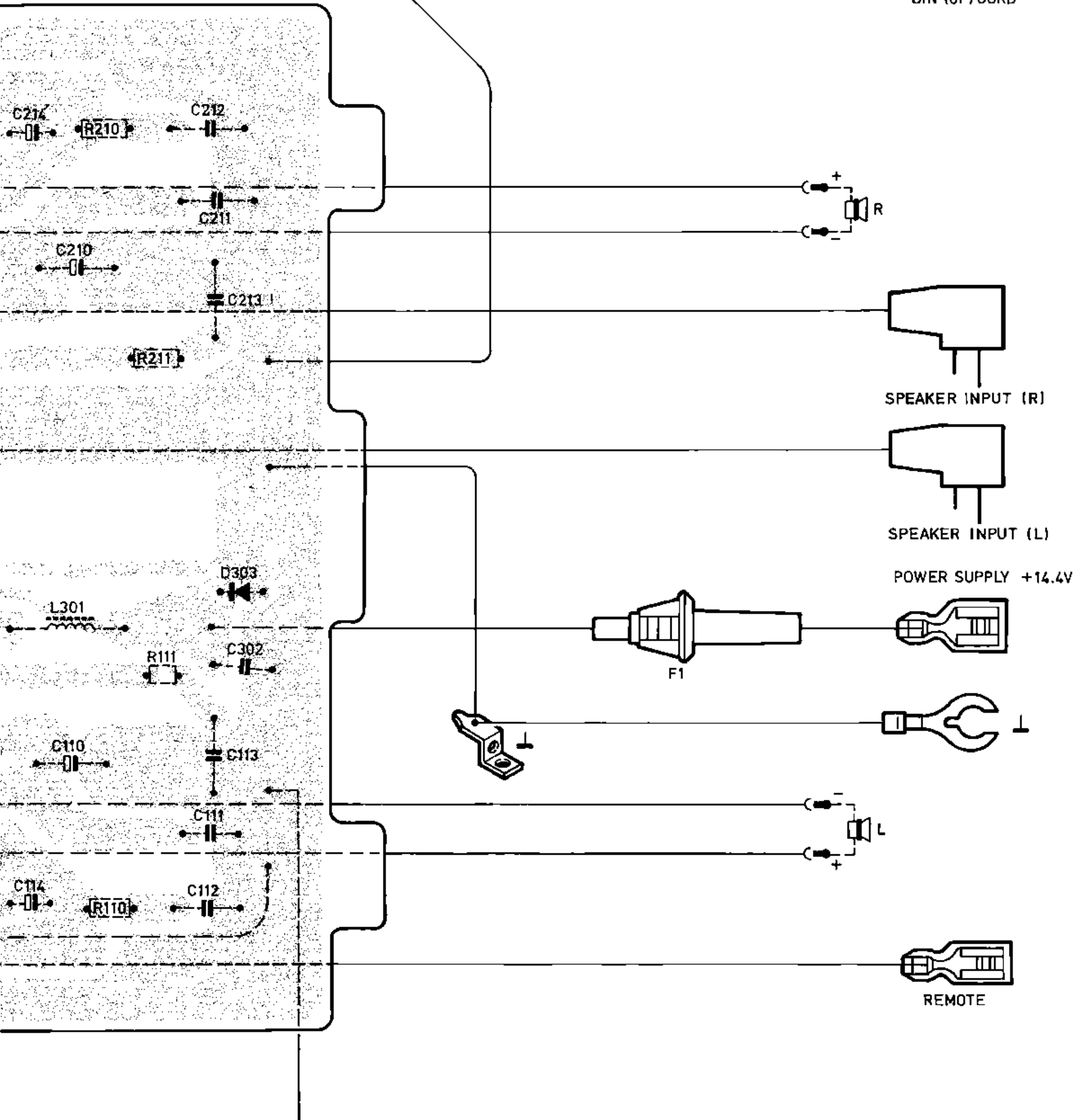
IC101,201

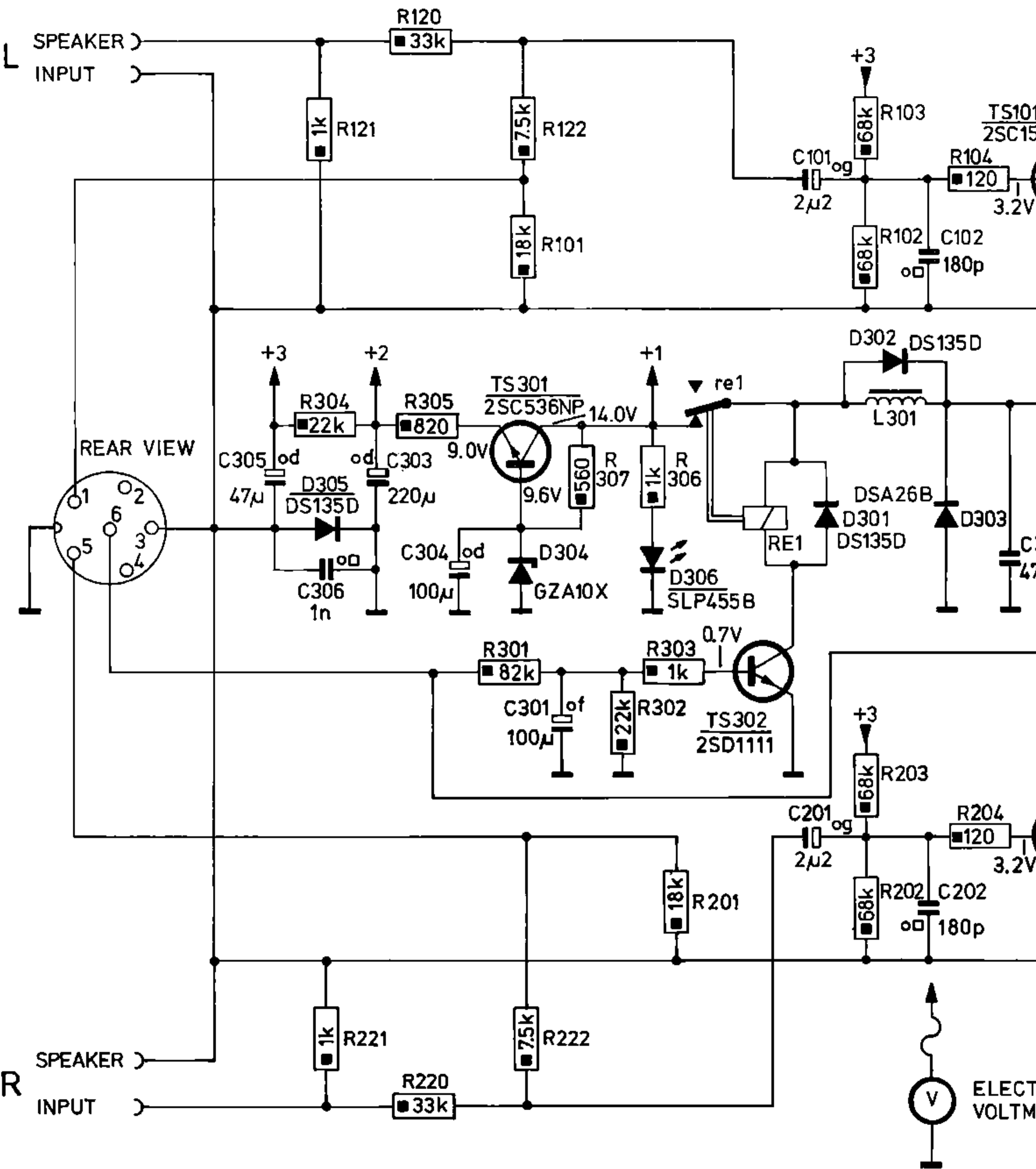
1	= 6.8V
2	= 13.5V
3	= -
4	= 1.2V
5	= 1.2V
6	= 0.0V
7	= 0.0V
8	= 14.0V
9	= 14.0V
10	= 13.5V
11	= 6.8V
12	= 0.0V

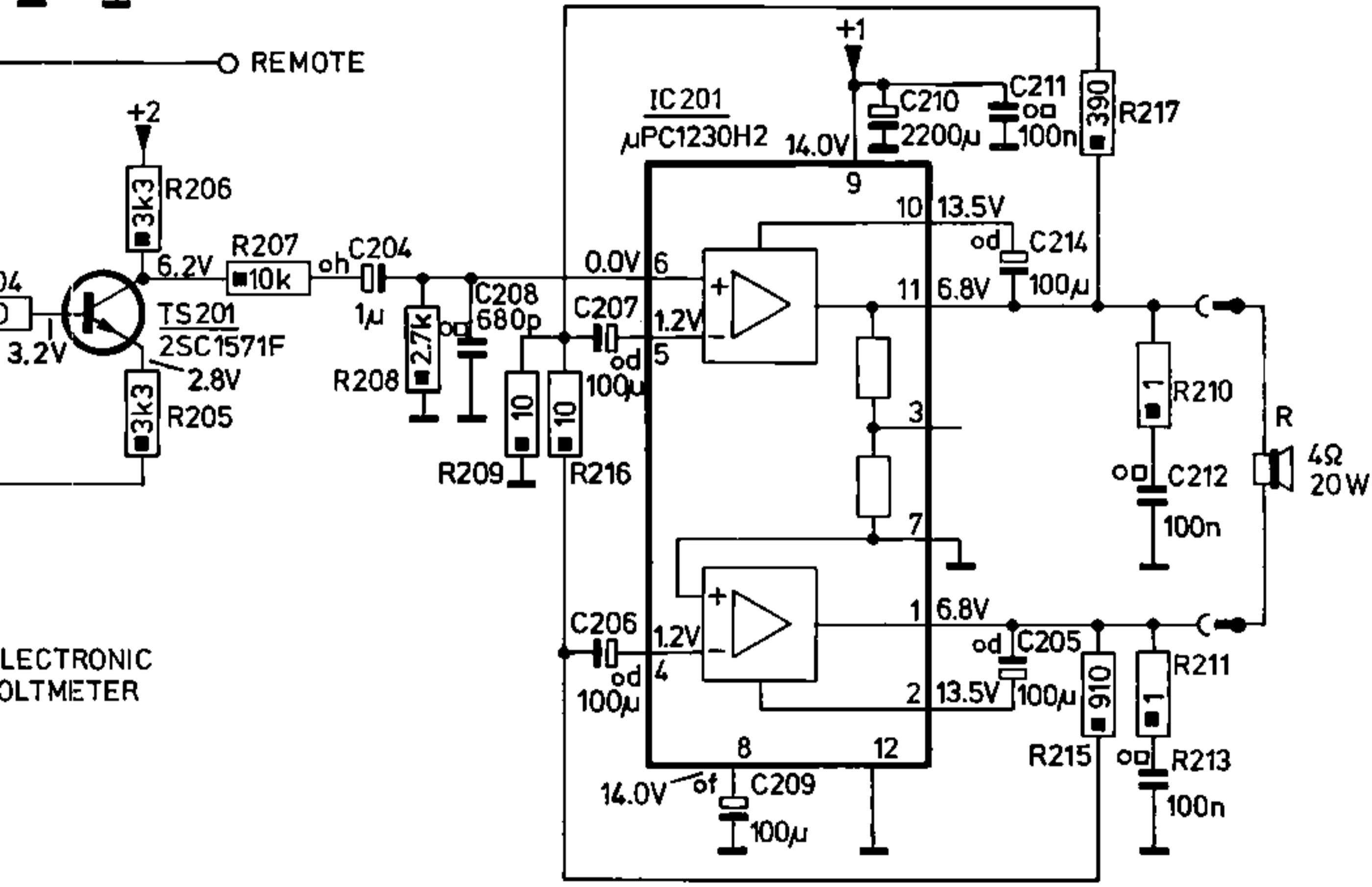
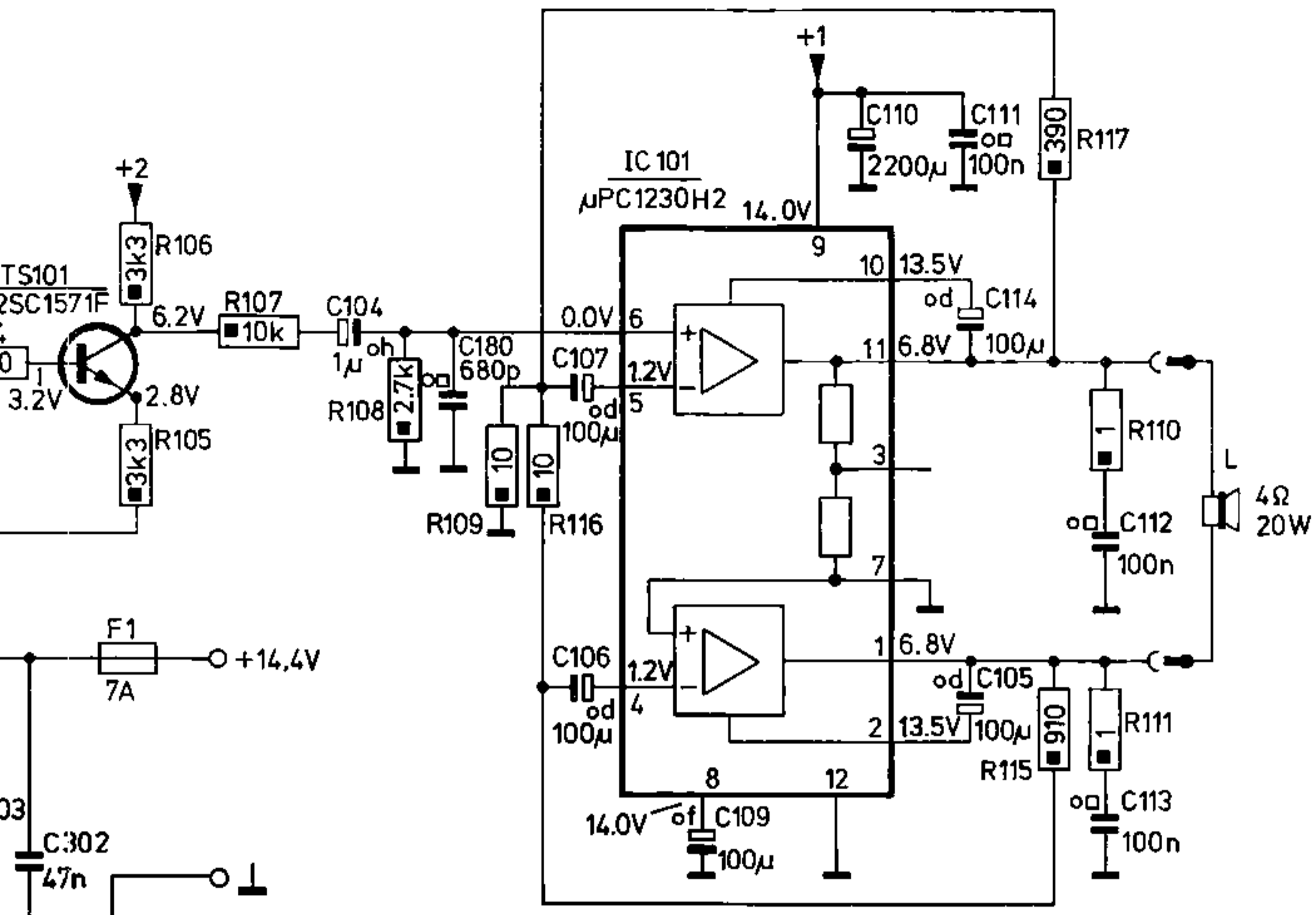


TOP VIEW

DIN (6P) CORD







ELECTRONIC
VOLTMMETER

-D-					
DSA26B		4822 130 31858		C110	Elco 2200 μ F/16 V/20% 4822 124 20866
DS135D		4822 130 31563		C210	Elco 2200 μ F/16 V/20% 4822 124 20866
GZA10X		4822 130 31865		C302	Cercap. 47 nF/10 V 4822 122 31801
LED SLP455B		4822 130 31861			
-TS-				Miscellaneous	
2SC1571F		4822 130 41925		F1	Fuse 8A (20 mm) 4822 253 20029
2SC536NP		4822 130 41397		L301	Choke 0.2 mH 4822 156 10669
2SD1111		4822 130 41972		RE1	Relay 12 V/3A 4822 280 70208
-IC-					
UPC1230H2		4822 209 81373			

	Carbon film 0.2 W 70°C 5%		Ceramic plate Tuning \leq 120 pF NP.0 2% Others -20/+80%	*a = 2,5 V b = 4 V c = 6,3 V d = 10 V e = 16 V f = 25 V g = 40 V h = 63 V i = 100 V l = 125 V m = 150 V n = 160 V q = 200 V r = 250 V s = 300 V t = 350 V u = 400 V v = 500 V w = 630 V x = 1000 V A = 1,6 V B = 6 V C = 12 V D = 15 V E = 20 V F = 35 V G = 50 V H = 75 V I = 80 V
	Carbon film 0.33 W 70°C 5%		Polyester flat foil 10%	
	Metal film 0.33 W 70°C 5%		Metalized polyester flat film 10%	
	Carbon film 0.5 W 70°C 5%		Polyester flat foil small size (Mylar) 10%	
	Carbon film 0.67 W 70°C 5%		Polystyrene film/foil 1%	
	Carbon film 1.15 W 70°C 5%		Tubular ceramic	
	Chip component		Miniature single	
			Subminiature tantalum \pm 20%	

27 037A/C