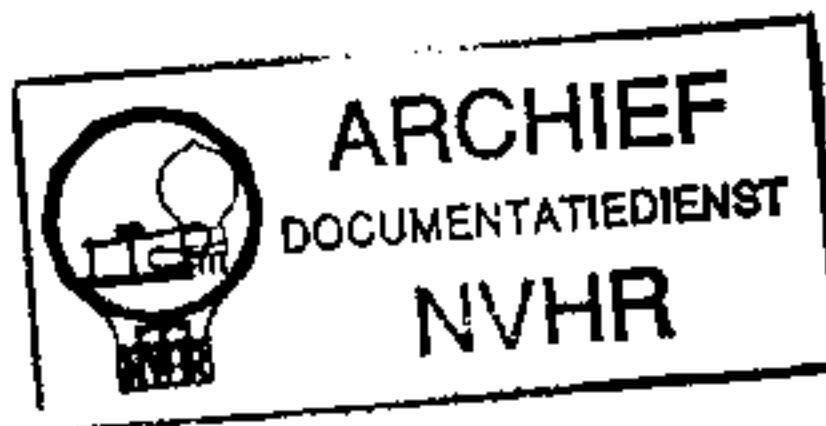


Service
Service
Service

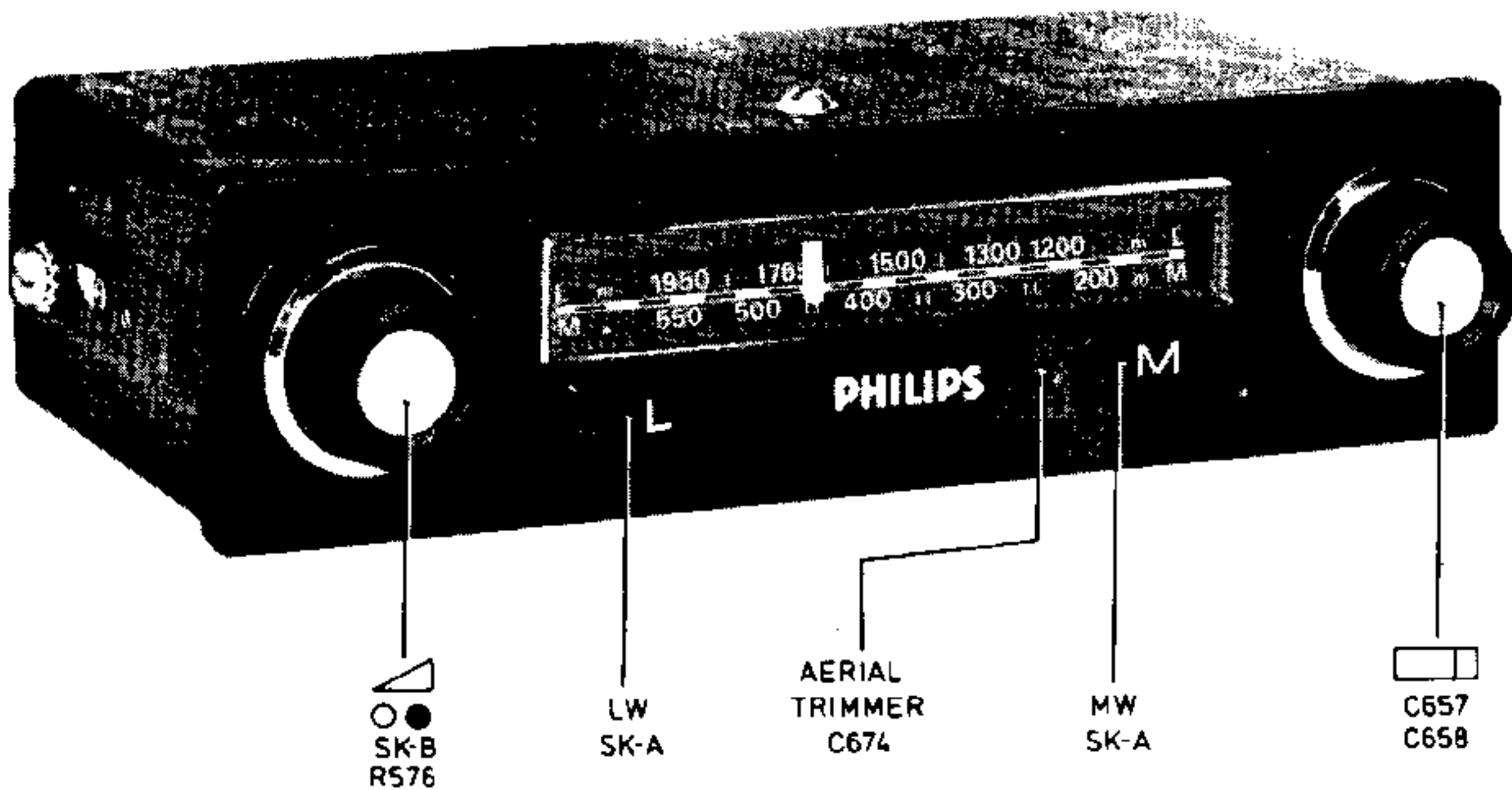
Met dank aan www.radiomuseum-hengelo.nl

Ned. Ver. v. Historie v/d Radio



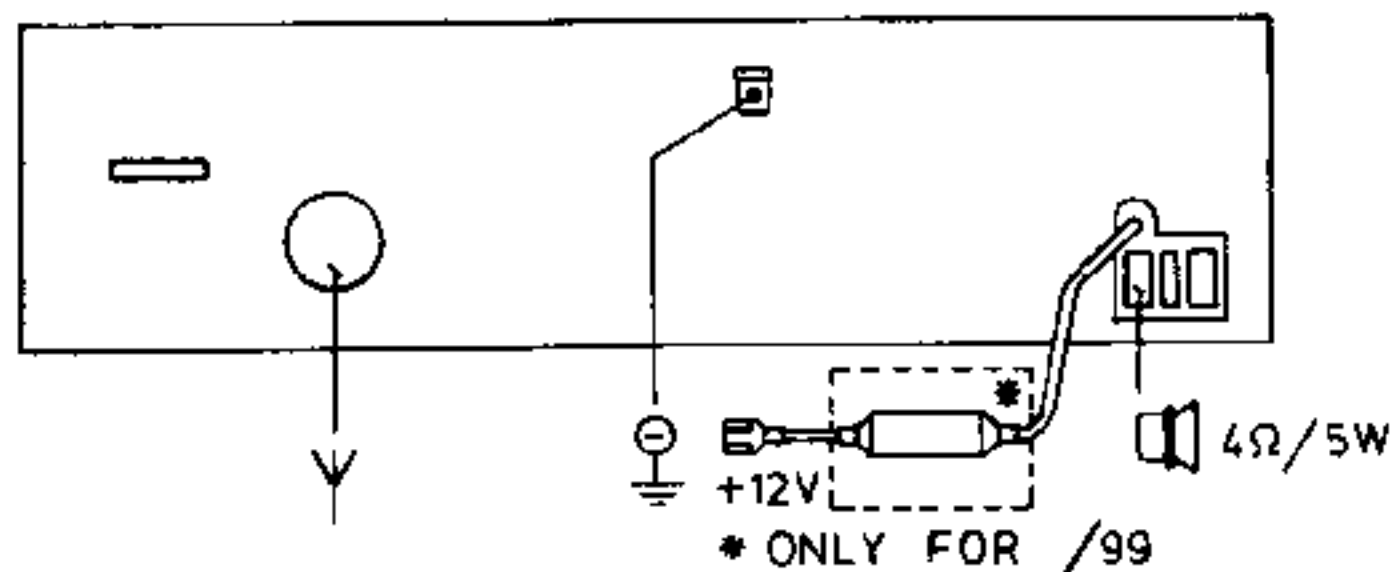
Service Manual

12 V



10127 B12

MW: 508-1700kHz
 LW: 164-267kHz
 IF: 468kHz
 (14V) 5W ($d \leq 10\%$) -4Ω
 162 x 41 x 76mm



10126A12

Documentation Technique Service Dokumentation Documentazione di Servizio Huolto-Ohje Manual de Servicio Manual de Serviço

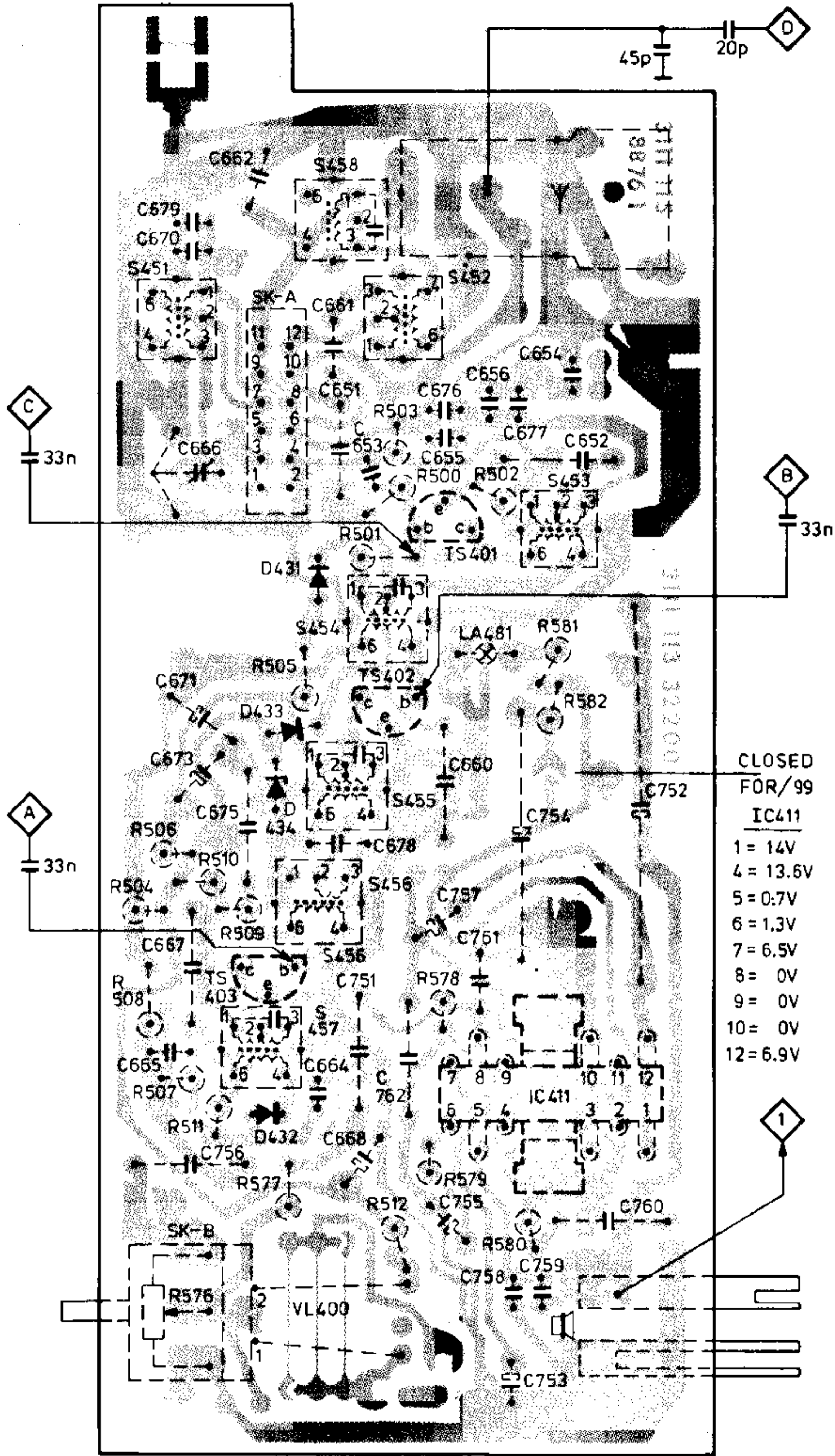


CS55806

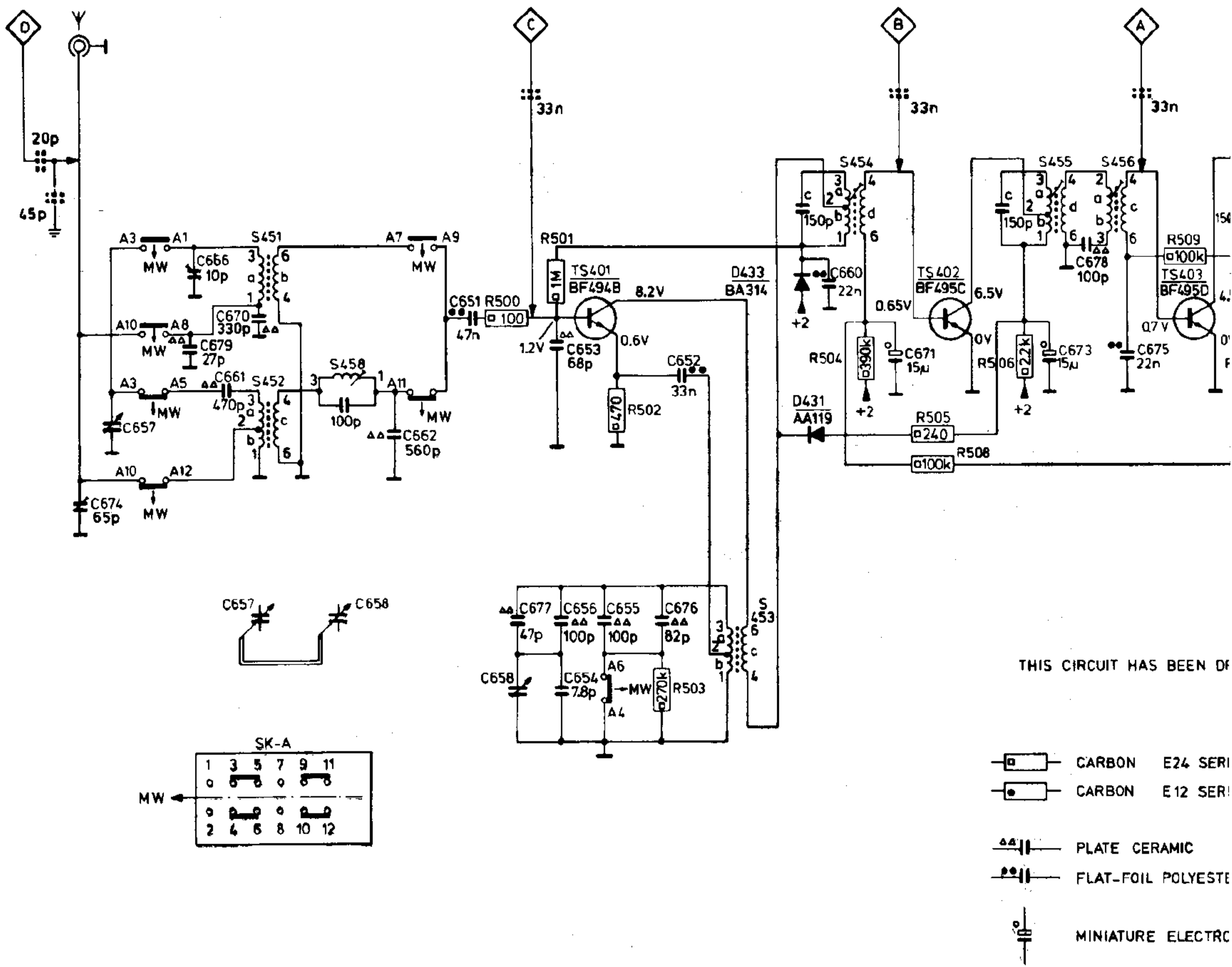
Subject to modification
 4822 725 12057
 Printed in The Netherlands

PHILIPS

MISC	S	C	R
		662	
	458	679	
		690	
SK-A	452		
	451		
		661	
		654	
		651	
		656	
		676	503
		677	
		652	500
		655	502
		653	
		666	
TS401	453		501
D431			
	454		
LA481		674	581
			505
TS402		671	582
D433		660	
	455	673	
D434		752	
		675	
		754	506
		678	510
	456	657	
		658	504
		757	509
		761	
TS403		667	
		751	578
			508
	457	665	
		762	507
IC411		664	511
D432		756	
		668	
		755	579
		760	577
			512
			580
SK-B		759	
		758	
VL400			576
		753	



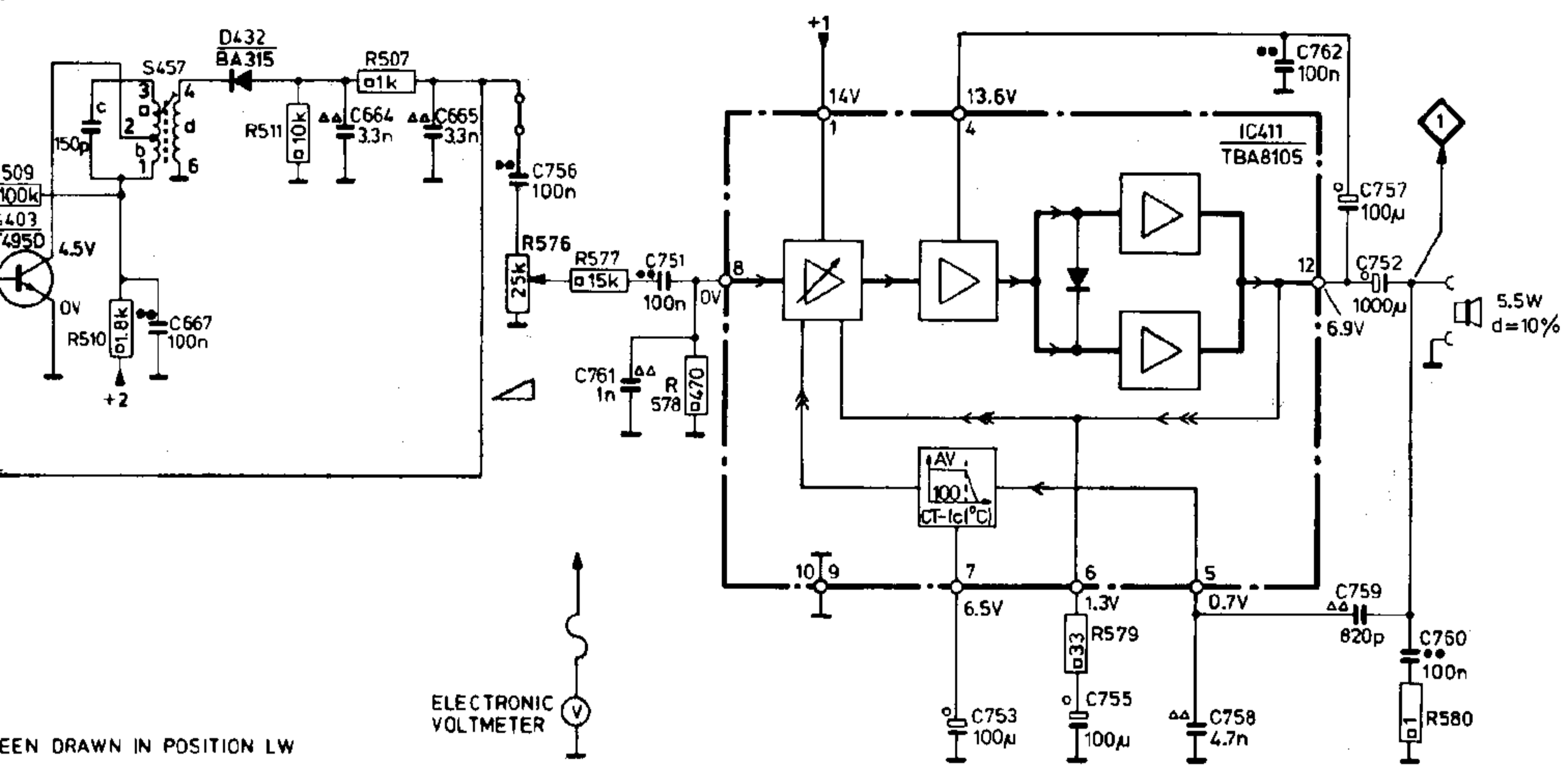
S	451,452	458		453		454		455	456	
C	674	657 679,666, 661, 670	662	651, 677, 658, 656, 654, 653, 655, 676, 652		660	671	673	678	675
R			500	501, 502	503	504	505, 508	506		509
MISC				TS401		D433, D431	TS402			TS403



THIS CIRCUIT HAS BEEN DE

-D-					-TS-			
431	AA119	5322	130	40229	401	BF494B	} 40835	4822 130 40949
432	BA315	4822	130	30843	402	BF495C		
433	BA314	4822	130	30879	403	BF495D		
434	BZX79/C9V1	5322	130	30667				
-S-					-C-			
451		4822	156	40633	654	7.8 pF ± 0.25 pF	4822	122 40106
452		4822	156	40631	657,658	Var.cap.	4822	125 20194
453		4822	156	40632	666	Trimmer 10 pF	4822	125 50062
454,455		4822	153	20224	674	Trimmer 65 pF	4822	125 50017
456		4822	153	20225				
457		4822	153	20226				
458		4822	153	50215				
459 (only for /99)		4822	321	20261				
					-Miscellaneous-			
		R576		25 kΩ log.			4822	101 50186
		R581		NTC - 50 Ω			4822	116 30008
		LA481		Lamp 12 V - 100 mA			4822	134 40311
		IC411		TBA810SH			4822	209 80297

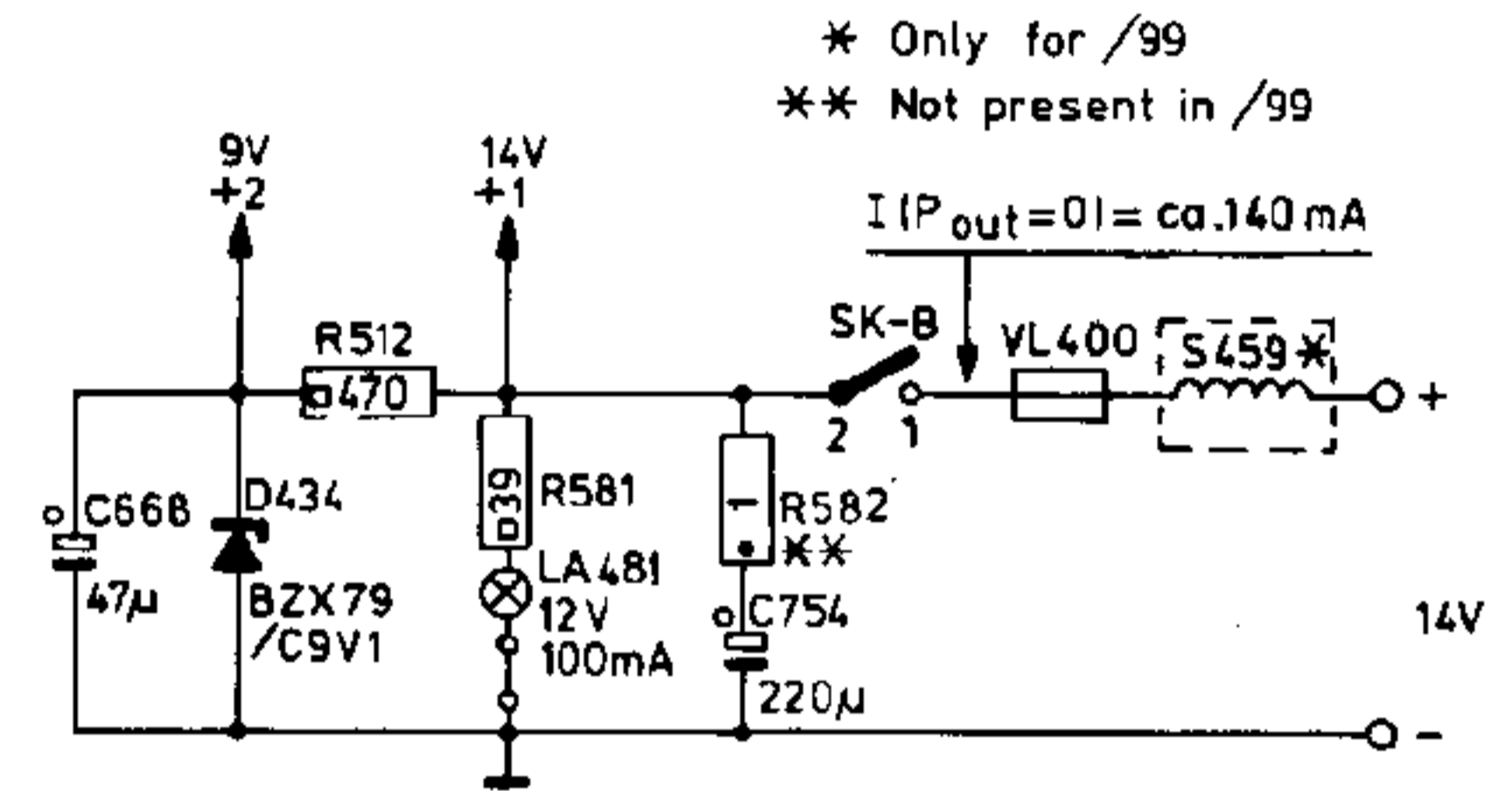
457	459	S	
667	664. 665. 756. 761.751.	668 753 755 754.758 762.759.752.757.760	C
509 510. 511. 507. 576 577 578	512.581.579 582	580	R
5403. D432.	D434 LA481 SK-B.IC411.VL400	MISC.	



ELECTRONIC VOLTMETER

BEEN DRAWN IN POSITION LW

- RESISTOR SERIES 0.125W 5%
- RESISTOR SERIES 0.25W < 1MΩ 5%
- RESISTOR SERIES 0.25W > 1MΩ 10%
- RESISTOR POLYESTER
- RESISTOR ELECTROLYTIC



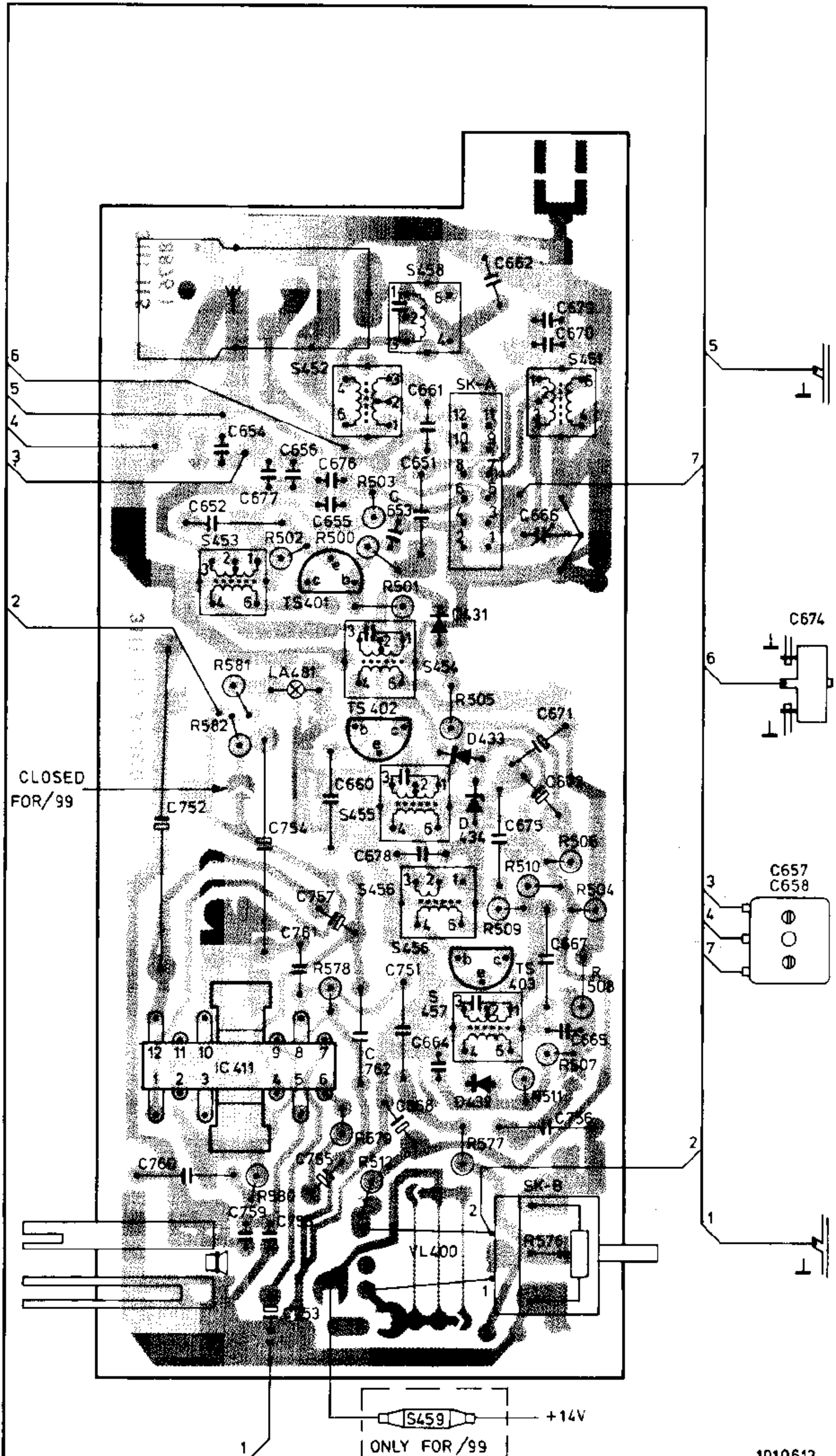
* Only for /99
 ** Not present in /99

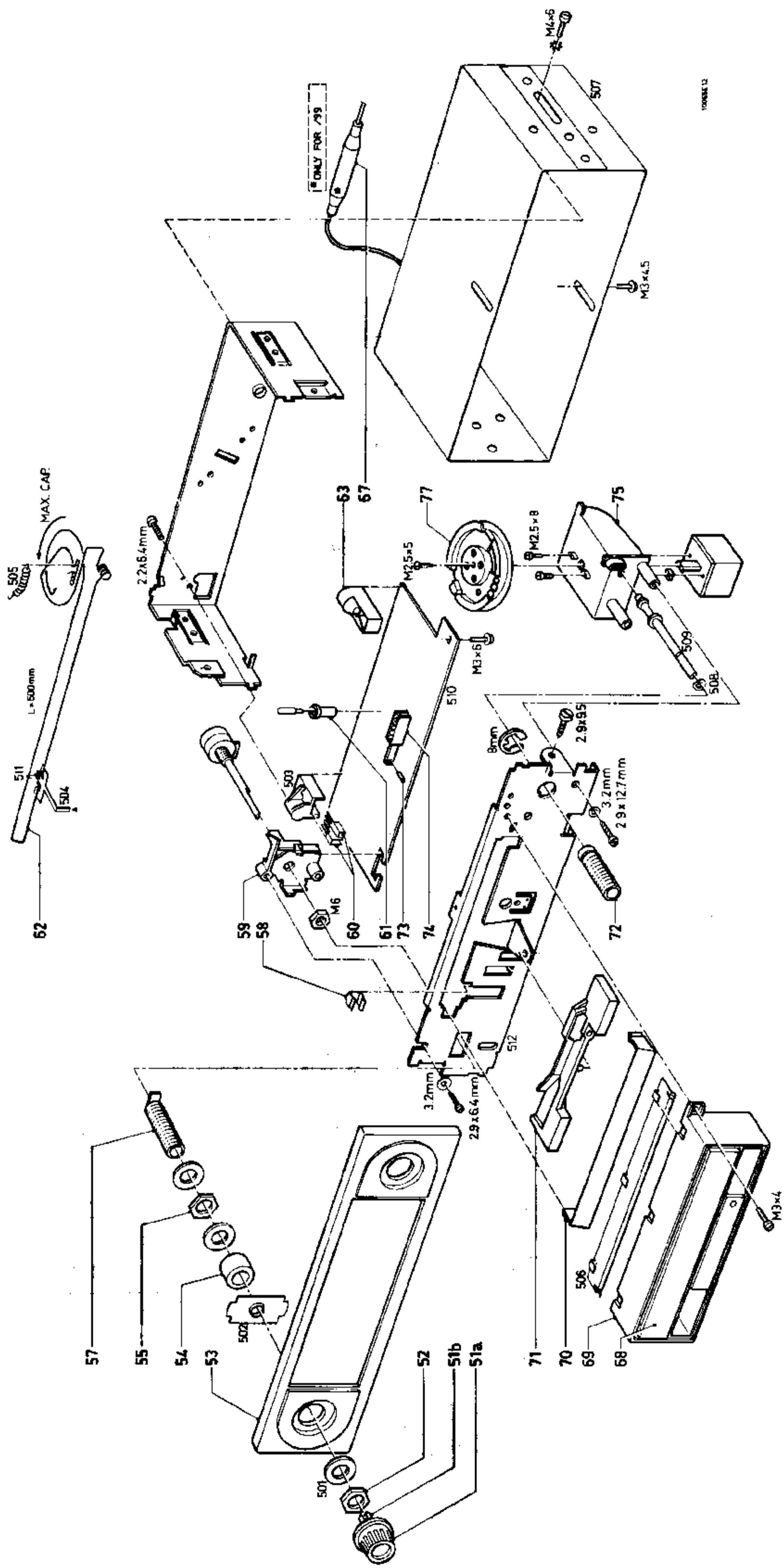
9075D12

949
106
194
062
017
186
008
311
297

SK...						
MW (508-1700 kHz)	468 kHz		Max.	S454, 455, 456	S457	
					S456, 455	
					S454	
LW (146-267 kHz)	114 kHz		Max.	C666 in mid-position C674 min.capacity	S453	
	158 kHz				S452	
	240 kHz				C674	
MW (508-1700 kHz)	550 kHz				S451	
	1550 kHz				C666	
LW (146-267 kHz)	1111 kHz		1714 m		S458	

MISC	S	C	R
		662	
	458	679	
		690	
SK-A	452		
	451		
		661	
		654	
		651	
		656	
		676	503
		677	
		652	500
		655	502
		653	
		666	
TS 401	453		501
D431			
	454		
LA481		674	581
			505
TS 402		671	582
D433		660	
	455	673	
D434		752	
		675	
		754	
		678	506
		657	510
	456	658	
		757	504
		761	509
TS 403		667	
		751	578
			508
	457	665	
		762	507
IC 411		664	511
D432		756	
		668	
			579
		755	577
		760	512
			580
SK-B		759	
VL 400		758	576
		753	
S459			





51a	4822 413 40617	61	4822 255 20068	74	4822 277 30593
51b	4822 492 61477	62	4822 321 30084	75	4822 404 20206
52 (mounting material)	4822 310 10129	63	4822 267 30266	77	4822 528 80559
53	4822 460 10383	67	4822 321 20261		
54	4822 532 60588	68	4822 333 20019		
55	4822 505 10463	69	4822 423 40335		
57	4822 532 30264	70	4822 331 20057		
58	4822 492 61889	71	4822 411 50291		
59	4822 404 10212	72	4822 532 30265		
60	4822 278 90317	73	4822 535 10046		