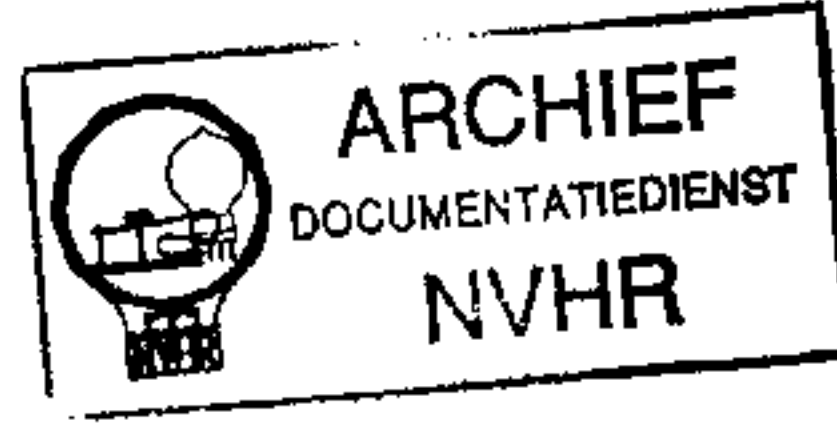


Service  
Service  
Service

Met dank aan [www.radiomuseum-hengelo.nl](http://www.radiomuseum-hengelo.nl)

Ned. Ver. v. Historie v/d Radio



# Service Manual

12 V



SK-B  
R576

LW  
SK-A

AERIAL  
TRIMMER  
C674

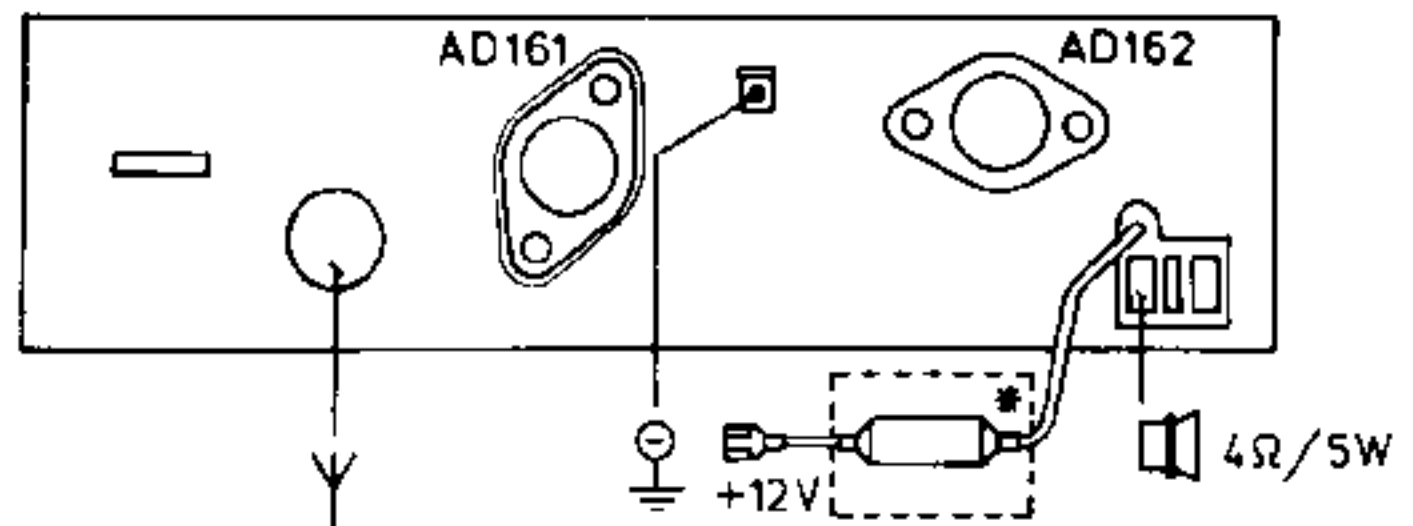
MW  
SK-A

C657  
C658

\* ONLY FOR /58/98

830587

MW: 508-1700 kHz  
LW: 146-267 kHz  
IF: 457 kHz -/50  
: 468 kHz -/55/58/98  
 (14V) 5W ( $d \leq 10\%$ ) -4Ω  
 162 x 41 x 76 mm



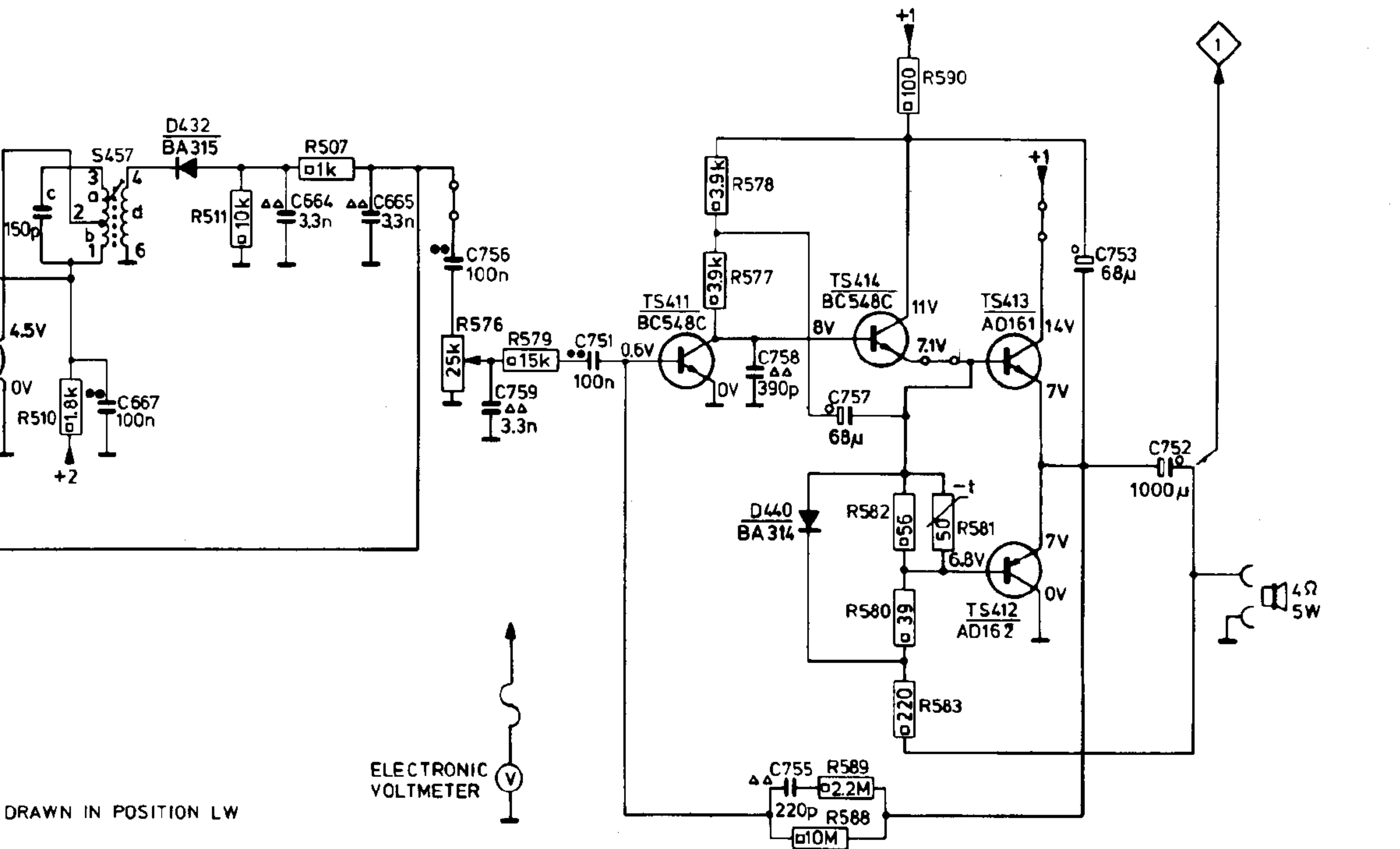
8478A7





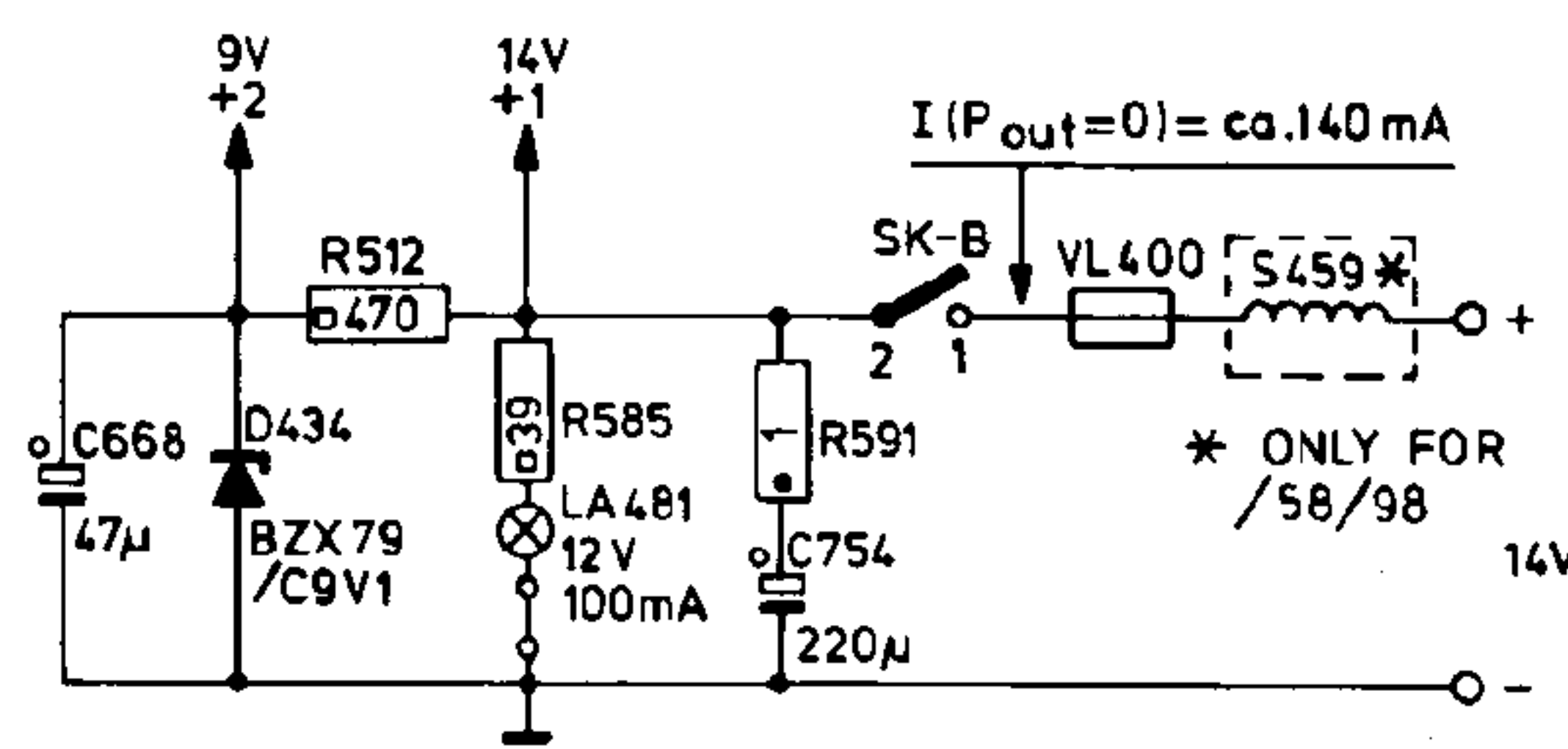






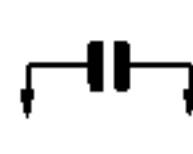




457										459	S						
667.		664.	665.	756.	759	75f.	668.	758.	755.	757.	753.	754.	752.	C			
510.		511.	507.	576.	579.		577.	578.	588.	589.	580.	583.	590	512.	585.	591	R
		D432.					TS411.	D434	D440.	TS414.	LA481.	TS413.	TS412.	SK-B.	VL400	MISC	



ELECTRONIC  
VOLTMETER

DRAWN IN POSITION LW



SK...			 			
MW (508-1700 kHz)	<b>1</b> /50 : 457 kHz /55/58/98: 468 kHz	<b>A</b> <b>B</b> <b>C</b>	Max.	S454, 455, 456	S457 S456 S455 S454	<b>1</b> max.
LW (146-267 kHz)	<b>1</b> /50 : 146 kHz /55/58/98: 144 kHz	<b>D</b>	Max.	<b>2</b>	S453	<b>1</b> max.
MW (508-1700 kHz)	158 kHz				S452	
LW (146-267 kHz)	240 kHz				C674	
MW (508-1700 kHz)	550 kHz	<b>D</b>		<b>2</b>	S451	<b>1</b> min.
LW (146-267 kHz)	1550 kHz				S458	
			(175 kHz/1714 m)			

**1** AM-1 kHz

**GB**

**2** Set C666 to mid-position and C674 to minimum capacity.

**NL**

**2** C666 in middenstand en C674 op minimum capaciteit zetten.

**F**

**2** Placer C666 en position médiane et C674 sur capacité minimale.

**D**

**2** C666 in die Mittelstellung und C674 auf Minimum bringen.

**I**

**2** Povere C666 in posizione media e C674 su capacità minima.

**S**

**2** Ställ C666 i mittläge och C674 till minsta kapacitans.

**DK**

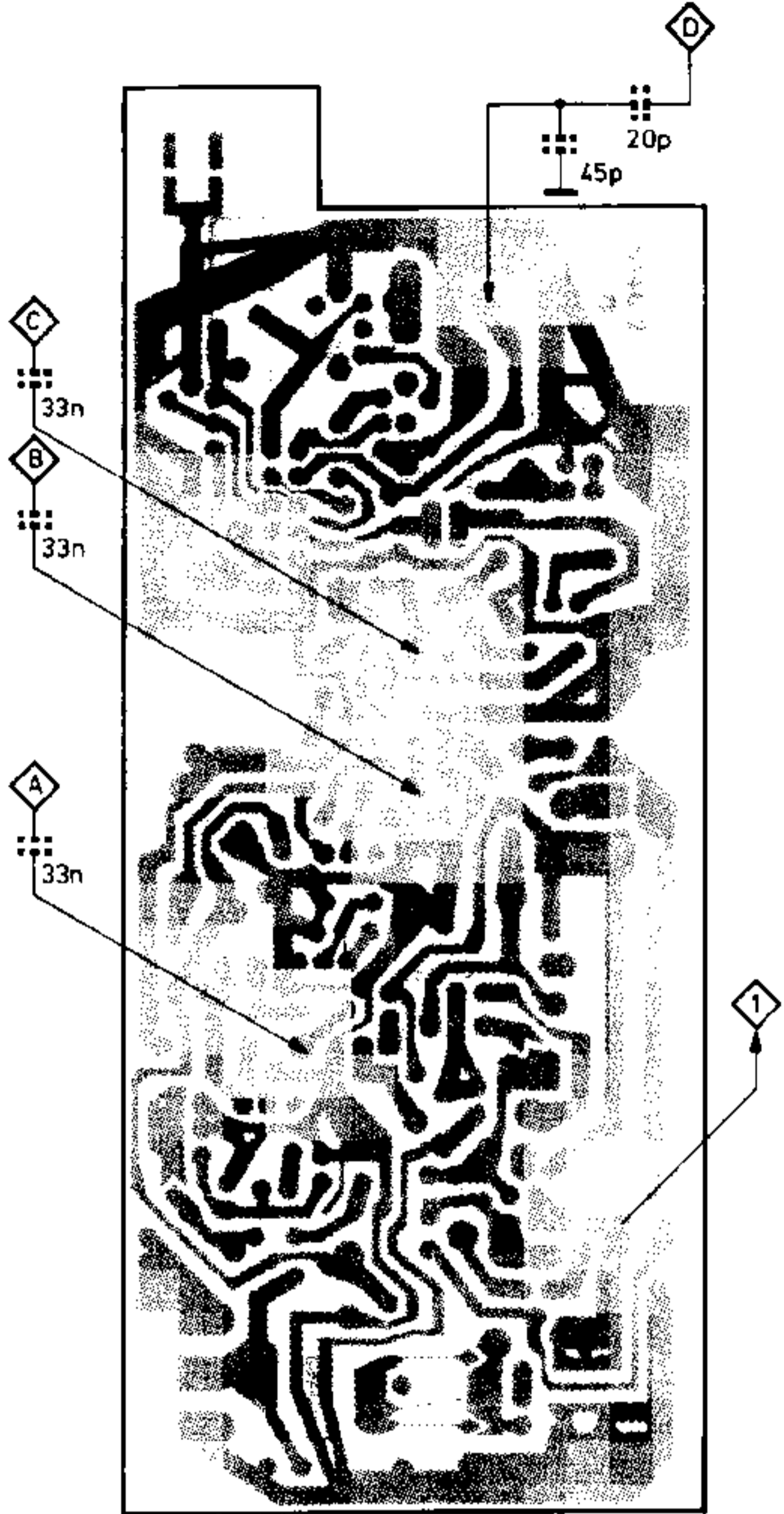
**2** Drej C666 i midterstilling og C674 til minimum kapacitet.

**N**

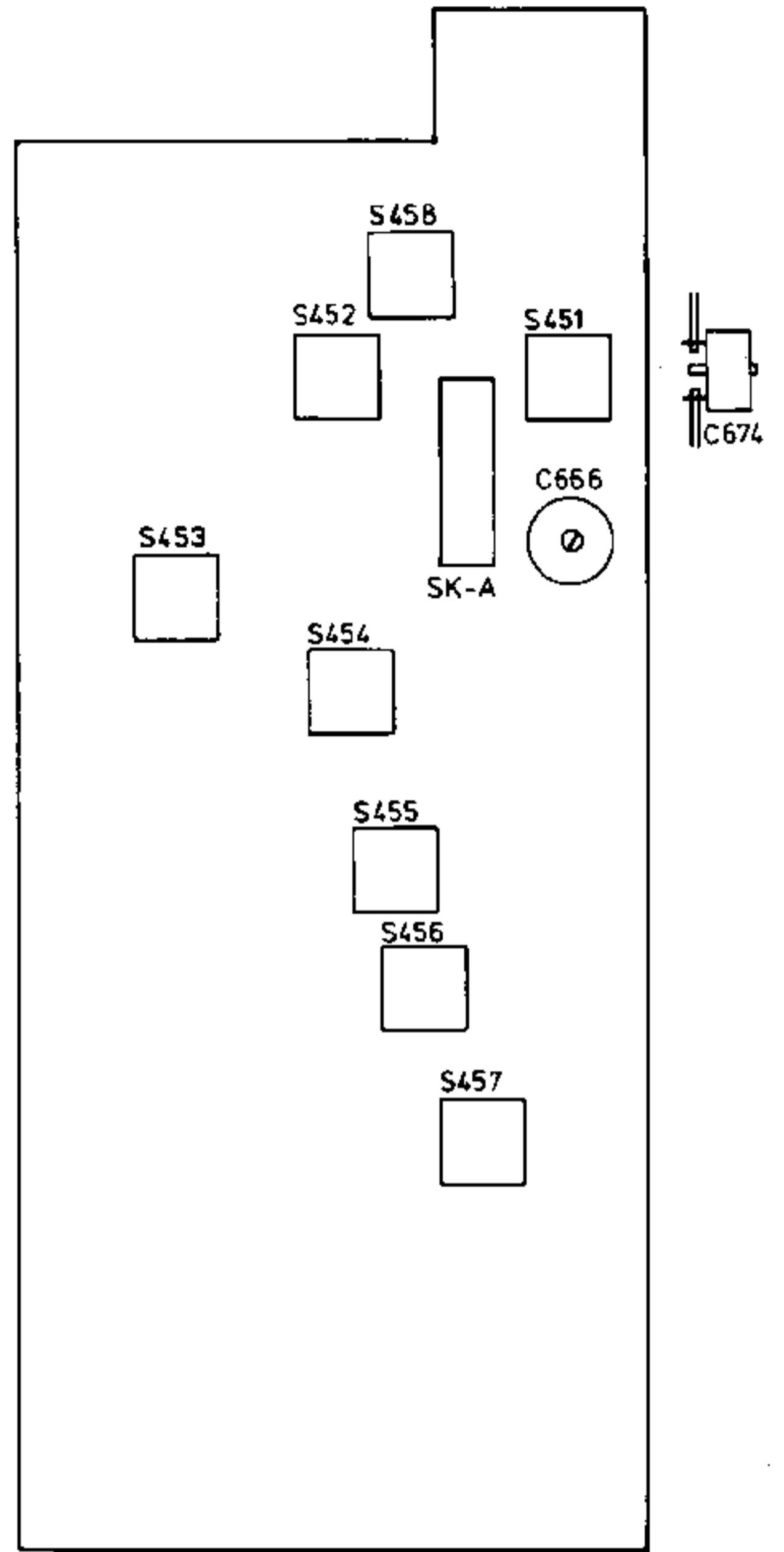
**2** Sett C666 i midtstilling og C674 til minimum kapasitet.

**SF**

**2** Sääda C666 keskiasentoon ja C674 minimiin.



8398C2



8397C2

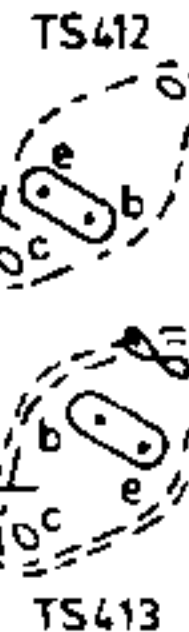
MISC	C	R
S458	662 679	
	670	
S451 S452	661 654 680 676 656	
SK-A	677 666 652	503
S453	651 655 653	500 502
D431 TS401 S454		501
LA481		585
TS402		505
D433 S455 D434	671 673 660	590
	753 675	
TS412 S456	678	506 510 578 504 589 577 509
	752	
TS403 TS414	755 667	588
S457	758	
TS411	757 751	508
	665	
TS413 D440	664	507 581
D432		511 583 582 580 579
	668	
		512
SK-B	754	591 576
VL400		
	759	
MISC	C	R

TS402  
e= 0V  
b=0.6 V  
c=6.5 V

TS403  
e= 0V  
b=0.7V  
c=4.5V

TS401  
e=0.6V  
b=1.2V  
c=8.2V

TS412  
e=7 V  
b=6.8V  
c= 0V

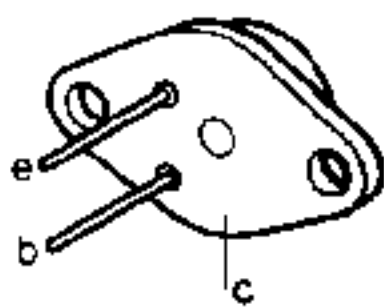
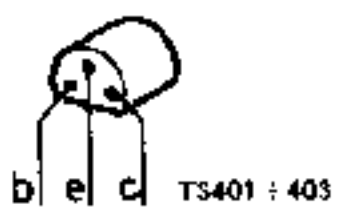


TS413  
e=7 V  
b=7.1V  
c=14 V

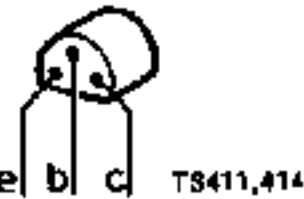
TS411  
e= 0V  
b=0.6V  
c= 8V

TS414  
e= 7.1V  
b= 8V  
c= 11 V

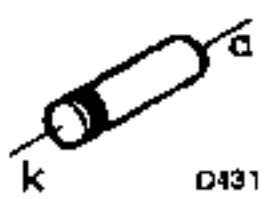
8396C2



TS412,413



TS411,414



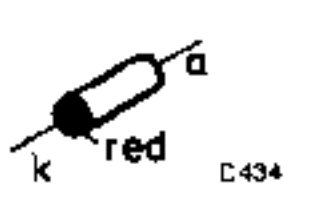
D431



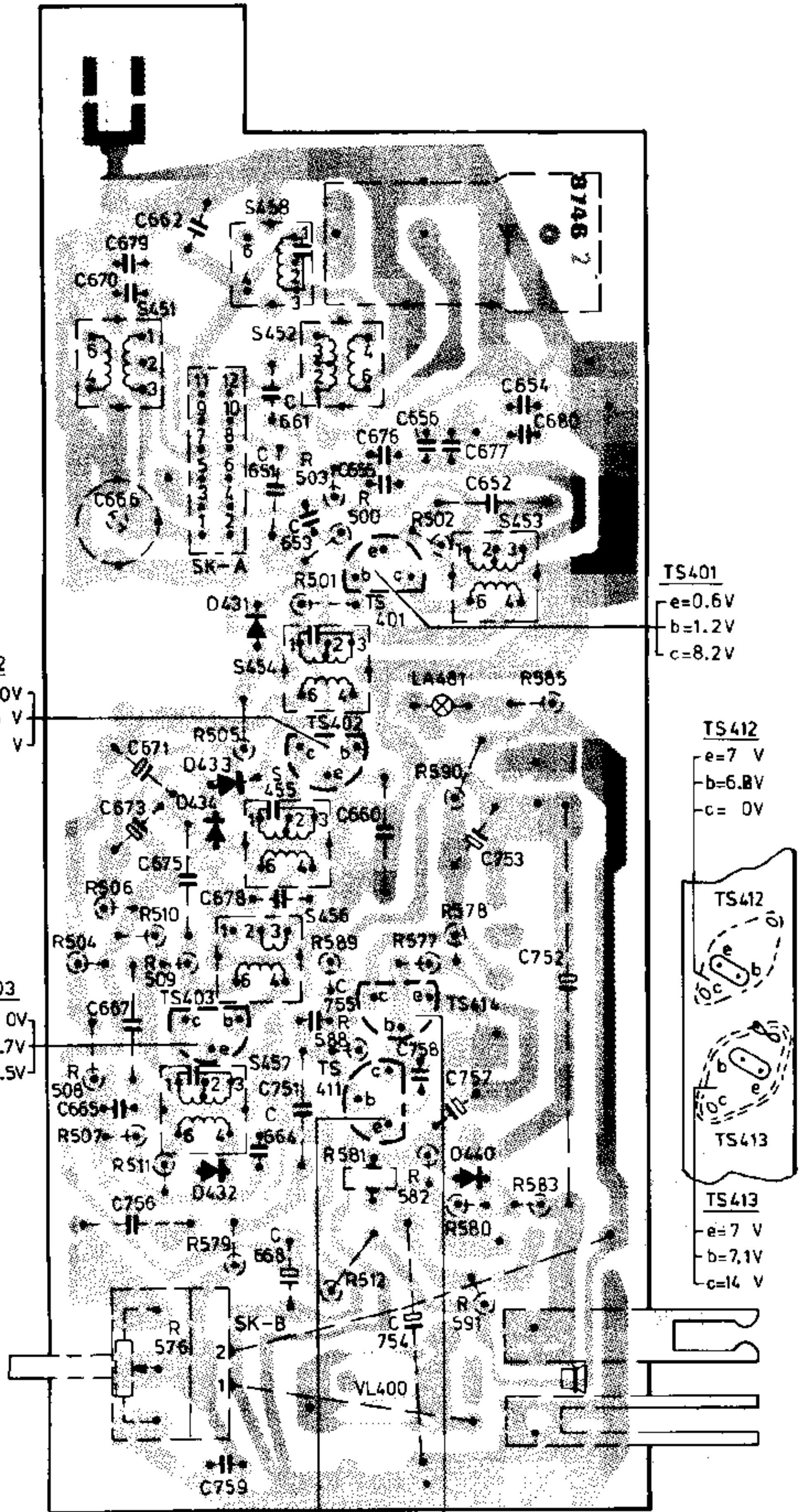
D432

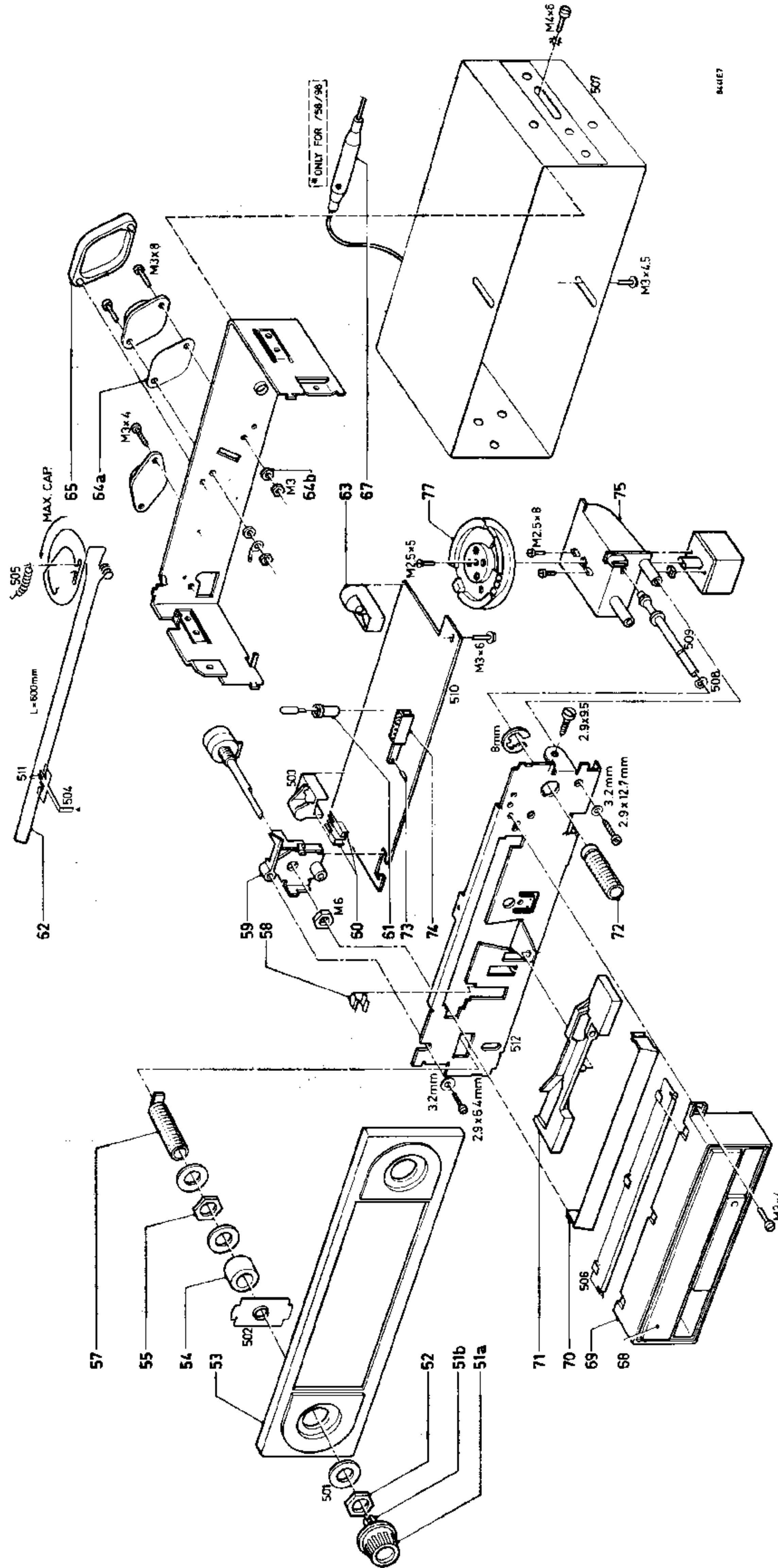


D433,440



D434





8441E7

4822 411 50291  
 4822 532 30265  
 4822 535 10046  
 4822 277 30593  
 4822 404 20206  
 4822 528 80559

71  
 72  
 73  
 74  
 75  
 77



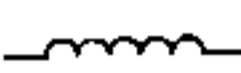
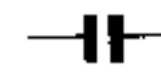
4822 255 20068  
 4822 321 30084  
 4822 267 30266  
 5322 255 40069  
 4822 462 70468  
 4822 321 20261  
 4822 333 20019  
 4822 423 40335  
 4822 331 20057  
 4822 331 10024

61  
 62  
 63  
 64a+b  
 65  
 67  
 68  
 69  
 70 (/50/58/98)  
 70 (/55)

4822 413 40617  
 4822 492 61477  
 4822 310 10129  
 4822 460 10383  
 4822 532 60588  
 4822 505 10463  
 4822 532 30264  
 4822 492 61889  
 4822 404 10212  
 4822 278 90317

51a  
 51b  
 52 (mounting material)  
 53  
 54  
 55  
 57  
 58  
 59  
 60



-D- 			-TS- 		
D431	AA119	5322 130 40229	TS401	BF494B	} 40838 4822 130 40949
D432	BA315	4822 130 30843	TS402	BF495C	
D433	BA314	4822 130 30879	TS403	BF495D	
D434	BZX79/C9V1	5322 130 30667	TS411/414	BC548C	5322 130 44196
D440	BA314	4822 130 30879	TS412/413	AD161/162 p	5322 130 40349
-S- 			-C- 		
S451		4822 156 40633	C654	22 pF $\pm$ 5 %,N5600	4822 122 40101
S452		4822 156 40631	C657,658	Var. cap.	4822 125 20194
S453		4822 156 40632	C666	Trimmer 10 pF	4822 125 50062
S454,455		4822 153 20224	C674	Trimmer 65 pF	4822 125 50017
S456		4822 153 20225	-Miscellaneous-		
S457		4822 153 20226			
S458		4822 153 50215			
S459 (only for /58/98)		4822 321 20261			
			R576	25 k $\Omega$ log.	4822 101 50186
			R581	NTC - 50 $\Omega$	4822 116 30008
			LA481	Lamp 12 V - 100 mA	4822 134 40311

NOTES: