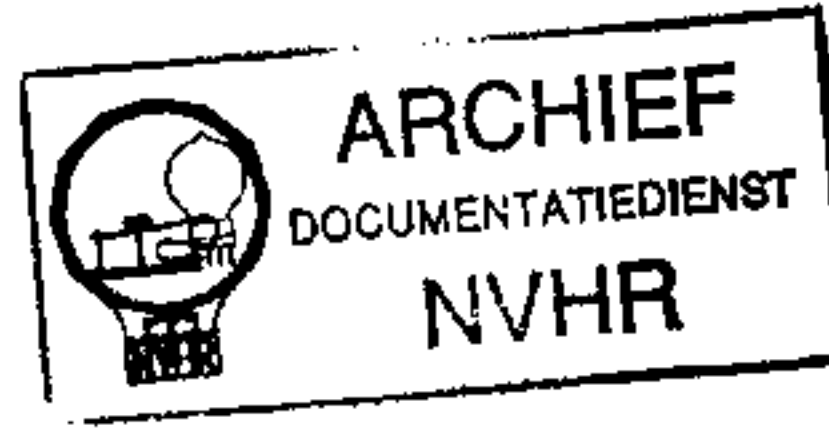


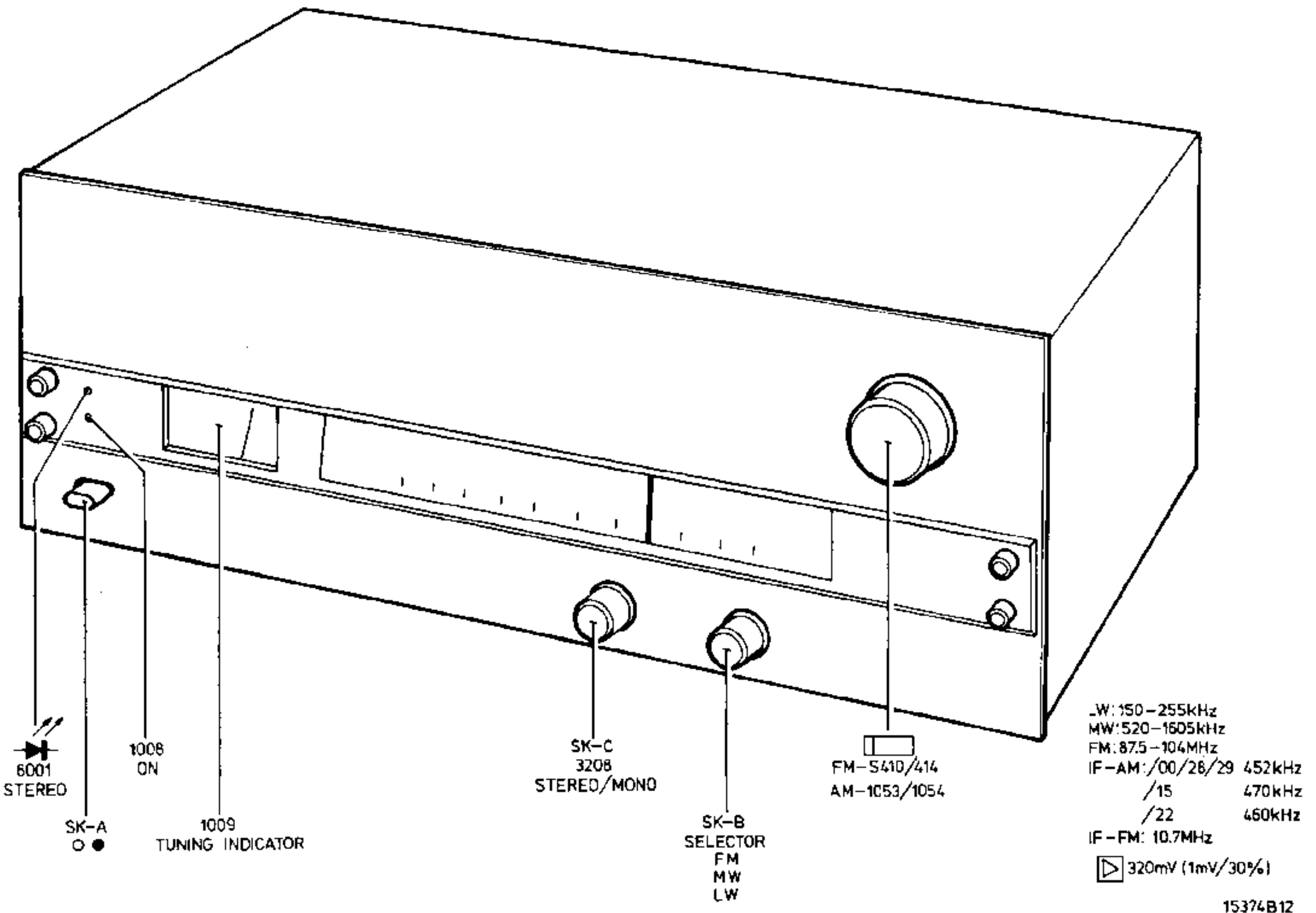
Service
Service
Service

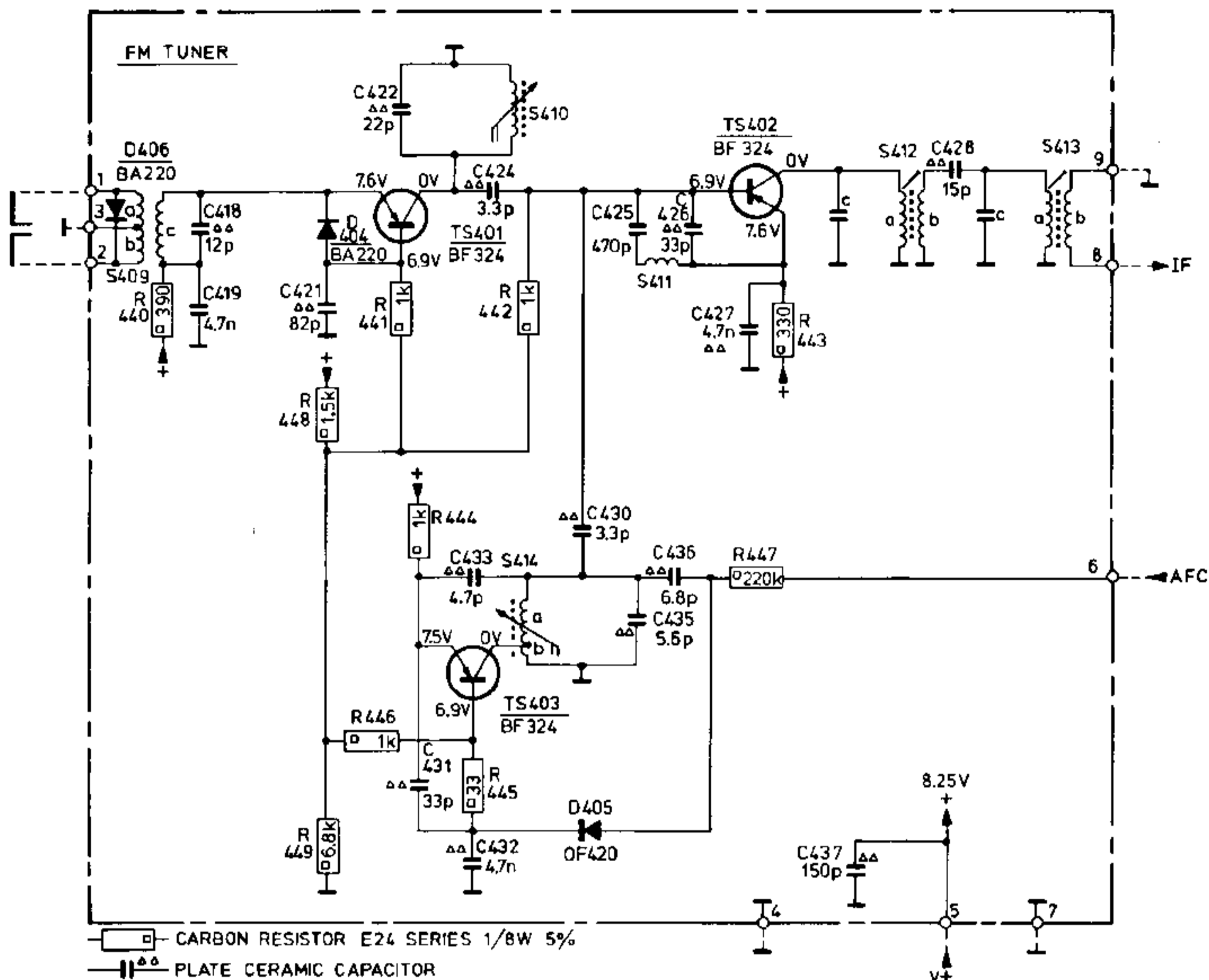
Met dank aan www.radiomuseum-hengelo.nl

Ned. Ver. v. Historie v/d Radio

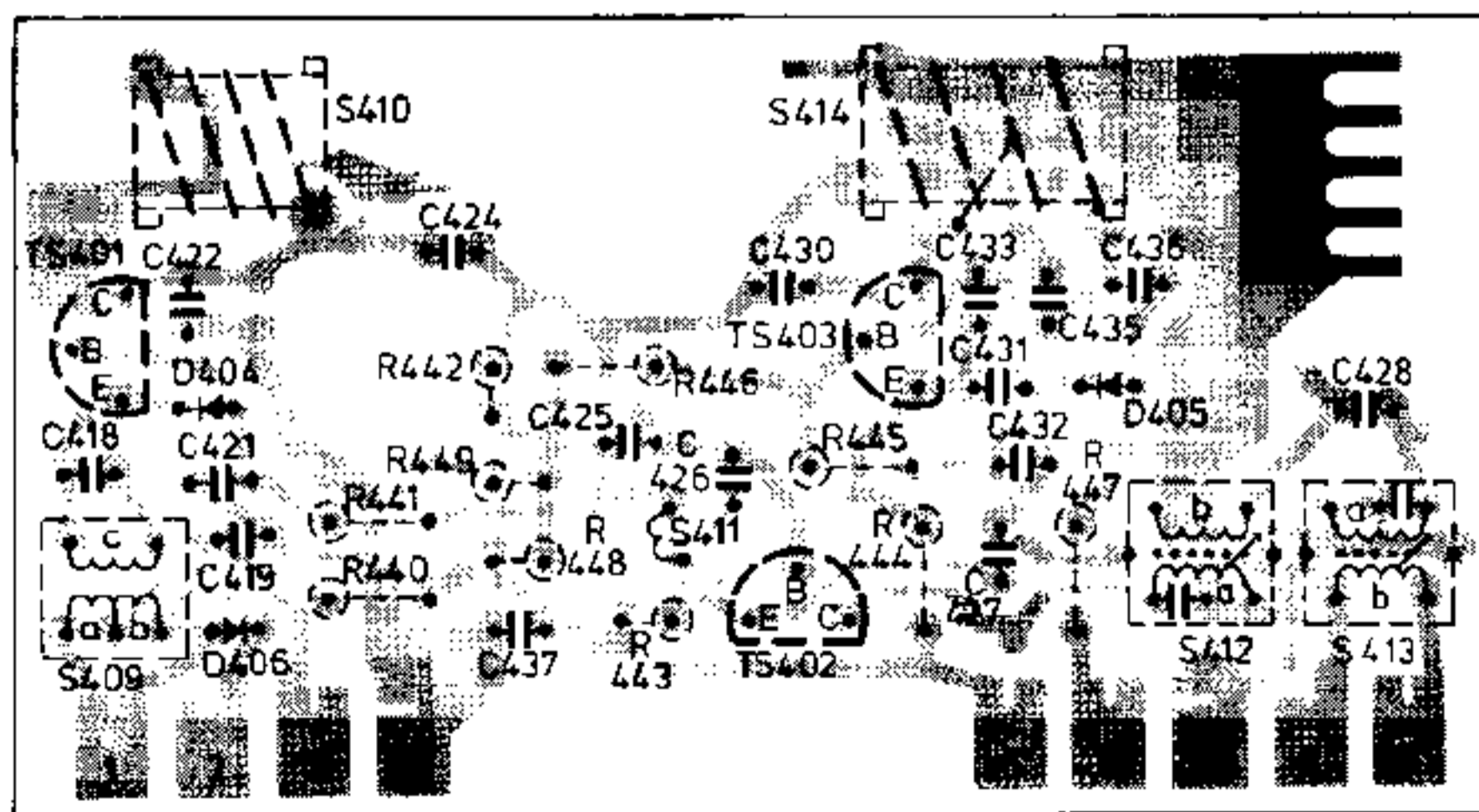


Service Manual



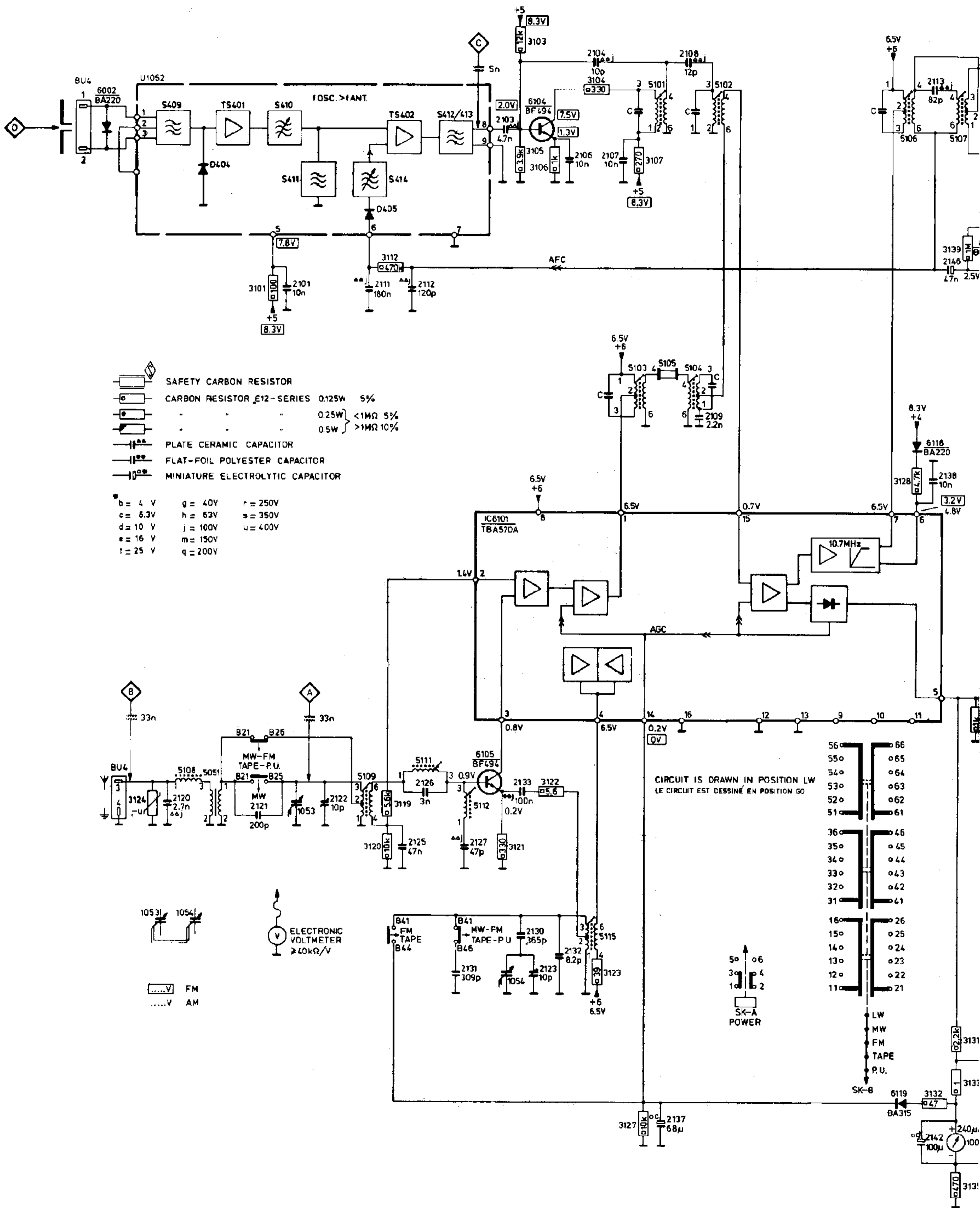


11925C10/A

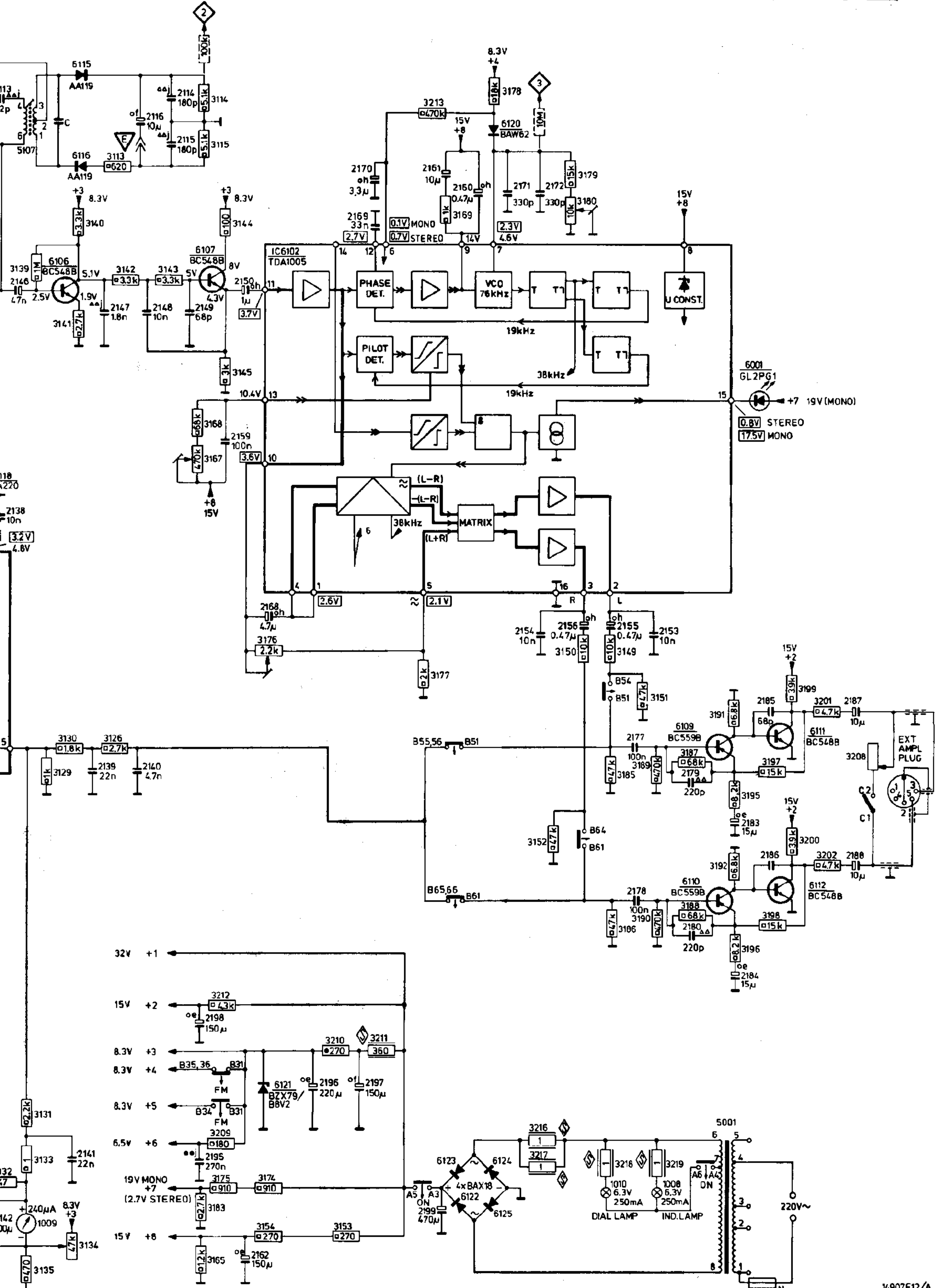


11924A10/A

MISC	6002	U1052	6105.IC6101										6104	SK-A				6119.6118.SK-B.1009.6	
S	5108	5051	2101	5109	5111	5112	2103	2106	2104	2107	2108	2109	5106	5107					
C	2120		2121	1053	2122	2125.2126	2131.2127.1054.2133.2130.2123.2132	2137						2113.2138.2146					
R	3101		3112				3103.3105.3106		3104	3107		3128							
R	3124		3119.3120				3121	3122	3123	3127		3129 +							



5107	6107 1351,1352 IC6102,6121	6122-6125 6120	6109-6112 6001
2138,2146	2147,2148,2114-2116,2149 2159,2150,2168,2162, 2170,2169	2161 2160 2171 2172,2154-2156 2153	5001
2141,2139 2140	2198,2195,2199, 2196,2197 2199	2395 2177-2180	2183-2186 2187 2188
3139 + 3142 3113 + 3115,3143+3145,3168,3167,3174+3176, 3210,3153,3211 3213 3177,3169	3178	3179, 3180, 3185-3190, 3191,3192	3195-3202 3208
3129 + 3135 3126	3183,3165,3212,3209,3366, 3154 3153	3216-3219 3149 + 3152	



MISC.	S	C	R
1056		1053 1054	
SK-B	5108	2142 2178	3132 3135 3208
SK-C			3124
6104 6119		2198 2120 ... 2123	3201 3103 3202 3134
	5109	2103 2106 2188	3200 3199 3106
6111		2107	3107 3104
6112	5111	2183	3192
	5101	2186 2126 2130 2127 2132 2104 2108 2177 ... 2180	3191 3105 3195 ... 3198 3101 3186 3190
6109 6110	5115	2101	3185 3120
	5102	2131	3124 3127 3133 3177
6105 6120	5105	2162	3180 3209 3149 3131
6118		2153	3144 3212
6101		2156 2169 ... 2172 2139	3128 3213 3150 3153
6102		2195 2141 2159 2140	3112 3167 3169 3154
6107	5106	2168	3126 3175 3165 3174
	5107	2111 ... 2113 2138 2160 2161 2146 ... 2150 2114	3183 3130 3145 3139 3143
6115		2116	3113
6116 6106		2197	3115
6121			3210
6123 6125		2196	3218 3219 3217 3211 3216
MISC.	S	C	R

RF-IF PANEL
PANNEAU HF-FI

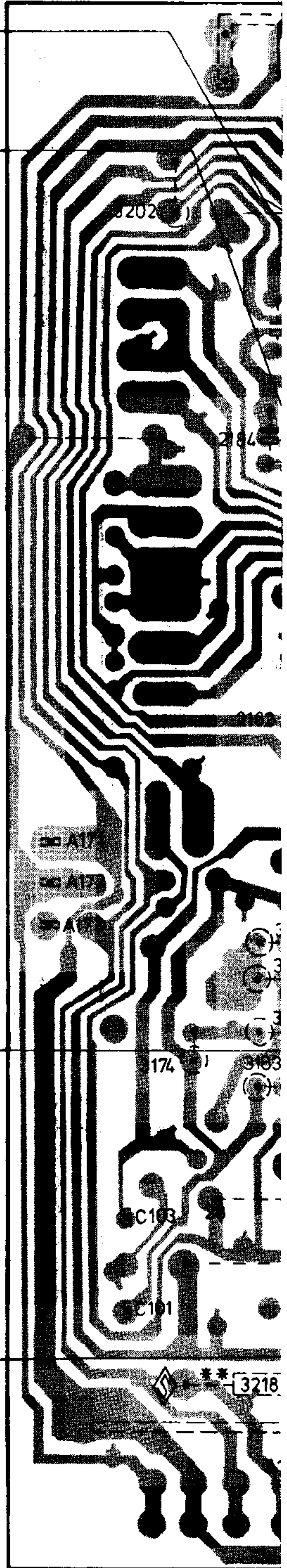
6111.6112
e = 0 V
b = 0.6V
c = 6.5V

6109.6110
e = 5 V
b = 4.4V
c = 0.6V

6102

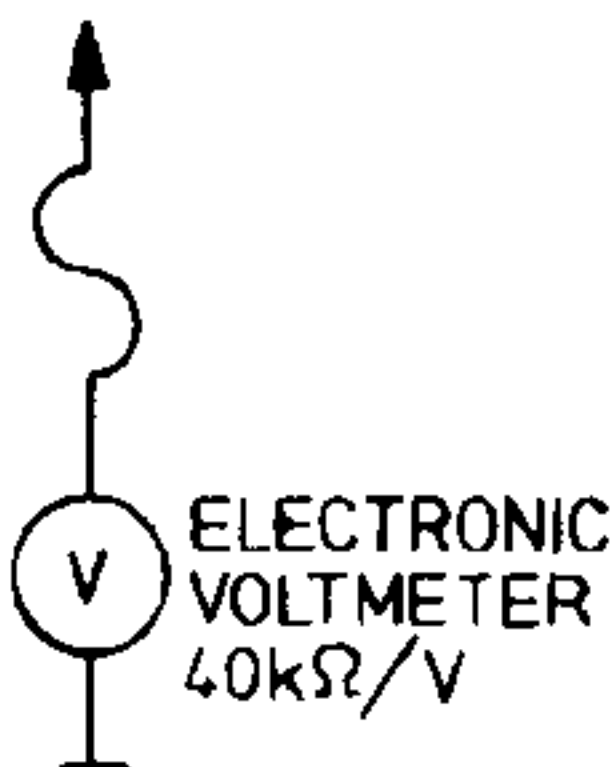
- 1 = 2.6V
- 2 = 4.2V
- 3 = 4.2V
- 4 = 2.6V
- 5 = 2.1V
- 6 = 1.4V STEREO-
- 7 = 0.1V MONO-
- 8 = 4.6V AM
- 9 = 2.3V FM
- 10 = 13.5V
- 11 = 13V
- 12 = 3.6V
- 13 = 3.7V
- 14 = 2.7V
- 15 = 10.4V
- 16 = 0.1V STEREO-
- 17 = 12.5V MONO-
- 18 = 0V

6107
e = 4.3V
b = 5.0V
c = 8V



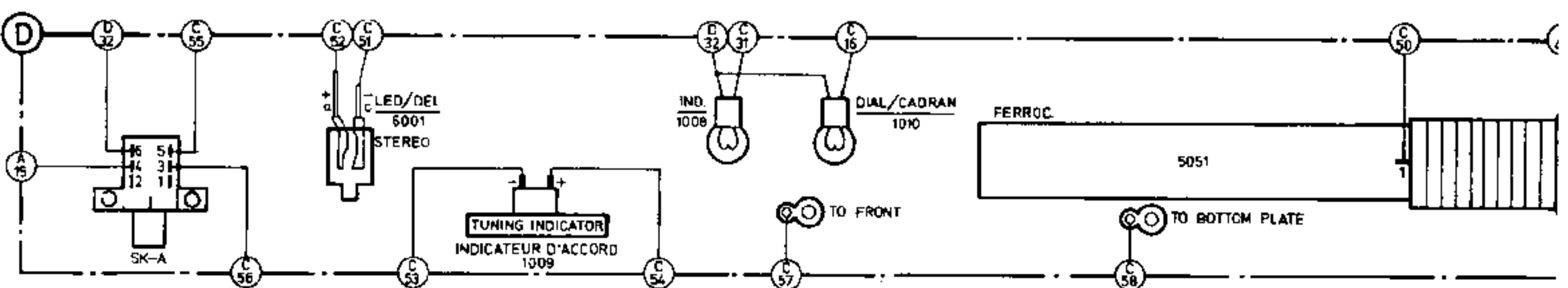
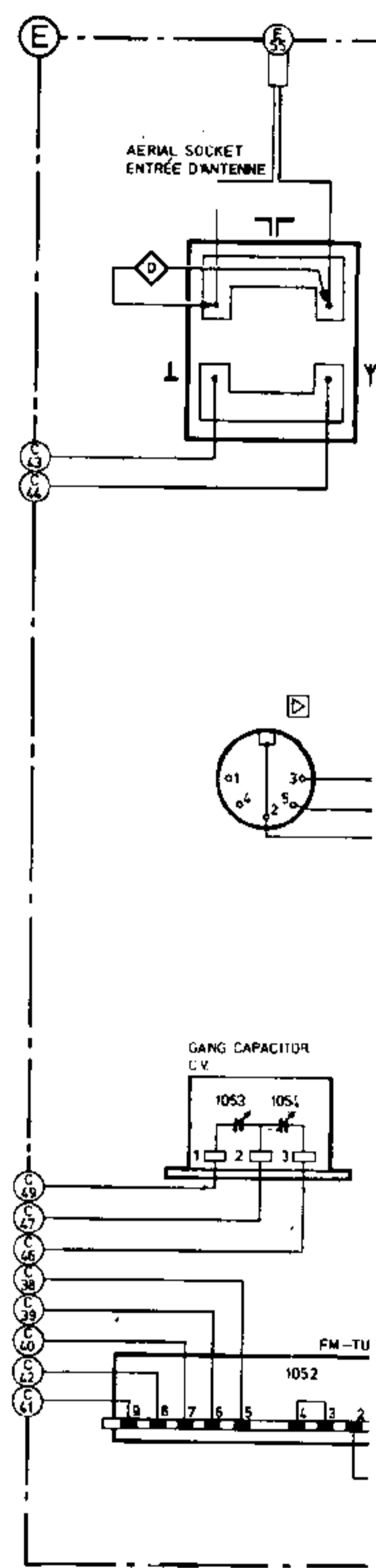
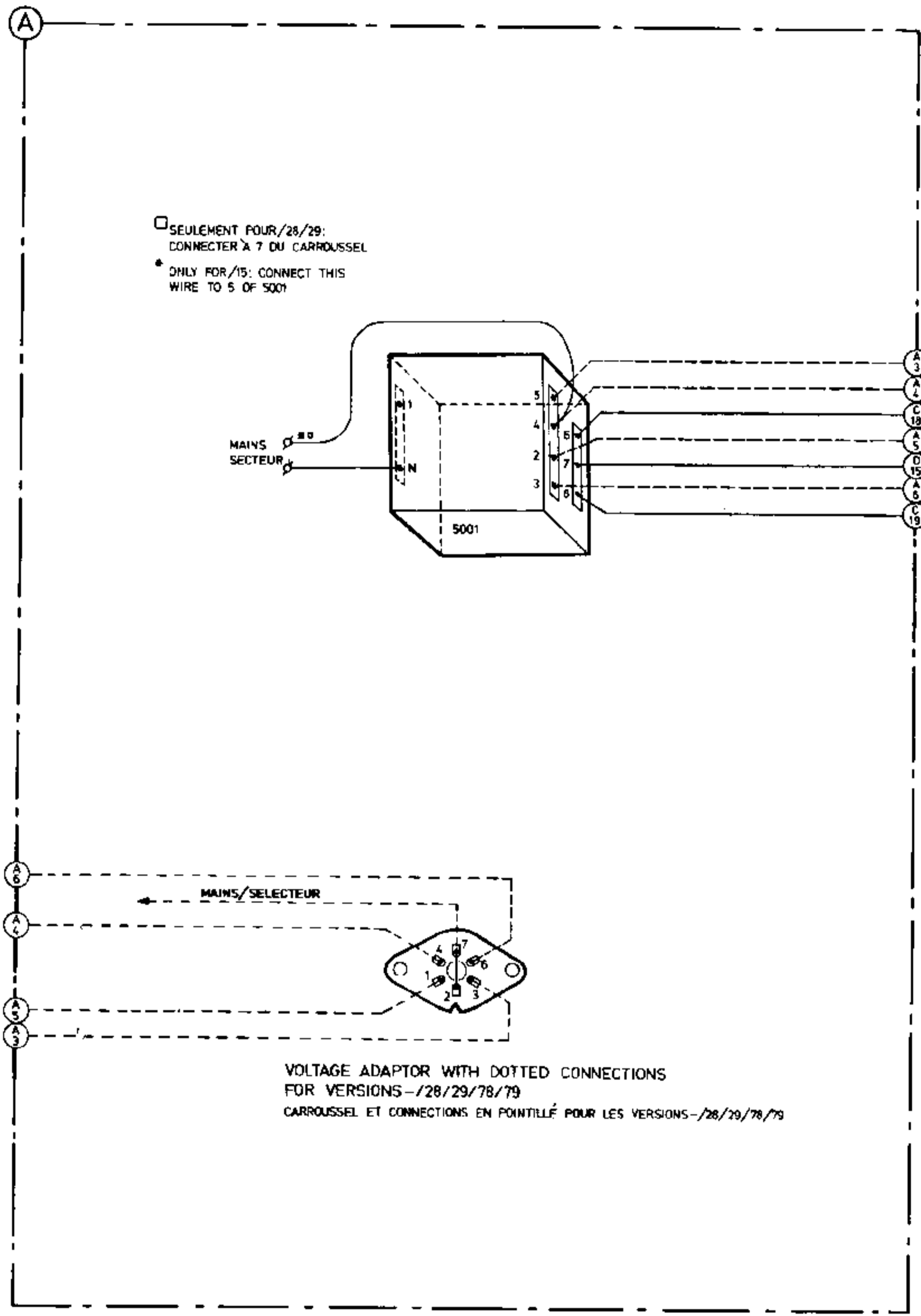
* TO BE MOUNTED 6m
** TO BE MOUNTED 10m

...V AM
...V FM

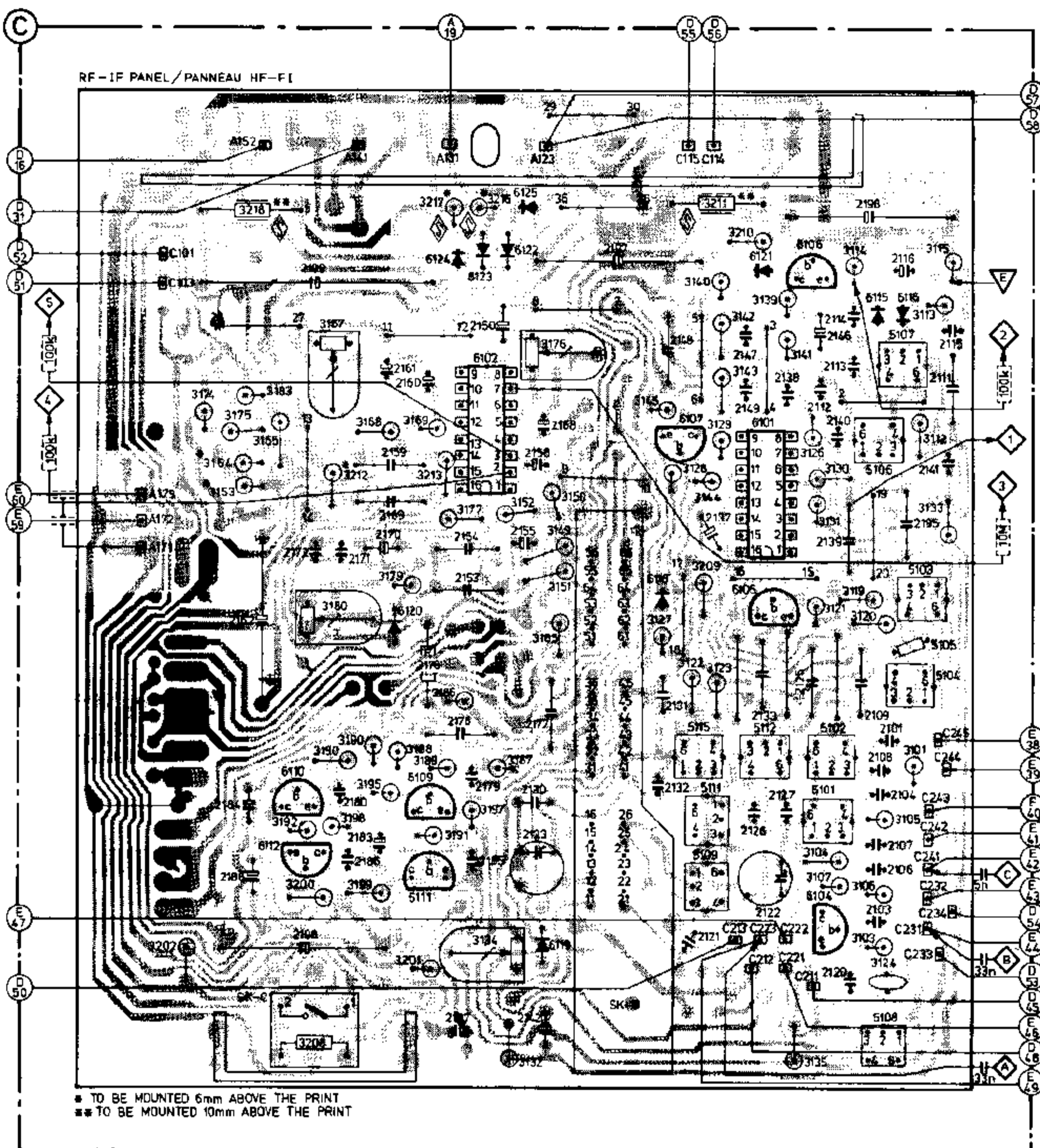


6115.6116
AA119

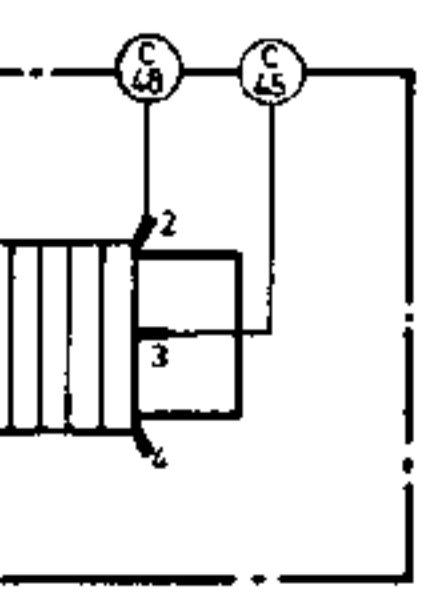
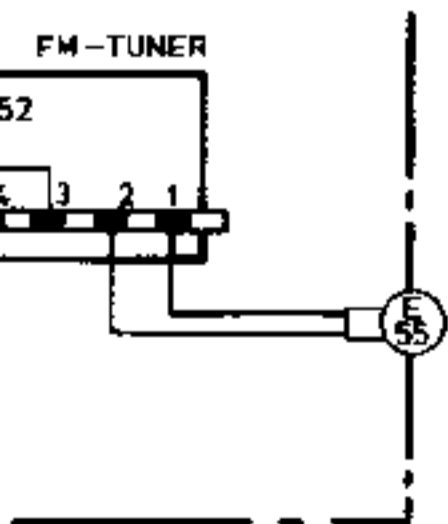
MISC	SK-A	5001	1009	1008	1010	
S			5001			5051
C						
C						
R						
R						



RF-IF PANEL / PANNEAU HF-FI



• TO BE MOUNTED 6mm ABOVE THE PRINT
 ** TO BE MOUNTED 10mm ABOVE THE PRINT



AM SK...							
MW (520-1605 kHz)	via 33 nF /00/00X 452 kHz /28/29/50 +1 kHz /22/72/78 460 kHz +1 kHz		Min.cap. C1053/1054		5111 5112 5103 5104		max.~ (= f _o 5105)
	f _o 5105					S5104 S5103	max.~
						S5111 S5112	min.~
LW (150-255 kHz)	147 kHz +1 kHz via 33 nF		C1053/1054 Max.cap.			S5115	max.~
MW (520-1605 kHz)	1635 kHz +1 kHz via 33 nF		C1053/1054 Min.cap.			C2123	
MW	550 kHz +1 kHz via 33 nF		 C1053/1054			S5051	max.~
	1500 kHz +1 kHz via 33 nF					C2122	
LW	155 kHz +1 kHz via 33 nF					S5109	
			C1053/1054 Max.cap.			R3134	Ind. 1009 at 0

FM SK...							
FM (87.5-104 MHz)	10.7 MHz Δf = 250 kHz (50 Hz) via 5 nF					S5106 S5102 S5101 S5107	via 100 kΩ
	98 MHz Δf = 250 kHz (50 Hz)		 S410/414			S413 S412 S414 S410	via 100 kΩ max.
			98 MHz S410/414				

↑ Repeat - Herhalen - Répéter - Wiederholen - Ricominciare - Repetere - Gjentage - Gjentaelse - Toista

FM						
Stereodecoder						
FM (87.5-104 MHz)					R3180	76 kHz ± 300 Hz via 10 MΩ
	98 MHz Multiplex (1 kHz) 4...12 μV		S410/414 		R3167	
	98 MHz Pilot+R+1 kHz (pilot+L+1 kHz)				R3176	Min L via 100 kΩ (Min R)

- 301 4822 420 60047
- 302 4822 276 10692
- 303 4822 347 10181
- 304 4822 256 90201
- 305 4822 333 40236

- 307 4822 380 20082
- 308 4822 410 30169
- 309 4822 426 50304
- 309/28 4822 426 50312
- 310 4822 459 40352

- 311 4822 413 40806
- 313 4822 532 10284
- 314 4822 413 30792
- 315 4822 413 30791
- 316 4822 492 60268

- 317
- 319 4822 210 10188
- 320 4822 532 51052
- 321 4822 264 40023
- 322 4822 158 60405

- 323 4822 255 10007
- 325 4822 267 40129
- 326 4822 321 30215
- 327 4822 450 80606
- 328 4822 462 40326

- 329 4822 278 90326
- 331 4822 417 50101

