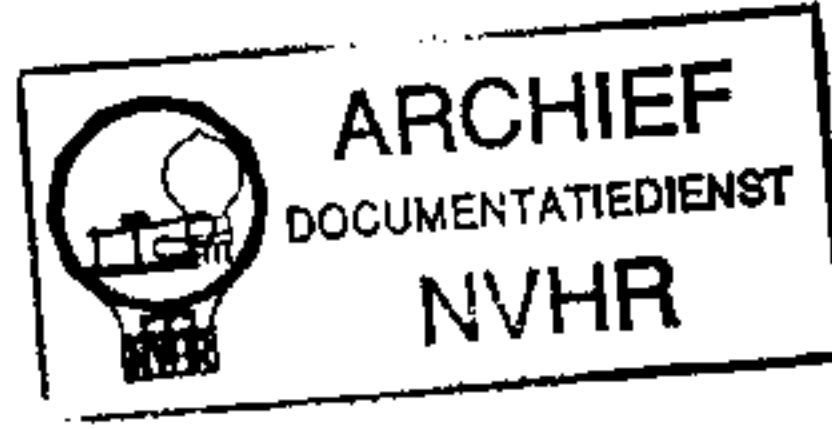
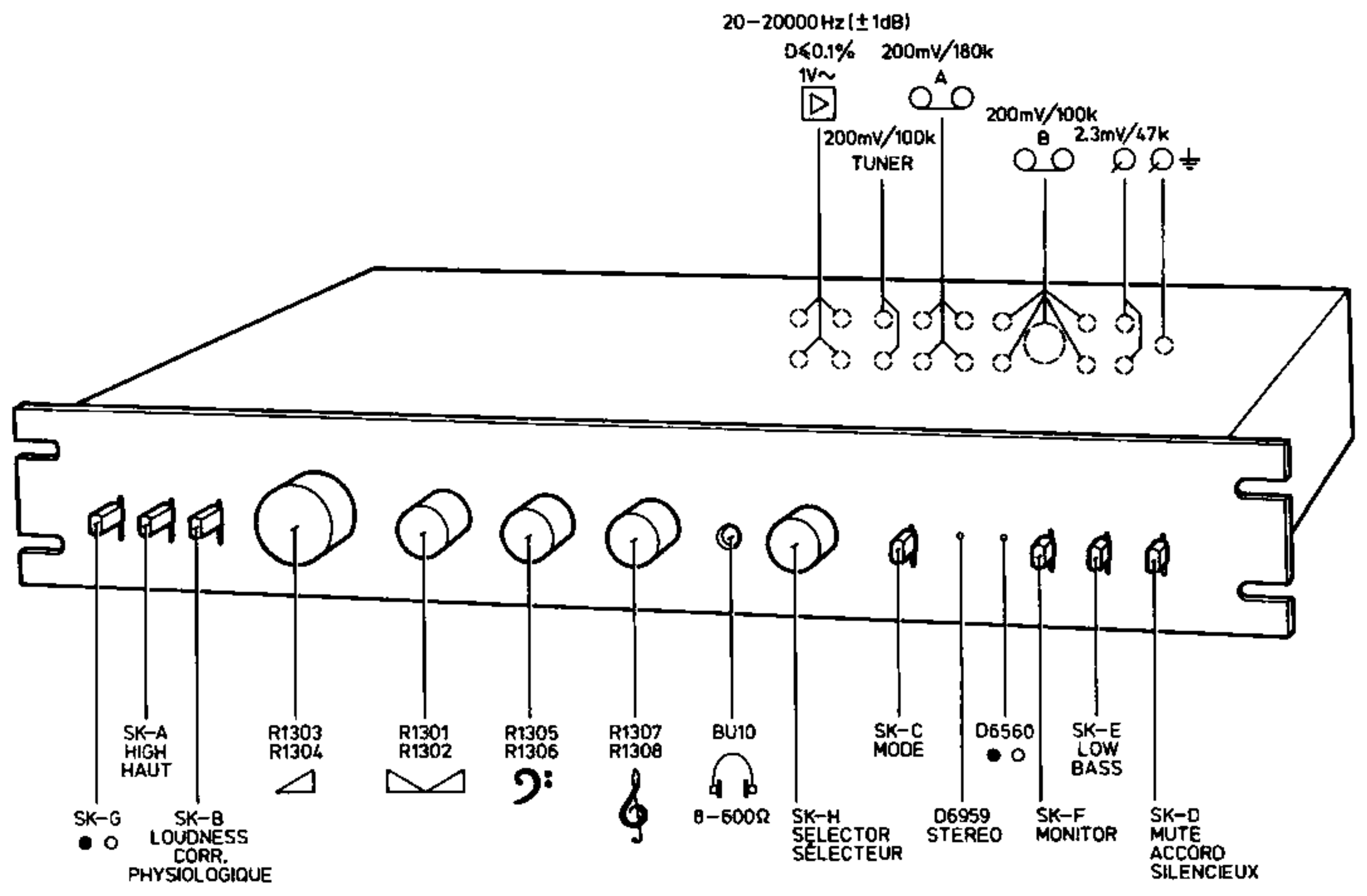


Service
Service
Service

Ned. Ver. v. Historie v/d Radio



Service Manual



1551B12



(GB) SPECIFICATIONS

| | |
|--|-----------------|
| Harmonic distortion (1 V) | : 0.1 % |
| Intermodulation distortion 250/8000 Hz 4:1) (1 V) | : 1 % |
| Frequency response | : 20-20.000 Hz |
| Stereo separation | |
| 250 Hz | : 30 dB |
| 1 kHz | : 40 dB |
| 10 kHz | : 30 dB |
| Signal-to-noise ratio | : 70 dB |
| Dimensions | : 482x78x280 mm |

(F) CARACTERISTIQUES TECHNIQUES

| | |
|--|-----------------|
| Distorsion harmonique (1 V) | : 0.1 % |
| Distorsion intermodulatoire (250/8000 Hz 4:1) (1 V) | : 1 % |
| Courbe amplitude/fréquence | : 20-20.000 Hz |
| Separation en stereo | |
| 250 Hz | : 30 dB |
| 1 kHz | : 40 dB |
| 10 kHz | : 30 dB |
| Rapport signal/bruit | : 70 dB |
| Dimensions | : 482x78x280 mm |

(I) DATI TECNICI

| | |
|---|-----------------|
| Distorsione armonica (1 V) | : 0.1 % |
| Intermodulazione (250/8000 Hz 4:1) (1 V) | : 1 % |
| Risposta in frequenza | : 20-20.000 Hz |
| Separazione stereo | |
| 250 Hz | : 30 dB |
| 1 kHz | : 40 dB |
| 10 kHz | : 30 dB |
| Rapporto segnale/disturbo | : 70 dB |
| Dimensioni | : 482x78x280 mm |

(DK) TEKNISKE DATA

| | |
|--|-----------------|
| Harmonisk forvrængning (1 V) | : 0.1 % |
| Intermodulation (250/8000 Hz 4:1) (1 V) | : 1 % |
| Frekvens område | : 20-20.000 Hz |
| Stereo separation | |
| 250 Hz | : 30 dB |
| 1 kHz | : 40 dB |
| 10 kHz | : 30 dB |
| Signal/støjforhold | : 70 dB |
| Dimensioner | : 482x78x280 mm |

(SF) TEKNISSET TIEDOT

| | |
|--|----------------|
| Harmoninen särö (1 V) | : 0.1 % |
| Keskeismodulaatio (250/8000 Hz 4:1) (1 V) | : 1 % |
| Toistoalue | : 20-20.000 Hz |

(NL) SPECIFICATIES

| | |
|---|-----------------|
| Harmonische vervorming (1 V) | : 0.1 % |
| Intermodulatie (250/8000 Hz 4:1) (1 V) | : 1 % |
| Frequentiebereik | : 20-20.000 Hz |
| Kanaalscheiding | |
| 250 Hz | : 30 dB |
| 1 kHz | : 40 dB |
| 10 kHz | : 30 dB |
| Signaal/ruisverhouding | : 70 dB |
| Afmetingen | : 482x78x280 mm |

(D) TECHNISCHE DATEN

| | |
|---|-----------------|
| Klirrgrad (1 V) | : 0.1 % |
| Intermodulationsgrad (250/8000 Hz 4:1) (1 V) | : 1 % |
| Uebertragungsbereich | : 20-20.000 Hz |
| Ueberspechdämpfung | |
| 250 Hz | : 30 dB |
| 1 kHz | : 40 dB |
| 10 kHz | : 30 dB |
| S/R-Verhältnis | : 70 dB |
| Abmessungen | : 482x78x280 mm |

(N) TEKNISKE DATA

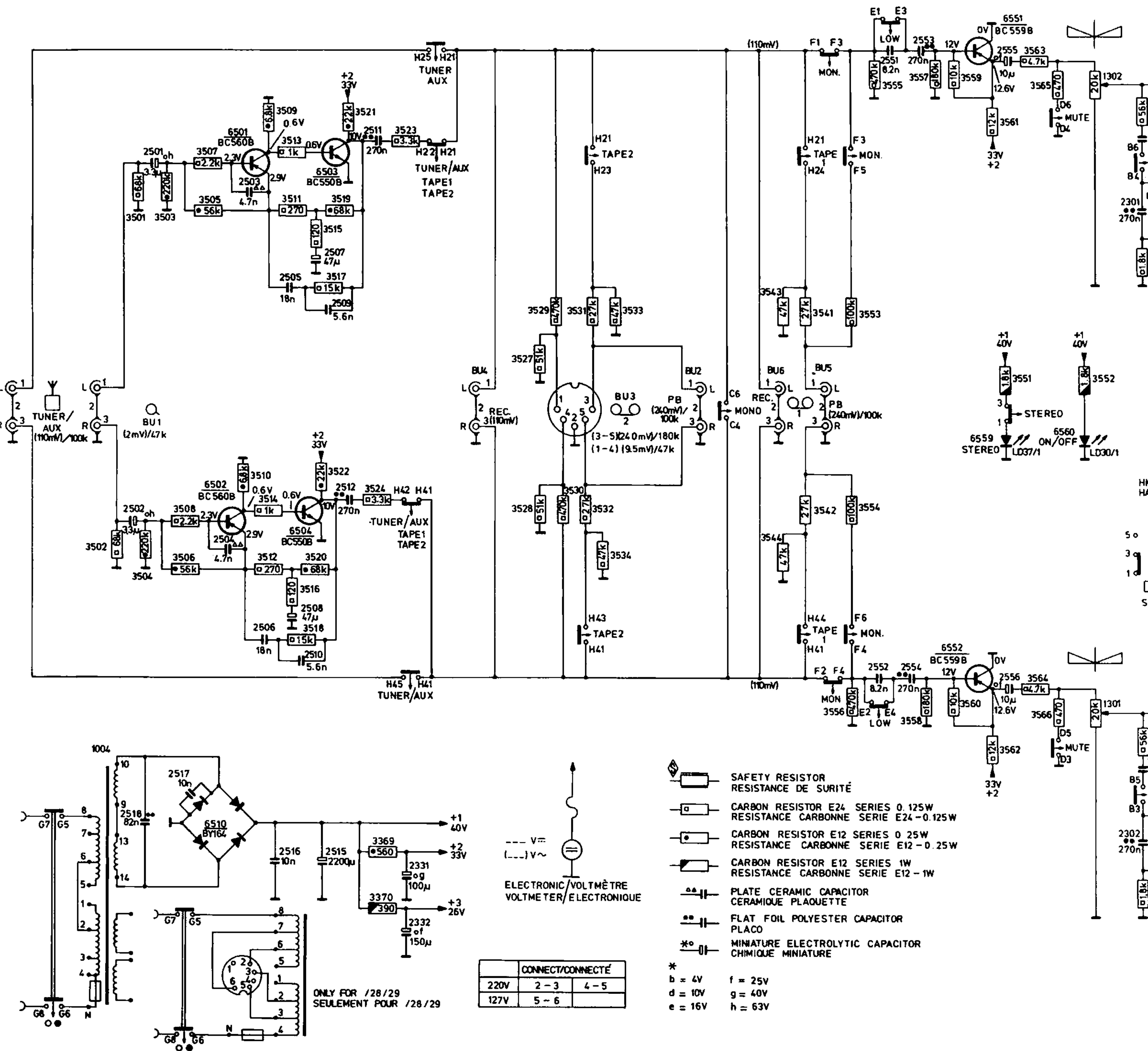
| | |
|--|-----------------|
| Harmonisk forvrengning (1 V) | : 0.1 % |
| Intermodulasjon (250/8000 Hz 4:1) (1 V) | : 1 % |
| Frekvensområde | : 20-20.000 Hz |
| Stereoseparasjon | |
| 250 Hz | : 30 dB |
| 1 kHz | : 40 dB |
| 10 kHz | : 30 dB |
| Signal/støy-forhold | : 70 dB |
| Dimensjoner | : 482x78x280 mm |

(S) TEKNISKA DATA

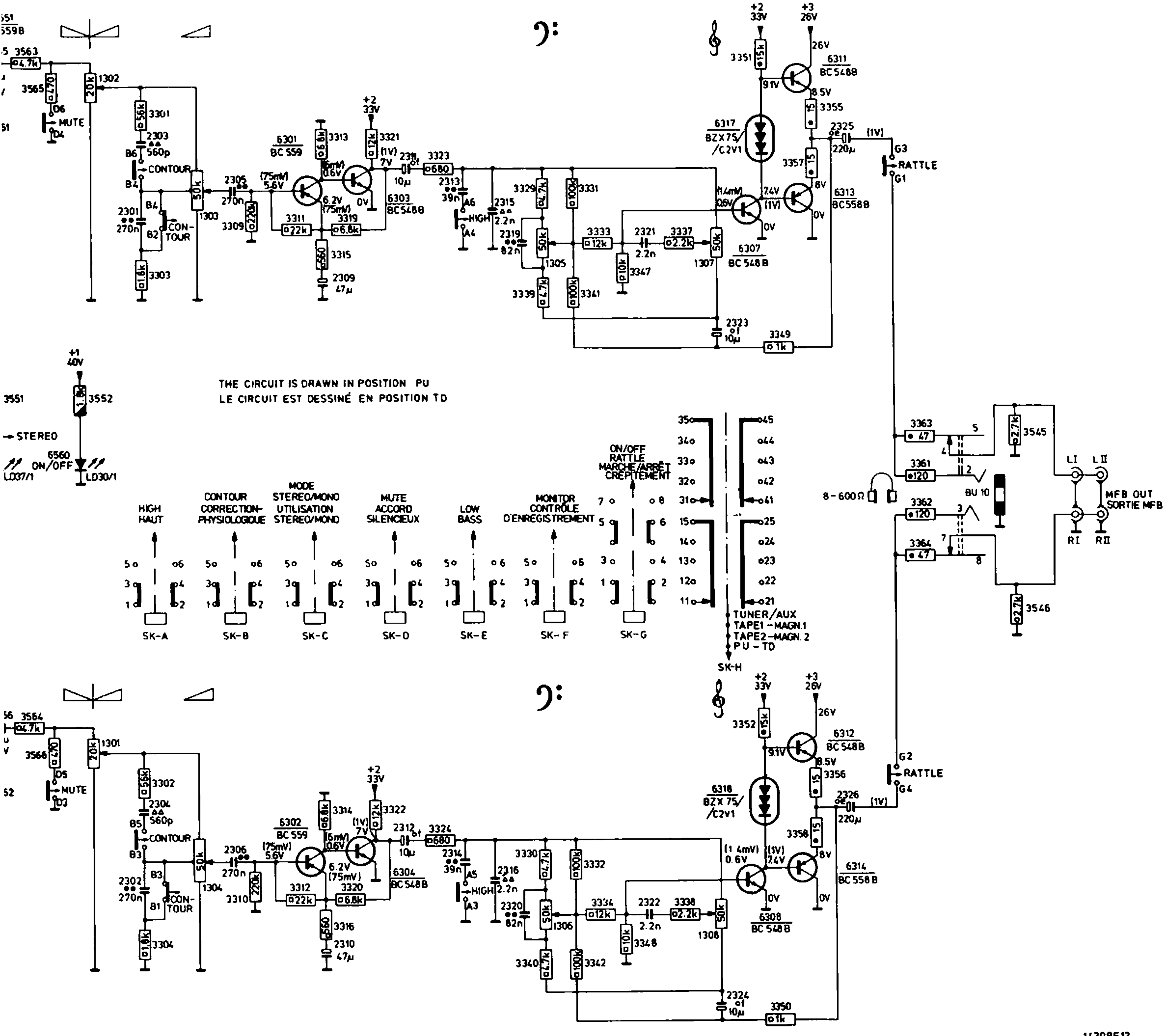
| | |
|--|-----------------|
| Harmonisk distorsion (1 V) | : 0.1 % |
| Intermodulation (250/8000 Hz 4:1) (1 V) | : 1 % |
| Frekvensomfång | : 20-20.000 Hz |
| Kanalseparation | |
| 250 Hz | : 30 dB |
| 1 kHz | : 40 dB |
| 10 kHz | : 30 dB |
| Signal/brusförhållande | : 70 dB |
| Dimensioner | : 482x78x280 mm |

| | |
|---------------------|-----------------|
| Kanavaerotus | |
| 250 Hz | : 30 dB |
| 1 kHz | : 40 dB |
| 10 kHz | : 30 dB |
| Signaalikohinasuhde | : 70 dB |
| Mitat | : 482x78x280 mm |

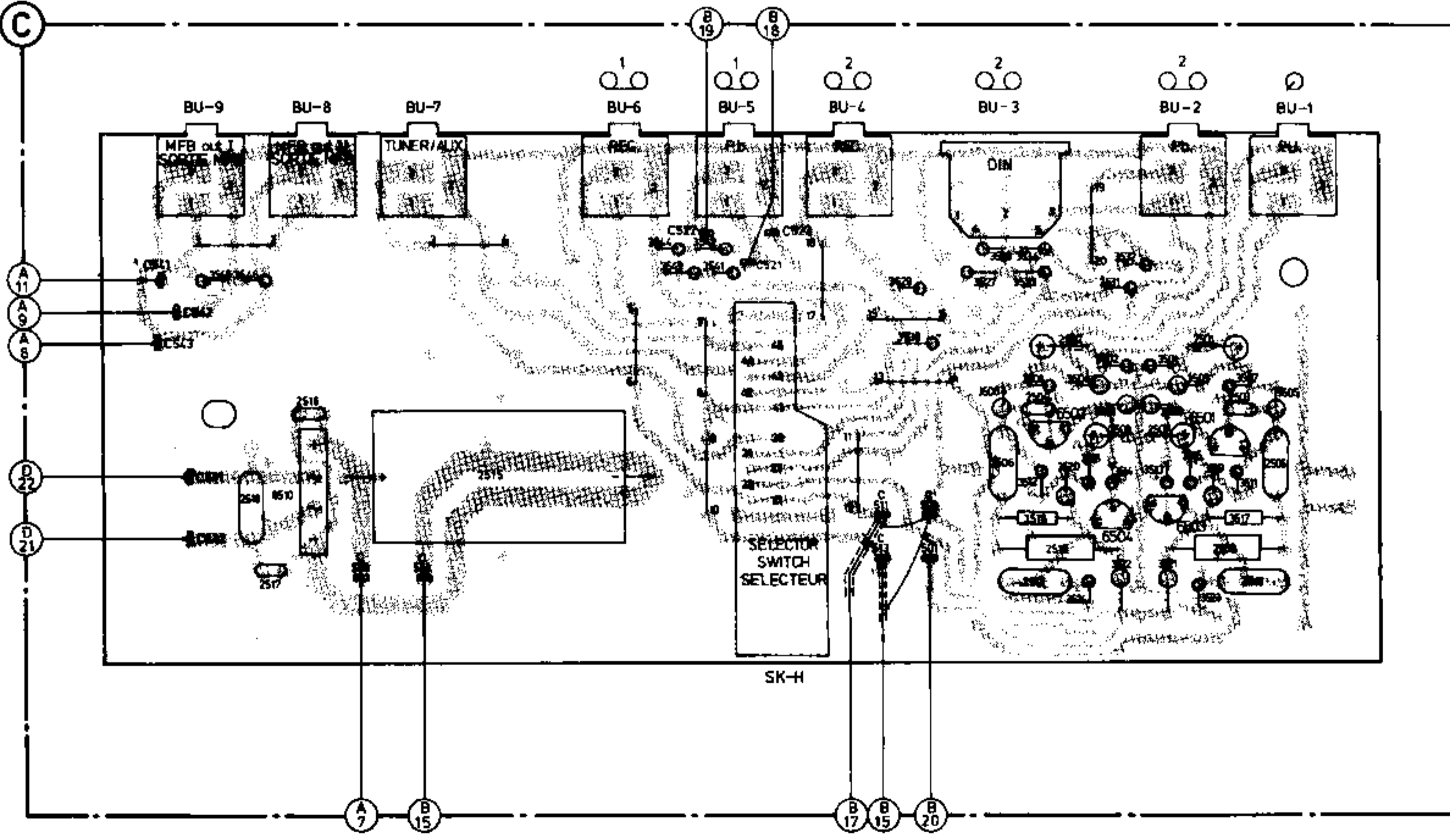
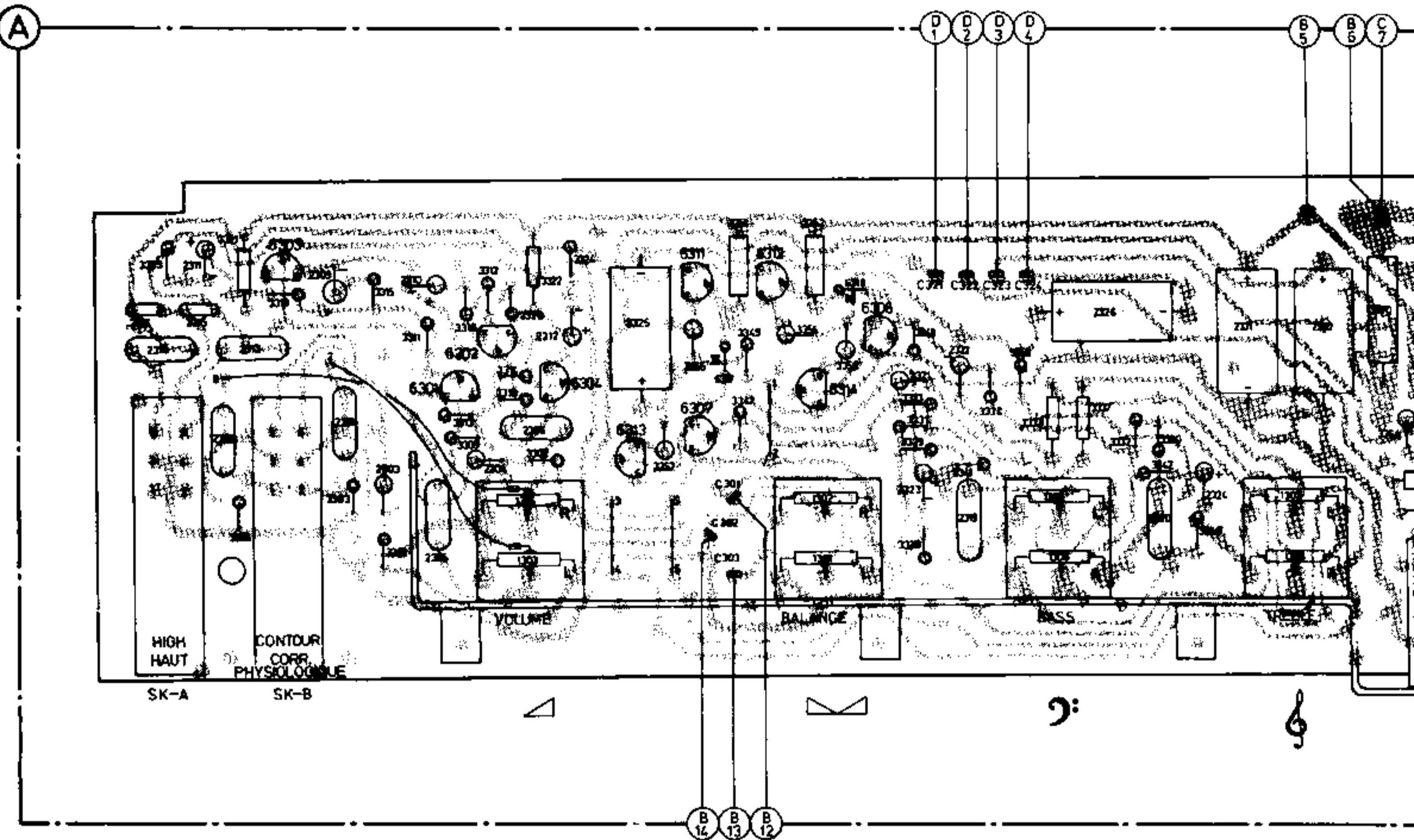
| | | | | | | | | | | | | | |
|---|----------------|-------------------------------|----------------------------|---------------------|------|-----|-----------|----------------|---------------------|-------|------|------|------|
| M | BU1 | TS 6501 | TS 6503 | BU4 | BU3 | BU2 | BU6 | BU5 | TS 6552 | D6959 | 2301 | 2302 | 2303 |
| M | 1004 | D6510.TS 6502 | TS 6504 | | | | | | TS 6552 | D6959 | 2301 | 2302 | 2303 |
| C | 2502 2501 | 2504 2503 | 2506 2505 2507...2510 2511 | | | | | | 2551 2553 | 2555 | 2301 | 2302 | 2303 |
| C | 2518 2517 | 2516 2515.2512 | 2331.2332 | | | | | | 2552 2554 | 2556 | 2302 | 2303 | 2304 |
| R | 3501 3503 3507 | 3509 3513 3511 3519 3521 | 3523 | 3527 3529 3531 | 3533 | | 3543.3541 | 3553 3555 3557 | 3559 3561 3563 3565 | 1302 | 3501 | 3502 | 3503 |
| R | 3508 3505 | 3514 3516 3515 3517 | | | | | | | 3551 | 3552 | 3504 | 3505 | 3506 |
| R | 3502 3504 3506 | 3510 3512 3518 3520 3522 3524 | | 3528 3530 3532 3534 | | | 3544.3542 | 3554 3556 3558 | 3560 3562 3564 3566 | 1301 | 3507 | 3508 | 3509 |
| R | | 3369.3370 | | | | | | | | | 3510 | 3511 | 3512 |



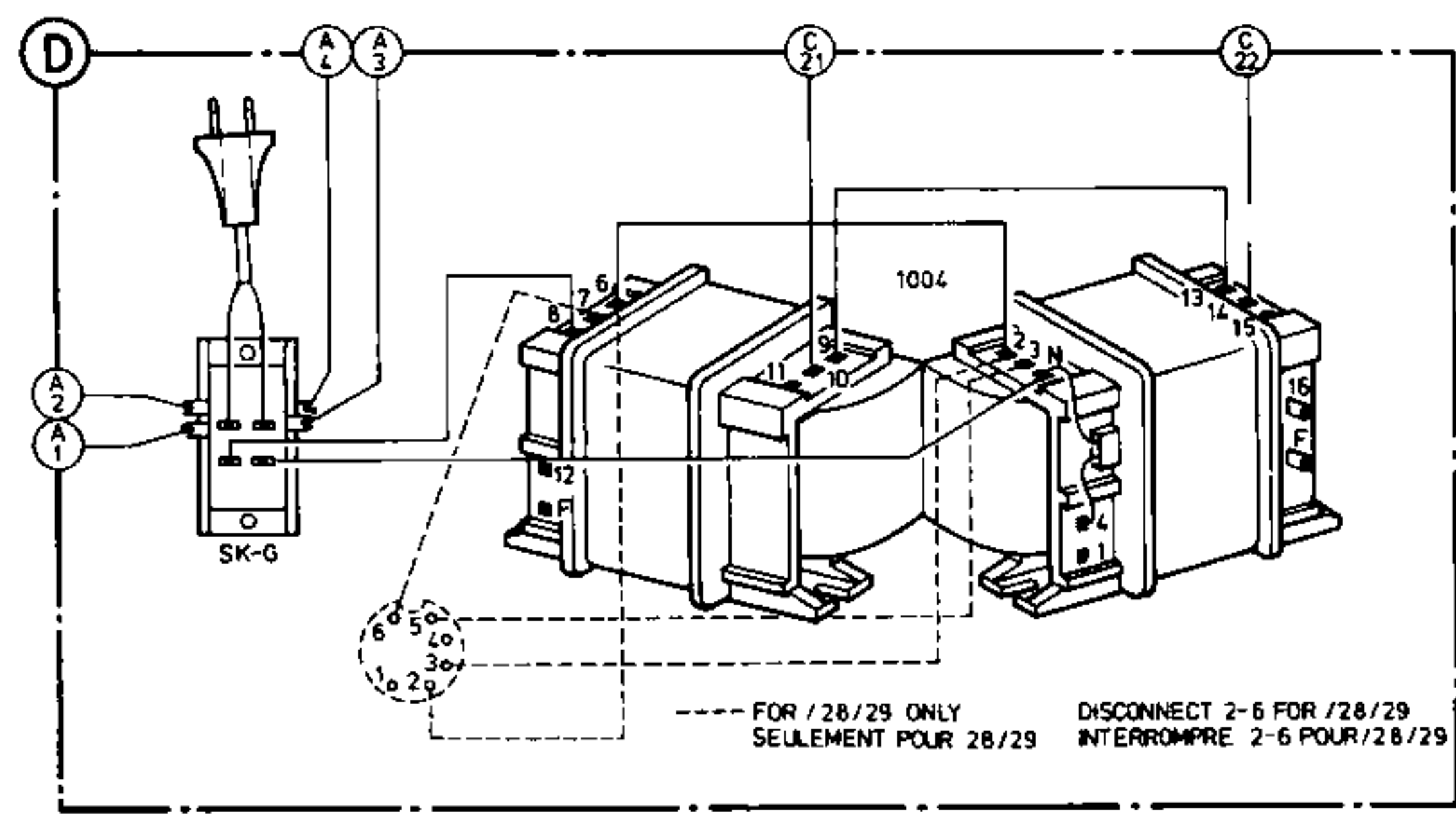
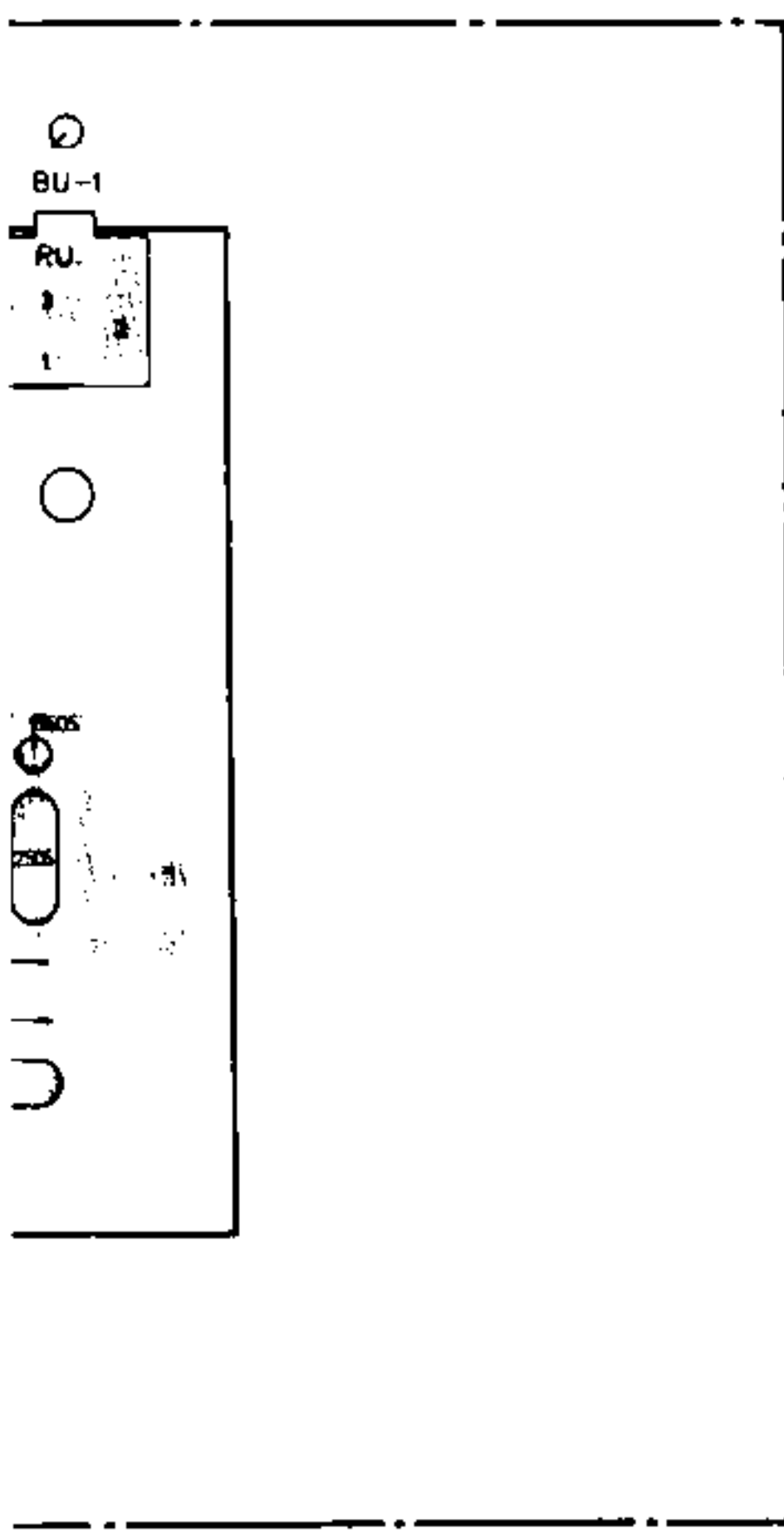
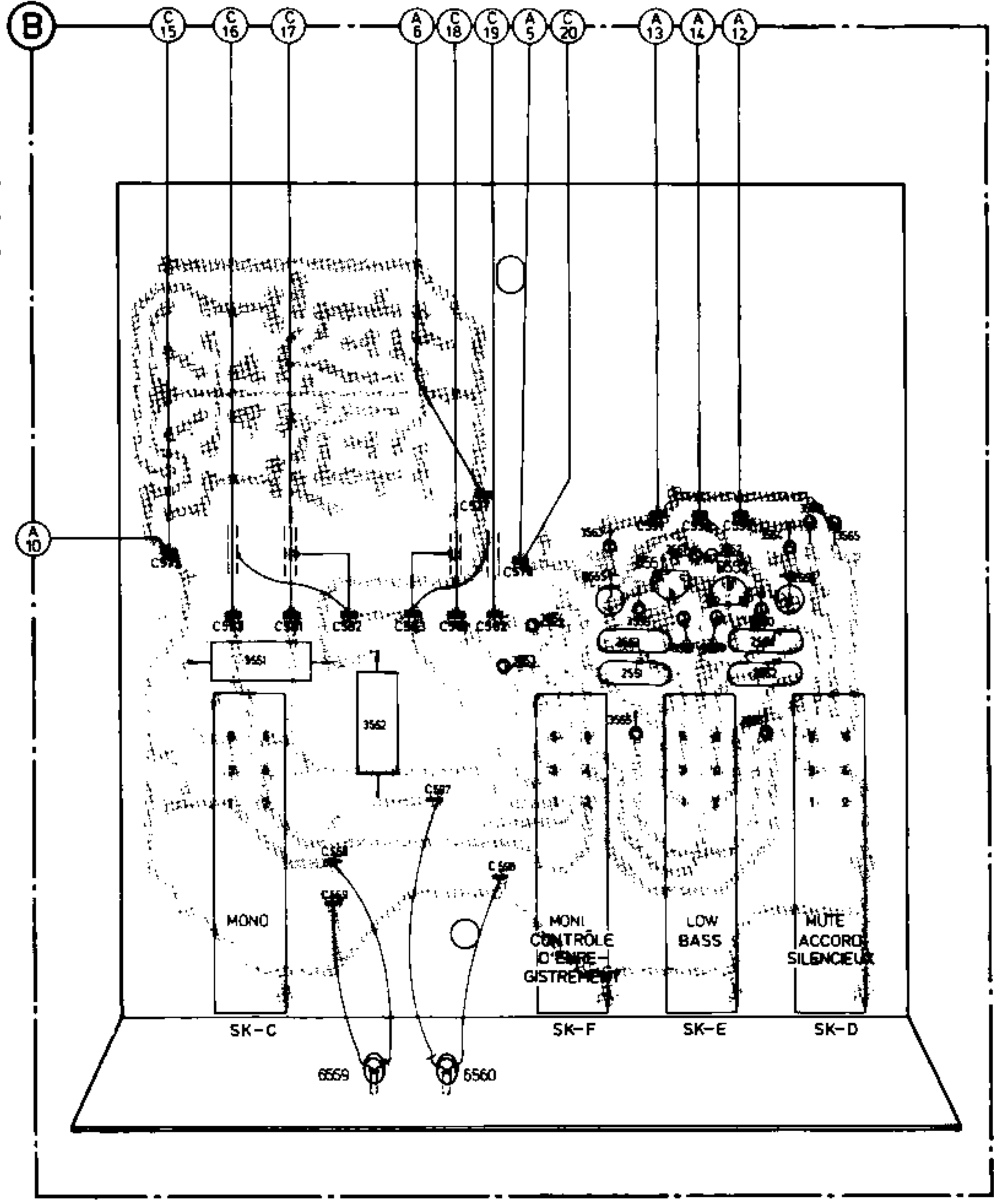
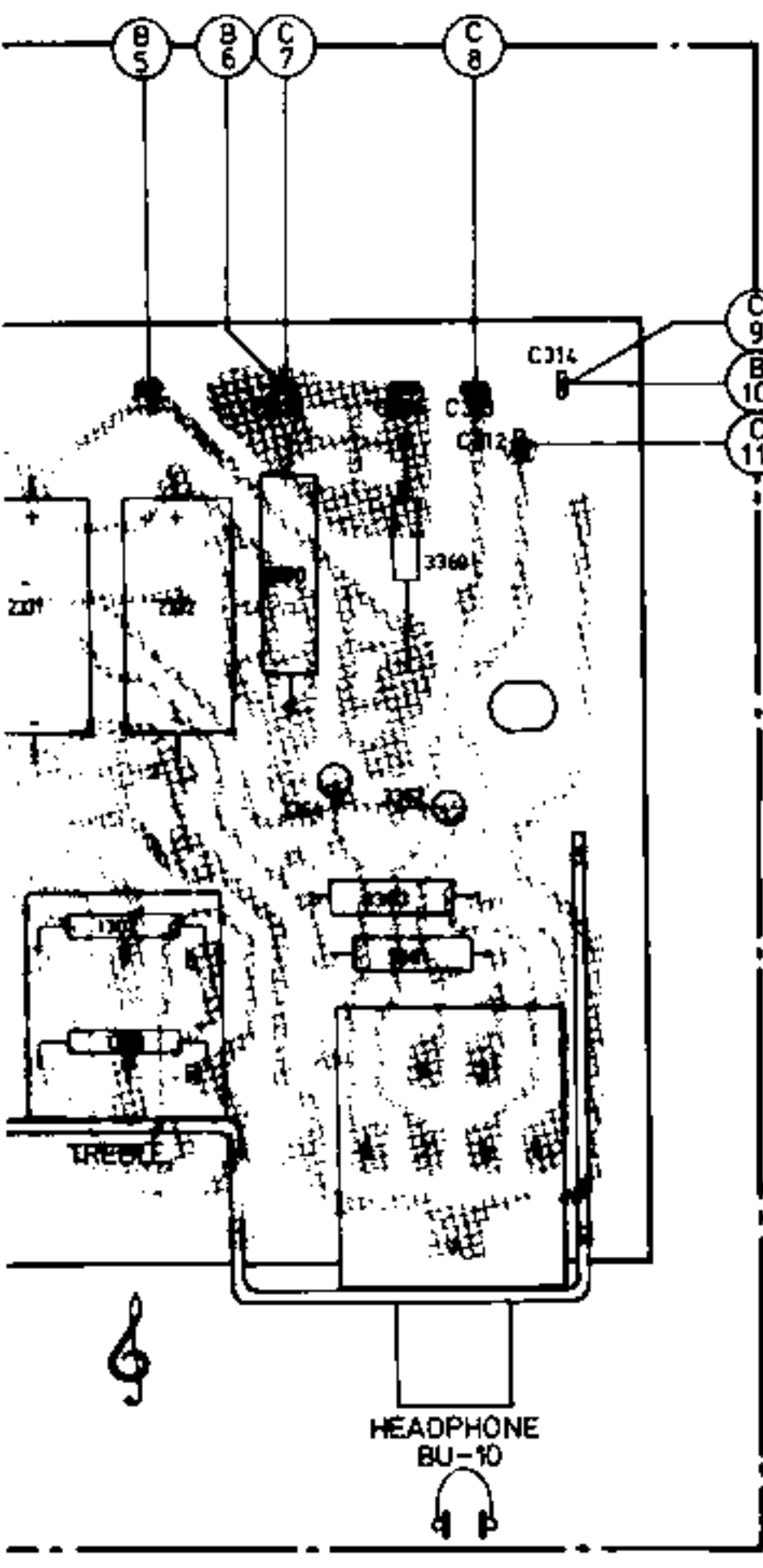
| | | TS 6301 | | | | TS 6303 | | | | D6317 TS 6307, 6311, 6313 | | | | | | | | | | | | | | | |
|------|------|---------|------|------|------|---------|------|------|------|---------------------------|------|------|------|------|------|------|------|------|------|------|------|------|---|--|---|
| | | TS 6302 | | | | TS 6304 | | | | D6318 TS 6308, 6312, 6314 | | | | | | | | | | | | | | | |
| 2301 | 2303 | 2305 | 2309 | 2311 | 2313 | 2315 | 2319 | 2321 | 2323 | 2325 | | | | | | | | | | | | | | | |
| 2302 | 2304 | 2306 | 2310 | 2312 | 2314 | 2316 | 2320 | 2322 | 2324 | 2326 | | | | | | | | | | | | | | | |
| 3563 | 3565 | 1302 | 3301 | 1303 | 3309 | 3311 | 3313 | 3319 | 3321 | 3323 | 3329 | 1305 | 3331 | 3333 | 3347 | 3337 | 1307 | 3351 | 3355 | 3363 | 3345 | R | | | |
| 1 | 3552 | 3303 | | | | | 3315 | | | | | 3339 | 3341 | | | | | 3349 | 3357 | 3361 | | | R | | |
| 3564 | 3566 | 1301 | 3302 | 1304 | 3310 | 3312 | 3314 | 3320 | 3322 | 3324 | 3330 | 1306 | 3332 | 3334 | 3348 | 3338 | 1308 | 3352 | 3356 | 3362 | | | R | | |
| | | | 3304 | | | | | 3316 | | | | | 3340 | 3342 | | | | | 3350 | 3358 | 3364 | 3346 | | | R |

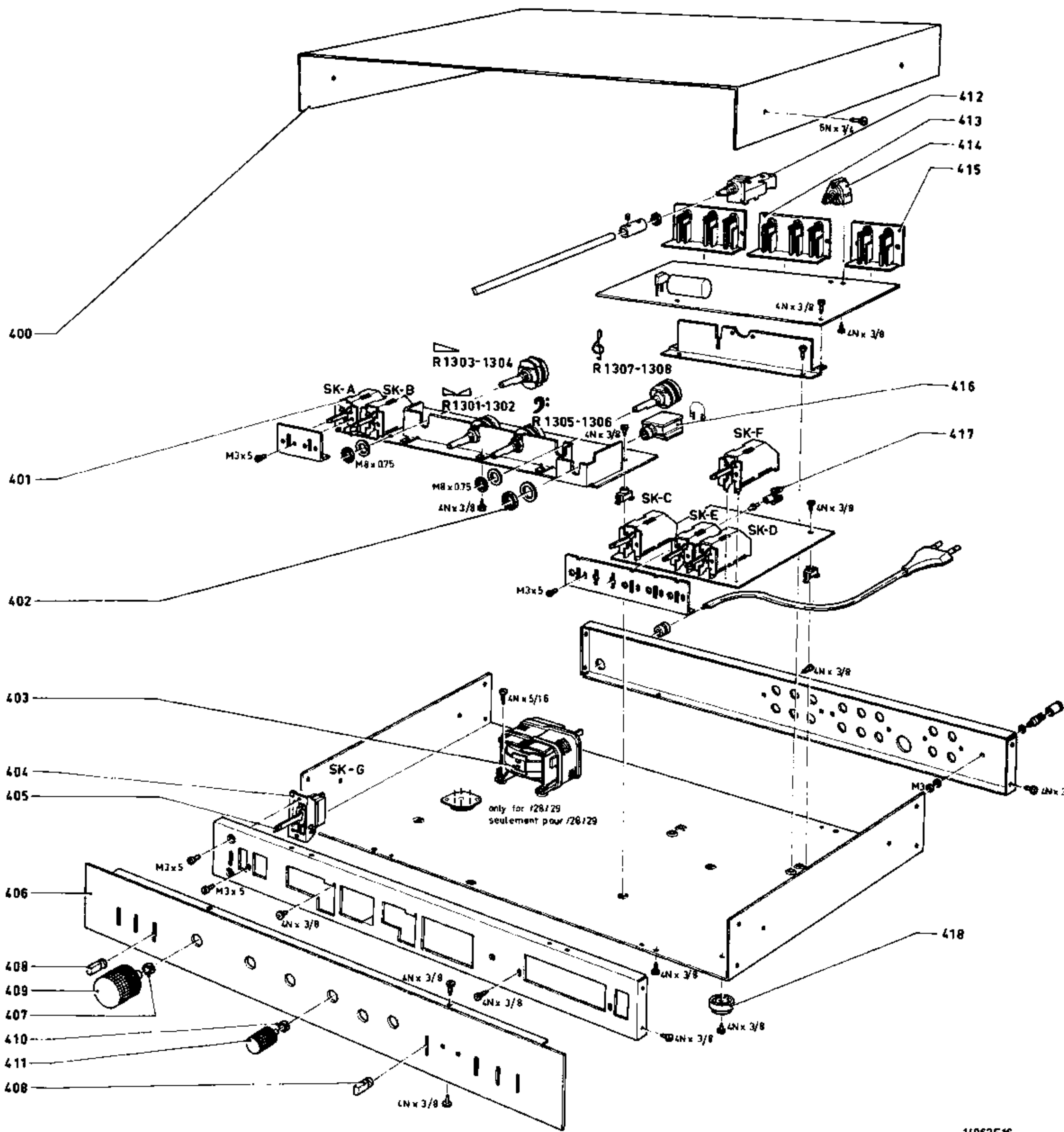


| | | | | | | |
|------|---|-----------------------------|---|---|--|---------------------|
| MISC | 6510.6303 | 6301.6302 | 6304.6313 | 6311.6307.6317.6312.6314.6318.6308 | 6502.6504 | 6503.6501 |
| C | 2316.2314.2311.2315.2302.2313.2309.2301.2303.2310.2304... | 2306.2317 | 2325 | 2323.2321.2322.2319 | 2326 | 2320 2324.2331 2332 |
| | 2518.2517.2516 | 2515 | | 2506.2512.2504.2510.2502.2508.2507.2501.2509.2503.2511.2505 | | |
| R | 3323 | 3321.3304.3319.3315.3309... | 3316.3320.3302.3322.3324.3357.3355.3351.3352.3356.3358.3348.3333.3331 | 3334.3350.3338.3337.3332.3330 | | 3370.33 |
| | 3545.3546 | 3303 3301 | 1304.1303 | 3541...3544.3547.3349.1302.1301.3329.3339.3527... | 3530.3541.1305.1306.3502.3501.3342.3340.1307.1308 | 33 |
| | | | | | 3506.3508.3504.3510...3516.3518...3524.3509.3503.3507.3505 | |





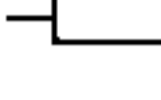

| | | | | | | |
|---------------------|---------------------|--|---------------------|-----------|------|------|
| 2331 | 2332 | 6559 | 6560 | 1004.6551 | 6552 | MISC |
| 2509.2503.2511.2505 | 3370.3364.3362.3369 | 3554.3563.3559.3561.3562.3560.3564.3566.3565 | 2555.2553 | 2551 | 2552 | C |
| 3340.1307.1308 | 3363.3361 | 3553 | 3555.3557.3558.3556 | | | R |
| 33503.3507.3505 | | | | | | |





14962E16

| | | | |
|-----|----------------|-----|----------------|
| 400 | 4822 425 40138 | 410 | 4822 492 60964 |
| 401 | 4822 277 10451 | 411 | 4822 413 30763 |
| 402 | 4822 505 10571 | 412 | 4822 273 60108 |
| 403 | 4822 146 40235 | 413 | 4822 267 40314 |
| 404 | 4822 278 90344 | 414 | 4822 267 40209 |
| 405 | 4822 277 10461 | 415 | 4822 267 40315 |
| 406 | 4822 426 50281 | 416 | 4822 267 30277 |
| 407 | 4822 492 60964 | 417 | 4822 256 90201 |
| 408 | 4822 411 50463 | 418 | 4822 462 40363 |
| 409 | 4822 413 40792 | | |

| | | | | | |
|--|-------------------|----------------|---|------------|----------------|
|  | | |  | | |
| 2309-2310 | 47 μ F-10 V | 4822 124 20461 | 6301-6302 | BC559 | 4822 130 40963 |
| 2321-2322 | 2.2 nF | 4822 121 50415 | 6303-6304 | BC548 | 4822 130 40937 |
| 2505-2506 | 28 nF | 5322 121 54113 | 6307-6308 | BC548 | 4822 130 40937 |
| 2507-2508 | 47 μ F-10 V | 4822 124 20461 | 6311-6312 | BC548 | 4822 130 40937 |
| 2509-2510 | 5.6 nF | 4822 121 50543 | 6313-6314 | BC558B | 4822 130 44197 |
| 2515 | 2200 μ F-40 V | 4822 124 70252 | 6501-6502 | BC560B | 4822 130 41124 |
| 2516-2517 | 10 nF | 4822 122 30043 | 6503-6504 | BC550B | 5322 130 44454 |
| 2551-2552 | 8.2 nF | 4822 121 40147 | 6551-6552 | BC559B | 4822 130 44358 |
|  | | |  | | |
| 1301-1302 | 20K | 4822 102 10144 | 6317-6318 | BZX75/C2V1 | 5322 130 34049 |
| 1303-1304 | 50K | 4822 102 10142 | 6510 | BY164 | 4822 130 30414 |
| 1305-1306 | 50K | 4822 102 10143 | 6559 | LD37/1 | 4822 130 30923 |
| 1307-1308 | 50K | 4822 102 10143 | 6560 | LD30/1 | 4822 130 30924 |

GB

Safety regulations require that the set be restored to its original condition and that parts which are identical with those specified, be used.

NL

Veiligheidsbepalingen vereisen, dat het apparaat bij reparatie in zijn oorspronkelijke toestand wordt teruggebracht en dat onderdelen, identiek aan de gespecificeerde, worden toegepast.

F

Les normes de sécurité exigent que l'appareil soit remis à l'état d'origine et que soient utilisées les pièces de rechange identiques à celles spécifiées.

D

Die Sicherheitsvorschriften erfordern, dass das Gerät sich nach der Reparatur in seinem originalen Zustand befindet und dass die benutzten Einzelteile den aufgeführten Teilen identisch sind.

SF

Korjatessa laitetta on turvallisuussyistä ehdottomasti eneteltävä oikein ja käytettävä tehtaan määäämiä alkuperäisvaraosia.

I

Le norme di sicurezza esigono che l'apparecchio venga rimesso nelle condizioni originali e che siano utilizzati i pezzi di ricambio identici a quelli specificati.

S

Säkerhetsbestämmelserna kräver att varje reparation skall utföras korrekt med hänsyn till ursprunglig placering av komponenter, ledningar etc. och med användning af föreskrivna reservdelar.

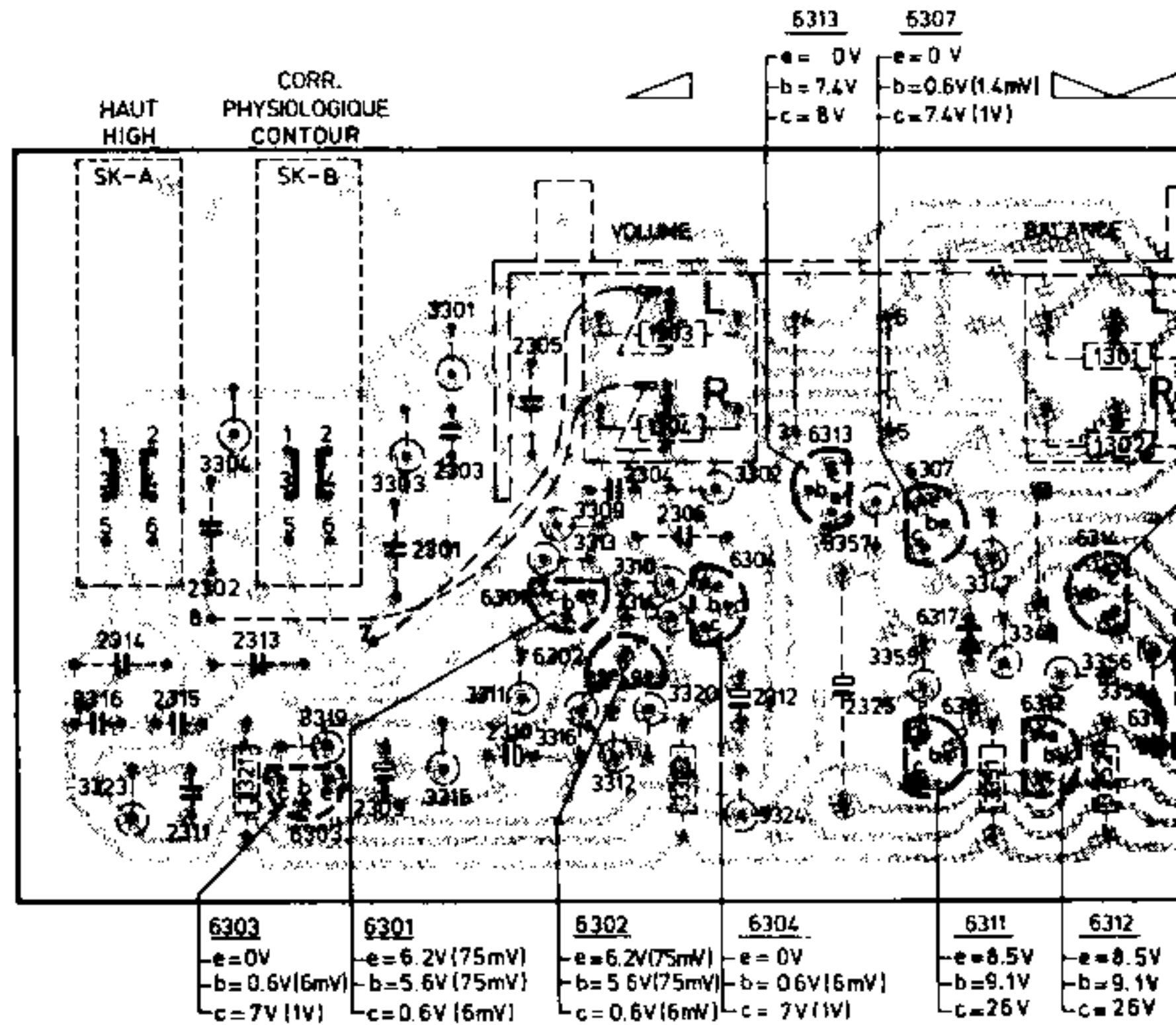
DK

Myndighedernes sikkerheds- og radiostøjbestemmelser kræver, at enhver reparation skal udføres korrekt m.h.t. overholdelse af originalplacering og montering af komponenter, ledningsbundter, etc., og ved anvendelse af de foreskrevne reservedele.

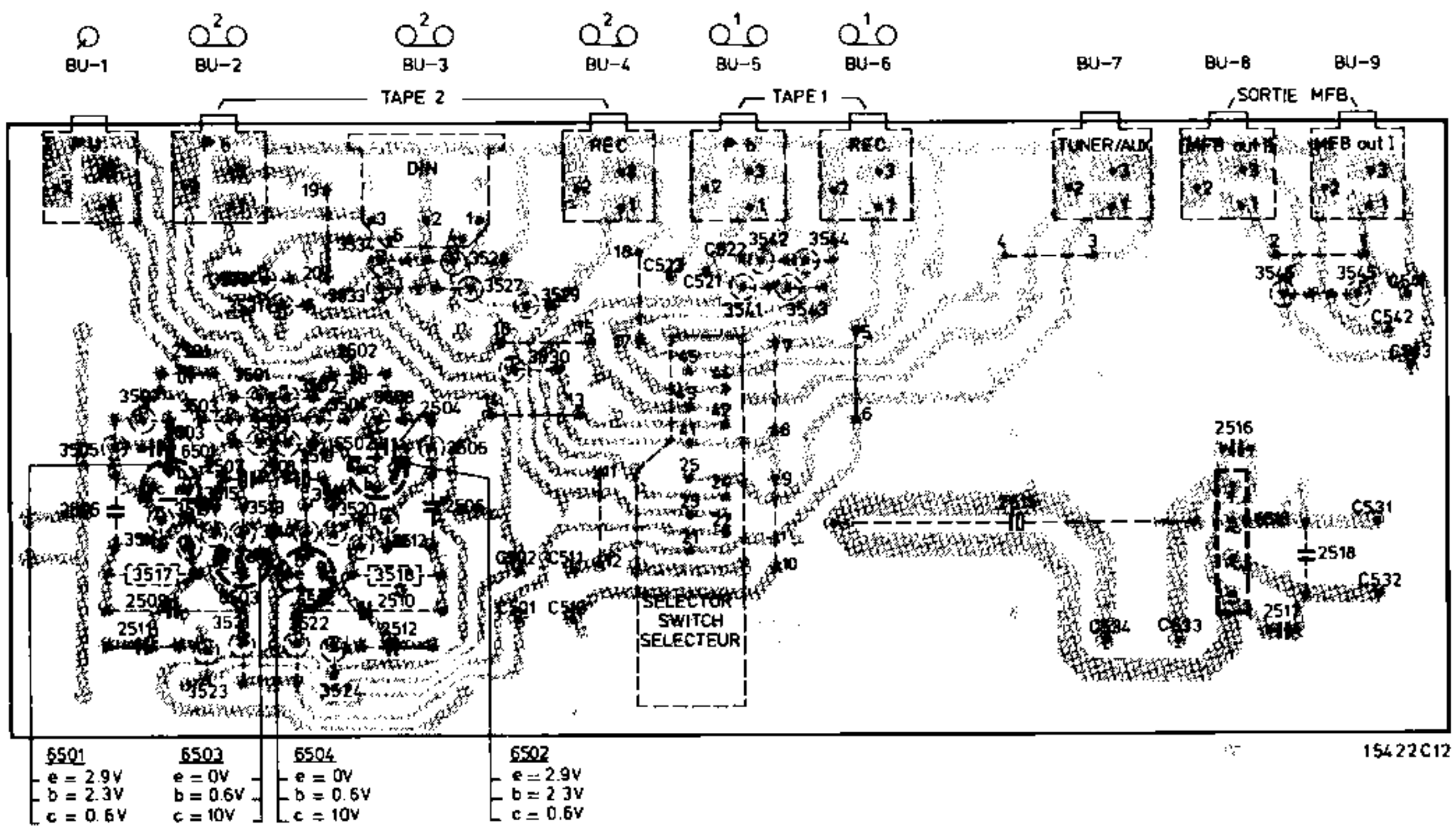
N

Sikkerhetsbestemmelser kreves at apparatet blir gjenopprettet til original utførelse og at deler som er identiske med de som er spesifisert, blir benyttet.

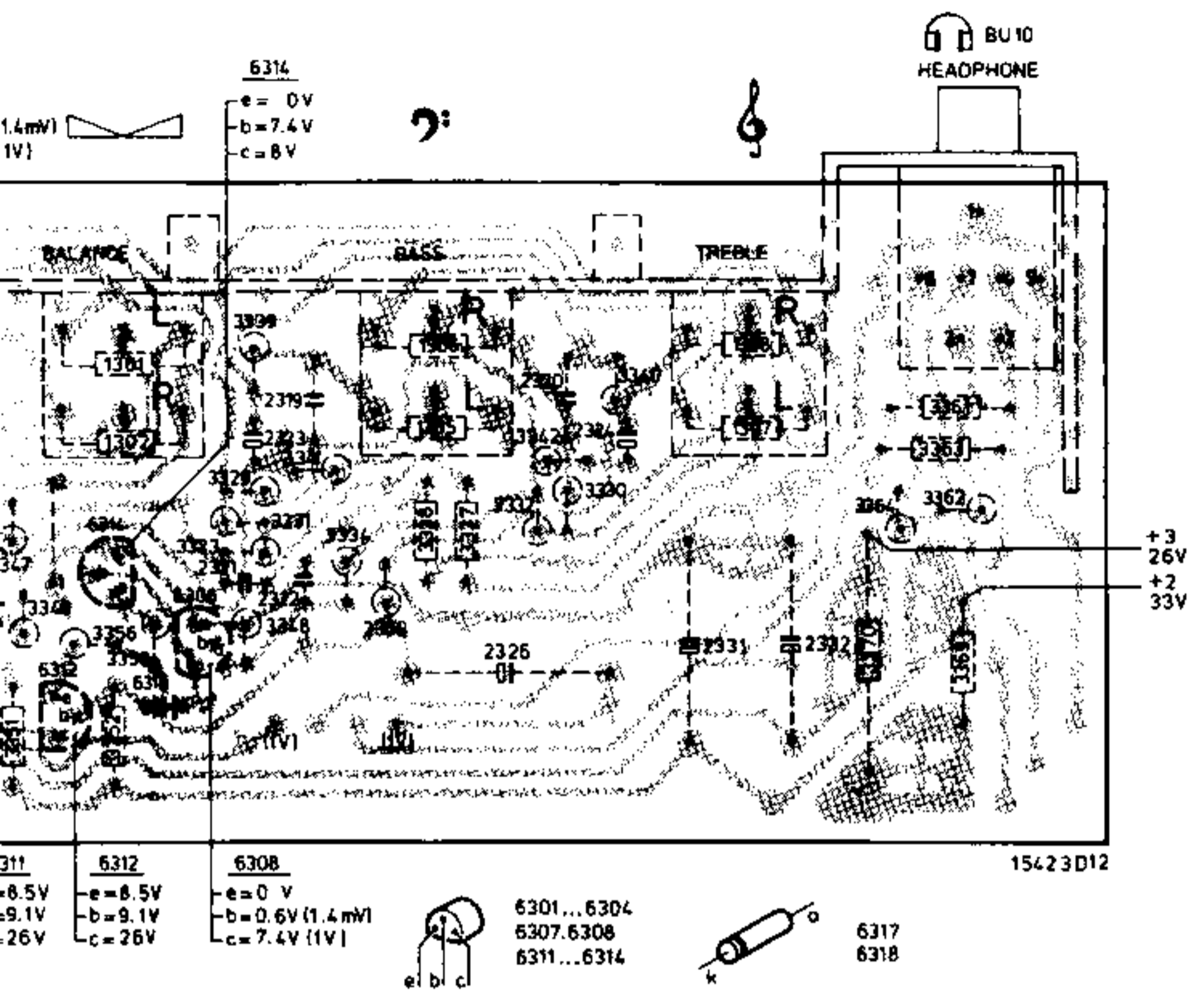
| | | | | | | | |
|-------|------------------|-----------|------------------------------------|--|---------------------|------|------|
| MISC. | SK-A | SK-B.6303 | 6301.6302 | 6304 | 6313.6307.6317.6311 | 6314 | 6315 |
| C | 2313...2316.2311 | 2302 | 2309.2301.2303.2310.2305.2304.2306 | 2312 | 2325 | | |
| R | 1331...3334 | 3323.3304 | 3321.3319.3303 | 3301.3309...3316.3322.1303.1304.3320.3302.3324 | 1301.1302.3303 | | |
| | 3335...3370 | | | 3357.3355.3347.3351.3349.3356.3352.3353 | | | |



| | | | | | | |
|-------|---|-----------|------|------|-----------|----------------|
| MISC. | 6501 | 6503 | 6504 | 6502 | 6510 | MISC. |
| C | 2505.2511.2503.2509.2501.2507.2508.2502.2510.2504.2512.2506 | | | | 2515 | 2516.2517.2518 |
| R | 3505.3511.3507.3503.3509.3501.3513...3516.3502.3510.3504.3508.3512.3506 | | | | | |
| R | 3517.3519.3521...3524.3531...3534.3520.3518.3527...3530 | 3541-3544 | | | 3546.3545 | |



| | | | | | | | | |
|------|------|-------------------------------|-------------|--------------------------|------|-----------------------|-------------|-------|
| 6311 | 6314 | 6308 | 2319...2323 | 2326,2320,2324 | 2331 | 2332 | BU10 | MISC. |
| | | 1301,1302,3333,3325,3331,3334 | | 1306,1305,3332,3330 | | 1308,1307 | | C |
| | | 3349,3356,3352,3358 | | 3339,3348,3341,3350,3338 | | 3342 | 3340 | R |
| | | | | | | 3370,3361...3364,3369 | 3335...3370 | |



| | | |
|--------|--------|----------------|
| 6311 | 6312 | 6308 |
| e=8.5V | e=8.5V | e=0 V |
| b=9.1V | b=9.1V | b=0.6V (1.4mV) |
| c=26V | c=26V | c=7.4V (1V) |



6301...6304
6307,6308
6311...6314



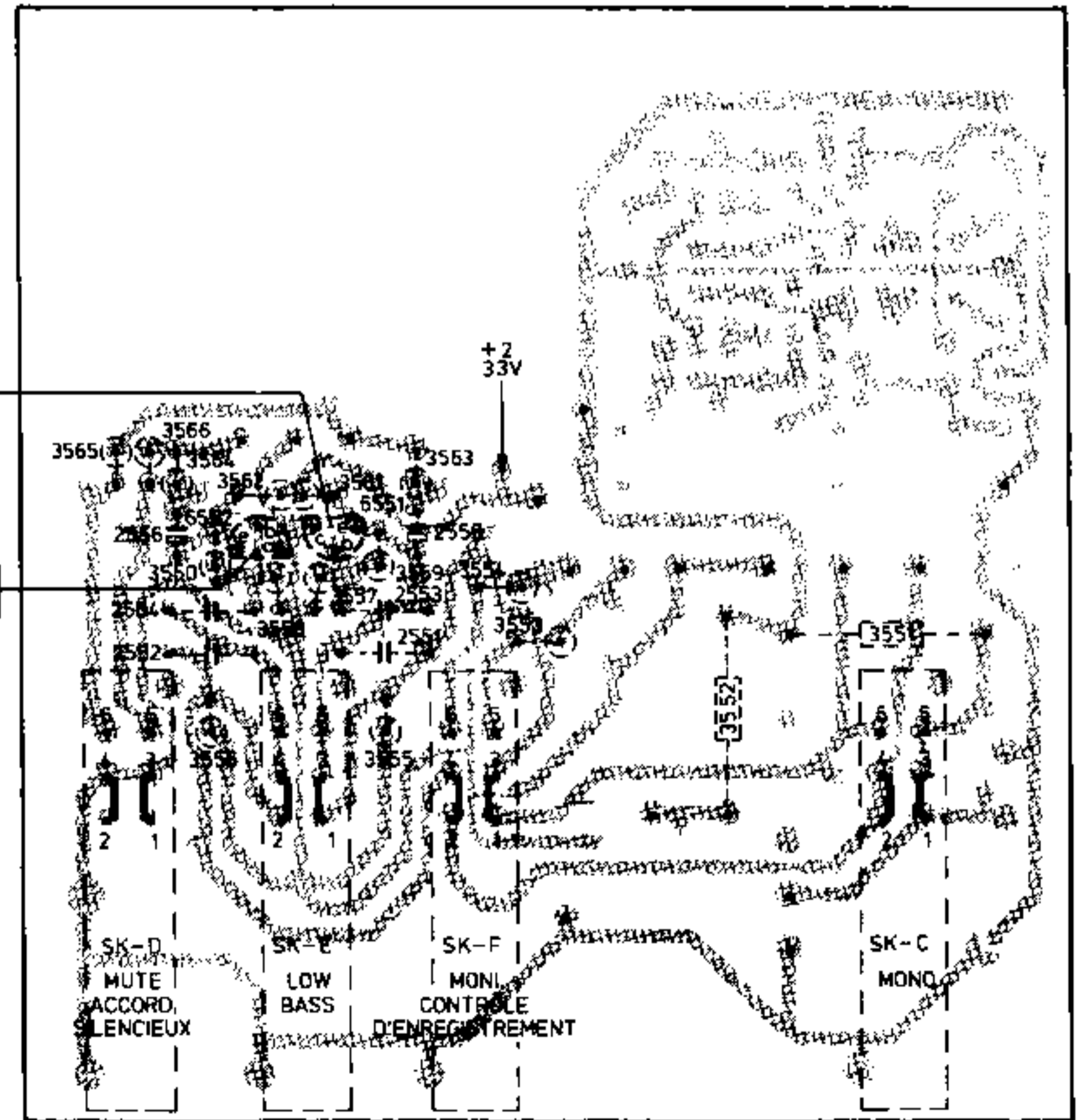
6317
6318

15423D12

C.
C
R
R

| | | | | | |
|---------------|------|----------------|----------------|-----------|------|
| MISC. | SK-D | 6552,6551 | SK-E | SK-F | SK-C |
| C 2551...2568 | | 2556,2554,2552 | 2553,2551,2555 | | |
| R 3551...3582 | | 3564...3566 | 3555...3563 | 3554,3553 | 3552 |
| | | | | | 3551 |

| |
|---------|
| 6551 |
| e=12.6V |
| b=12 V |
| c=0 V |
| 6552 |
| e=12.6V |
| b=12 V |
| c=0 V |



6551
6552

--- V ~
(---) V ~

15421C12