

CAPACITORS

No.	Description	Code No.
C1, 2, 3, 4	2 gang tuning with trimmers	49.002.22
C5	0.04 μ F 150V paper, A.E.E. type W99	
C6, 11, 17	Part of I.F. transformers	
C7	3,300pF 100V "Styroseal"	CZ.074.412
C8	25 μ F 6V electrolytic	CZ.099.809
C9, 10, 13, 14, 15		
	+80% 0.047 μ F -20% 33V ceramic, Hi-K	CZ.097.901
C12	54pF \pm 2% ceramic	C302.AC/54E
C16	18pF \pm 1pF ceramic	C302.AB/M18E
C18	1,000pF 100V "Styroseal"	CZ.072.805
C19, 21	2 μ F 6V electrolytic	CZ.099.209
C20, 23	10 μ F 6V electrolytic	CZ.099.210
C22	80 μ F 6V electrolytic	AC5711/80
C24	4,700pF 100V "Styroseal"	CZ.074.413
C25	0.1 μ F \pm 25% 150V paper, A.E.E. type W48	

All tolerances are \pm 20% unless otherwise specified.

RESISTORS

No.	Description	Code No.
R1, 2	3,300 Ω \pm 5% $\frac{1}{2}$ W carbon	
R3	12,000 Ω \pm 5% $\frac{1}{2}$ W carbon	
R4, 21	560 Ω \pm 5% $\frac{1}{2}$ W carbon	
R5, 9, 16	1,000 Ω \pm 5% $\frac{1}{2}$ W carbon	
R6	180,000 Ω $\frac{1}{2}$ W carbon	
R7	15,000 Ω \pm 5% $\frac{1}{2}$ W carbon	
R8	4,700 Ω \pm 5% $\frac{1}{2}$ W carbon	
R10	1,000 Ω $\frac{1}{2}$ W carbon	
R11	15,000 Ω $\frac{1}{2}$ W carbon	
R12	680 Ω $\frac{1}{2}$ W carbon	
R13	10,000 Ω potentiometer with S.P.S.T. switch	CZ.032.031
R14	10,000 Ω $\frac{1}{2}$ W carbon	
R15	56,000 Ω $\frac{1}{2}$ W carbon	
R17	4,700 Ω $\frac{1}{2}$ W carbon	
R18	5,600 Ω $\frac{1}{2}$ W carbon	
R19	22,000 Ω $\frac{1}{2}$ W carbon	
R20	220 Ω $\frac{1}{2}$ W carbon	
R22	220 Ω \pm 5% $\frac{1}{2}$ W carbon	
R23	500 Ω \pm 20% N.T.C.	B8.320.O1P/500E
R24	4,300 Ω \pm 5% $\frac{1}{2}$ W carbon	
R25	10 Ω \pm 5% $\frac{1}{2}$ W carbon	
R26	22 Ω $\frac{1}{2}$ W carbon	

All tolerances are \pm 10% unless otherwise specified.

PARTS LIST

No.	Description	Code No.
R1, 2	3,300 Ω \pm 5% $\frac{1}{2}$ W carbon	
R3	12,000 Ω \pm 5% $\frac{1}{2}$ W carbon	
R4, 21	560 Ω \pm 5% $\frac{1}{2}$ W carbon	
R5, 9, 16	1,000 Ω \pm 5% $\frac{1}{2}$ W carbon	
R6	180,000 Ω $\frac{1}{2}$ W carbon	
R7	15,000 Ω \pm 5% $\frac{1}{2}$ W carbon	
R8	4,700 Ω \pm 5% $\frac{1}{2}$ W carbon	
R10	1,000 Ω $\frac{1}{2}$ W carbon	
R11	15,000 Ω $\frac{1}{2}$ W carbon	
R12	680 Ω $\frac{1}{2}$ W carbon	
R13	10,000 Ω potentiometer with S.P.S.T. switch	CZ.032.031
R14	10,000 Ω $\frac{1}{2}$ W carbon	
R15	56,000 Ω $\frac{1}{2}$ W carbon	
R17	4,700 Ω $\frac{1}{2}$ W carbon	
R18	5,600 Ω $\frac{1}{2}$ W carbon	
R19	22,000 Ω $\frac{1}{2}$ W carbon	
R20	220 Ω $\frac{1}{2}$ W carbon	
R22	220 Ω \pm 5% $\frac{1}{2}$ W carbon	
R23	500 Ω \pm 20% N.T.C.	B8.320.O1P/500E
R24	4,300 Ω \pm 5% $\frac{1}{2}$ W carbon	
R25	10 Ω \pm 5% $\frac{1}{2}$ W carbon	
R26	22 Ω $\frac{1}{2}$ W carbon	

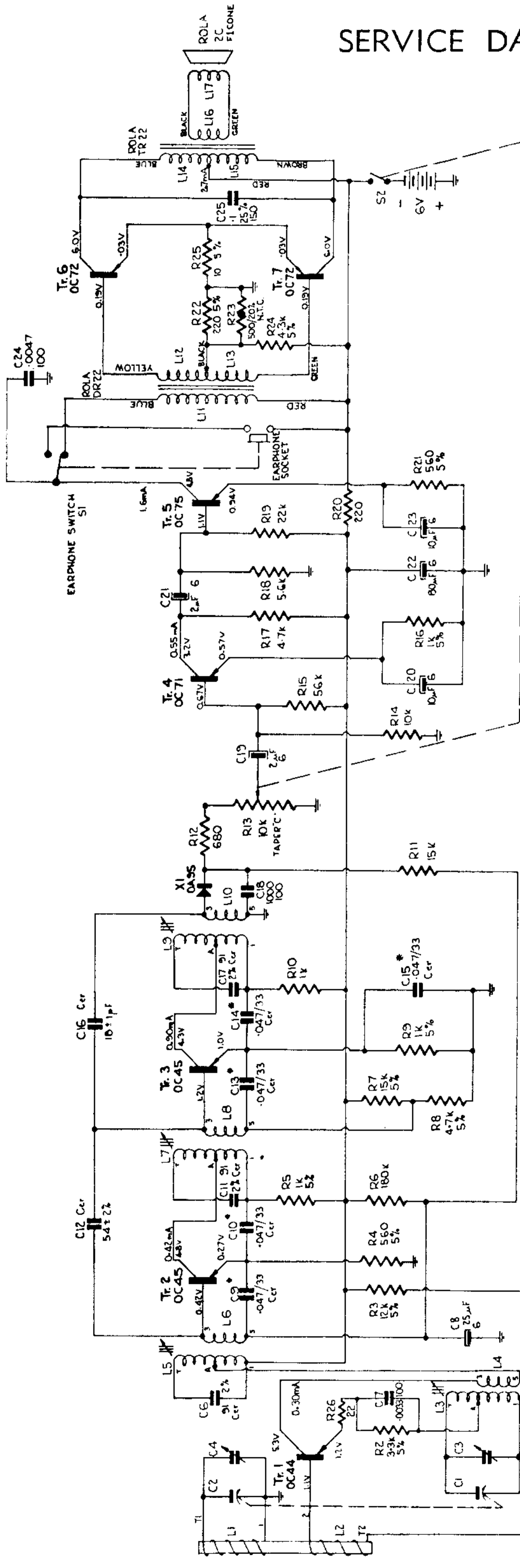
All tolerances are \pm 10% unless otherwise specified.

INDUCTORS

No.	D.C. Resistance (ohms)	Description	Type or Code No.
L1	1.35	Rod aerial assembly	A3.803.62
L2	<0.08		
L3	7.9-8.5	Oscillator coil	A3.128.65
L4	2.10-2.12		
L5	6.75-8.25	1st I.F.T.	A3.128.66
L6	<0.17		
L7	6.75-8.25	2nd I.F.T.	A3.128.66
L8	<0.17		
L9	7.5-9.25	3rd I.F.T.	A3.128.67
L10	<0.4		
L11	814-660	Driver transformer	Type DR22 CZ.345.063
L12	50-61		
L13			
L14	18-22	Output transformer	Type TR22 CZ.345.062
L15	<0.9		
L16			
L17		Loudspeaker	Type 2C-F1

IMPORTANT! When ordering spare parts, quote **CODE NUMBER** of part and **MODEL NUMBER** of Receiver. In claiming free replacement under **GUARANTEE**, return defective part **PROMPTLY** and quote **MODEL** and **SERIAL NUMBER** of Receiver and **DATE OF PURCHASE**.

SERVICE DATA

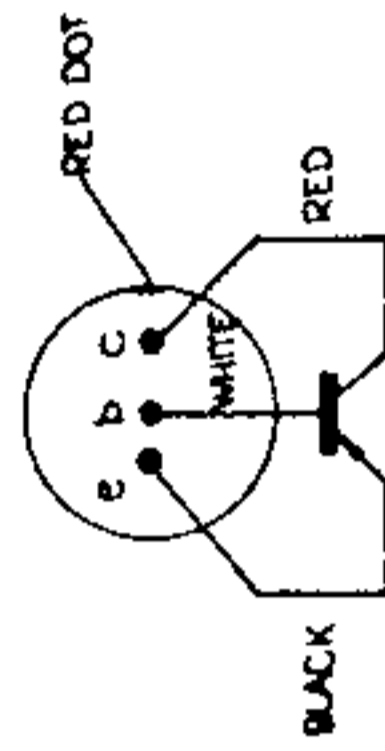


CAPACITOR VALUES

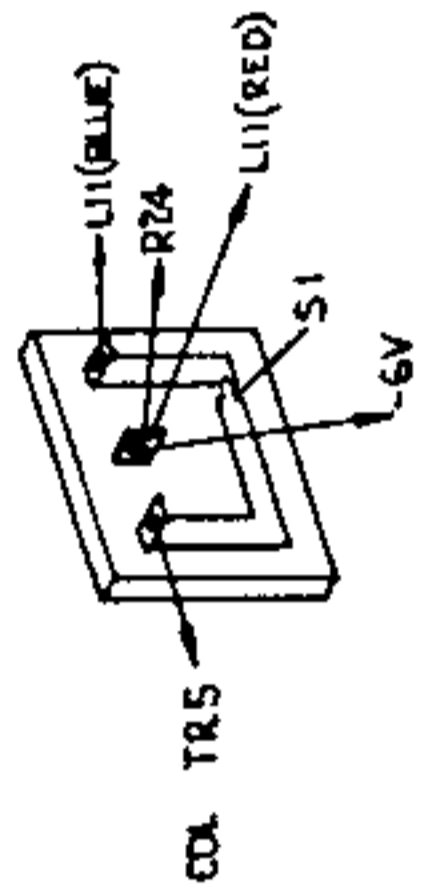
WHOLE NUMBERS - PF
 DECIMALS - μ F
 TOLERANCE 20% UNLESS SHOWN.
 * TOLERANCE -20% +80%.

RESISTORS

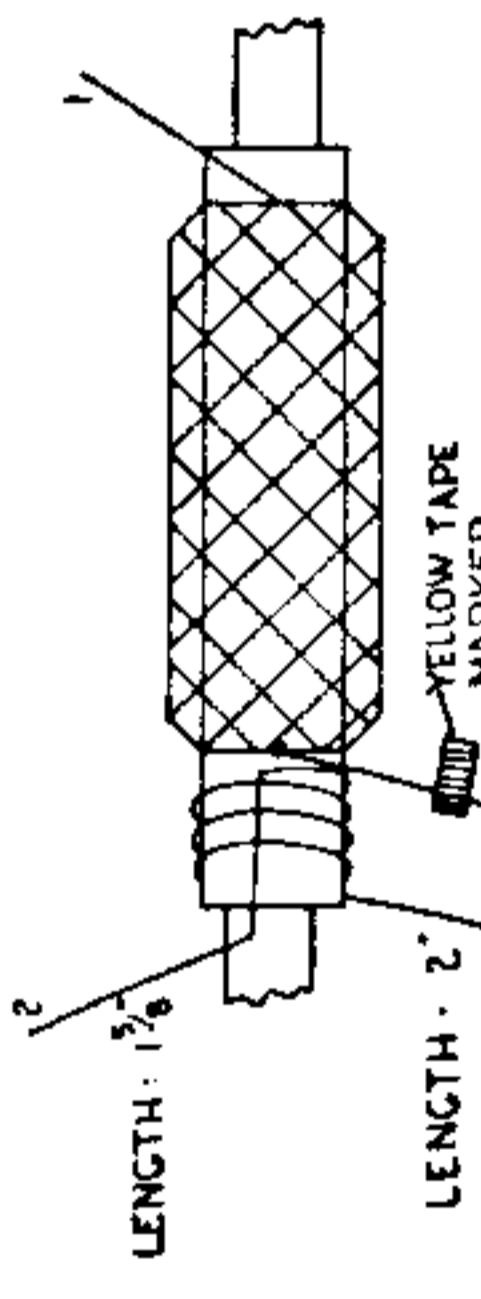
LAST FIGURE - D.C.V.W.
 1/2W 10% UNLESS OTHERWISE SHOWN.
 VOLTAGES MEASURED WITH A
 VACUUM TUBE VOLTMETER.



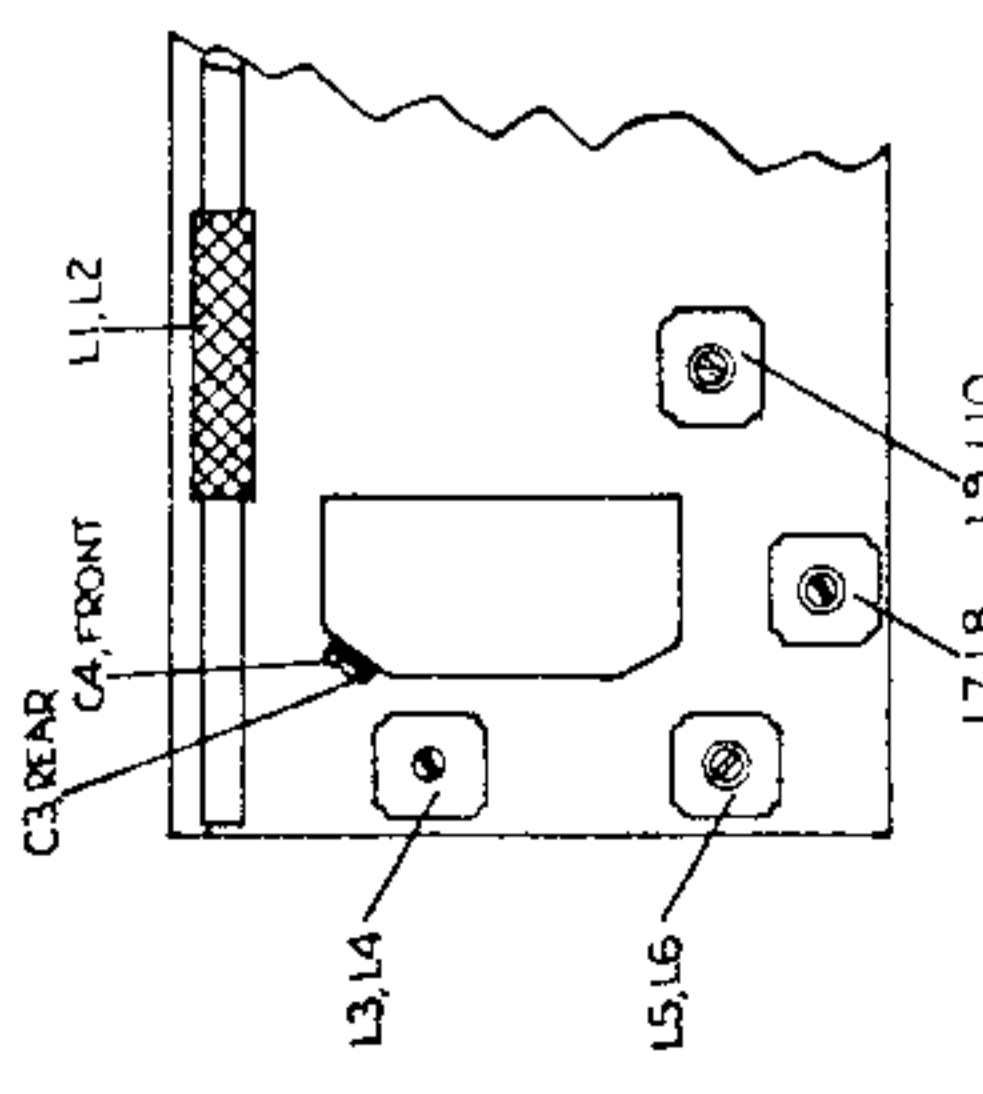
TRANSISTOR TERMINALS



EARPHONE SOCKET CONNECTIONS



AERIAL COIL

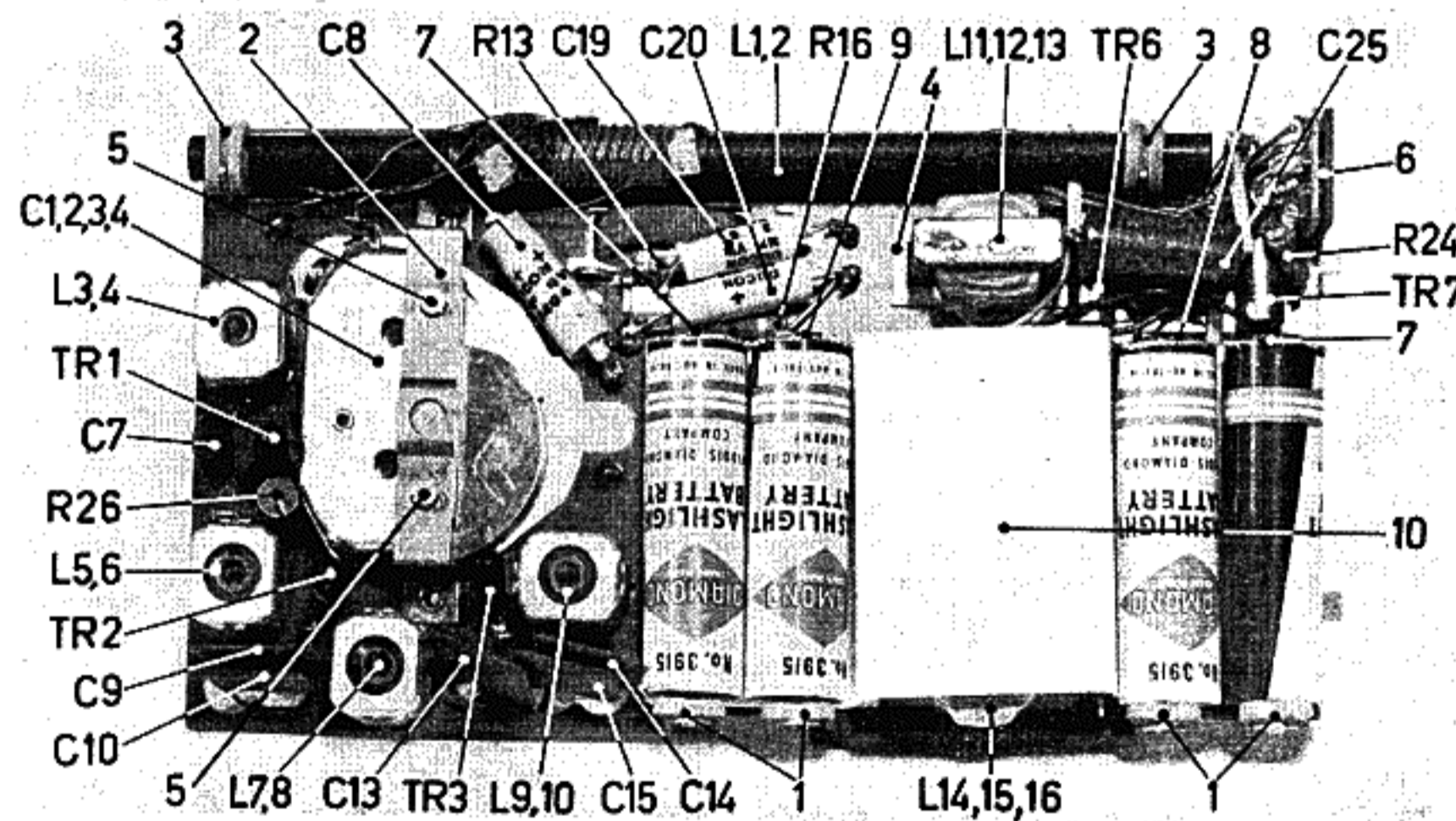


TRIMMER LAYOUT

L	1,2	3	4,5	6	7	8	9	10	11	12	13	14	15	16	17	18	19	20	21	22	23	24	25	26	27	28	29	30	31	32	33	34	35	36	37	38	39	40	41	42	43	44	45	46	47	48	49	50		
C	1	2	3	4	5	6	7	8	9	10	11	12	13	14	15	16	17	18	19	20	21	22	23	24	25	26	27	28	29	30	31	32	33	34	35	36	37	38	39	40	41	42	43	44	45	46	47	48	49	50
R	1	2	3	4	5	6	7	8	9	10	11	12	13	14	15	16	17	18	19	20	21	22	23	24	25	26	27	28	29	30	31	32	33	34	35	36	37	38	39	40	41	42	43	44	45	46	47	48	49	50
T	1	2	3	4	5	6	7	8	9	10	11	12	13	14	15	16	17	18	19	20	21	22	23	24	25	26	27	28	29	30	31	32	33	34	35	36	37	38	39	40	41	42	43	44	45	46	47	48	49	50

MISCELLANEOUS COMPONENTS

Ref. No.	Description	Code No.	Ref. No.	Description	Code No.
	Assy, case front, signal red	CR.577.047		Scale, dial	A3.925.69
	Assy., case front, burgundy	CR.577.048		Screw, gang to cab., x3	BO55.ED/3x5
	Assy., case front, charcoal	CR.577.049	5	Screw, gang to mtg. brkt., x2	BO54.ZZ/106
	Assy., case rear, signal red	CR.577.044		Screw, rear-case	A3.714.46
	Assy., case rear, burgundy	CR.577.045		Screw, tuning knob	A3.714.47
	Assy., case rear, charcoal	CR.577.046		Screw, volume knob	BO54.ED/1.7x3
1	Assy., battery contact, x4	CR.104.603	6	Socket, earphones	A3.777.26
	Badge	A3.825.33		Spacer, terminal plate mtg.	A3.714.45
2	Bracket, gang mtg.	A3.745.67	7	Spring, battery contact, x2	A3.817.41
	Circlip, rear-case screw retg.	B108.AF/2.3	8	Spring, battery contact, R.H.	A3.817.43
	Clip, speaker mtg.	CS.282.486	9	Spring, battery contact, L.H.	A3.817.44
	Grille, cabinet	A3.824.58	10	Strip, protective (batteries)	P5.280.65
3	Grommet, aerial rod mtg., x2	P7.060.08/514		Washer, felt, (dial scale to cab.)	A3.562.78
	Knob tuning	A3.772.61		Washer, phenolic (pot. brkt. to chassis), x2	CH.671.066
	Knob, volume	A3.772.57		Washer, tension (tuning knob to screw)	BO46.AA/6
	Pad, speaker (foam rubber)	P7.060.10/319			
4	Plate, transformer mtg., x2	CS.241.741			
	Plate, terminal	A3.777.27			



Published by PHILIPS ELECTRICAL INDUSTRIES PTY. LIMITED
 Sydney - Melbourne - Brisbane - Adelaide - Perth - Hobart