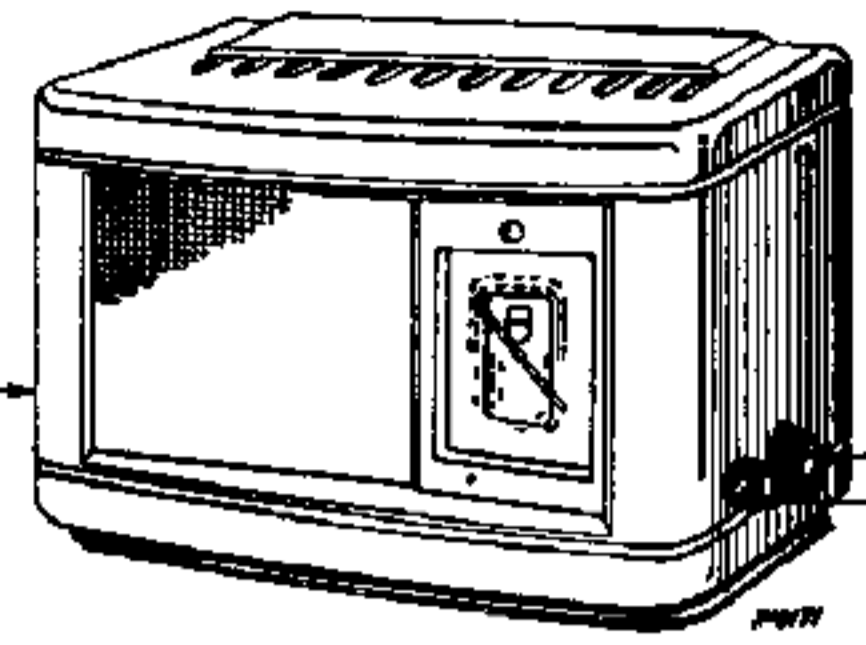


16,5-51 m (18,2-5,88 Mc/s) 9686 U-50 Z = 5 Ω
 196-570 m (1890-523 kc/s)
 750-1910 m (400-157 kc/s) 110 V, 125 V, 220 V.

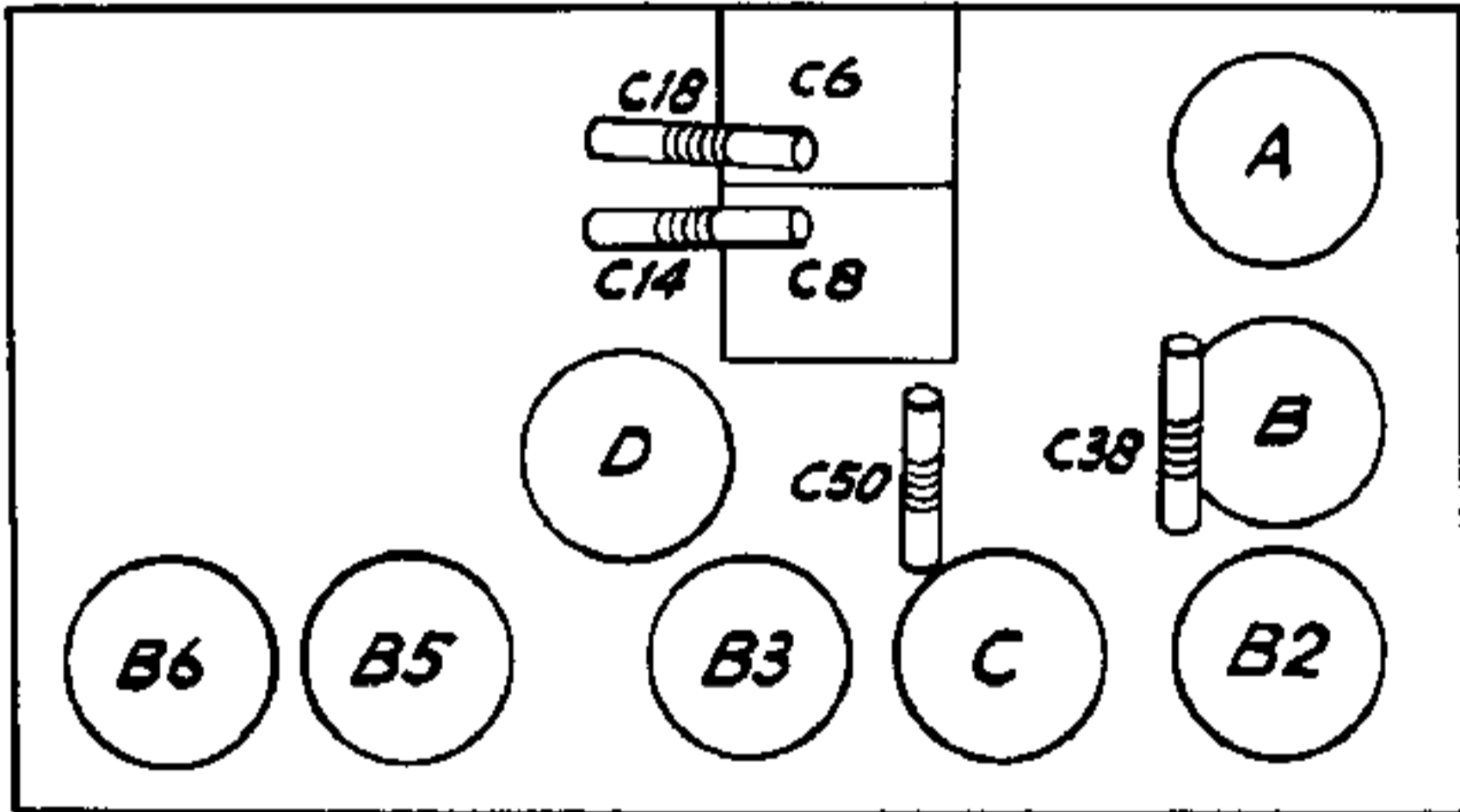
452 kc/s ± 24 W.



	196-570 m III	750-1910 m III	16,5-51 m III
VOL	MAX	VOL	MAX
	C6, C8 + 15°	↑	1875 m (160 kc/s)
	1450 kc/s — Y	⊞	160 kc/s — Y
	C38 max	⊞	C50 max
	C18 max	⊞	C14 max

15° 09 992 50.0

R11	0,45 + 0,05M	49 500 23.0	C1	27 μF	49 021 03.0
R12	0,82 MΩ	48 557 10/220K	C2	2,5 μF	49 021 04.1
R22	10 KΩ	48 557 10/10K	C3	2,5 μF	49 021 04.1
R33	68 KΩ	48 557 10/68K	C6	11-400 pF	A9 863 99.0
R34	1,5 MΩ	48 557 10/1M5	C8	11-400 pF	49 005 51.2
R35	6,8 MΩ	48 557 10/6M8	C14	32 pF	49 005 51.2
R36	0,68 MΩ	48 557 10/680K	C18	32 pF	49 005 51.2
R39	520 Ω		C19	39 pF	48 203 10/39E
R40	600 Ω		C20	22 pF	48 201 10/22E
R44	75 Ω	49 362 90.2	C38	32 pF	49 005 51.2
R45	580 Ω		C40	32 pF	48 203 10/32E
R41	27 KΩ	48 557 10/27K	C48	395 pF	48 203 01/395E
R42	5600 Ω	48 557 10/5K6	C50	200 pF	49 005 53.2
R43	150 Ω	48 494 10/150E	C51	100 pF	—
R46	4700 Ω	48 557 10/4K7	C52	103 pF	—
R47	56 Ω	48 557 10/56K	C61	103 pF	—
R75	220Ω par	48 557 10/220E	C62	103 pF	—
	270Ω = 120Ω	48 557 10/270E	C75	100 μF	48 513 22/100
R81	47 KΩ	48 557 10/47K	C85	4700 pF	48 757 20/4K7
R100	10 KΩ	48 557 10/10K	C100	1000 pF	48 757 20/1K
			C101	100 pF	48 203 10/100E
			C102	470 pF	48 203 10/470E
			C103	82 pF	48 203 10/82E
			C104	47000 pF	48 751 10/47K
			C105	47000 pF	48 751 10/47K
			C106	6800 pF	48 751 10/68K
			C107	100 pF	48 203 10/100E
			C108	68 pF	48 203 10/68K
			C109	1000 pF	48 751 20/1K
			C110	22000 pF	48 758 20/22K
			C111	56 pF	48 203 10/56K
			C112	2,5 μF	49 021 04.1
			C120	0,1 μF	48 751 10/100K



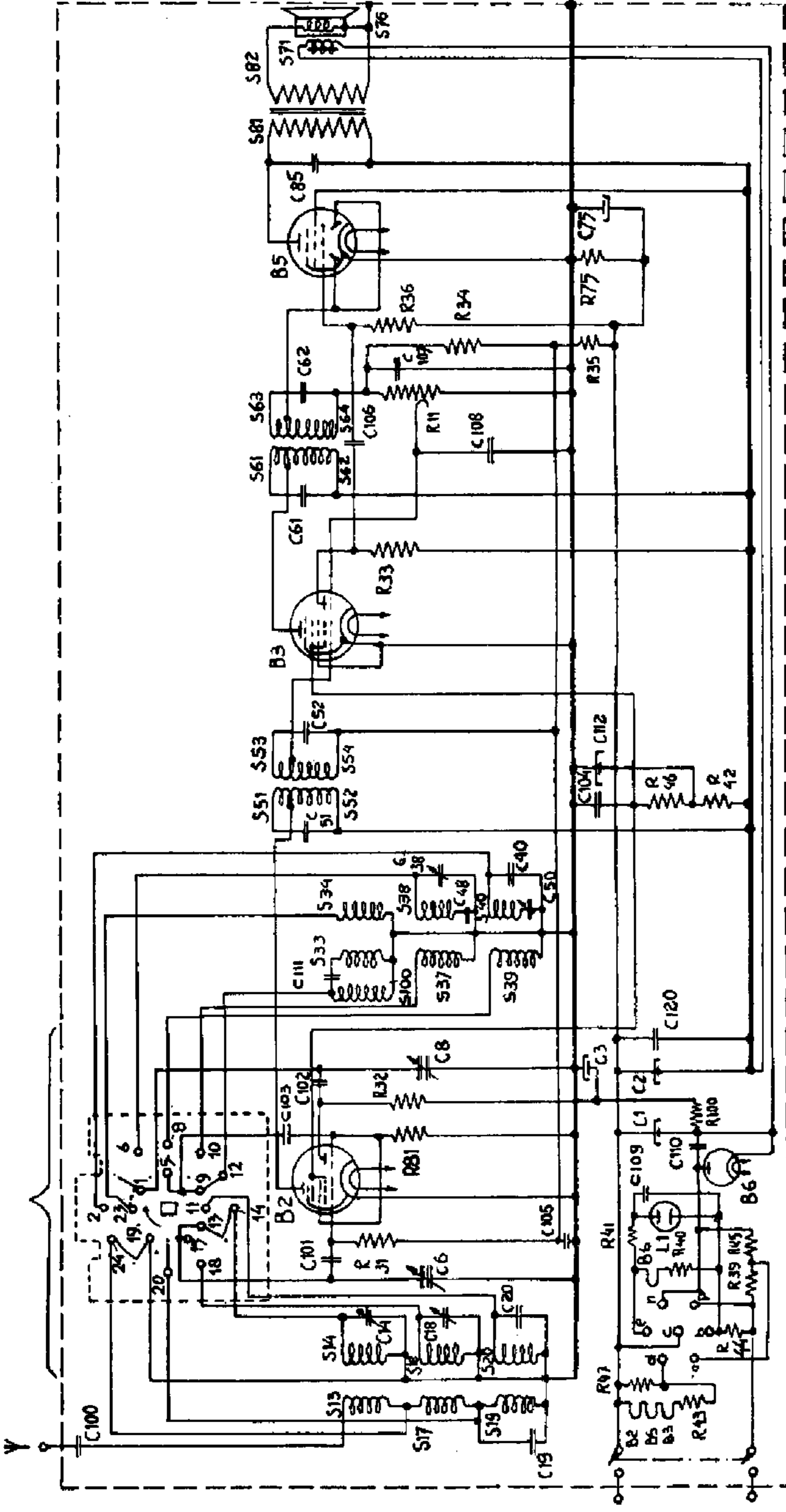
R14116

	B2	B3	B5	B6	
	UCH 21	UCH 21	UBL 21	UYIN	
Va	nT = 80 nH = 110	nT = 25 nH = 110	105	—	V
Vg2(4)	70	70	115	—	V
Vk	0	0	0	—	V
Ia	nT = 2,8 nH = 1,3	nT = 1,3 nH = 1,9	35	—	mA
Ig2(4)	2,6	1,3	5,6	—	mA

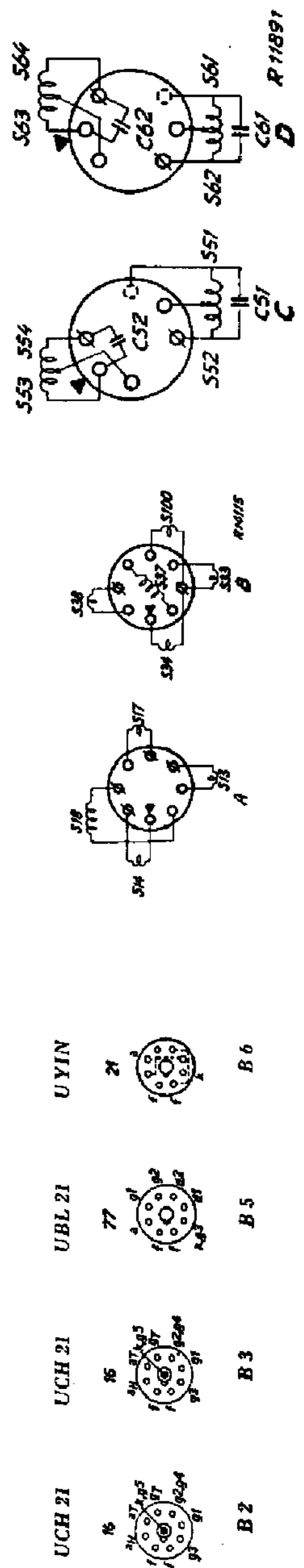
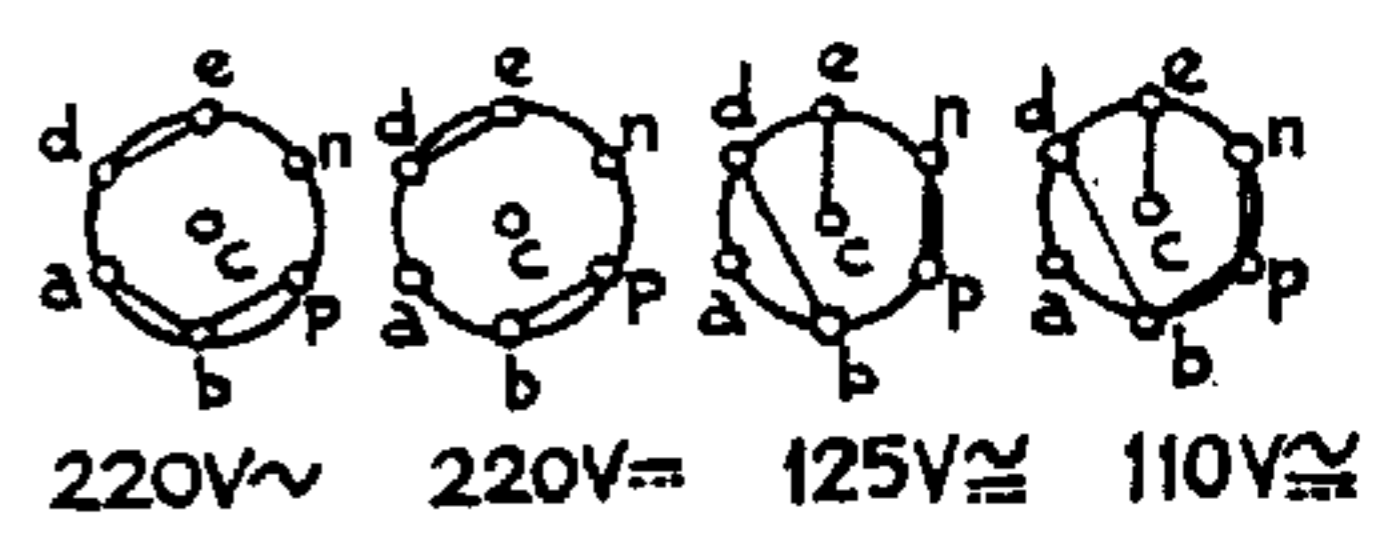
VC1 = 145 V, VC2 = 115 V, VC3 = 120 V, VC75 = 6 V, VS71 = 30 V, IS71 = 54mA.

513, 514, 517, 518	A1 037 48.0°	561, 562, 563, 564	{ A1 037 12.4°
519, 520	A1 002 07.1	C61, C62	
533, 534, 537, 538, 5100	{ A1 038 23.1°	571	A1 001 07.4°
539, 540	A1 002 08.0°	576	49 981 12.1
551, 552, 553, 564, C51, C52	{ A1 037 12.0°	581, 582	A1 081 02.0°

93 983.20.1

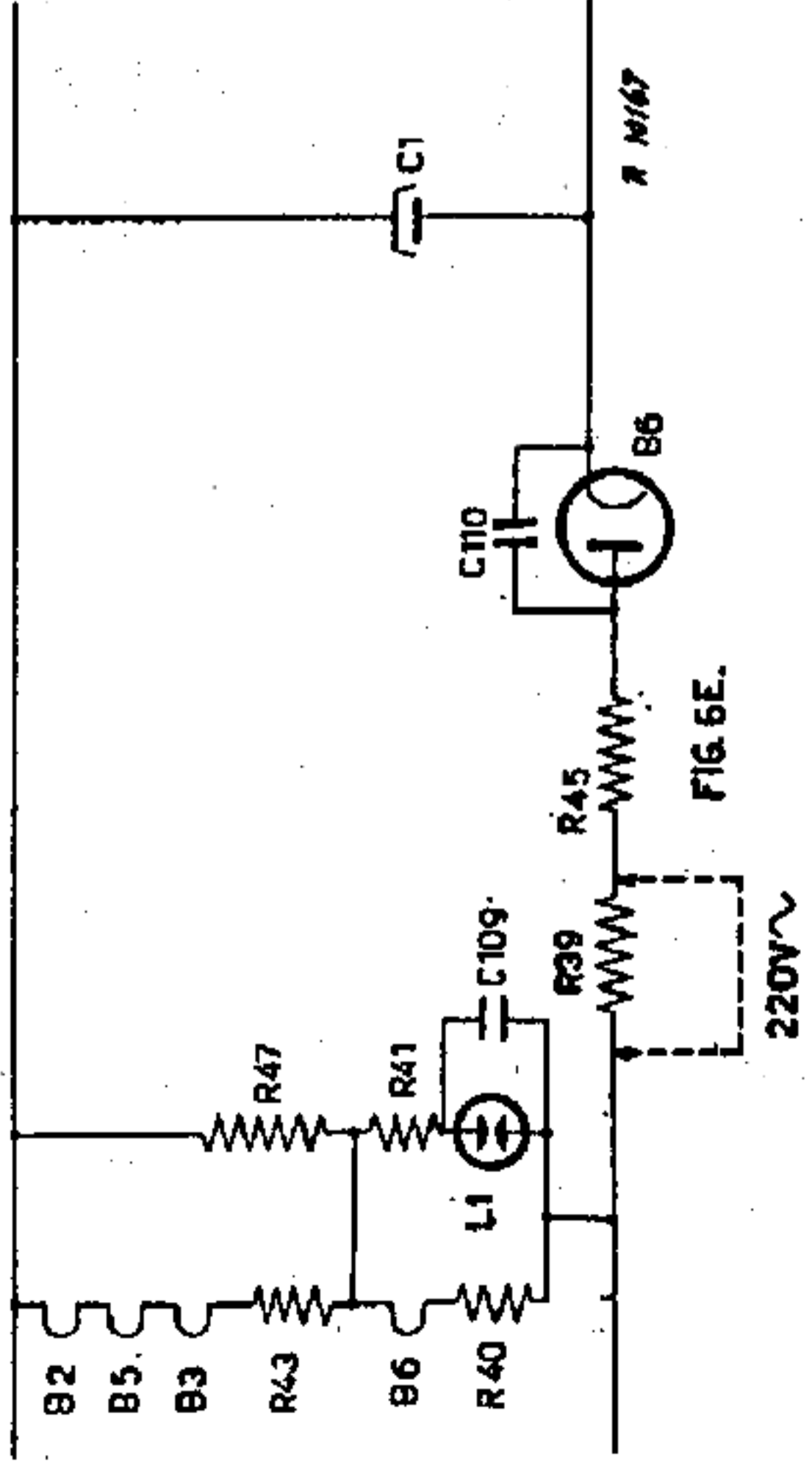


R 10157



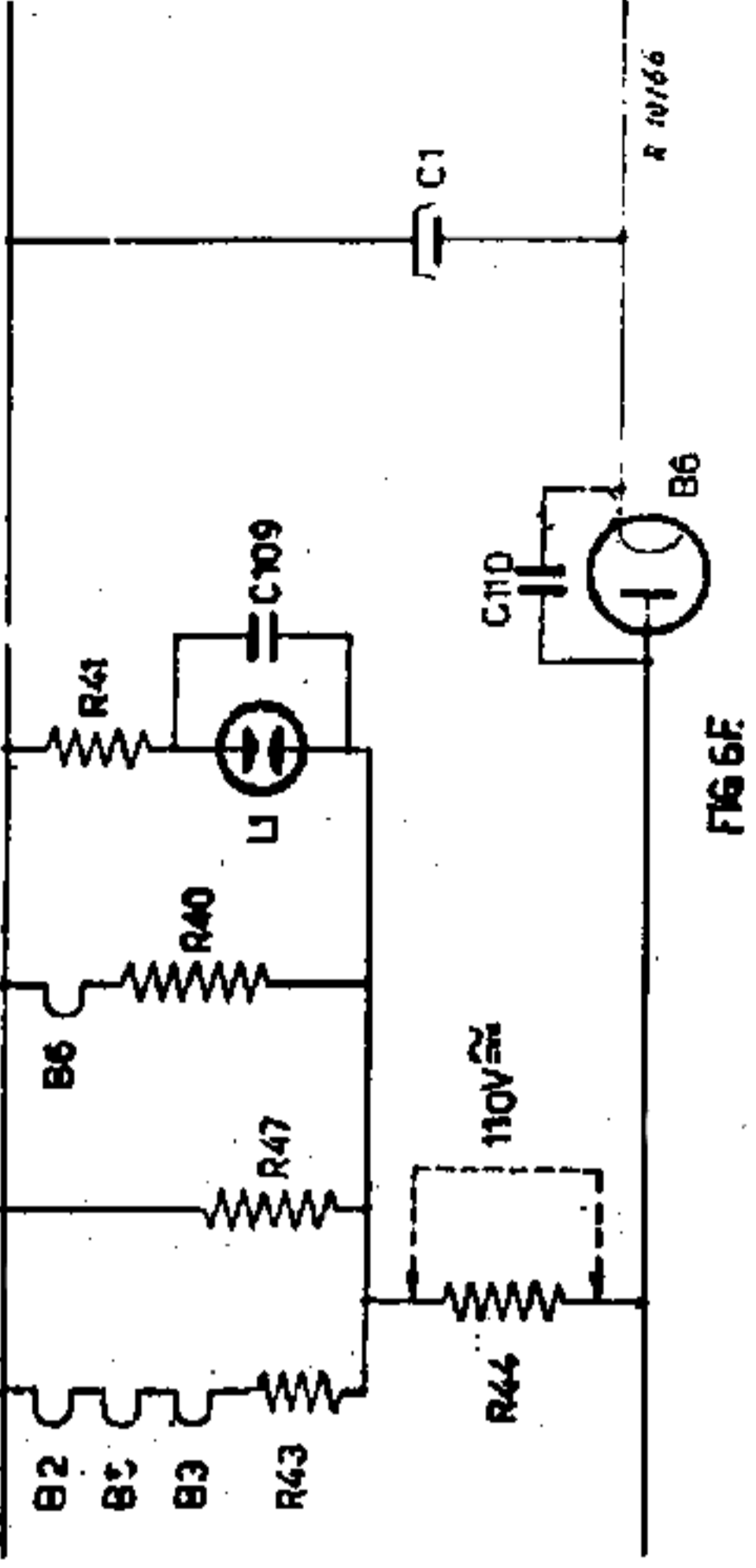
-10-46-48-49-

220V~ 220V



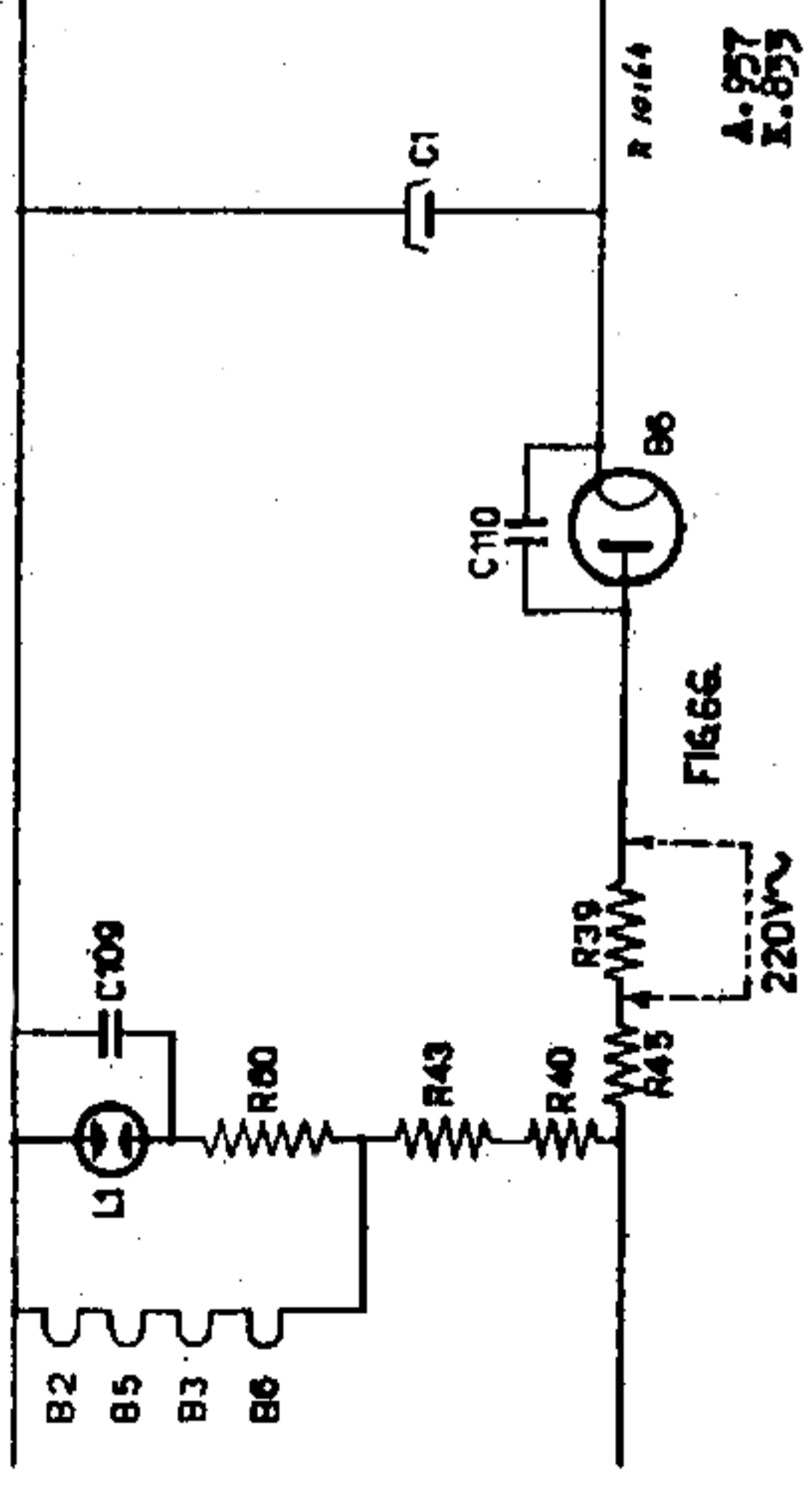
-10-46-48-49-

110V~ 125V



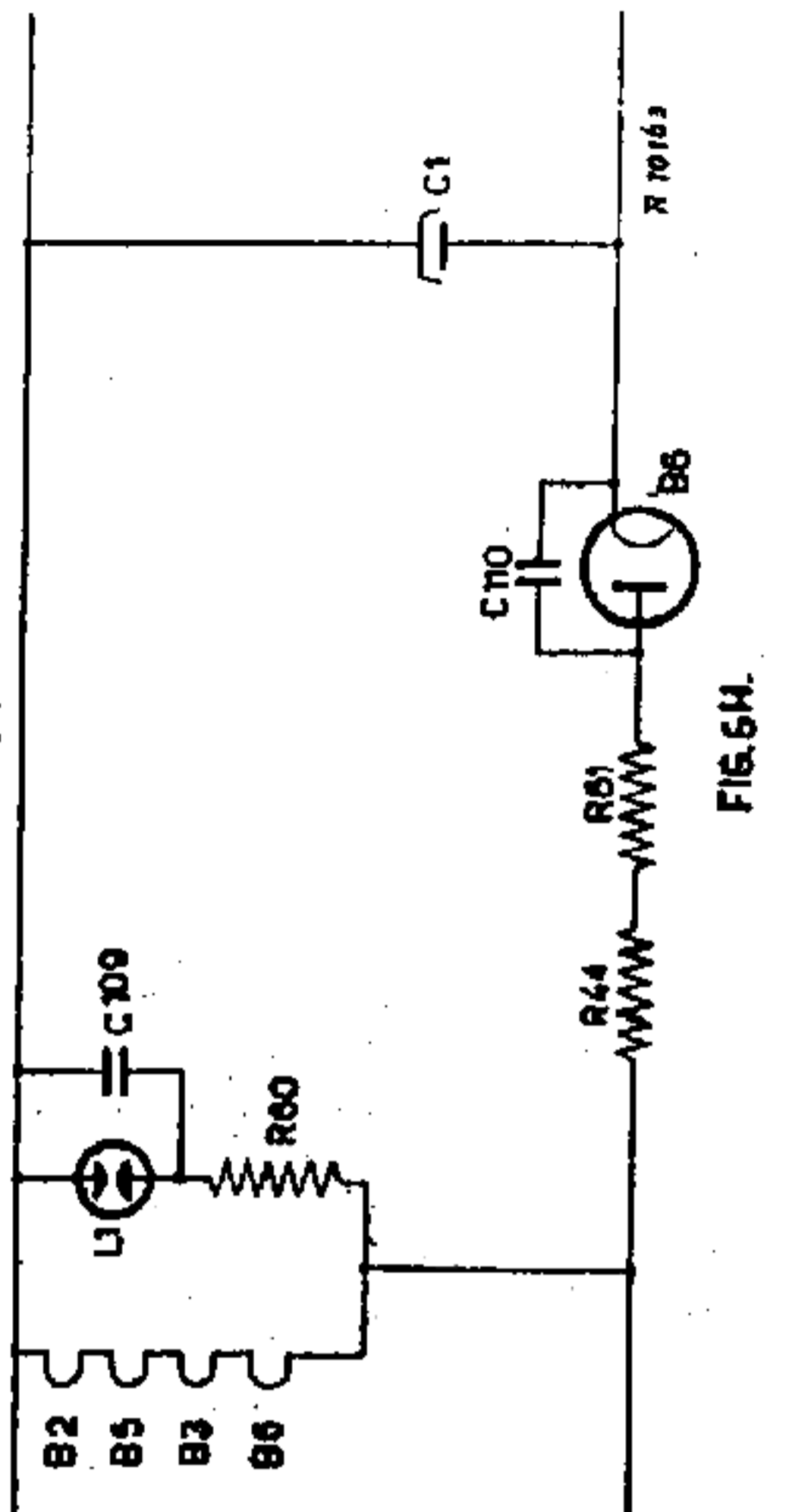
-47-

220V~ 220V



-47-

150V~



A: 957
K: 855

208U-10-46-47-48-49

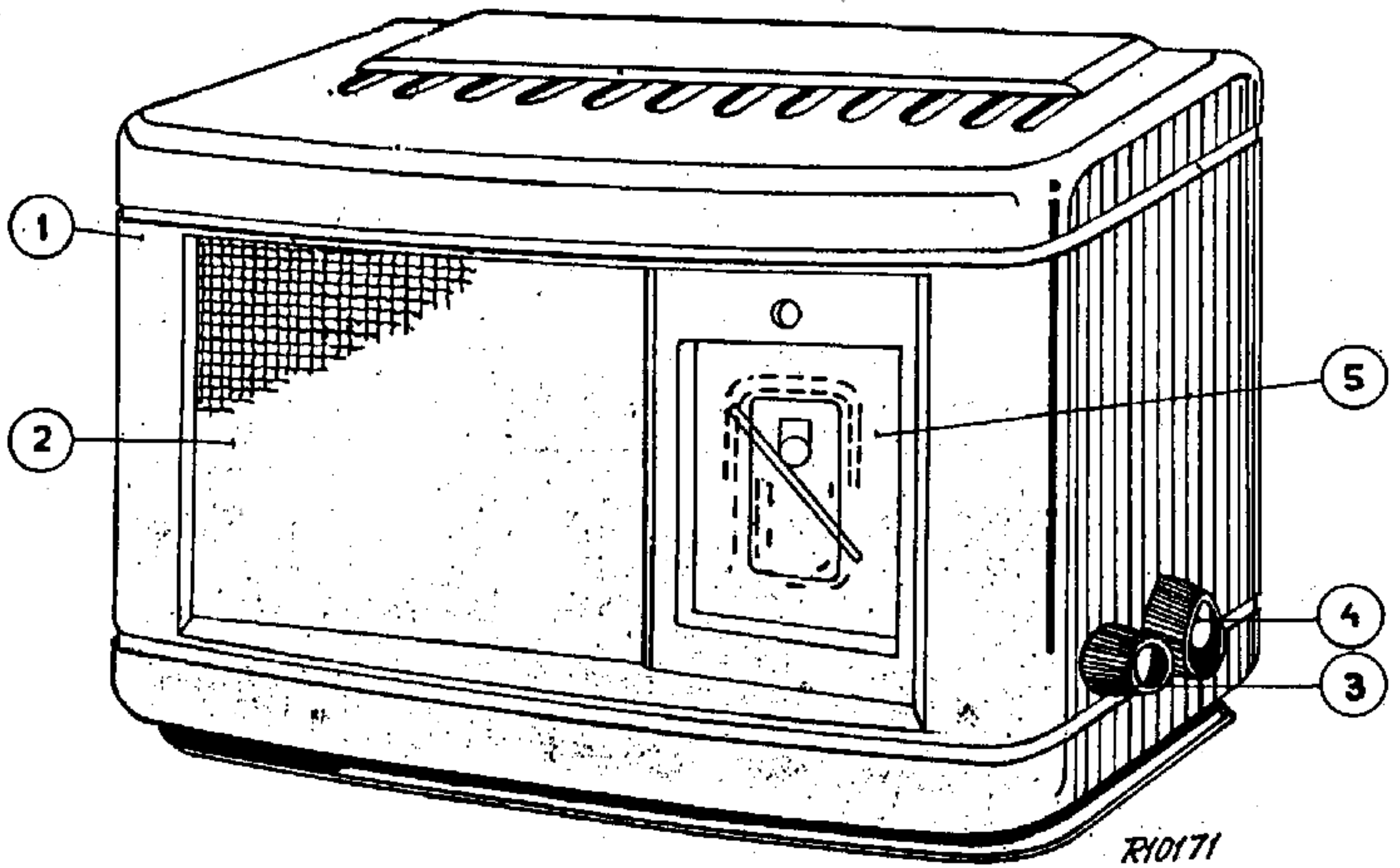


FIG. 7C.

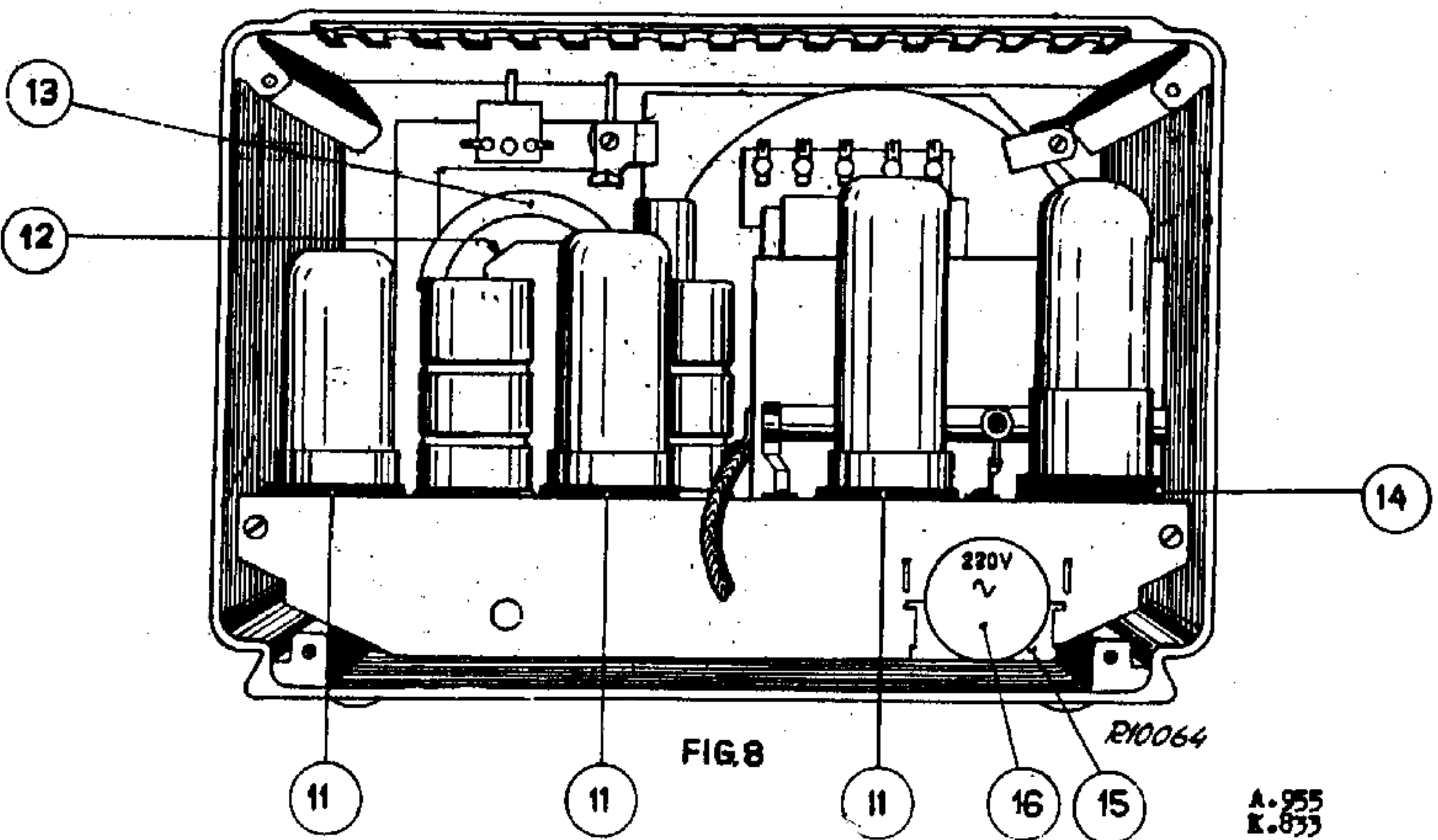


FIG. 8

A-955
K-833