

16,5-51 m (18,2-5,88 Mc/s)  
 196-570 m (1530-522 kc/s)  
 750-1910 m (400-157 kc/s)

9686 U-50 Z - 5 Ω  
 150 V, 220 V.

452 kc/s

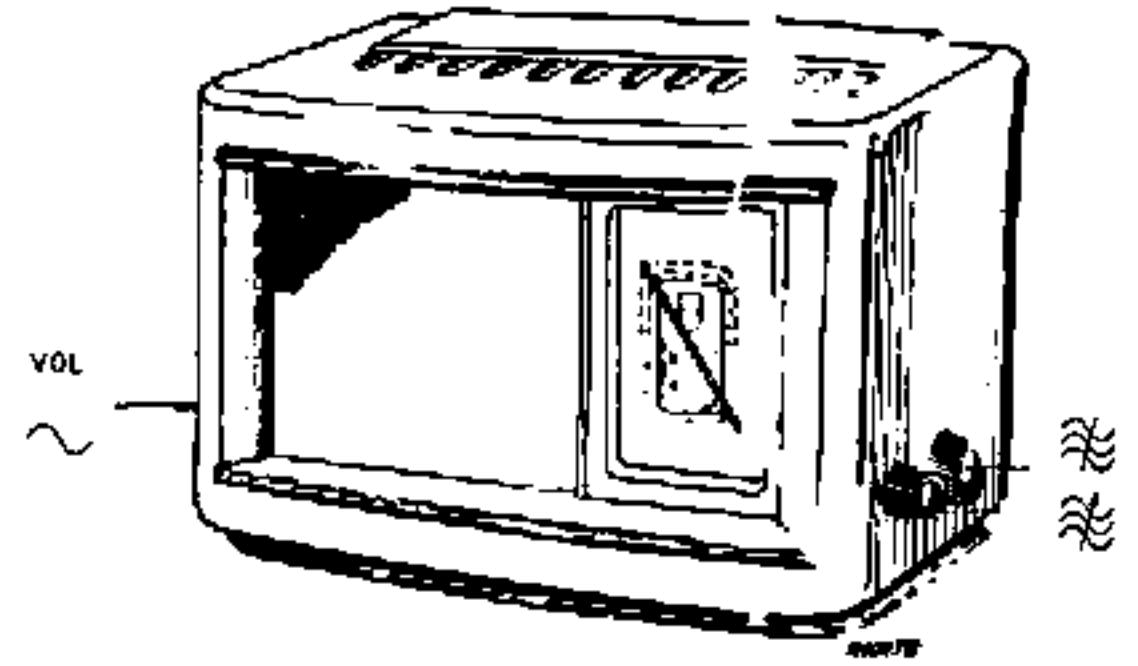
± 34 W.

	196-570 m	750-1910 m	16.5-51 m
VOL	max	max	max
	C6, C8 + 15°	1875 m (160 kc/s)	17,8 Mc/s - Y
	1450 kc/s - Y	160 kc/s - Y	C6, C8 17,8 Mc/s
	C38 max	C50 max	C14 max
	C18 max		

Ned. Ver. v. Historie v/d Radio

ARCHIEF  
DOCUMENTATIEDIENST  
NVHR

15° 09 992 50.0

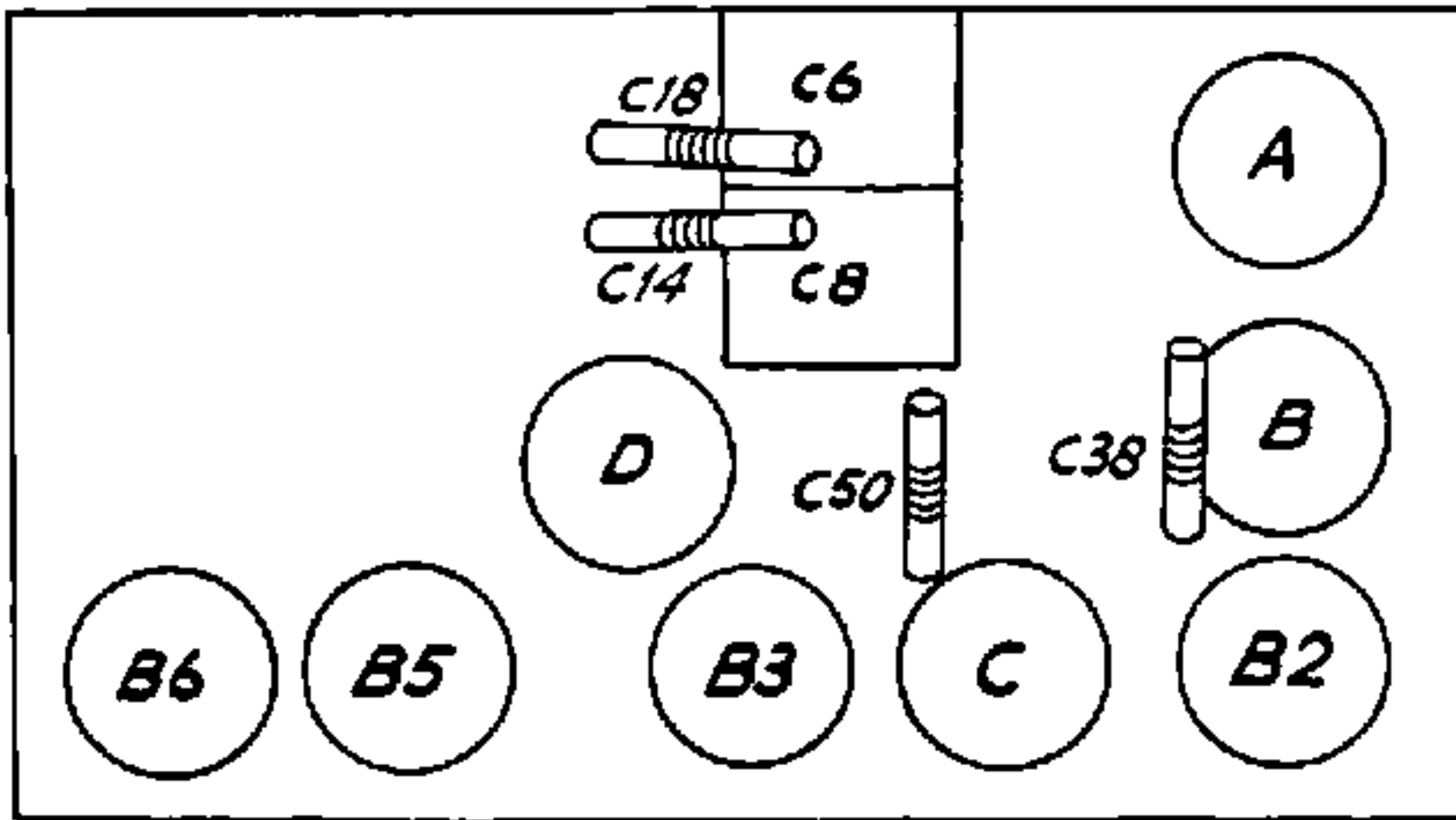


1943

R11	0,45 + 0,05M	49 500 23.0	C1	27 μF	49 021 03.0
R31	0,82 MΩ	48 557 10/820K	C2	2,5 μF	49 021 04.1
R32	10 KΩ	48 557 10/10K	C3	2,5 μF	49 021 04.1
R33	68 KΩ	48 557 10/68K	C6	11-400 pF	A9 863 99.0
R34	1,5 MΩ	48 557 10/1M5	C8	11-400 pF	
R35	6,8 MΩ	48 557 10/6M8	C14	32 pF	49 005 51.2
R36	0,68 MΩ	48 557 10/680K	C18	32 pF	49 005 51.2
R39	520 Ω		C19	39 pF	48 203 10/39E
R40	600 Ω		C20	22 pF	48 201 10/22E
R44	75 Ω	49 362 90.2	C38	32 pF	49 005 51.2
R45	580 Ω		C40	33 pF	48 203 10/33E
R42	5600 Ω	48 557 10/5K6	C48	395 pF	48 203 01/395E
R43	150 Ω	48 494 10/150E	C50	200 pF	49 005 53.2
R46	4700 Ω	48 557 10/4K7	C51	103 pF	
R61	100 Ω	48 467 10/100E	C52	103 pF	
R75	220Ω par	48 557 10/220E	C61	103 pF	
	270Ω = 120Ω	48 557 10/270E	C62	103 pF	
R81	47 KΩ	48 557 10/47K	C75	100 μF	48 313 22/100
R82	470 Ω	48 467 10/470E	C85	4700 pF	48 757 20/4K7
R100	10 KΩ	48 557 10/10K	C100	1000 pF	48 757 20/1K
			C101	100 pF	48 203 10/100E
			C102	470 pF	48 203 10/470E
			C103	82 pF	48 203 10/82E
			C104	47000 pF	48 751 10/47K
			C105	47000 pF	48 750 10/47K
			C106	6800 pF	48 751 10/6K8
			C107	100 pF	48 203 10/100E
			C108	68 pF	48 203 10/68E
			C110	22000 pF	48 758 20/22K
			C111	56 pF	48 203 10/56E
			C112	2,5 μF	49 021 04.1
			C120	0,1 μF	48 751 10/100K

S13, S14, S17, S18	A1 037 48.0*	S61, S62, S63, S64, C61, C62	{ A1 037 12.4*
S19, S20	A1 002 07.1	S71	A1 001 82.4*
S33, S34, S37, S38, S100	{ A1 038 83.1*	S76	49 981 13.1
S39, S40	A1 002 08.0*	S81, S82	A1 081 82.0*
S51, S52, S53, S54, C51, C52	{ A1 037 13.0*		

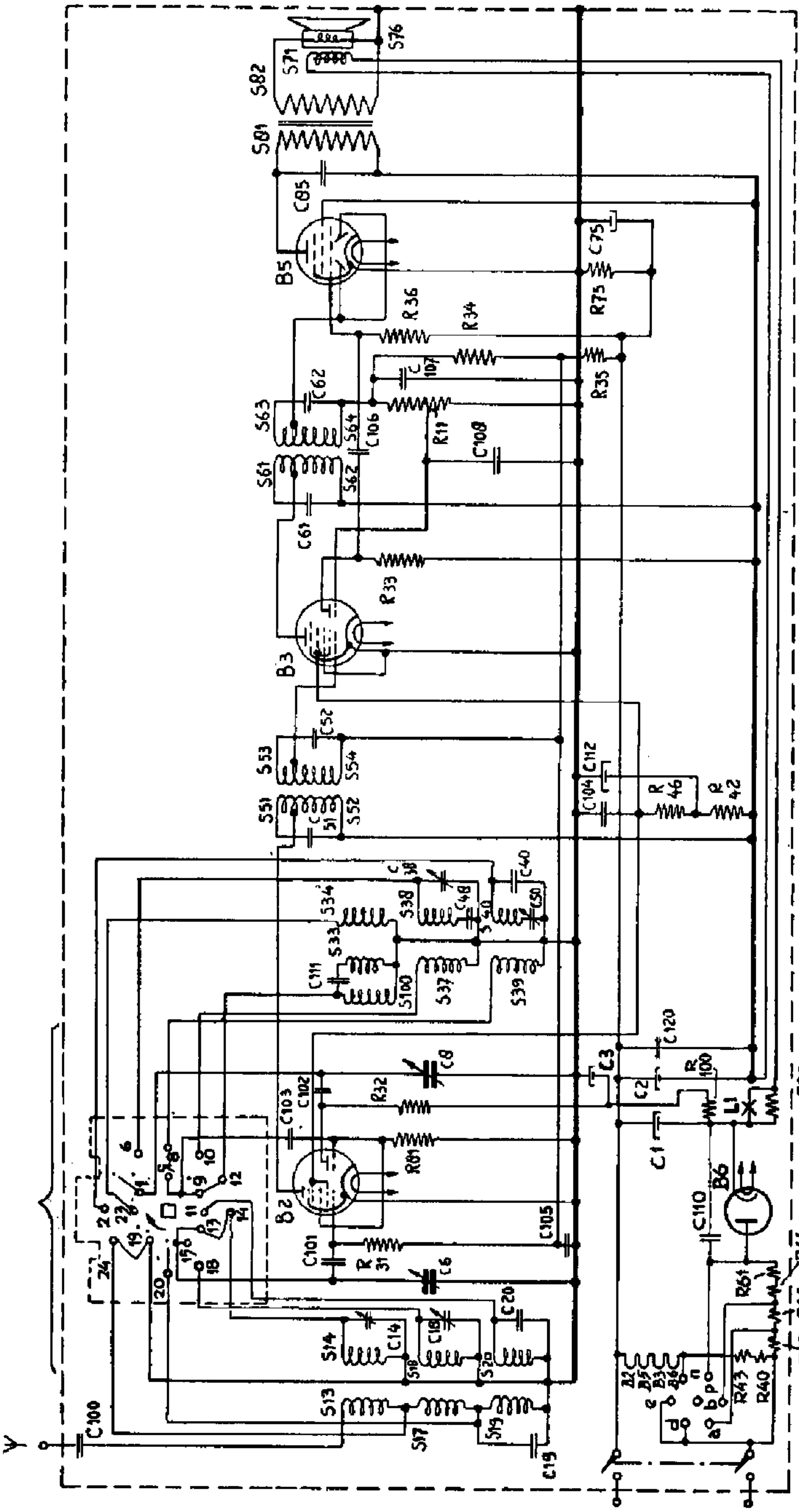


R14116

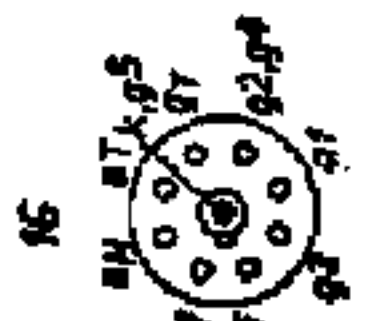
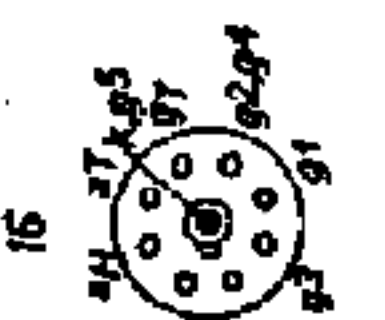
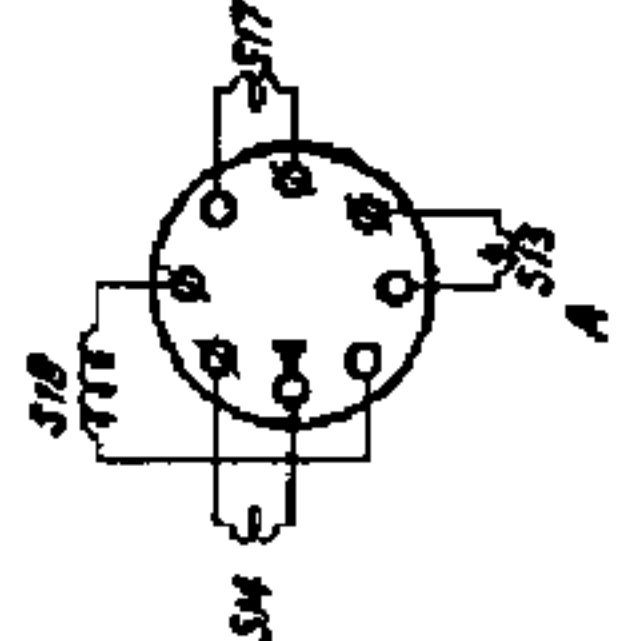
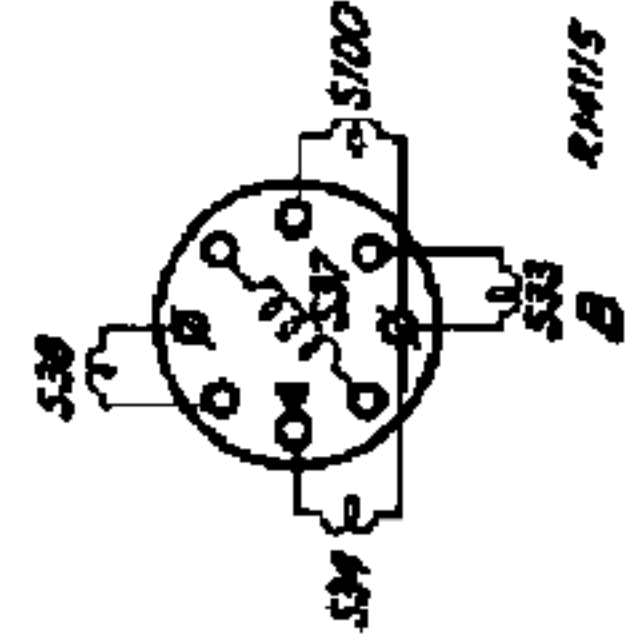
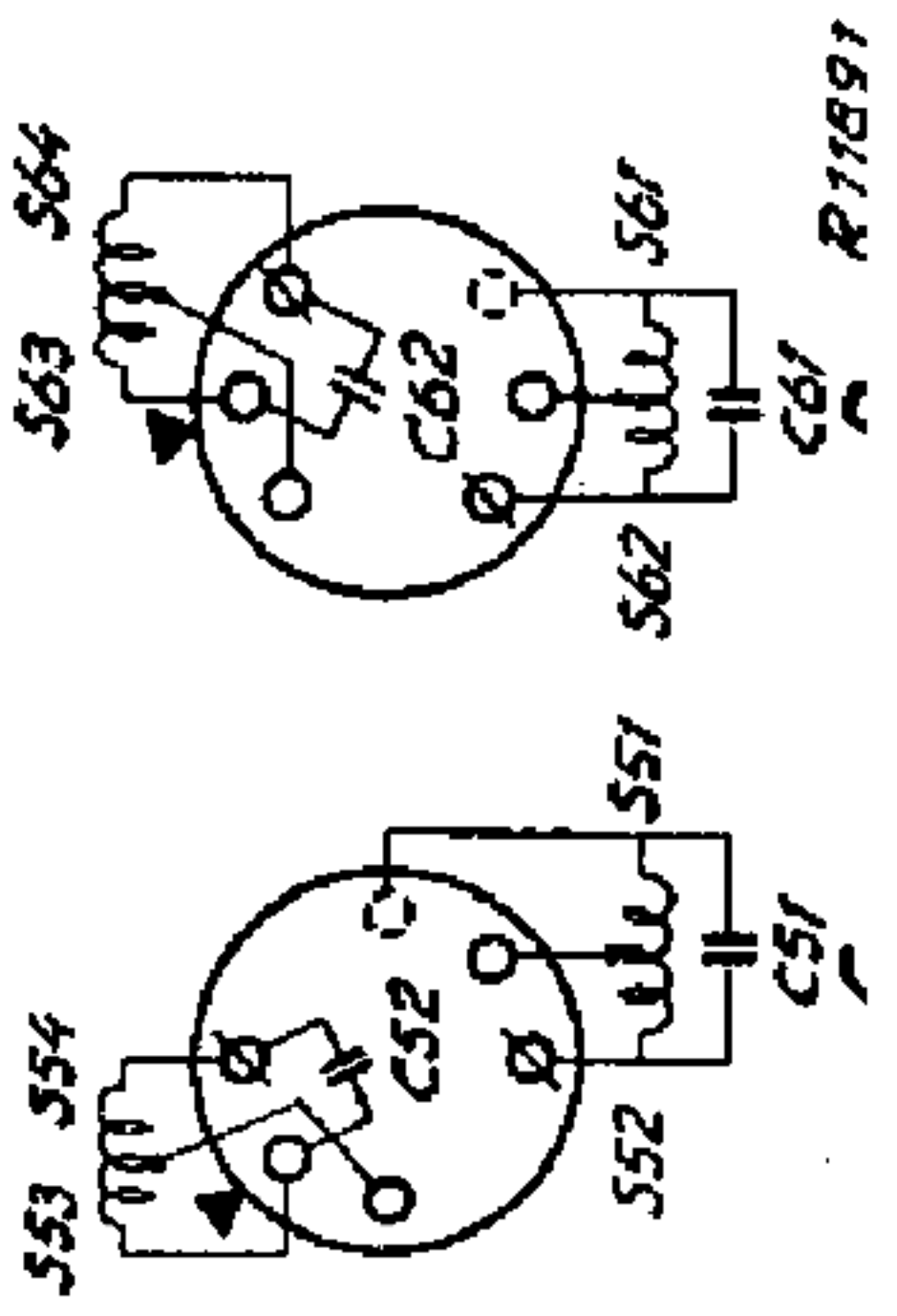
	B2	B3	B5	B6	
	UCH 21	UCH 21	UBL 21	UYIN	
Va	aT = 80 aH = 110	aT = 25 aH = 110	105	-	V
Vg2(4)	70	70	115	-	V
Vk	0	0	6	-	V
Ia	aT = 2,8 aH = 1,3	aT = 1,3 aH = 1,9	35	-	mA
Ig2(4)	2,6	1,3	5,6	-	mA

VC1 = 145 V, VC2 = 115 V, VC3 = 120 V, VC75 = 6 V, VS71 = 30 V, IS71 = 54mA.

93 953.17.1

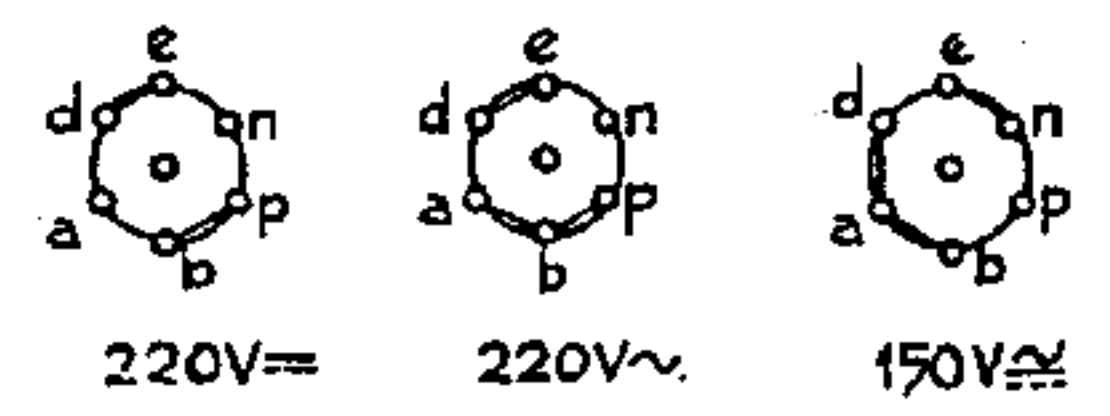


R10156

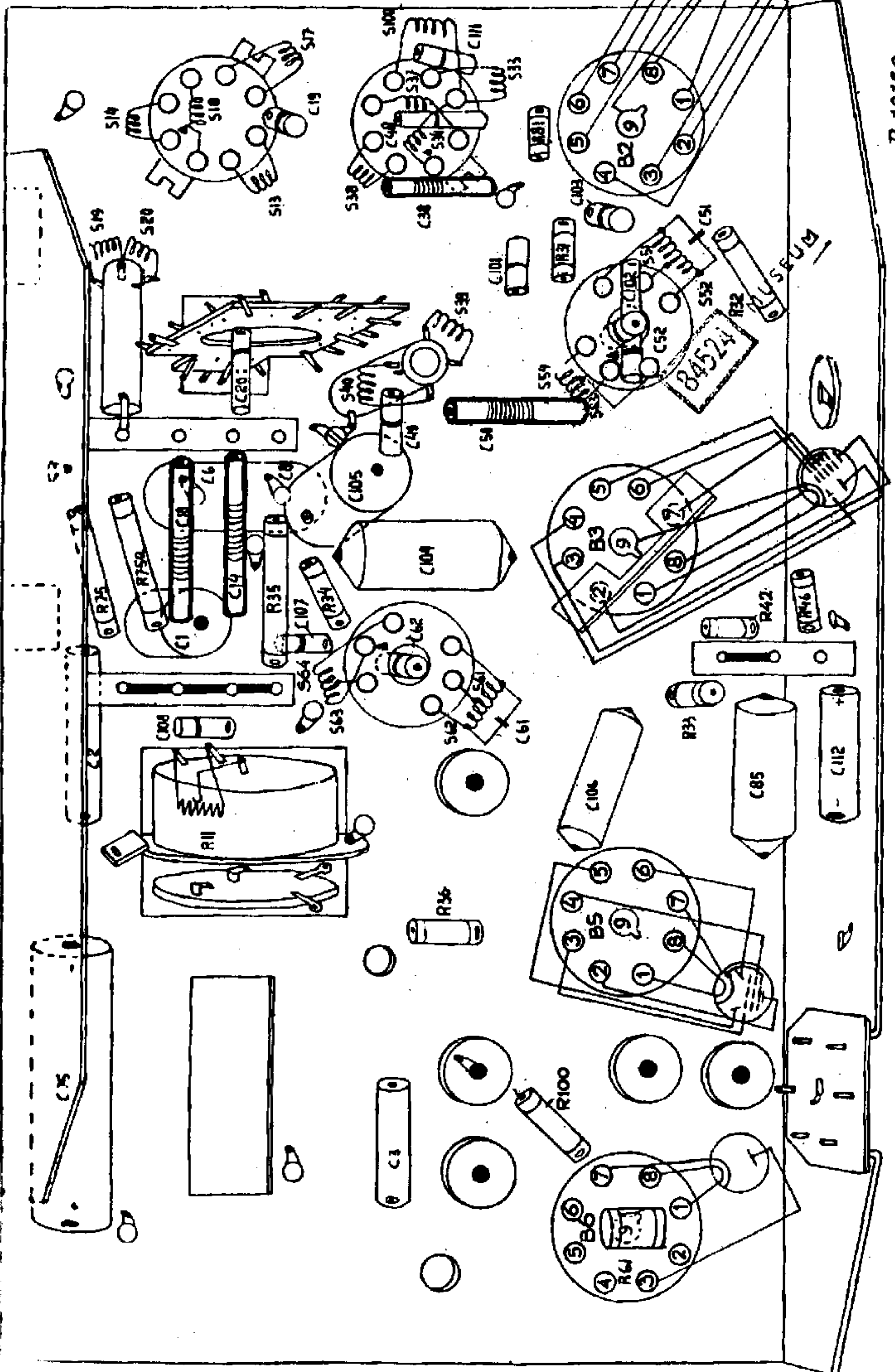


UCH 21 UCH 21 UBL 21 UYIN

B 2 B 3 B 5 B 6



208U-37



R 10159

A.954  
K.853

FIG2D

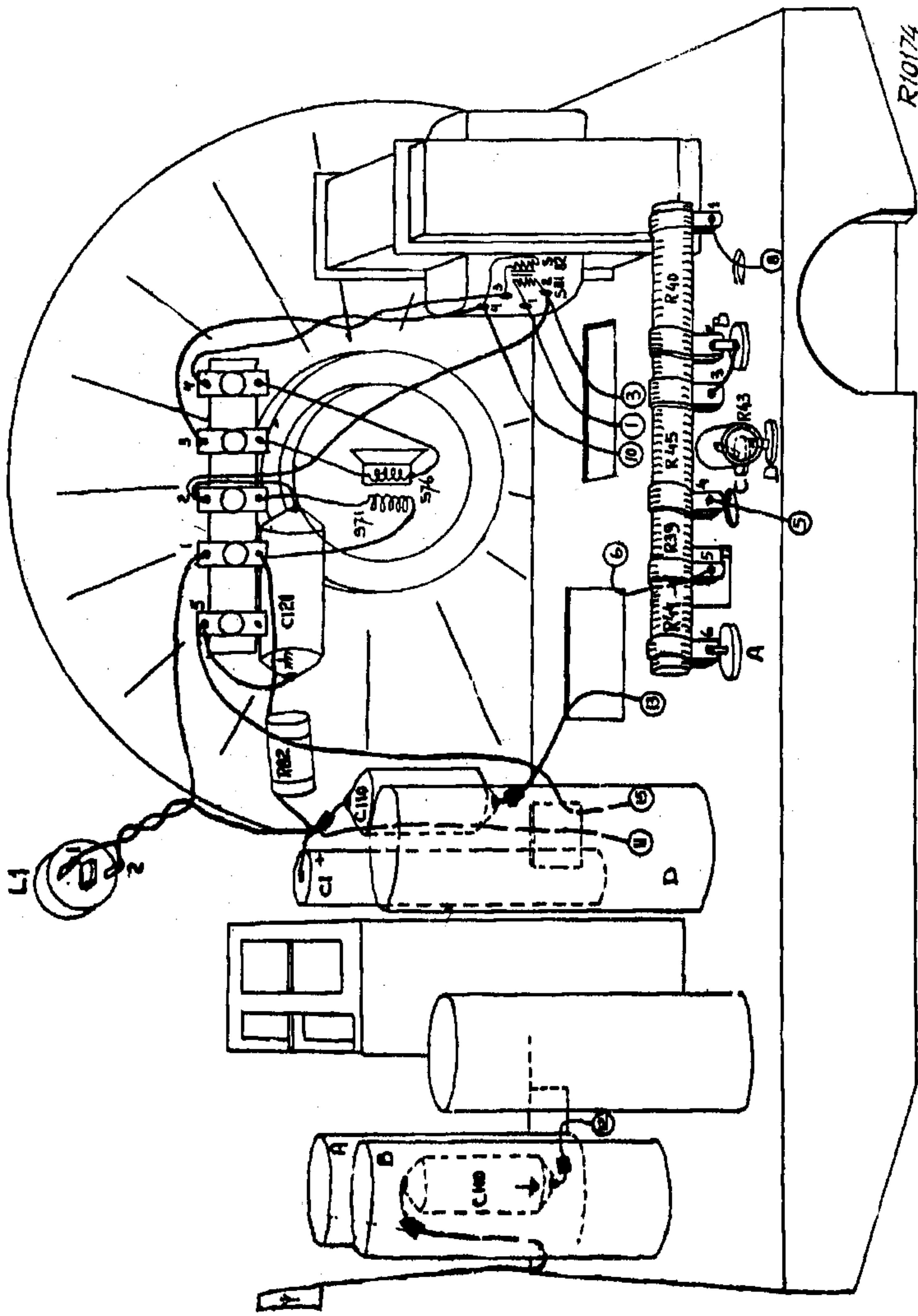
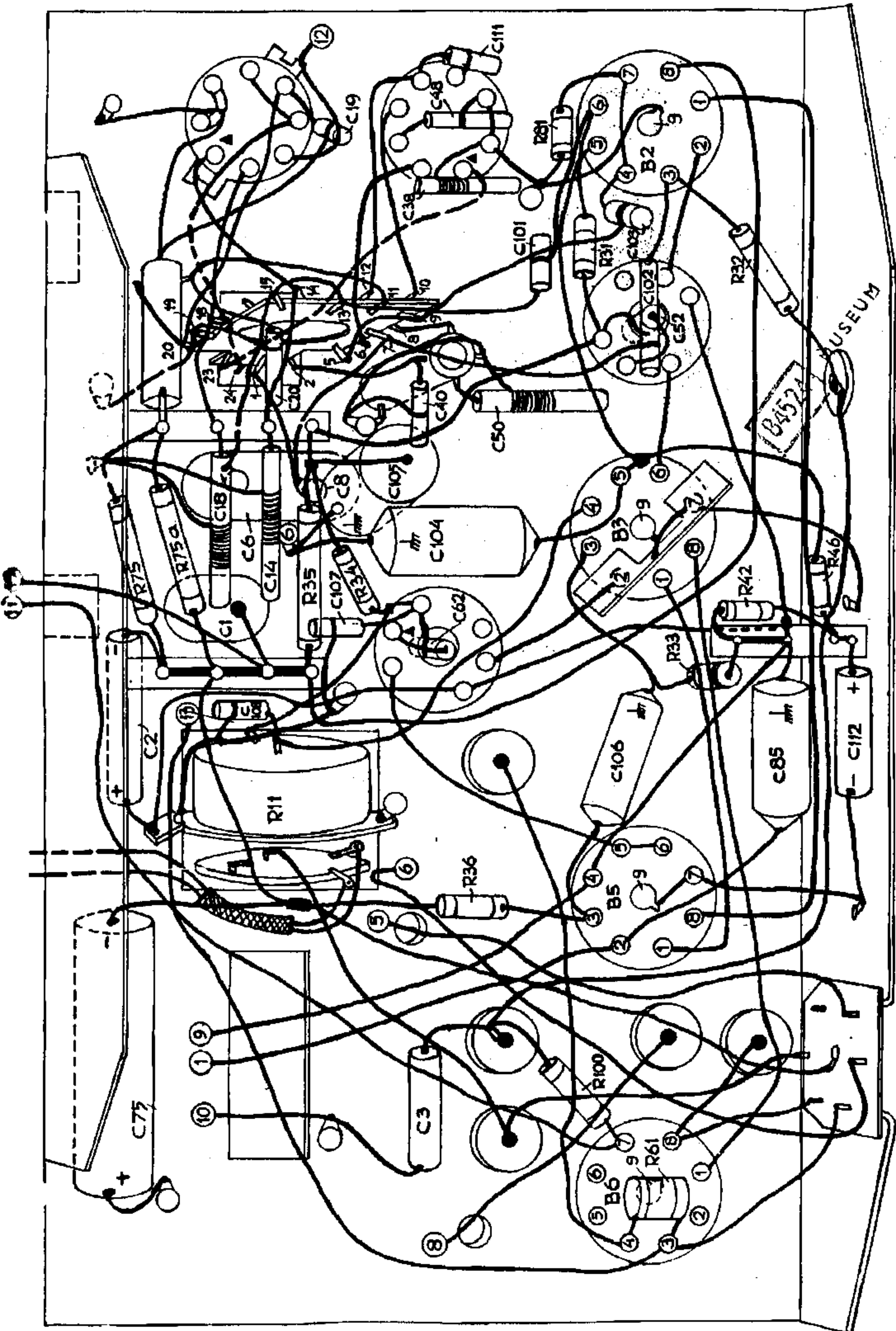


FIG. 3D



R 10161

A-953  
L-853

FIG. 4D.

-07-37-

150V $\sim$

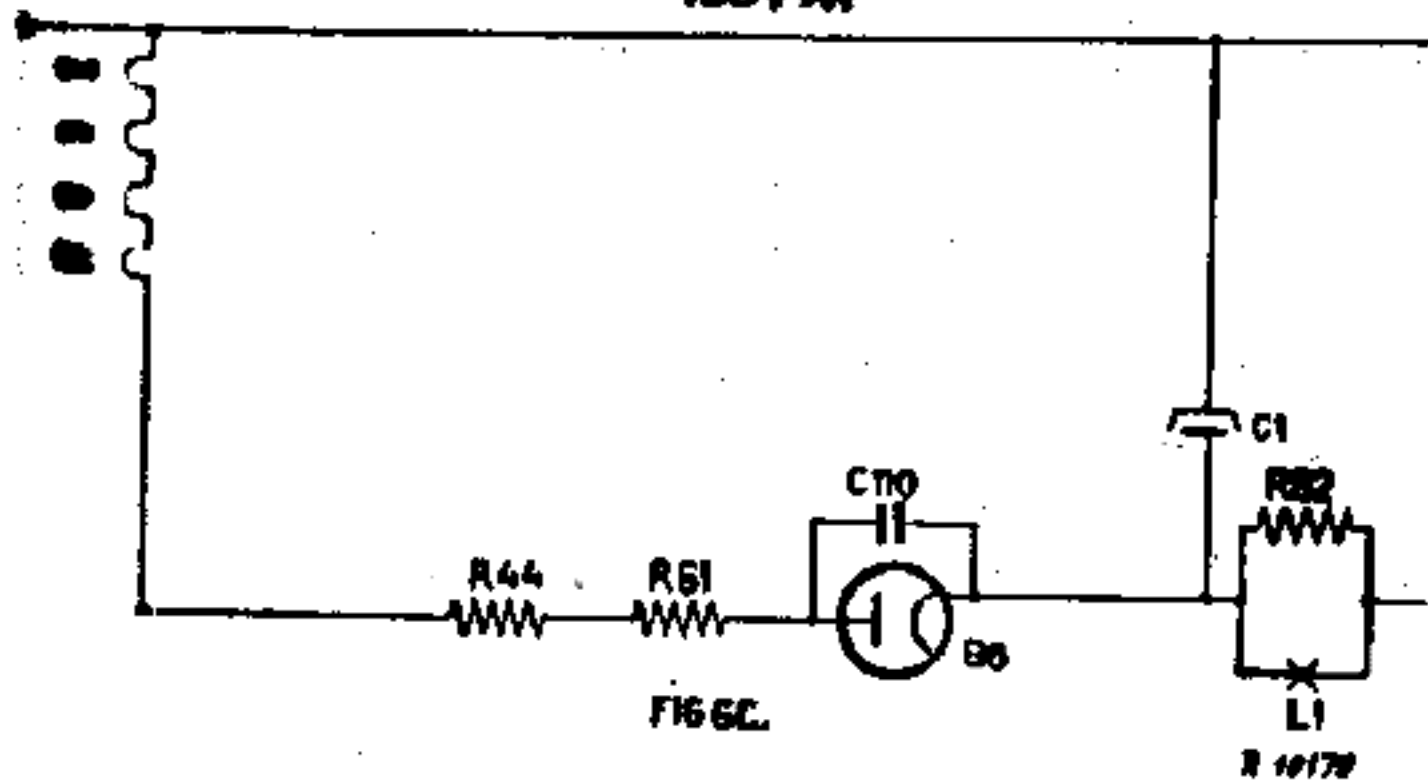


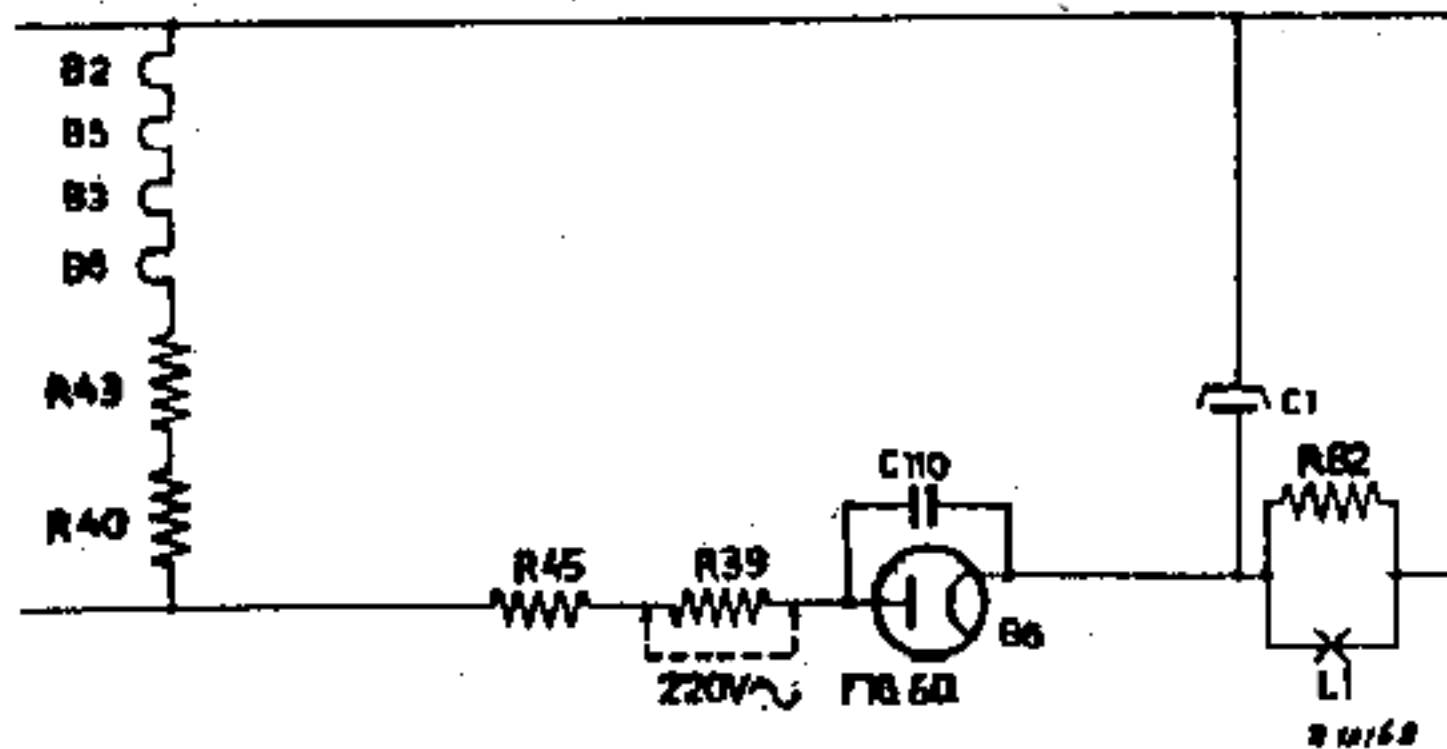
FIG. 6C.

R 10170

A.956  
K.833

-07-37-

220V $\sim$  220V $\sim$



220V $\sim$  FIG. 6D

R 10160

208U-01-19-37-40

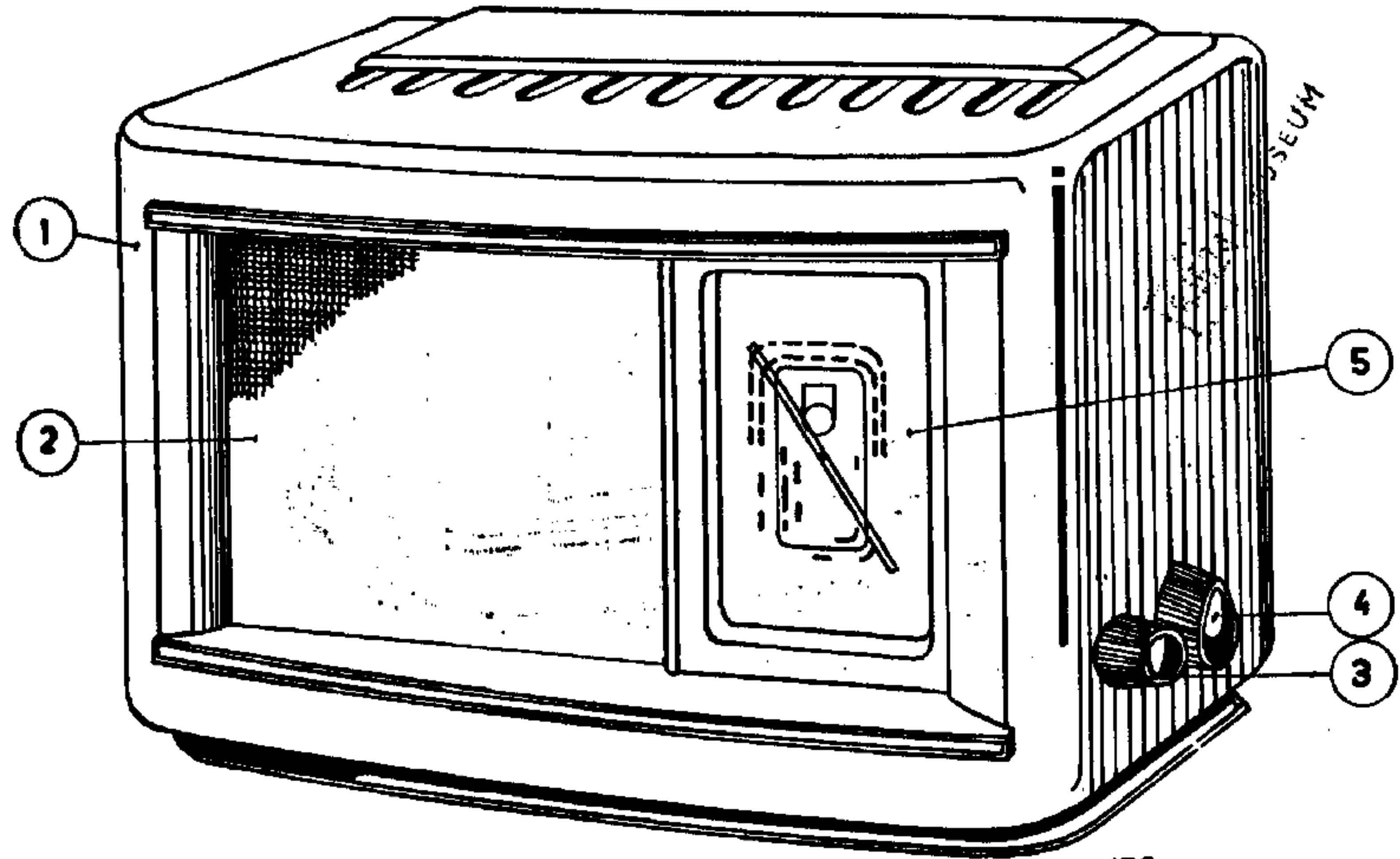


FIG. 7A.

R10172