

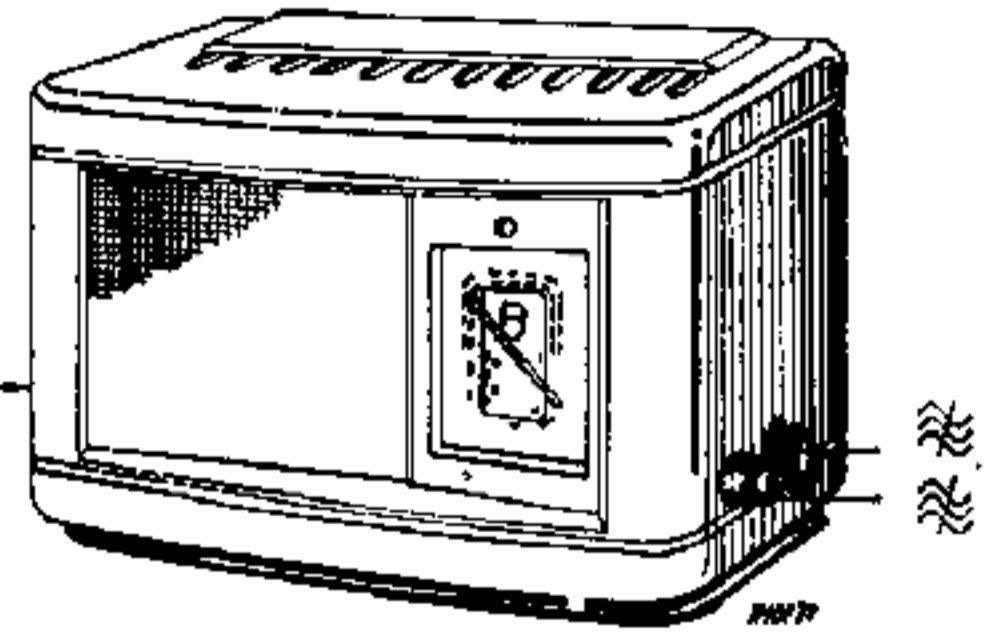
PHILIPS SERVICE

208 U-10-46-48

16,5-51 m (18,2-5,88 Mc/s)
 196-570 m (1530-522 kc/s)
 750-1910 m (400-157 kc/s)

9686 U-80 Z = 8 Ω
 110 V, 125 V, 220 V.

452 kc/s +34 W.

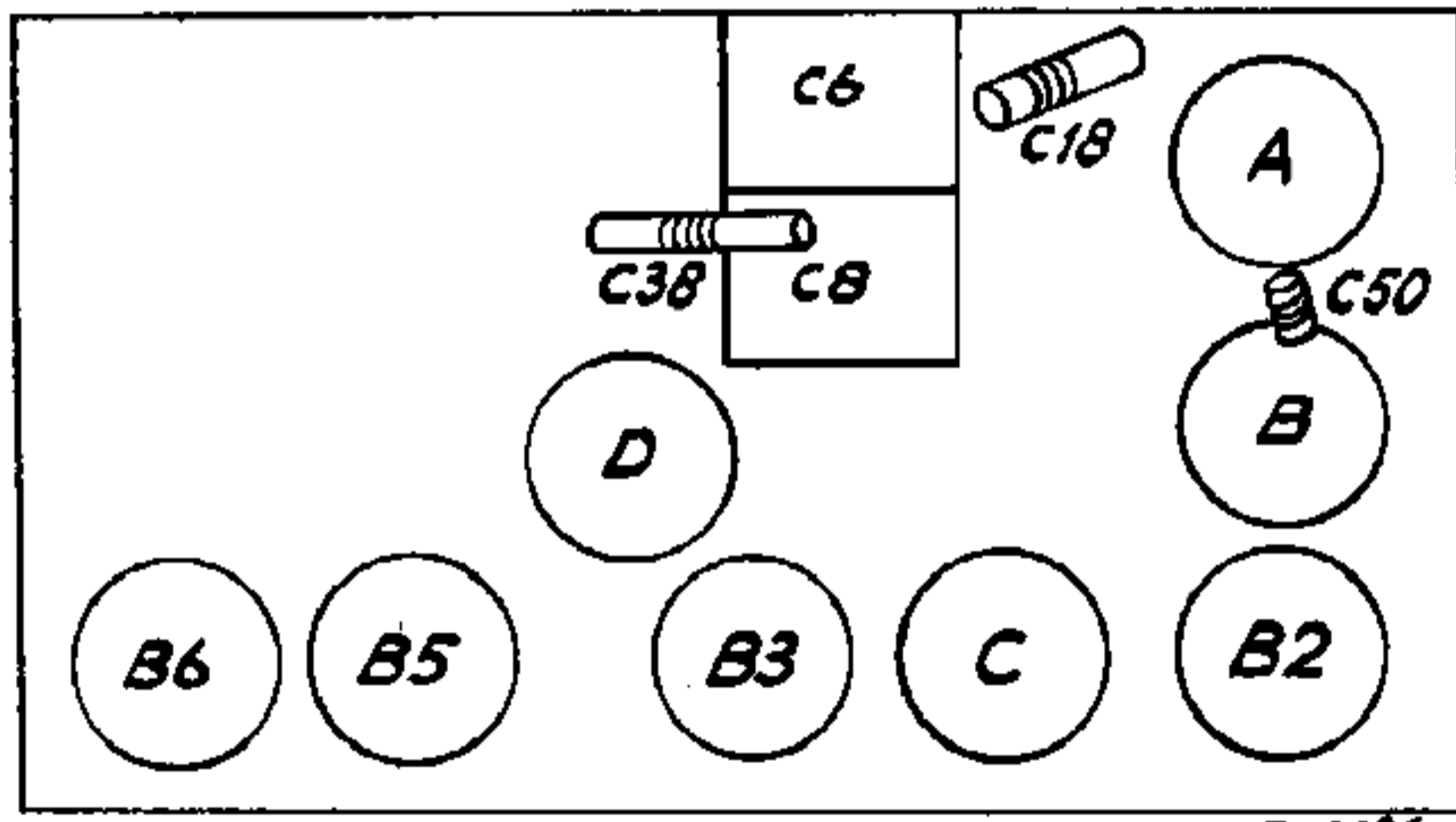


1943

	196-570 m	III	750-1910 m	III	
VOL	max		max		
	C6, C8 + 18°		1875 m (160 kc/s)		
	1500 kc/s — Y		160 kc/s — Y		
	C38 max		C50 max		
	C18 max				

15° 09 992 50.0

R11	0,45 + 0,05M	49 500 23.0	C1	27 μF	49 021 03.0
R31	0,82 MΩ	48 557 10/320K	C2	2 x 2,5 μF	49 021 04.0
R32	10 KΩ	48 557 10/10K	C6	11.400 pF	A9 863 99.0
R33	68 KΩ	48 557 10/68K	C8	11.400 pF	48 201 10/10E
R34	1,5 MΩ	48 557 10/1M5	C14	10 pF	49 005 51.2
R35	4,8 MΩ	48 557 10/6M8	C18	32 pF	48 203 10/39E
R36	0,48 MΩ	48 557 10/600K	C19	29 pF	48 201 1 E
R39	520 Ω		C20	12 pF	49 005 5
R40	600 Ω	49 362 90.2	C32	32 pF	48 201 05/22E
R44	75 Ω		C40	22 pF	48 203 01/202E
R45	500 Ω		C48	302,5 pF	49 005 52.2
R41	27 KΩ	48 557 10/27K	C50	125 pF	—
R42	5600 Ω	48 557 10/5K6	C51	103 pF	—
R43	150 Ω	48 494 10/150E	C52	103 pF	—
R46	4700 Ω	48 557 10/4K7	C61	103 pF	—
R47	56 KΩ	48 557 10/56K	C62	103 pF	—
R75	220Ω par 270Ω = 120Ω	48 557 10/220E 48 557 10/270E	C75	100 μF	48 313 22/100
R81	47 KΩ	48 557 10/47K	C85	4700 pF	48 757 20/4K7
			C100	1000 pF	48 757 20/1K
			C101	100 pF	48 203 10/100E
			C102	470 pF	48 203 10/470E
			C103	47 pF	48 203 10/47E
			C104	47000 pF	48 751 10/47K
			C105	47000 pF	48 750 10/47K
			C106	6300 pF	48 751 10/63K8
			C107	100 pF	48 203 10/100E
			C108	63 pF	48 203 10/63E
			C109	1000 pF	48 751 20/1K
			C110	22000 pF	48 758 20/22K
			C112	2,5 μF	49 021 04.1
			C120	0,1 μF	48 751 10/100K



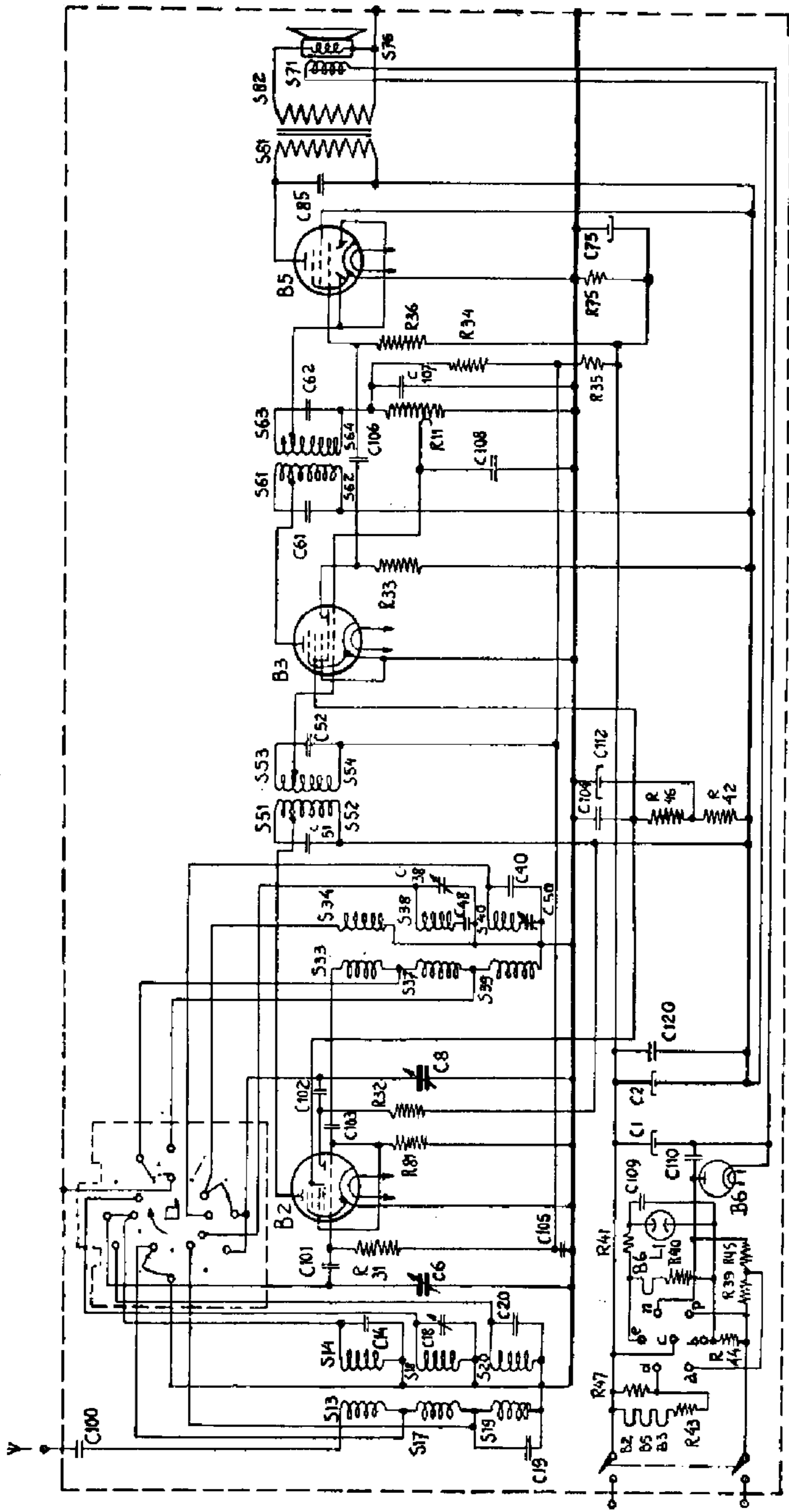
RM121

	B2	B3	B5	B6	
	UCH 81	UCH 21	UBL 21	UYIN	
Va	aT= 80 aH= 110	aT= 25 aH= 110	105	—	V
Vg2(4)	70	70	115	—	V
Vk	0	0	0	—	V
Ia	aT= 2,8 aH= 1,3	aT= 1,3 aH= 1,9	35	—	mA
Ig2(4)	2,6	1,3	5,6	—	mA

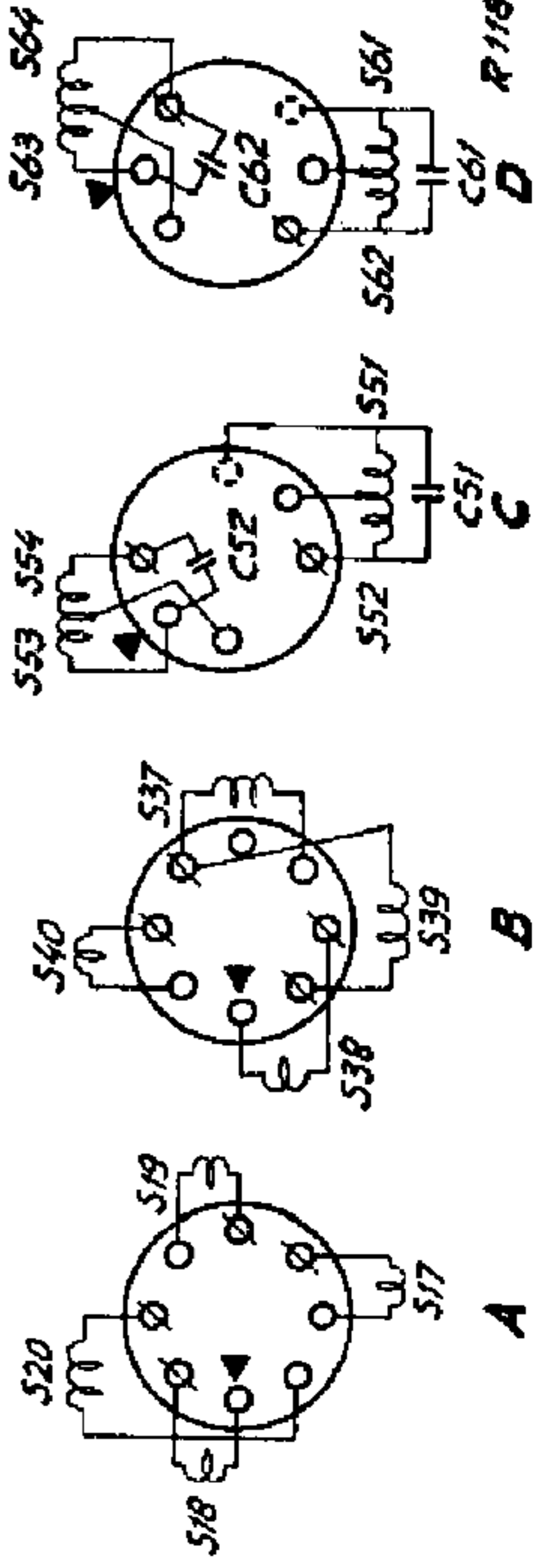
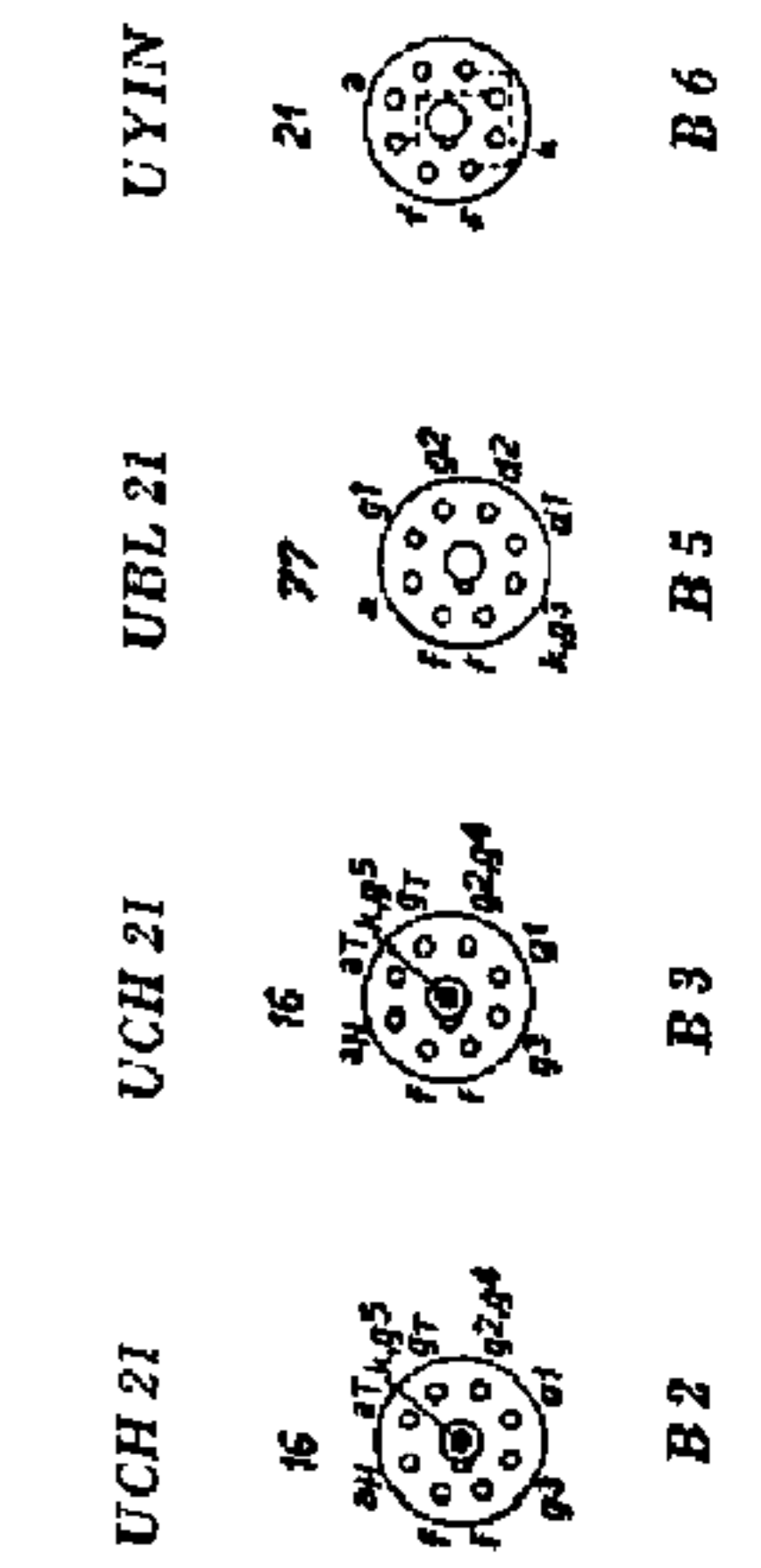
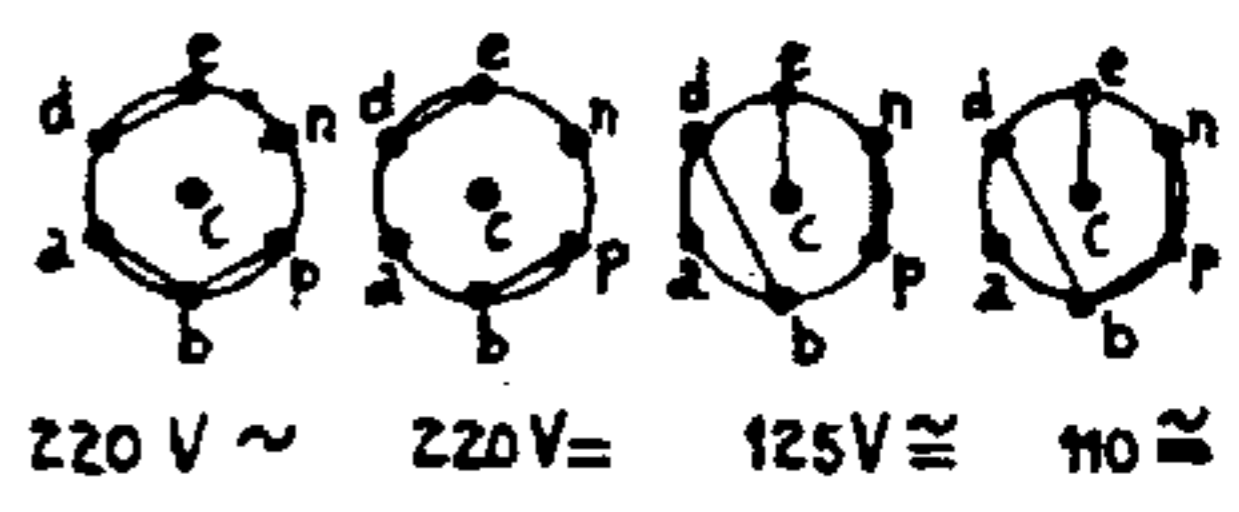
VC1 = 145 V, VC2 = 115 V, VC3 = 120 V, VC75 = 6 V, VS71 = 80 V, IS71 = 54mA.

S13, S14	A1 001 95.1*	S61, S62, S63, S64, C61, C62	{ A1 037 12.4*
S17, S18, S19, S20	A1 037 11.0*	S71	A1 001 87.4*
S33, S34	A1 001 74.4*	S76	49 981 13.1
S37, S38, S39, S40	A1 037 10.0*	S81, S82	A1 081 82.0*
S51, S52, S53, S54, C51, C52	{ A1 037 13.0*		

93953.16.2



R10044



R11891

61-64

14, 33, 34, 51-54, 13, 17-20, 37-40

75, 109

85, 108, 106, 110, 2A, 107, 1, 61, 62, 112, 2b, 104, 14, 105, 38, 6, 8, 51, 52, 40, 120, 18, 101, 102, 103, 20, 19, 50, 48

41

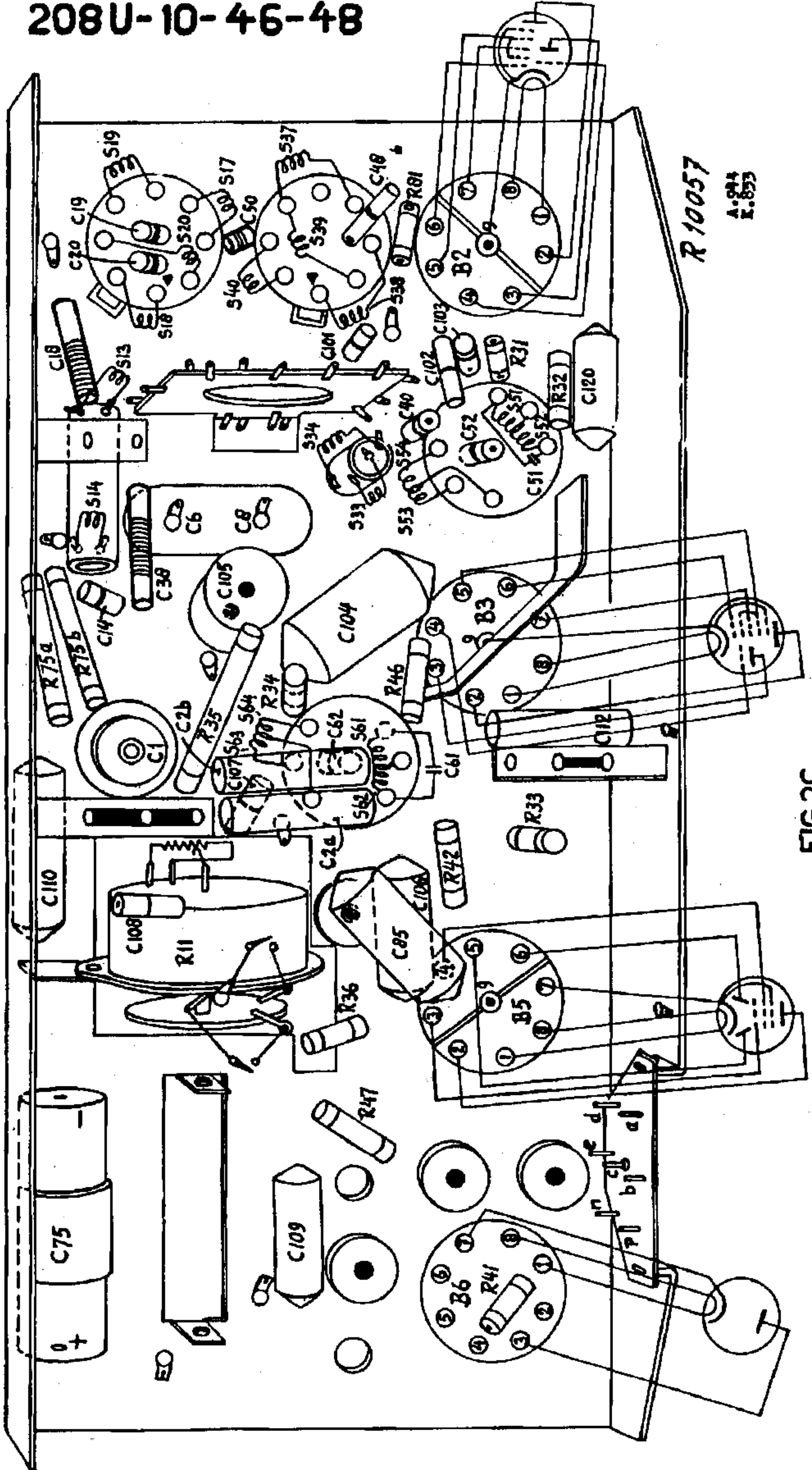
36 H

33

35, 34, 46, 75a, 75b

32, 31

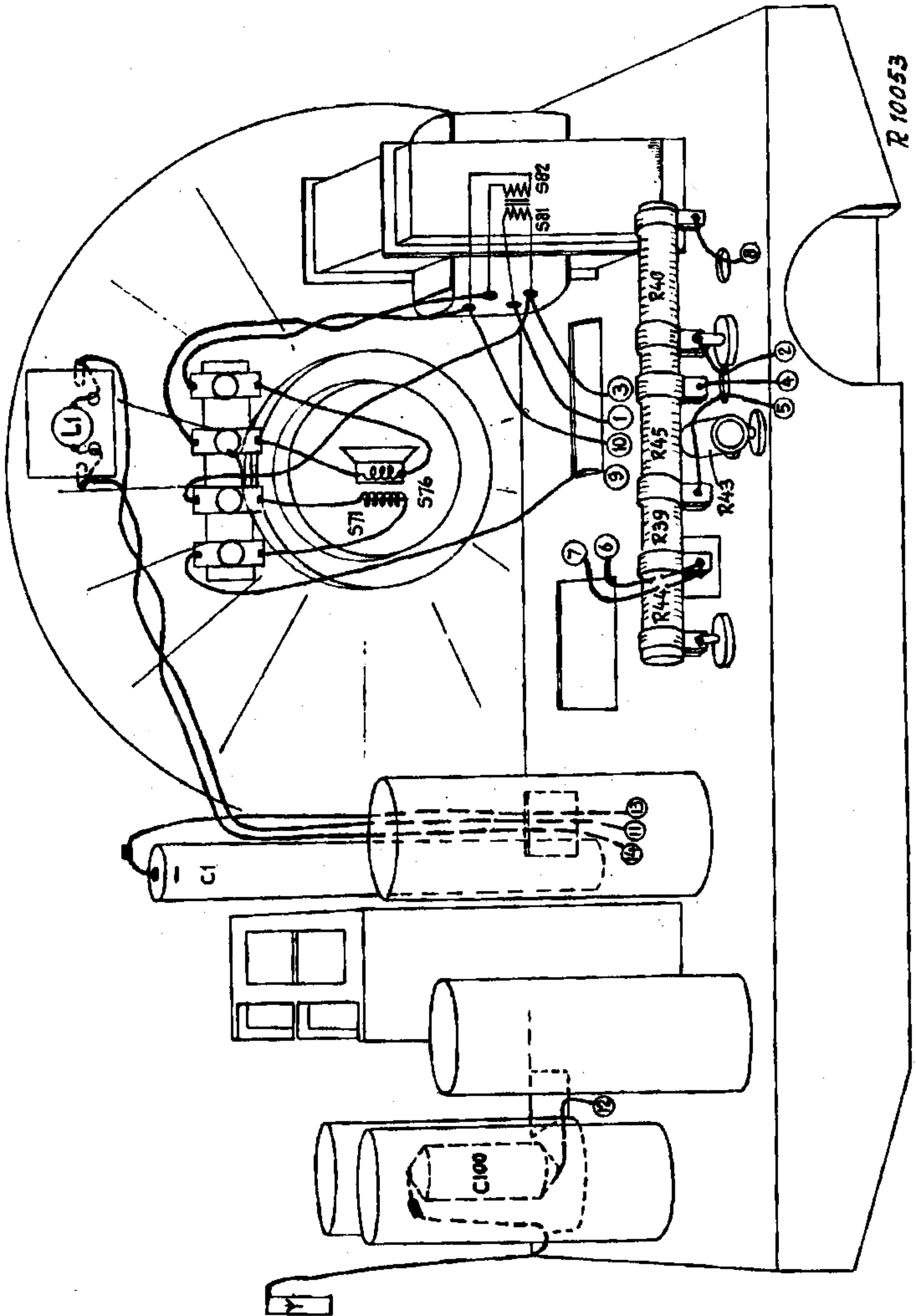
81



R 10057

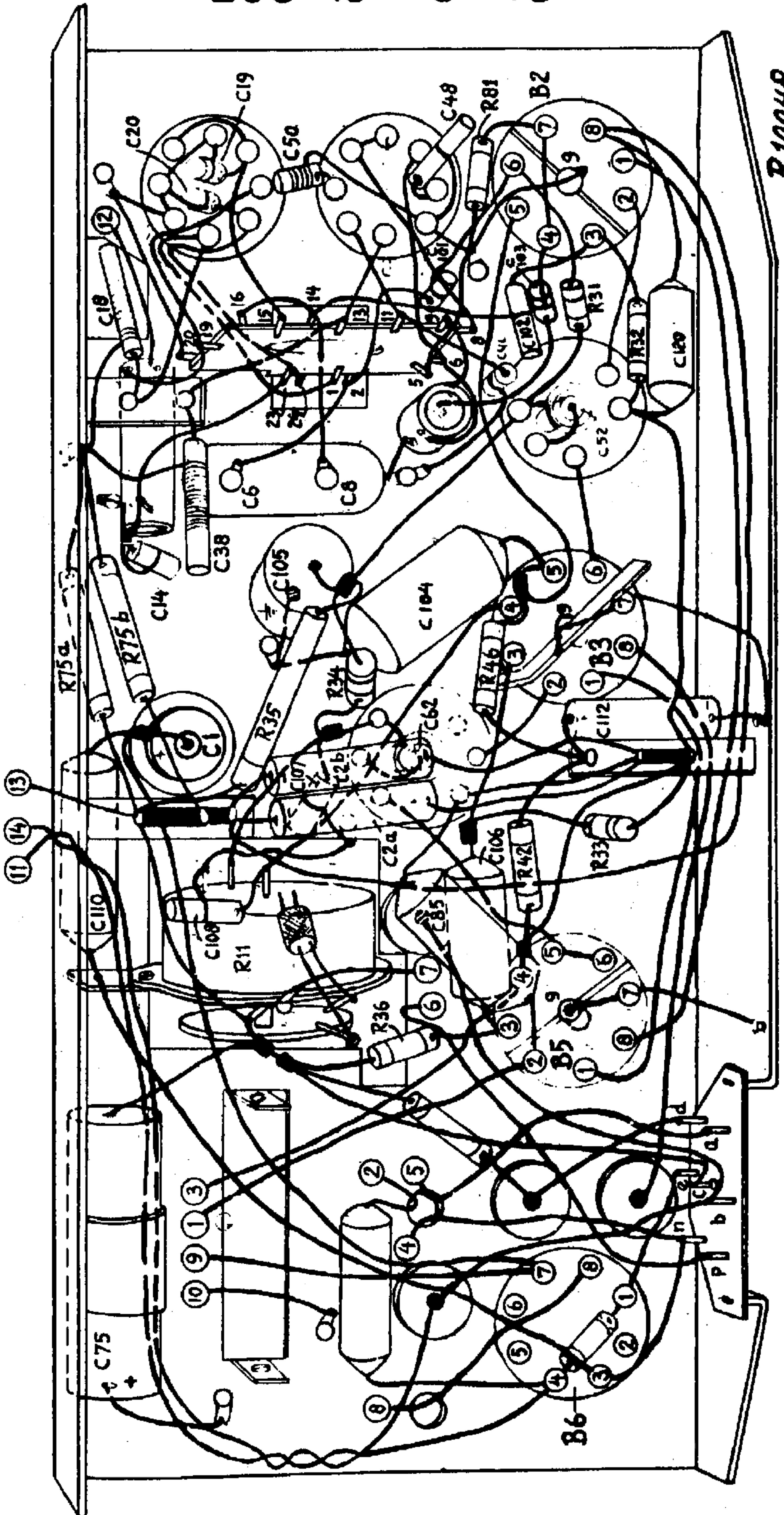
A: 894
K: 853

FIG 2C



A-923
K-833

FIG. 3C.



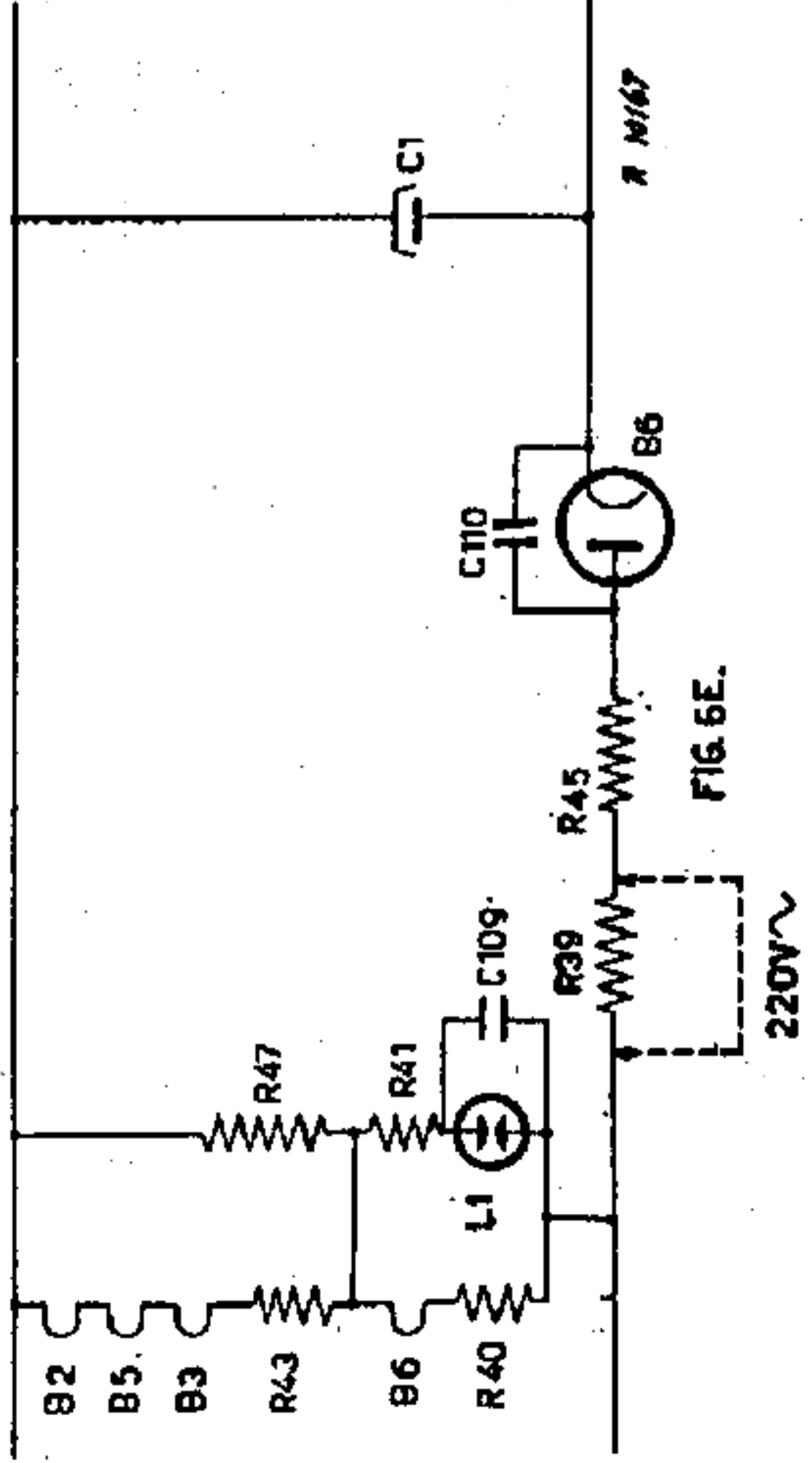
R10048

FIG. 4C.

A. 925
K. 873

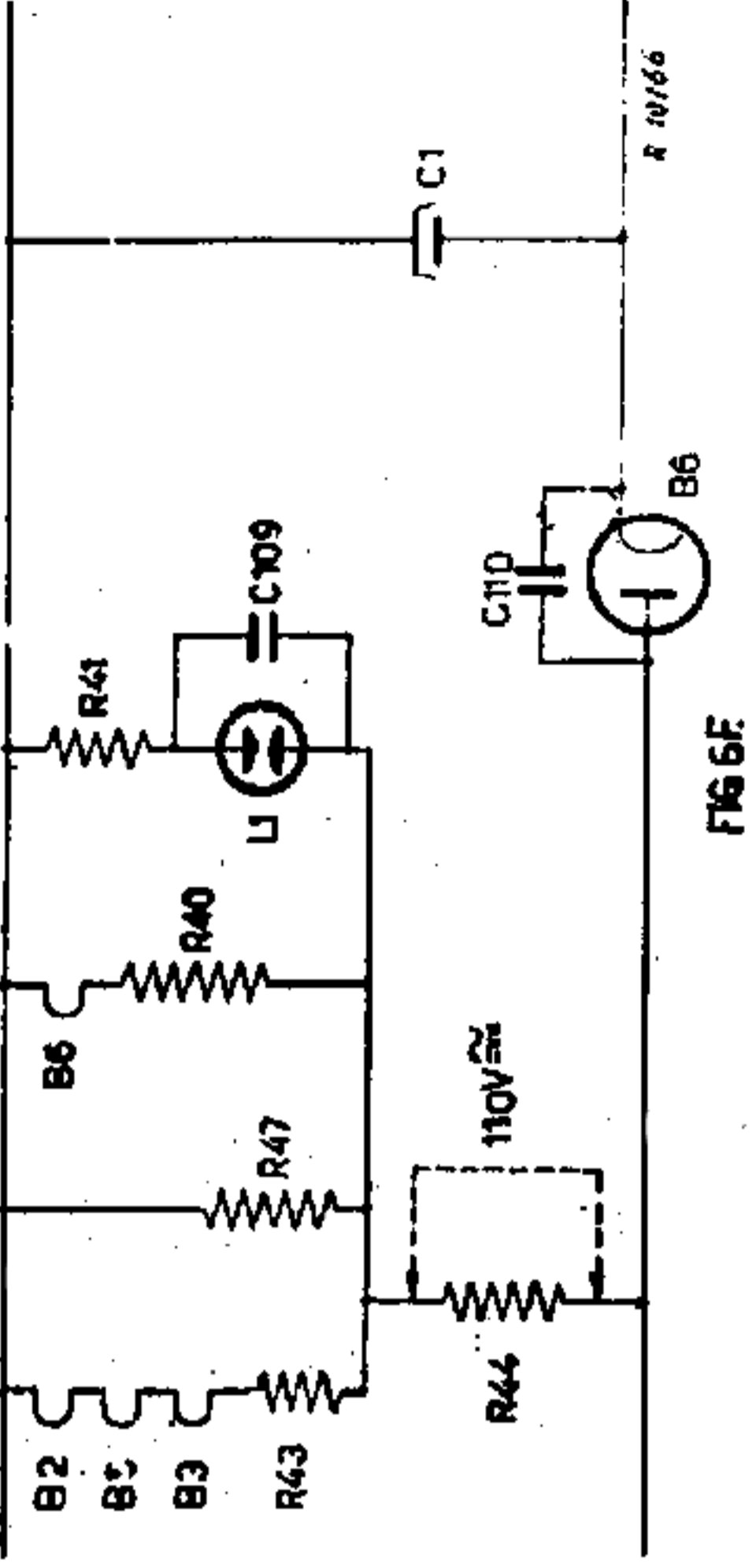
-10-46-48-49-

220V~ 220V



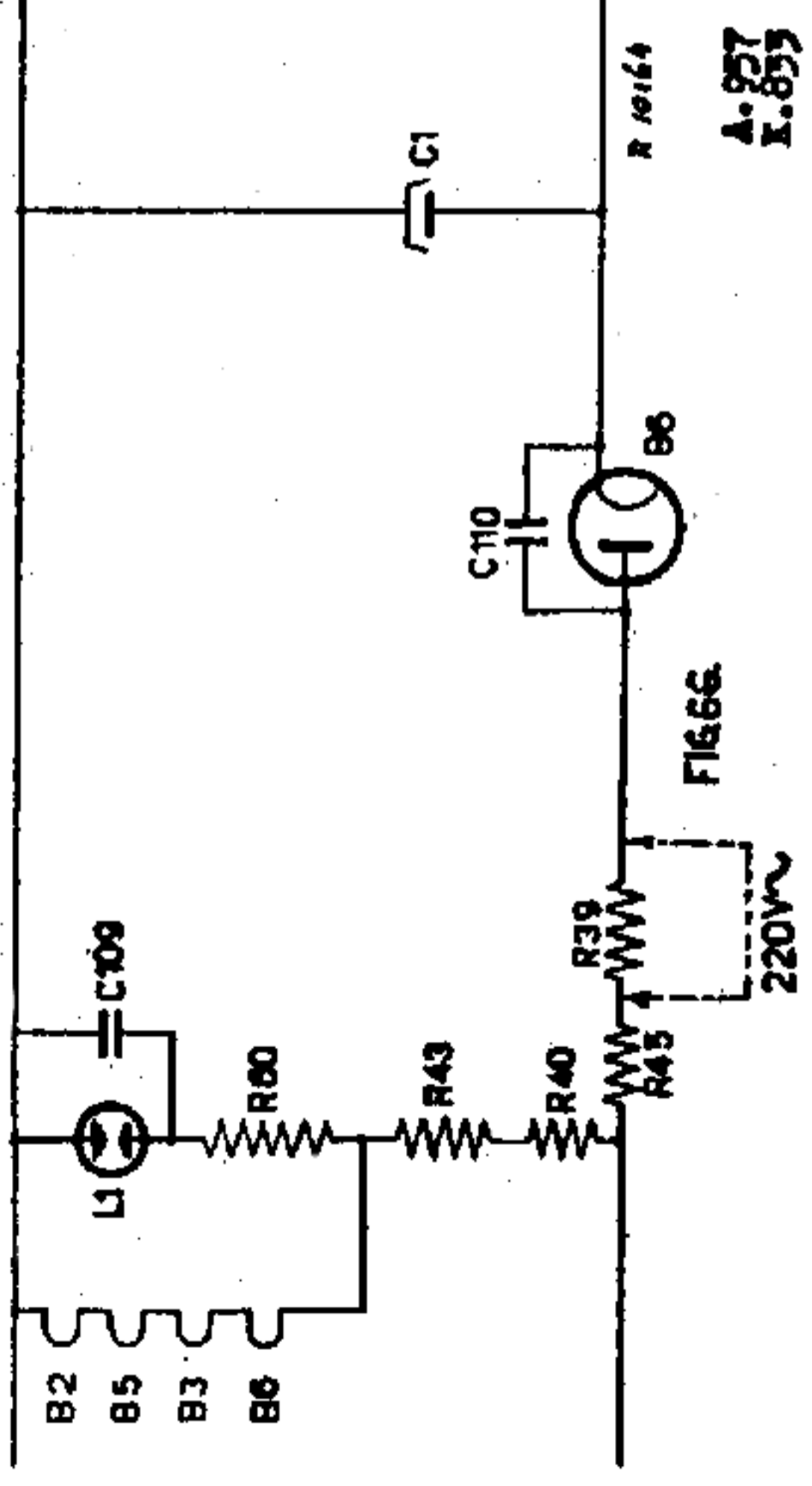
-10-46-48-49-

110V~ 125V



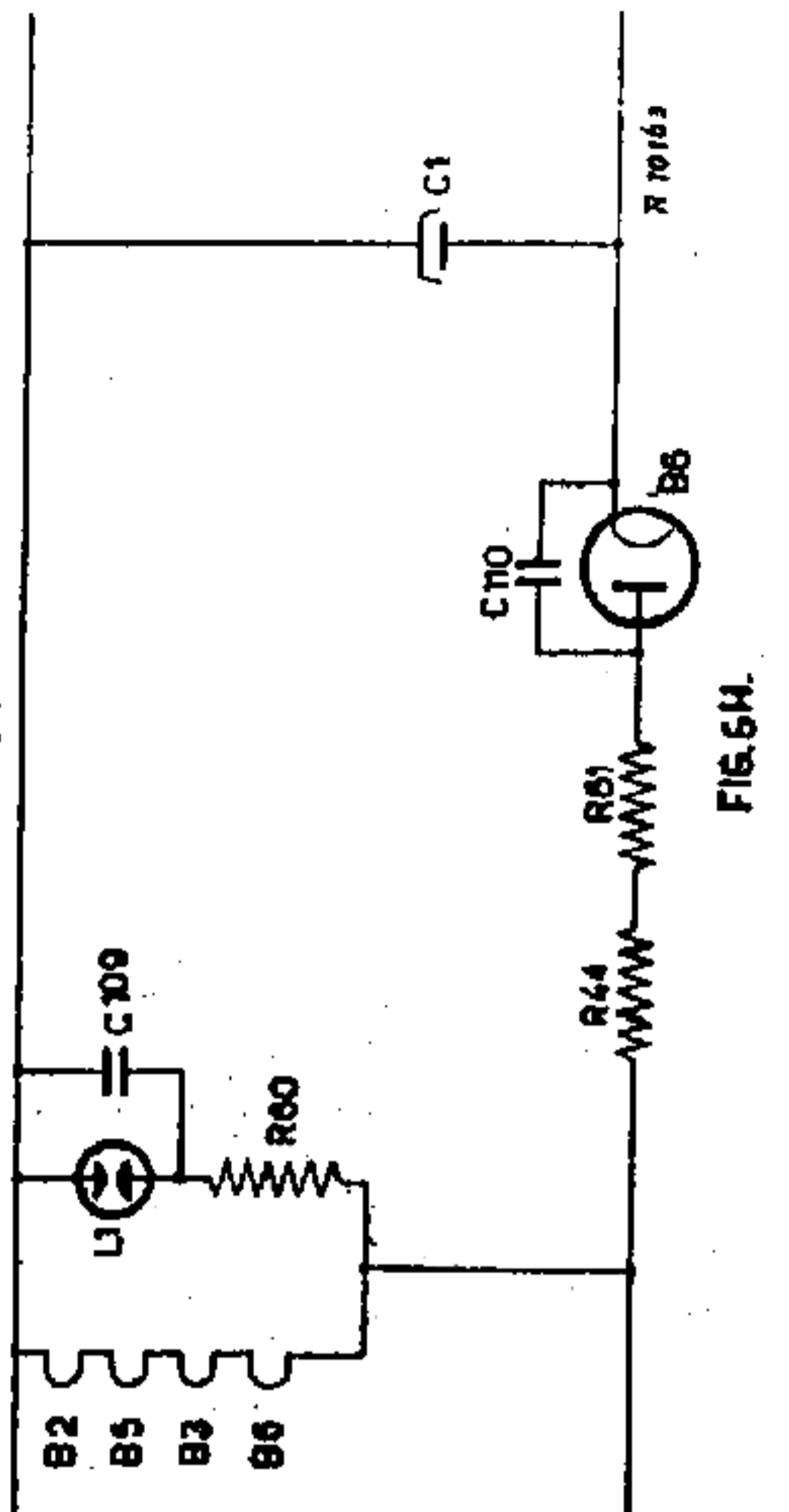
-47-

220V~ 220V



-47-

150V~



A: 957
K: 855

208U-10-46-47-48-49

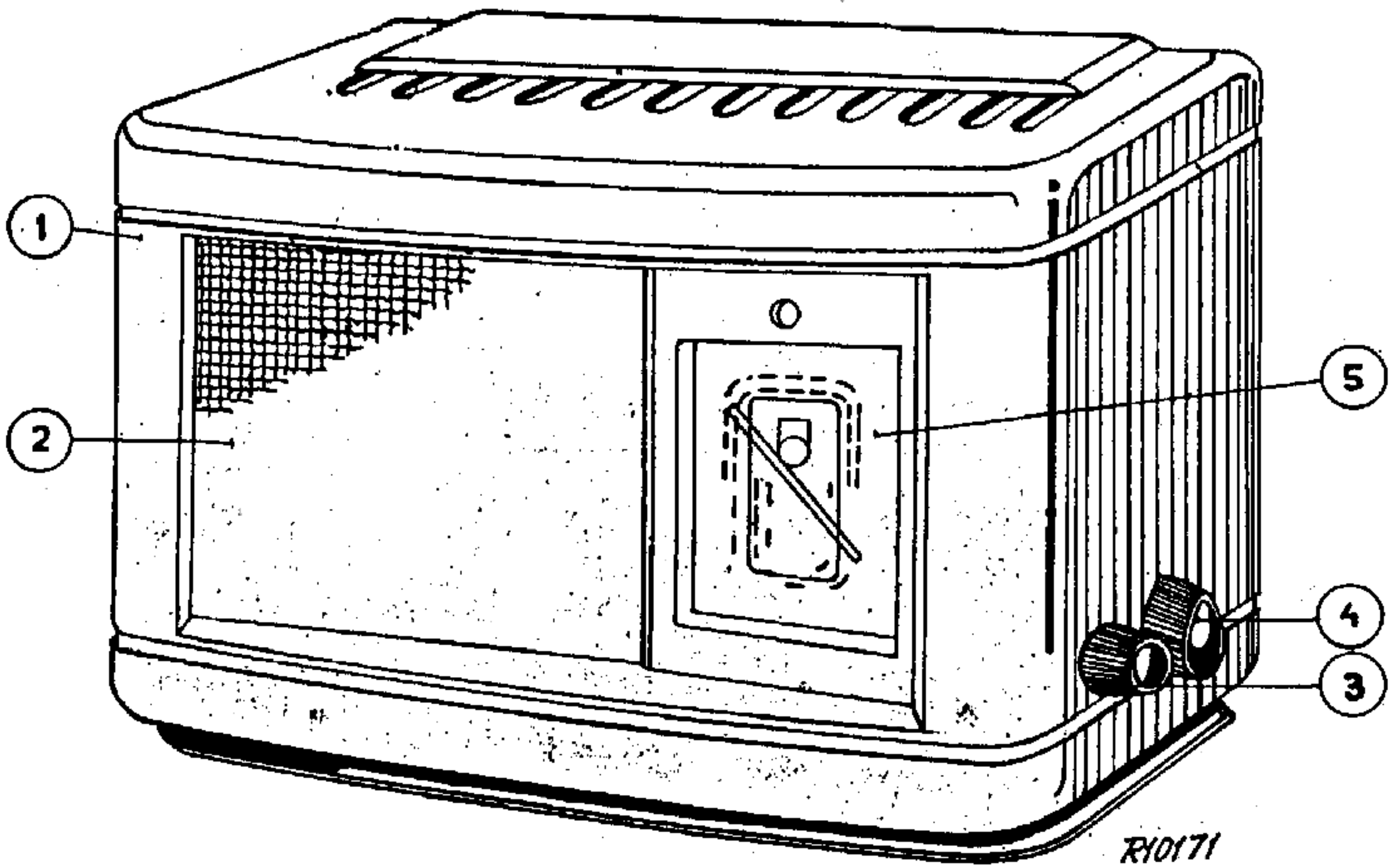


FIG. 7C.

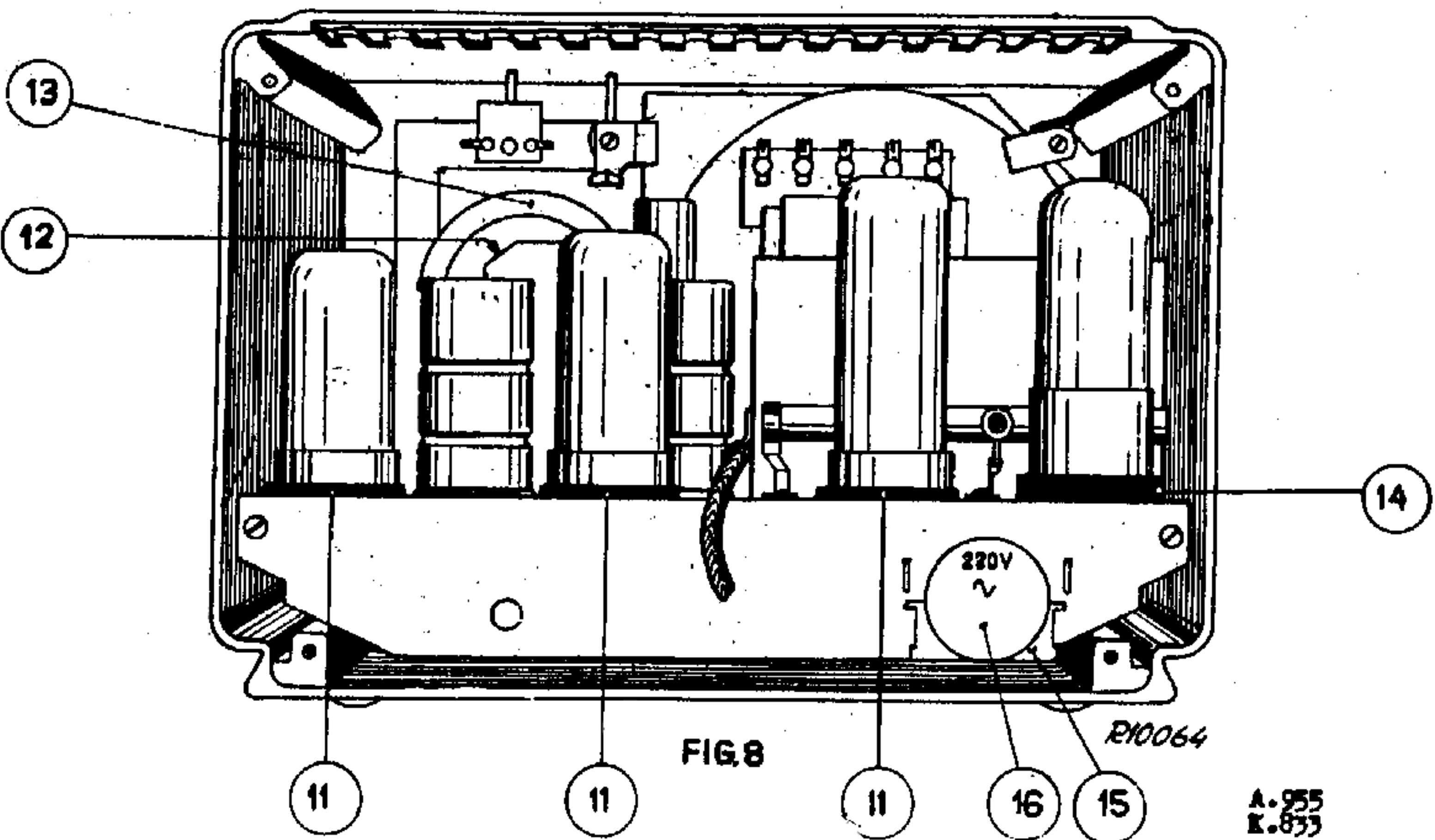
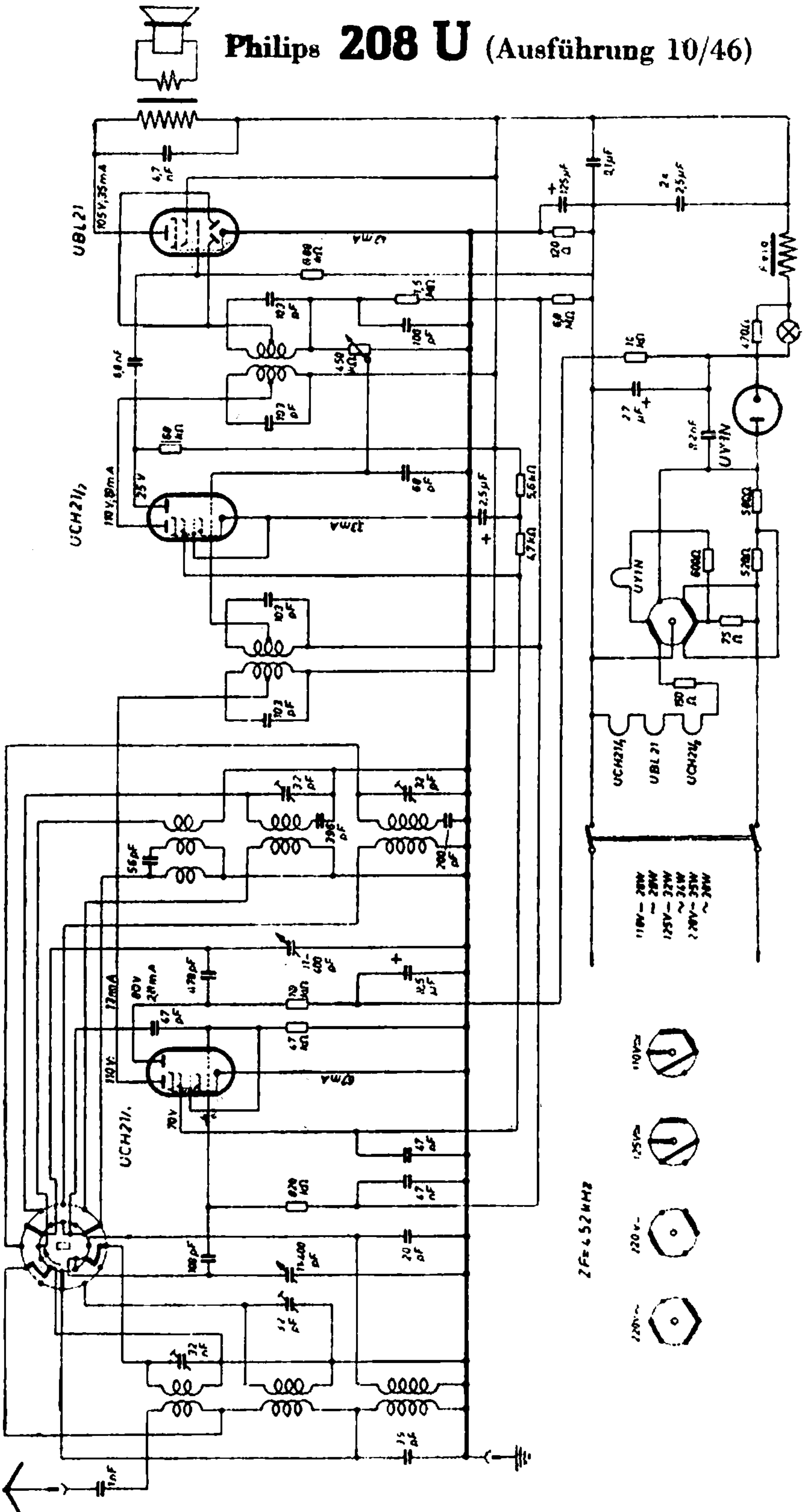


FIG. 8

A-955
E-853

Philips 208 U (Ausführung 10/46)



MCC ~ AR ?
 M9C ~ 37A
 M9E ~ 37A
 M9F ~ 37A
 M9G ~ 37A
 M9H ~ 37A
 M9I ~ 37A



ZFG 452 MM 2