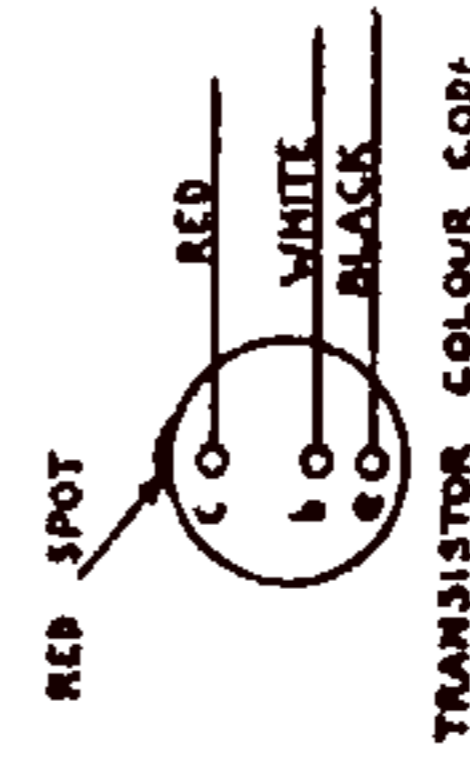
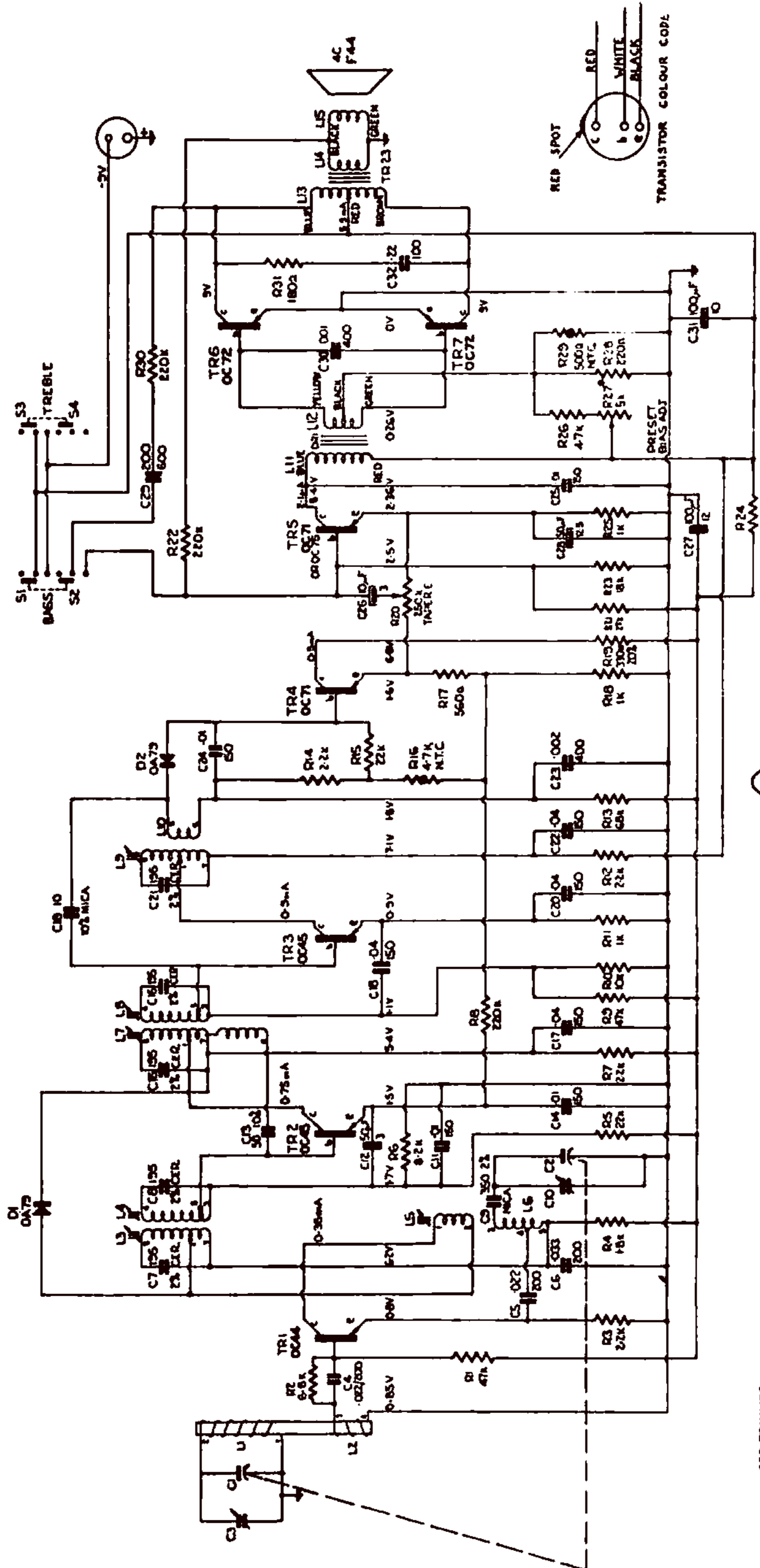




199

PHILIPS



TRANSISTOR COLOUR CODE



OSC. COIL

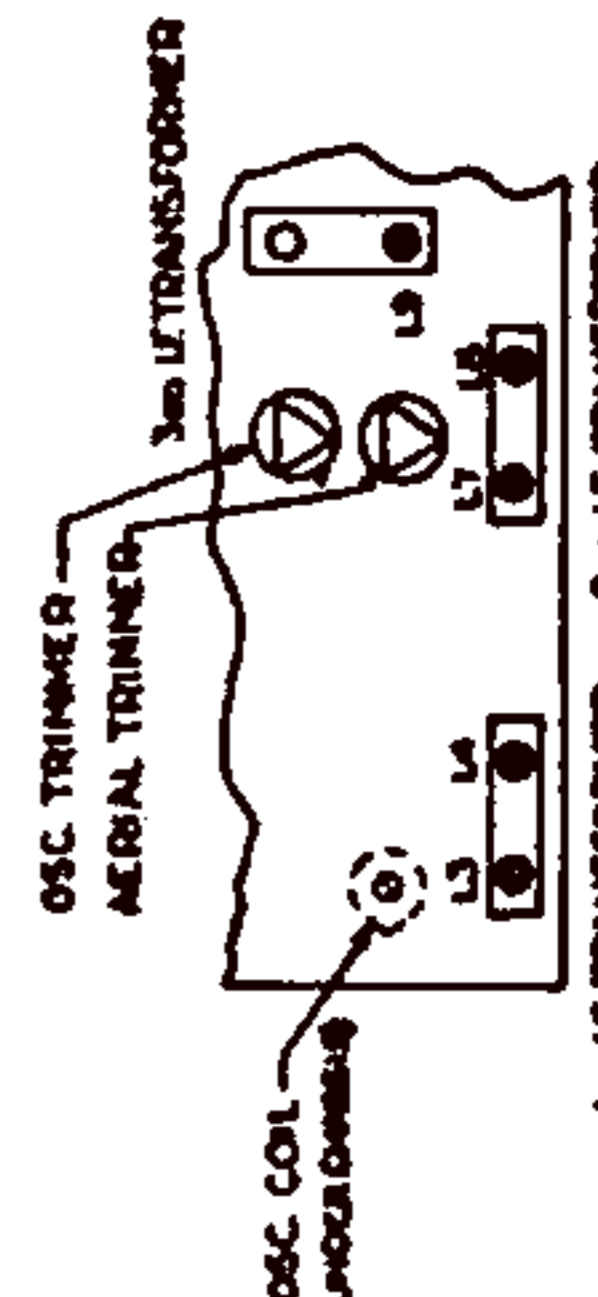


AERIAL COIL CONNECTIONS

CAPACITOR VALUES
WHOLE NUM. . . μF
DECIMALS . . . nF
TOLERANCE FOR UNLESS SHOWN.
LAST FIGURE . . . 0.5%
RESISTORS
1/4 W . . . 10% UNLESS OTHERWISE SHOWN.
VOLTAGES MEASURED WITH 20,000 Ω / V
METER, 10V RANGE.
* ADJUSTMENT FOR CURRENTS OF TR5 AND TR7



LF TRANSFORMER BASE



TRIMMER LAYOUT